



US00D515252S

(12) **United States Design Patent**  
**Dumbrell**

(10) **Patent No.:** **US D515,252 S**

(45) **Date of Patent:** **\*\* Feb. 14, 2006**

(54) **ANIMAL IDENTIFICATION TAG**

D463,630 S \* 9/2002 Halderman ..... D30/155

(75) **Inventor:** **Geoffrey Noel Dumbrell, Craigieburn (AU)**

\* cited by examiner

*Primary Examiner*—Alan P. Douglas

*Assistant Examiner*—Susan Moon Lee

(73) **Assignee:** **Leader Products Pty. Ltd. (AU)**

(74) *Attorney, Agent, or Firm*—Andrus, Scales, Starke & Sawall, LLP

(\*\*) **Term:** **14 Years**

(57) **CLAIM**

(21) **Appl. No.:** **29/215,352**

The ornamental design for an animal identification tag, as shown and described.

(22) **Filed:** **Oct. 18, 2004**

(51) **LOC (8) Cl.** ..... **30-08**

(52) **U.S. Cl.** ..... **D30/155**

(58) **Field of Classification Search** ..... D30/155;  
D30/D19/10; D20/43; 40/301, 300; 119/655;  
119/411/531; 606/117

See application file for complete search history.

**DESCRIPTION**

FIG. 1 is a front perspective view of the assembled animal identification tag;

FIG. 2 is an exploded front perspective view of the animal identification tag;

FIG. 3 is an exploded rear perspective of the animal identification tag;

FIG. 4 is a front view of the assembled animal identification tag;

FIG. 5 is a rear view of the assembled animal identification tag;

FIG. 6 is a plan view of the assembled animal identification tag;

FIG. 7 is an underneath view of the assembled animal identification tag; and,

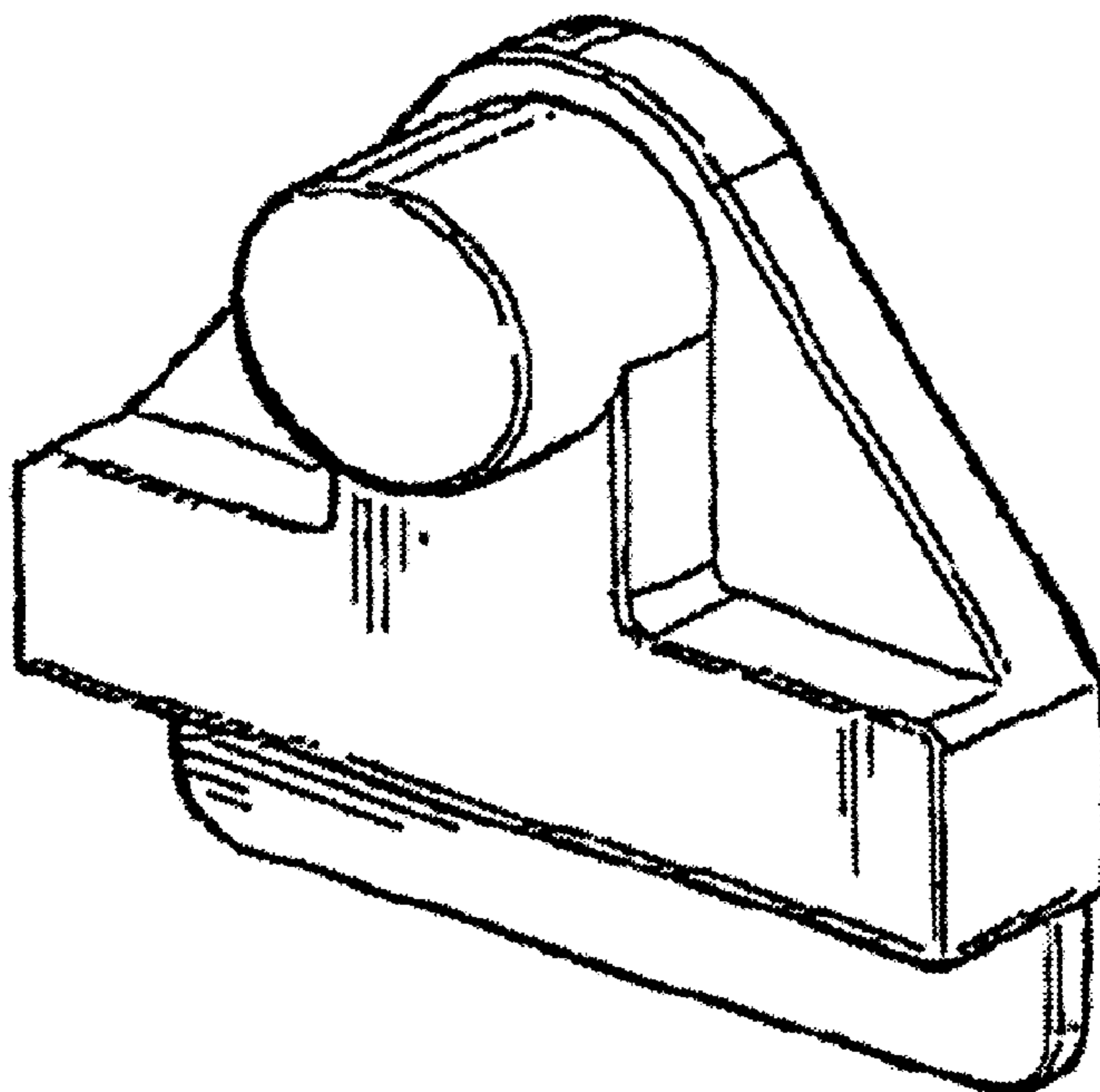
FIG. 8 is a side view of the assembled identification tag.

(56) **References Cited**

**U.S. PATENT DOCUMENTS**

|           |   |   |         |                |       |         |
|-----------|---|---|---------|----------------|-------|---------|
| 4,597,208 | A | * | 7/1986  | Chevillot      | ..... | 40/301  |
| 4,958,452 | A | * | 9/1990  | Tate           | ..... | 40/301  |
| D325,268  | S | * | 4/1992  | Wittick et al. | ..... | D30/155 |
| 5,357,700 | A | * | 10/1994 | Schulte        | ..... | 40/301  |
| 5,461,807 | A | * | 10/1995 | Johnson        | ..... | 40/301  |
| 5,667,515 | A | * | 9/1997  | Chu            | ..... | 606/116 |
| D393,490  | S | * | 4/1998  | Burch          | ..... | D20/43  |
| 6,055,752 | A | * | 5/2000  | Ritchey        | ..... | 40/301  |
| 6,098,324 | A | * | 8/2000  | Nepote         | ..... | 40/301  |

**1 Claim, 2 Drawing Sheets**



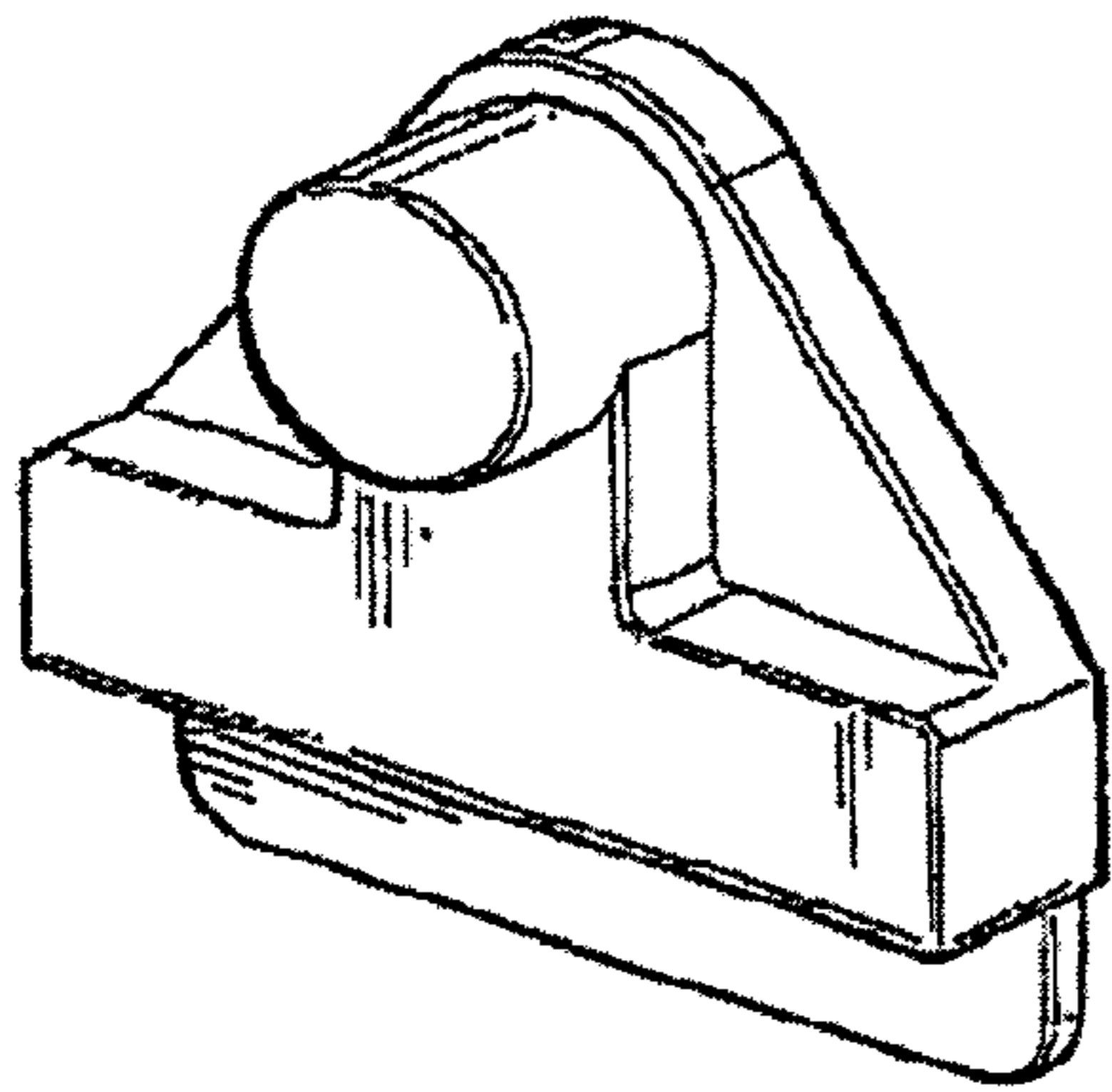


Fig. 1

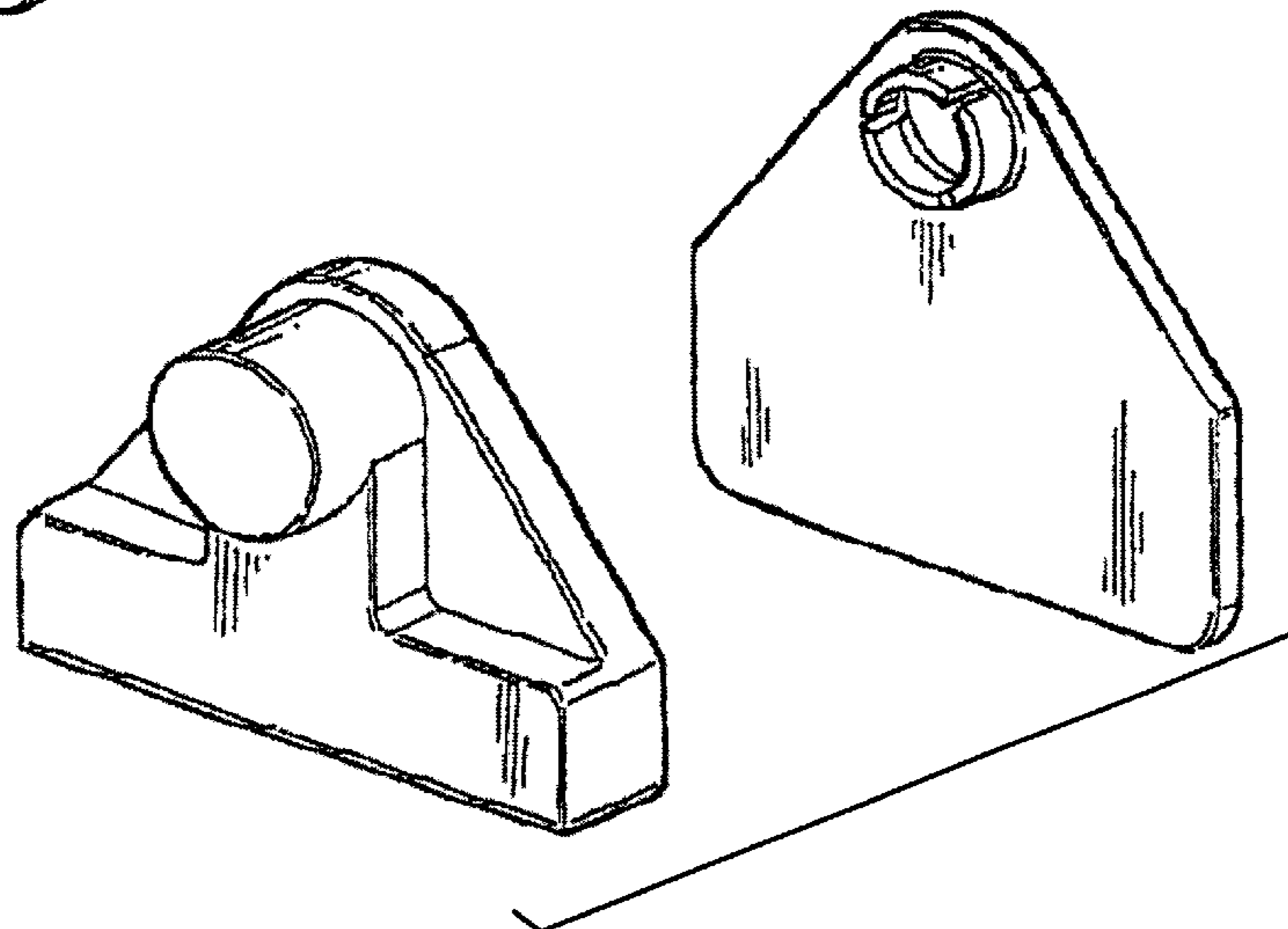


Fig. 2

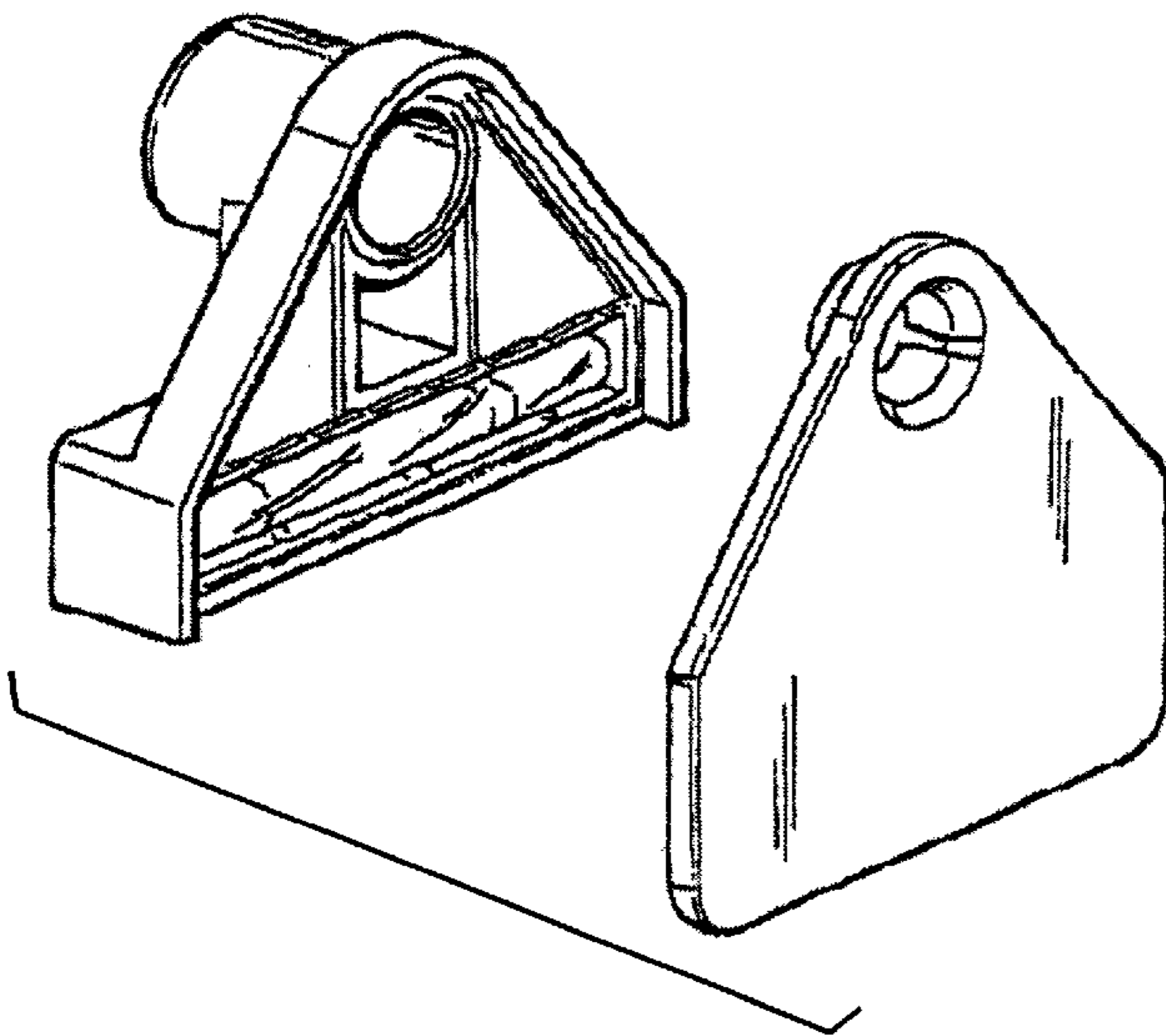


Fig. 3

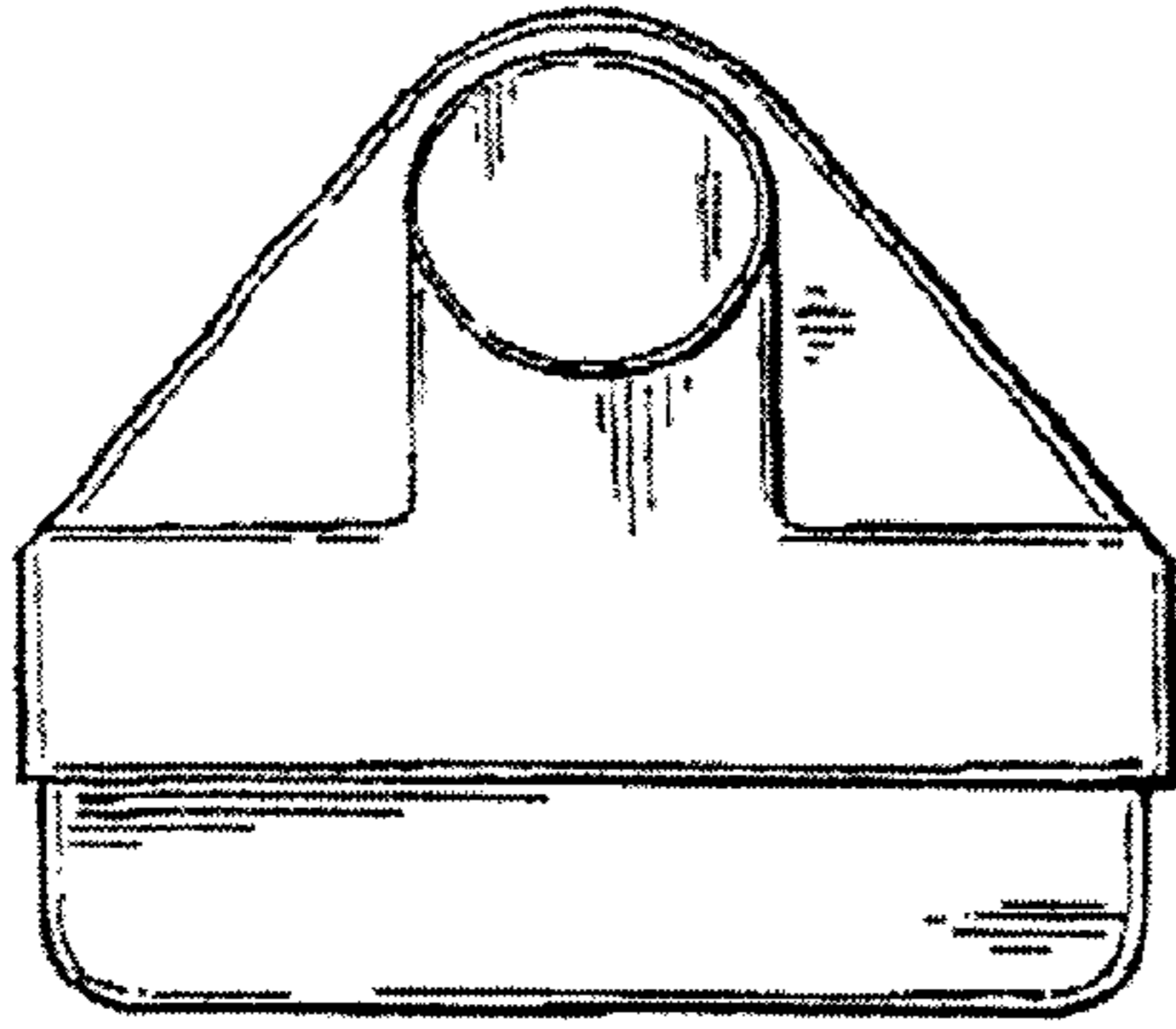


Fig. 4

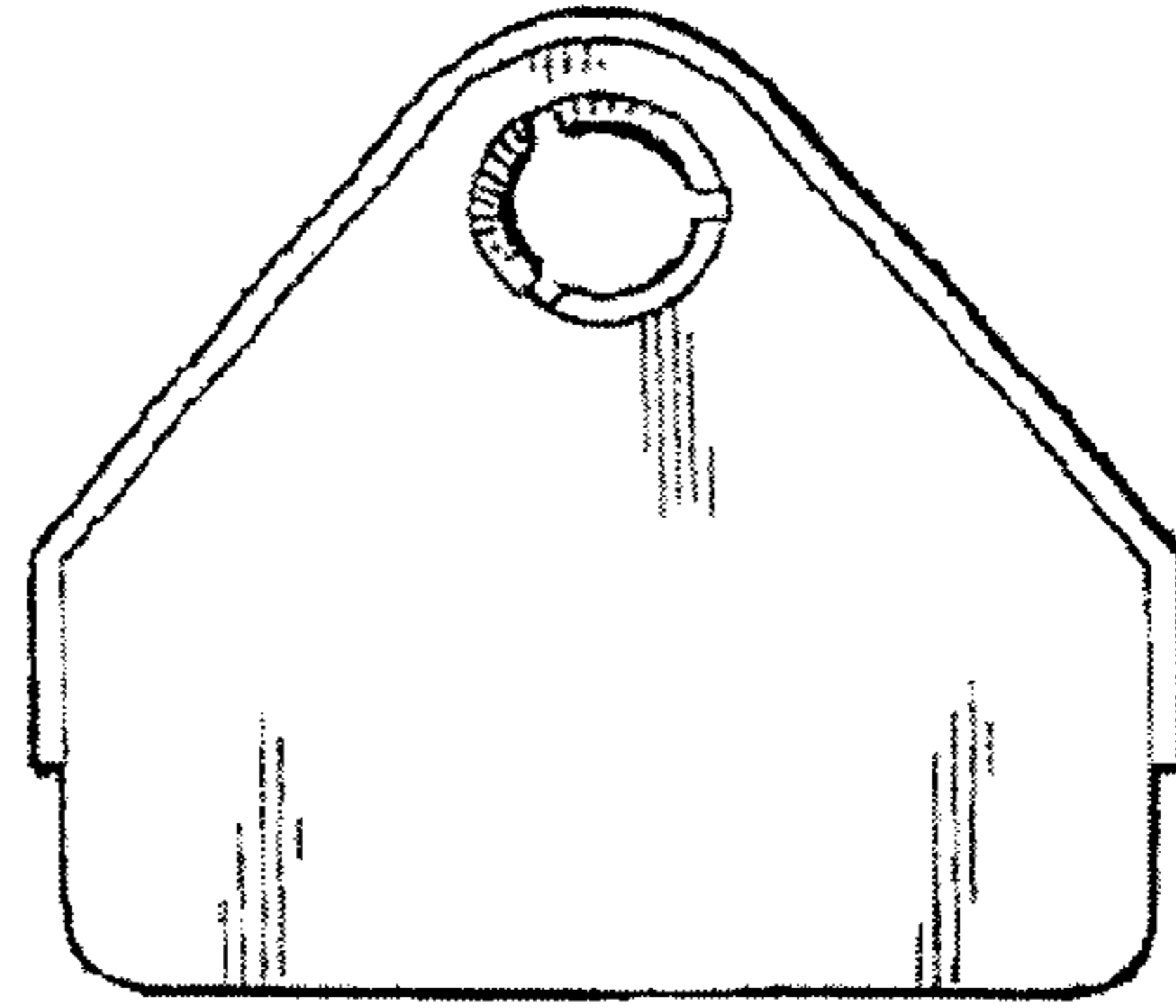


Fig. 5

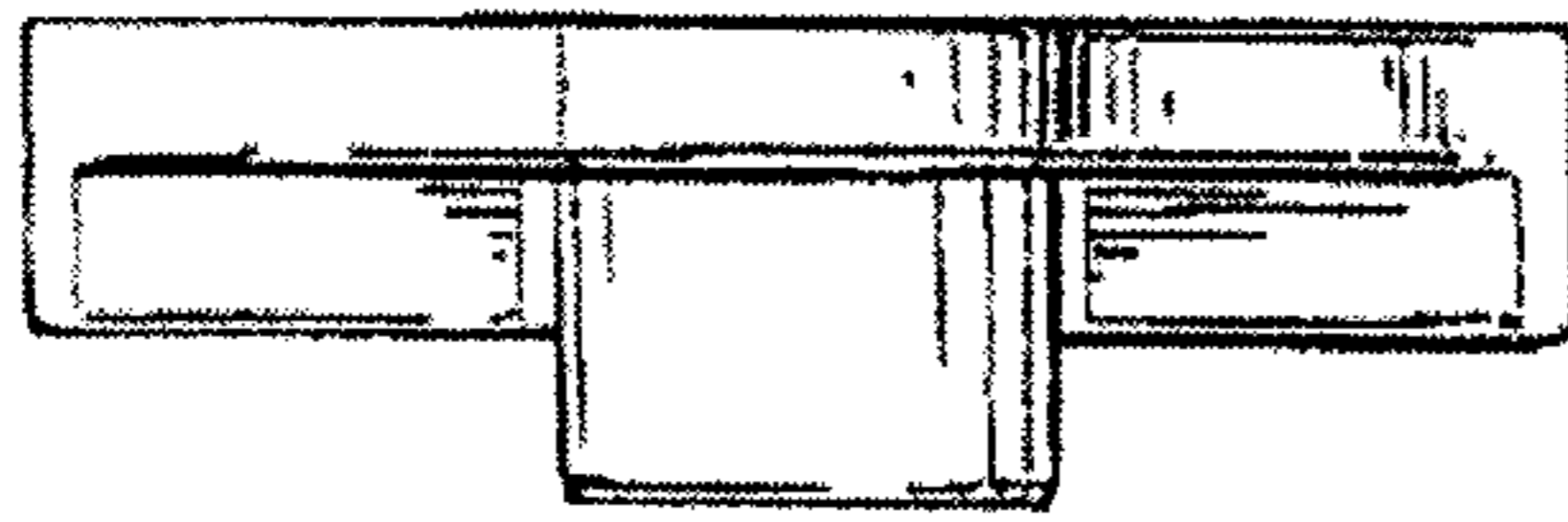


Fig. 6

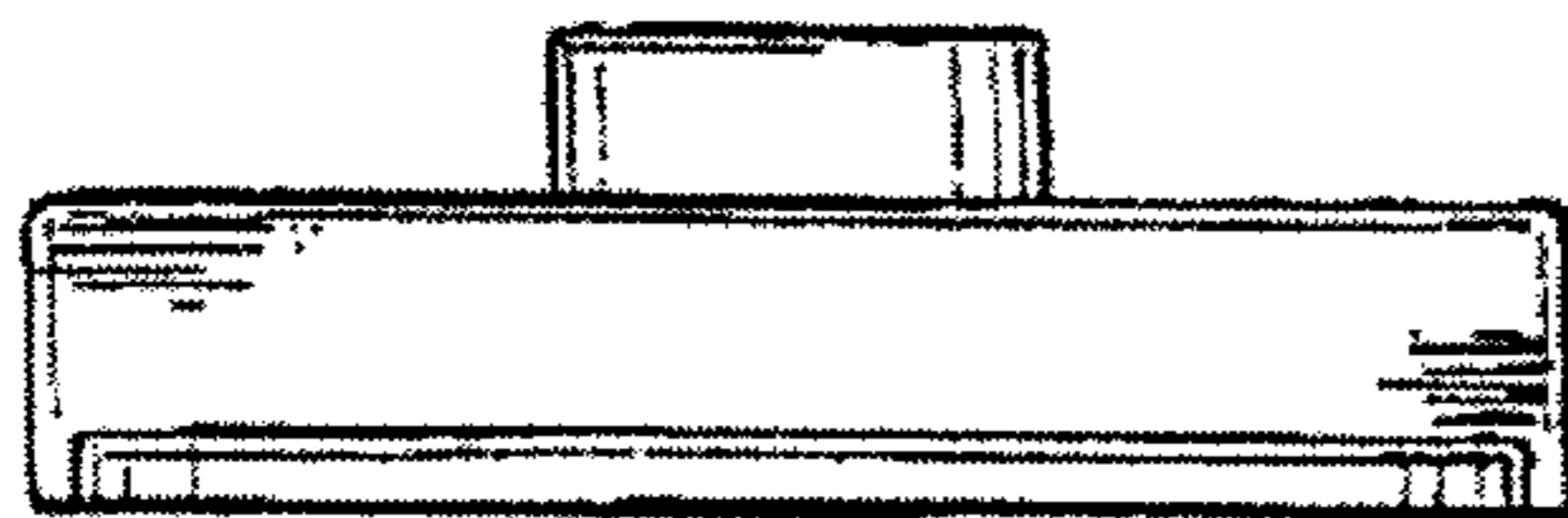


Fig. 7

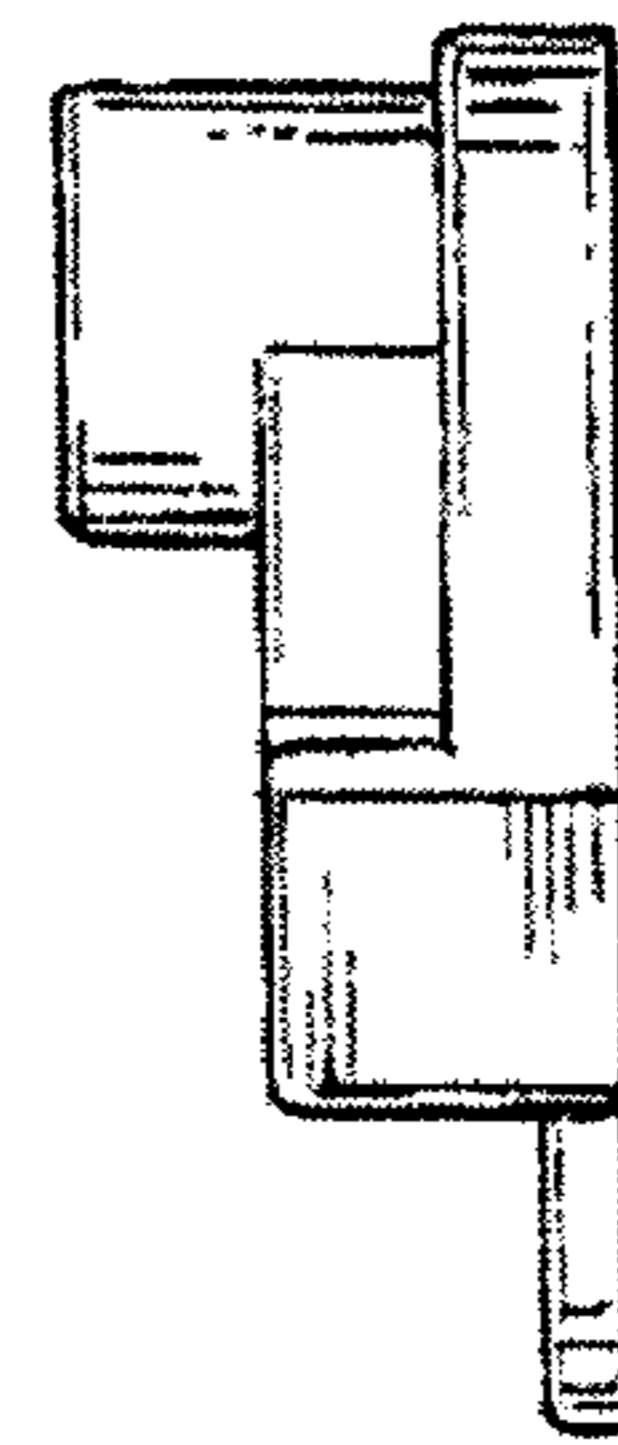


Fig. 8