

US00D515244S

(12) **United States Design Patent**
Bae

(10) **Patent No.:** **US D515,244 S**

(45) **Date of Patent:** **** Feb. 14, 2006**

(54) **EYE SHADOW CASE**

(75) **Inventor:** **Hae Dong Bae**, Anyang (KR)

(73) **Assignee:** **Taesung Industrial Co. Ltd.**, Anyang (KR)

(**) **Term:** **14 Years**

(21) **Appl. No.:** **29/201,451**

(22) **Filed:** **Mar. 16, 2004**

(30) **Foreign Application Priority Data**

Oct. 9, 2003 (KR) 30-2003-0028334

(51) **LOC (8) Cl.** **28-03**

(52) **U.S. Cl.** **D28/83**

(58) **Field of Classification Search** D28/76-84,
D28/91; 132/293-307, 313-318, 320; 206/581,
206/823

See application file for complete search history.

(56) **References Cited**

U.S. PATENT DOCUMENTS

1,983,083 A * 12/1934 Irelan 132/318

3,637,278 A * 1/1972 Easterbrooks D28/83
4,526,273 A * 7/1985 Tsuji et al. 206/581
D308,756 S * 6/1990 Turner D28/83

* cited by examiner

Primary Examiner—Jennifer Rivard

(74) *Attorney, Agent, or Firm*—Mayer, Brown, Rowe & Maw LLP

(57) **CLAIM**

The ornamental design for eye shadow case, as shown and described.

DESCRIPTION

FIG. 1 is perspective view of the eye shadow case;
FIG. 2 is a front view thereof;
FIG. 3 is a rear view thereof;
FIG. 4 is a left side view thereof;
FIG. 5 is a right side view thereof;
FIG. 6 is a top plan view thereof;
FIG. 7 is a bottom plan view thereof; and,
FIG. 8 is an exploded view thereof.

1 Claim, 8 Drawing Sheets

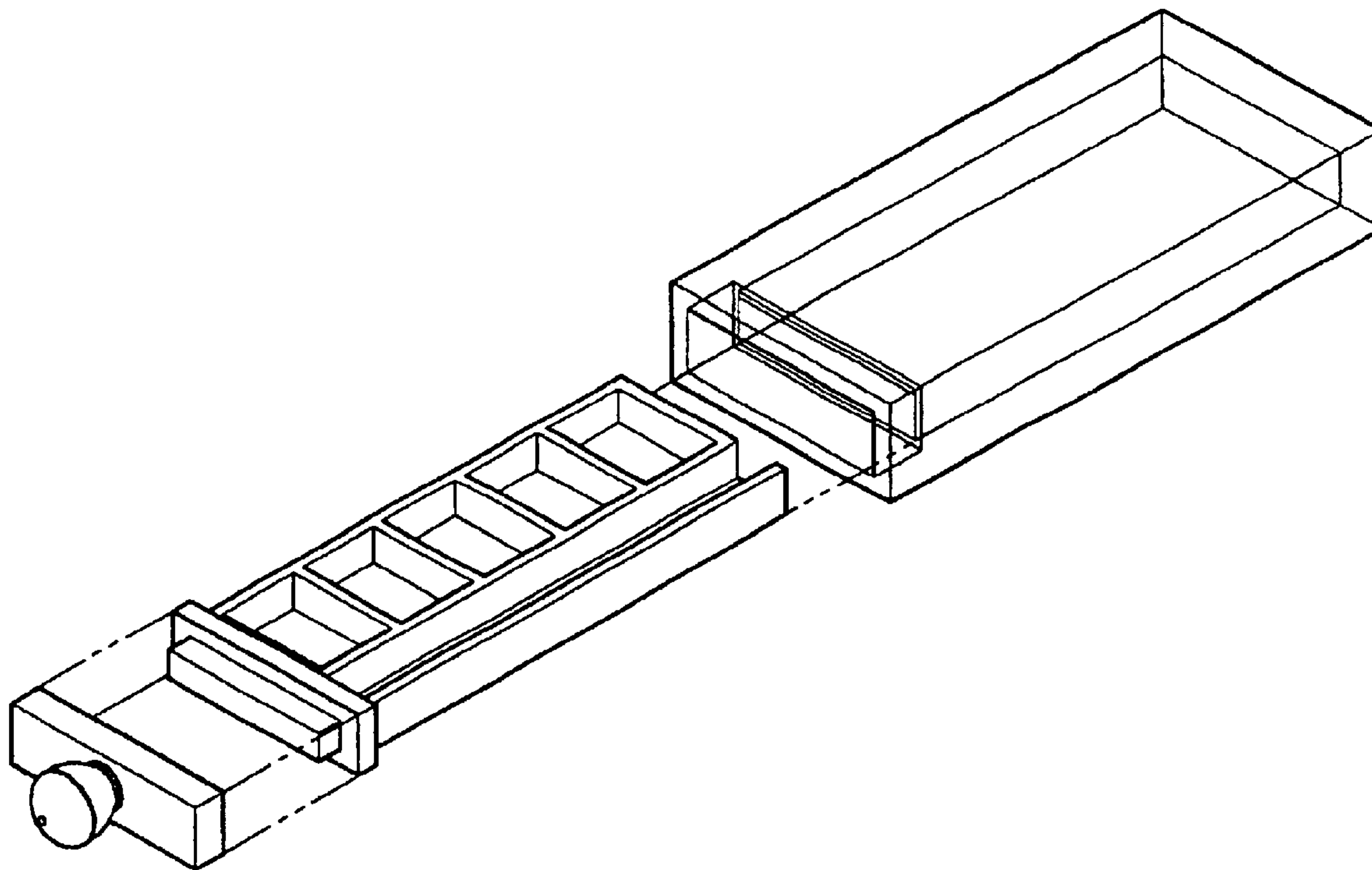


FIG. 1

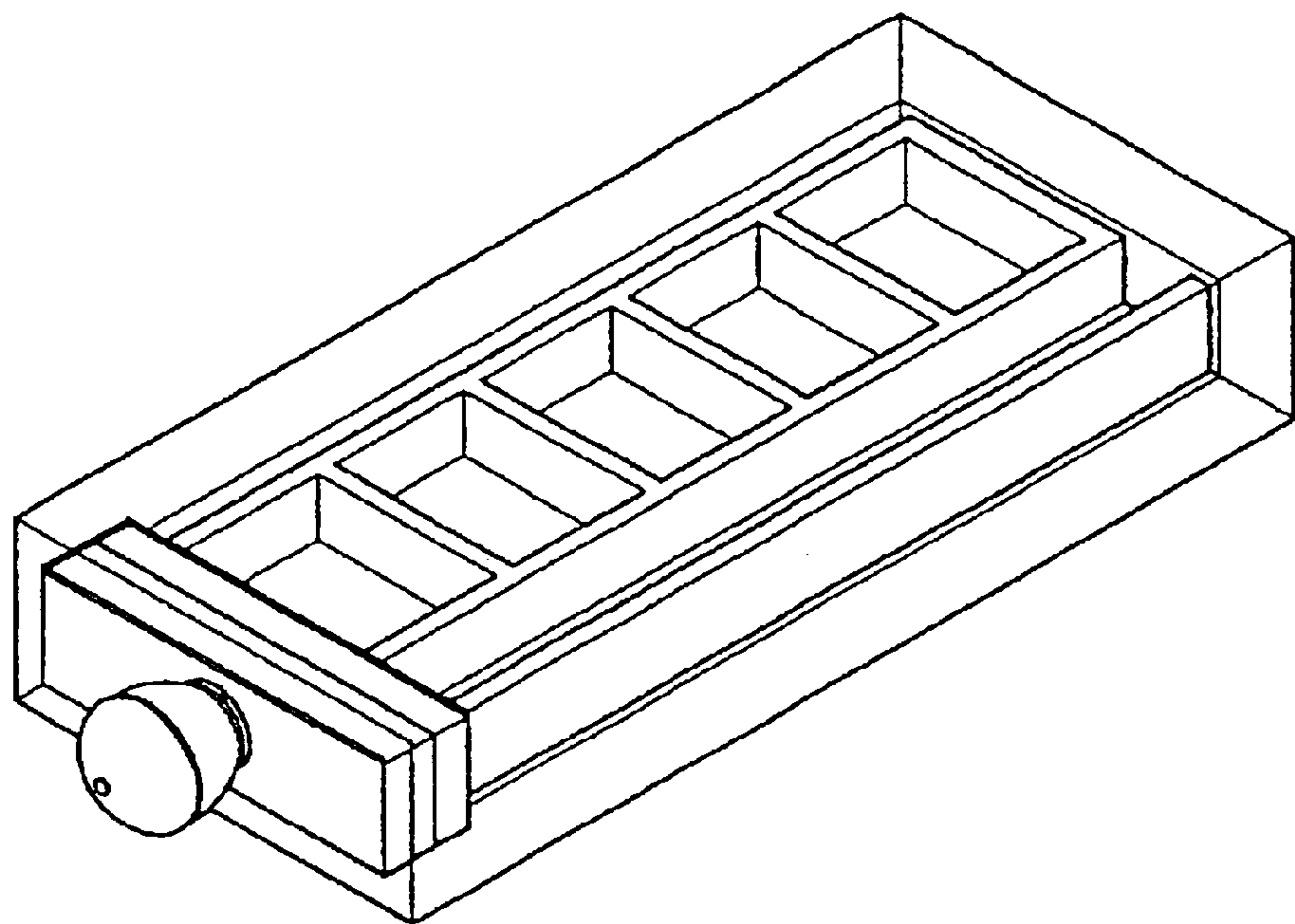


FIG. 2

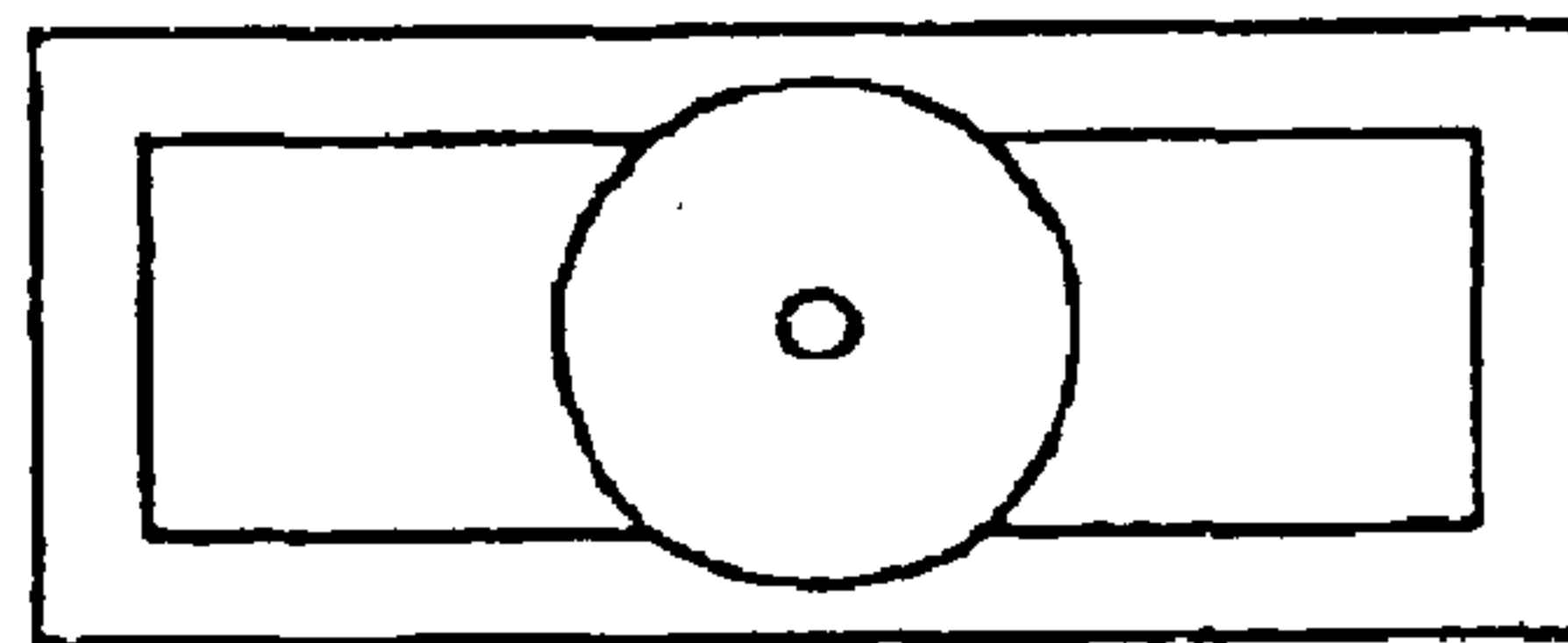


FIG. 3

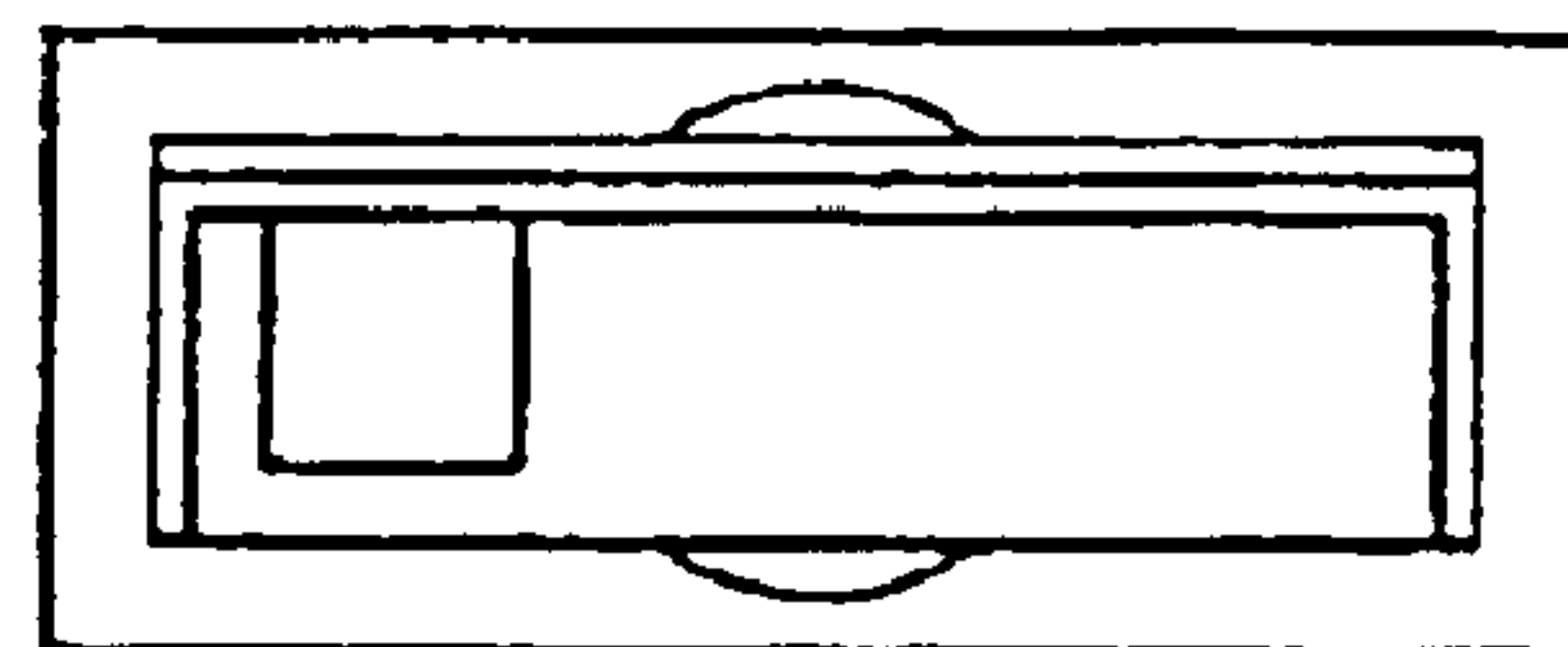


FIG. 4

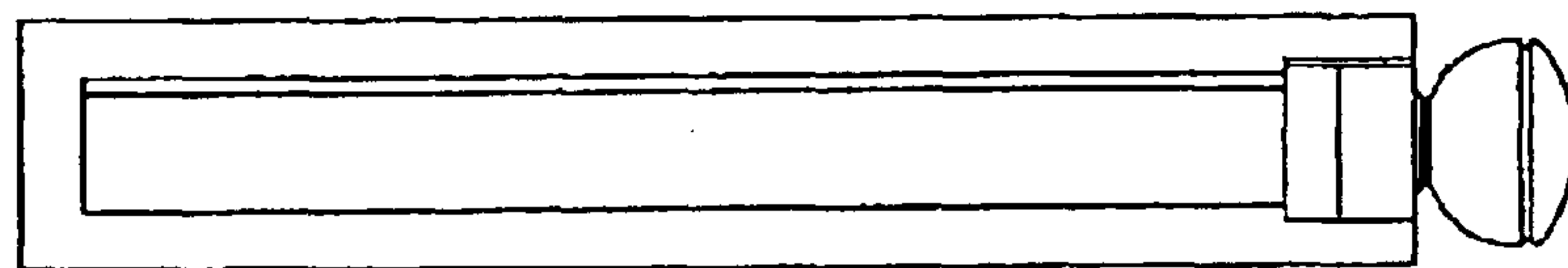


FIG. 5

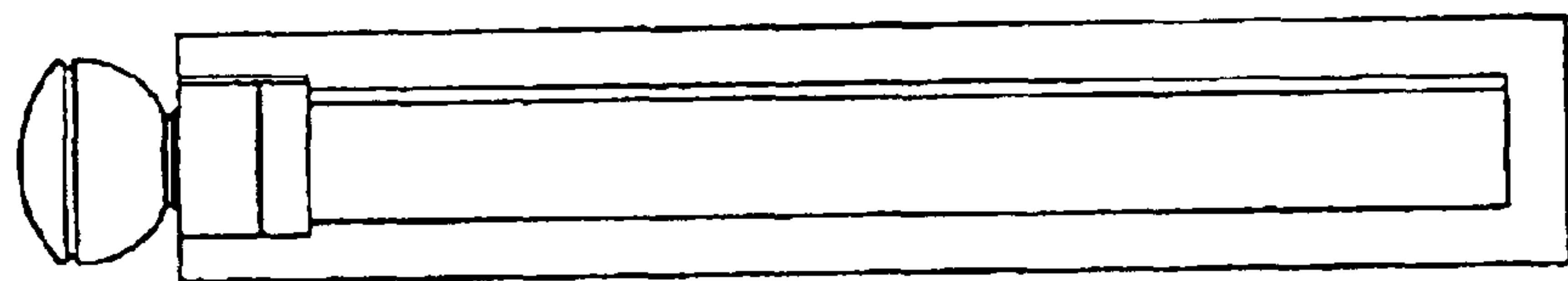


FIG. 6

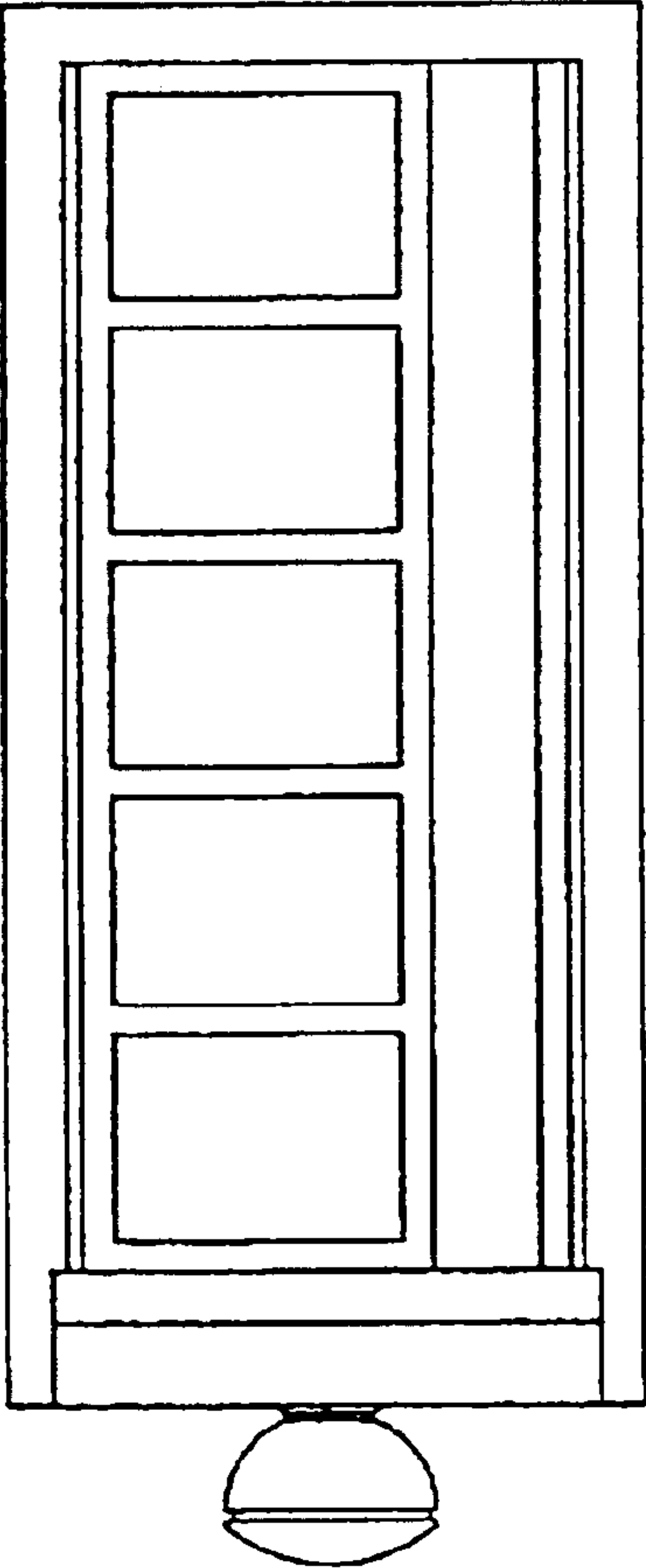


FIG. 7

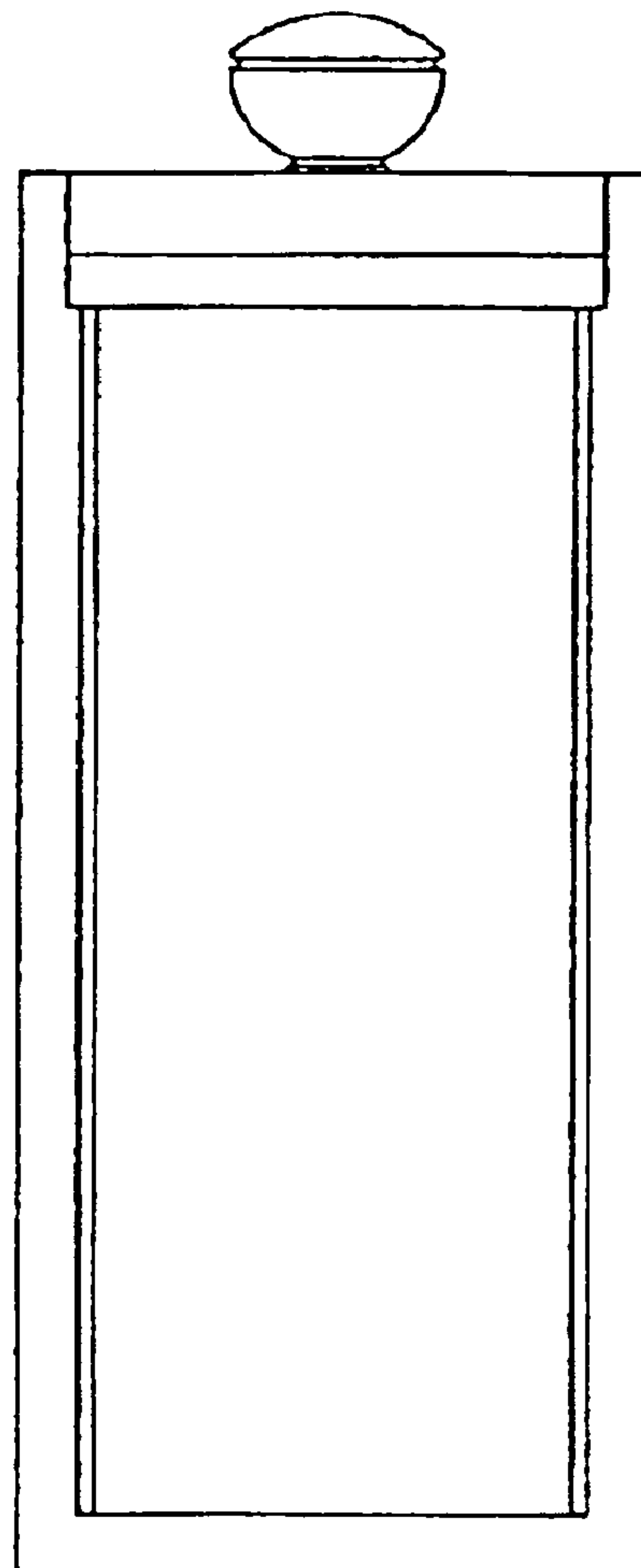


Fig 8

