



US00D515241S

(12) **United States Design Patent**
Cafaro

(10) **Patent No.:** **US D515,241 S**

(45) **Date of Patent:** **** Feb. 14, 2006**

(54) **HAIR STYLING DEVICE**

2003/0056803 A1 * 3/2003 Lin 132/232

(75) Inventor: **Michael Cafaro**, El Paso, TX (US)

* cited by examiner

(73) Assignee: **Helen of Troy L.P.**, El Paso, TX (US)

Primary Examiner—Jennifer Rivard

(74) *Attorney, Agent, or Firm*—Vinson & Elkins L.L.P.

(**) Term: **14 Years**

(57) **CLAIM**

(21) Appl. No.: **29/220,972**

The ornamental design for a hair styling device, as shown and described.

(22) Filed: **Jan. 6, 2005**

DESCRIPTION

(51) **LOC (8) Cl.** **28-03**

(52) **U.S. Cl.** **D28/35**

(58) **Field of Classification Search** D28/35-37;
132/223-226, 229, 232, 269, 271; 219/222,
219/225, 226

FIG. 1 is a top plan view of a hair styling device design.
FIG. 2 is a right side elevation of a hair styling device design. The left side elevation is a mirror image of the right side and is not shown.

See application file for complete search history.

FIG. 3 is a rear elevation of a hair styling device design.
FIG. 4 is a front elevation of a hair styling device design.
FIG. 5 is a perspective view of a hair styling device design; and,

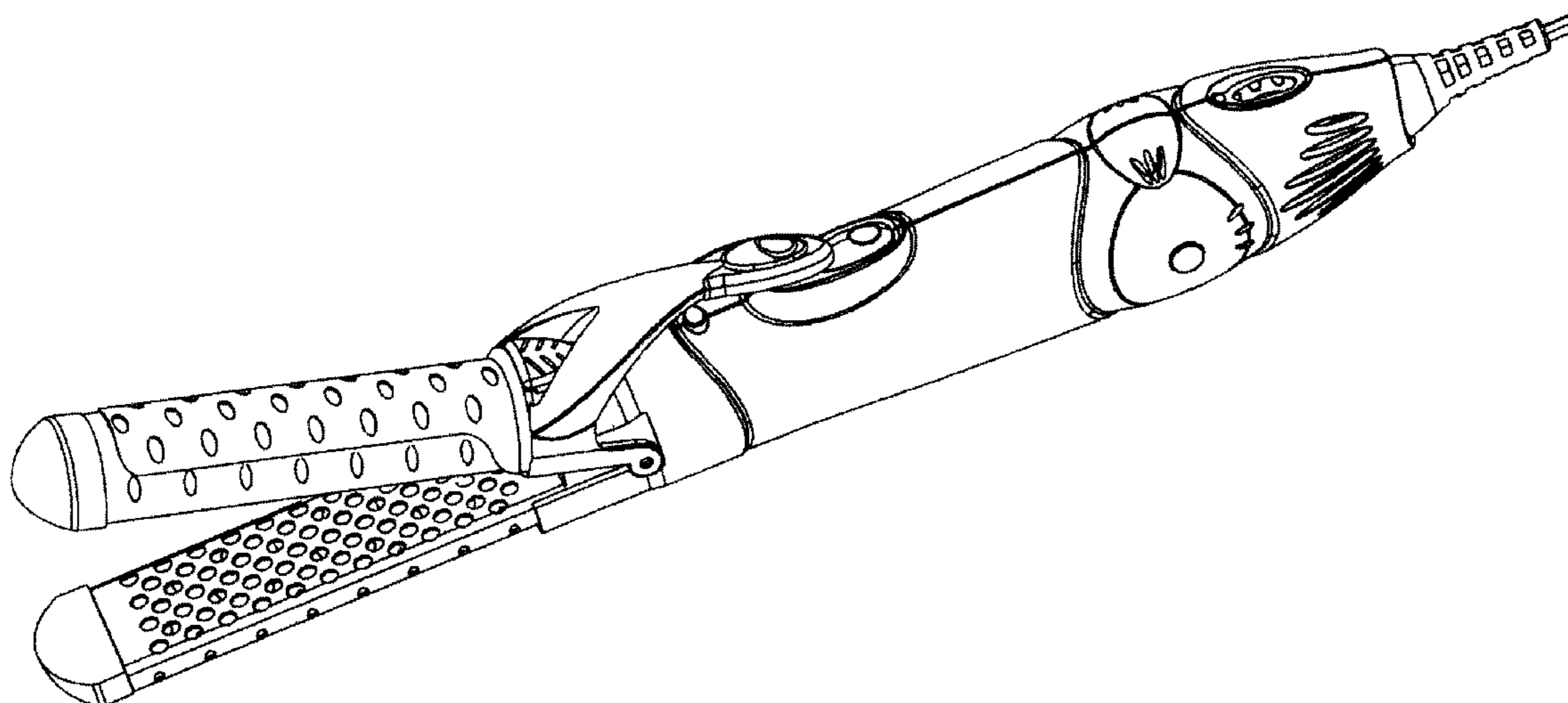
(56) **References Cited**

FIG. 6 is a perspective view of a hair styling device design in an alternative position.

U.S. PATENT DOCUMENTS

4,520,256 A * 5/1985 Doyle 219/225
D469,576 S * 1/2003 Spagnolo D28/35

1 Claim, 3 Drawing Sheets



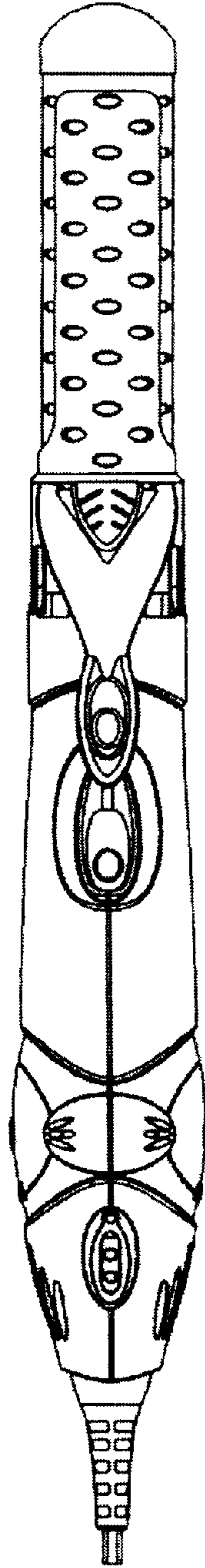


FIG. 1

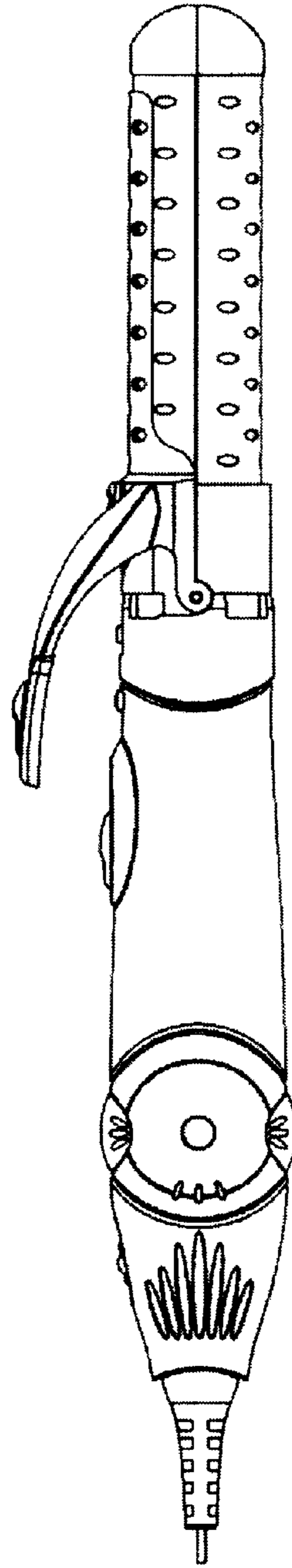


FIG. 2

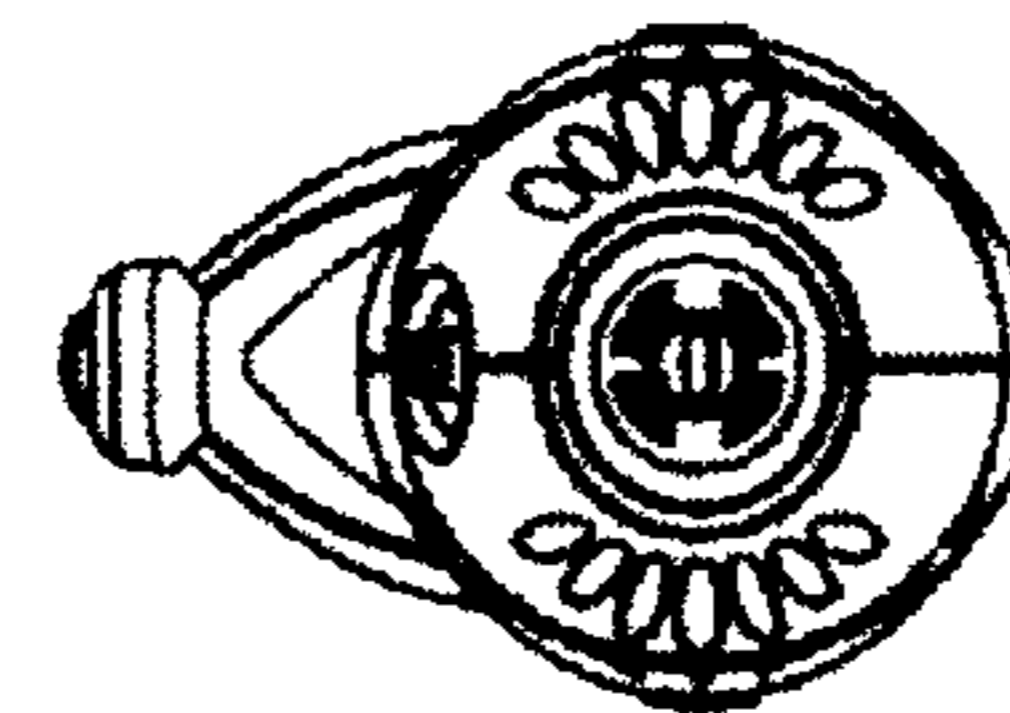


FIG. 3

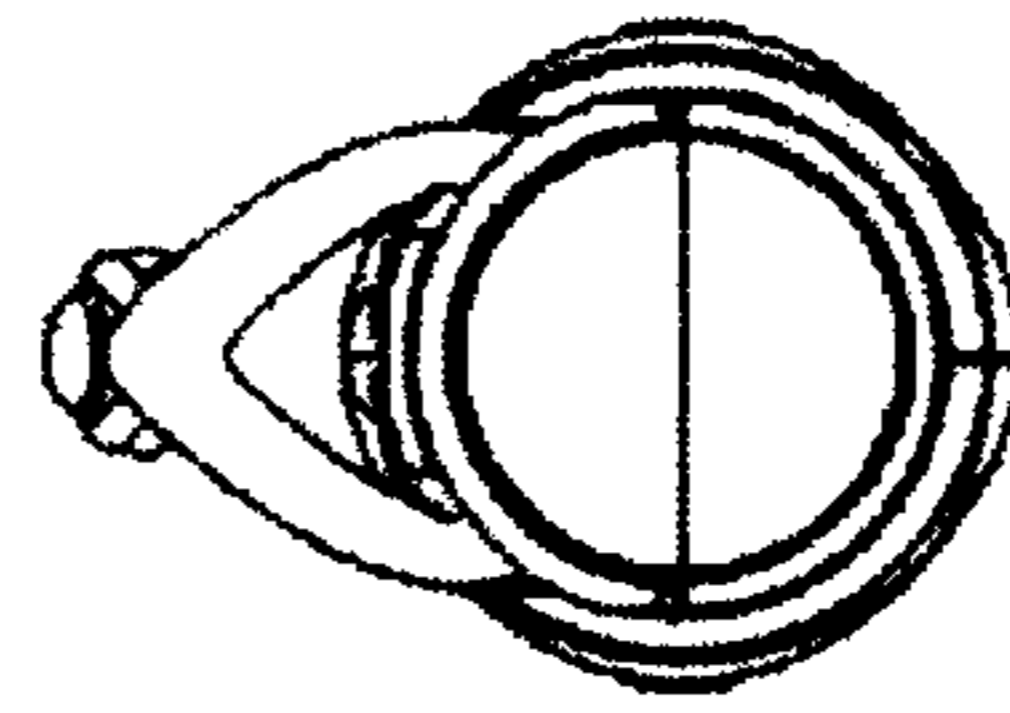


FIG. 4

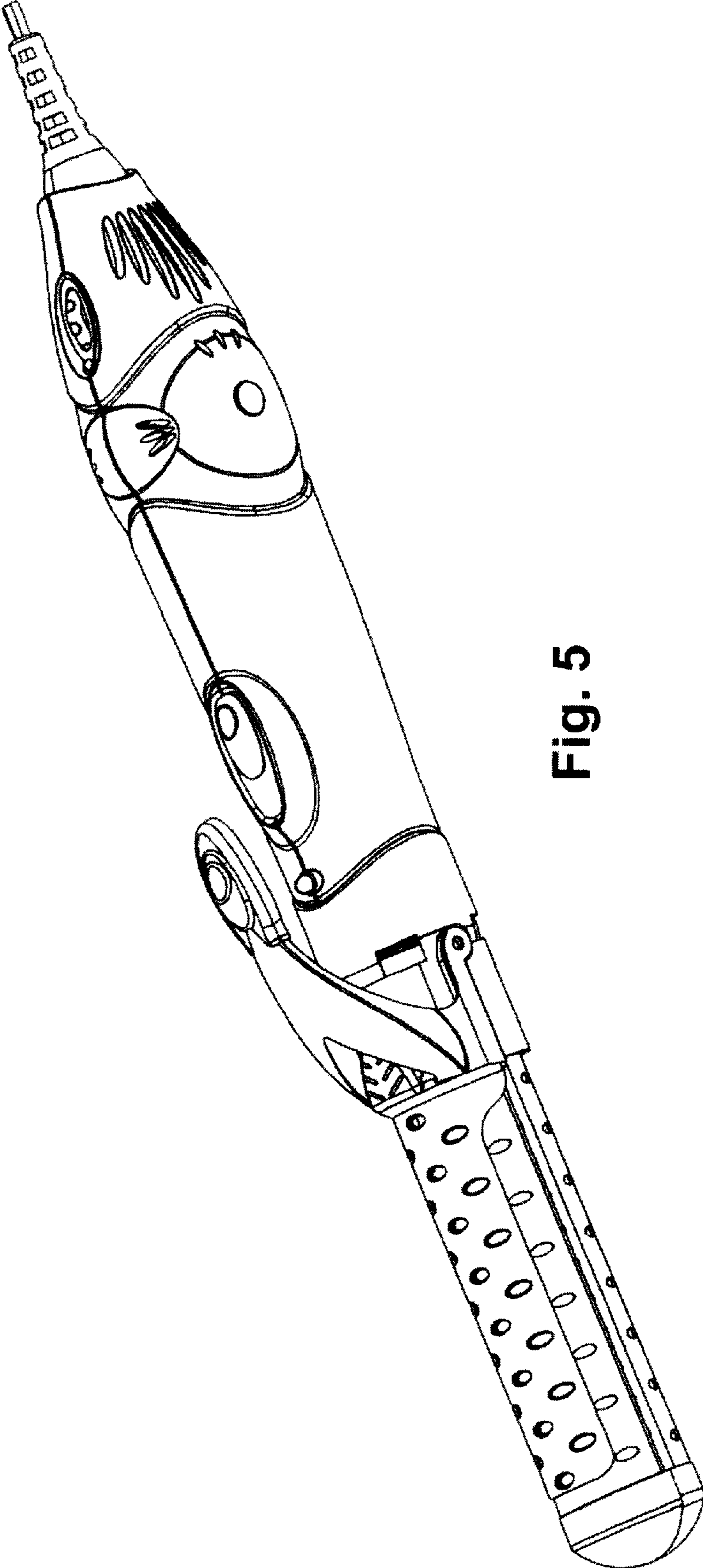


Fig. 5

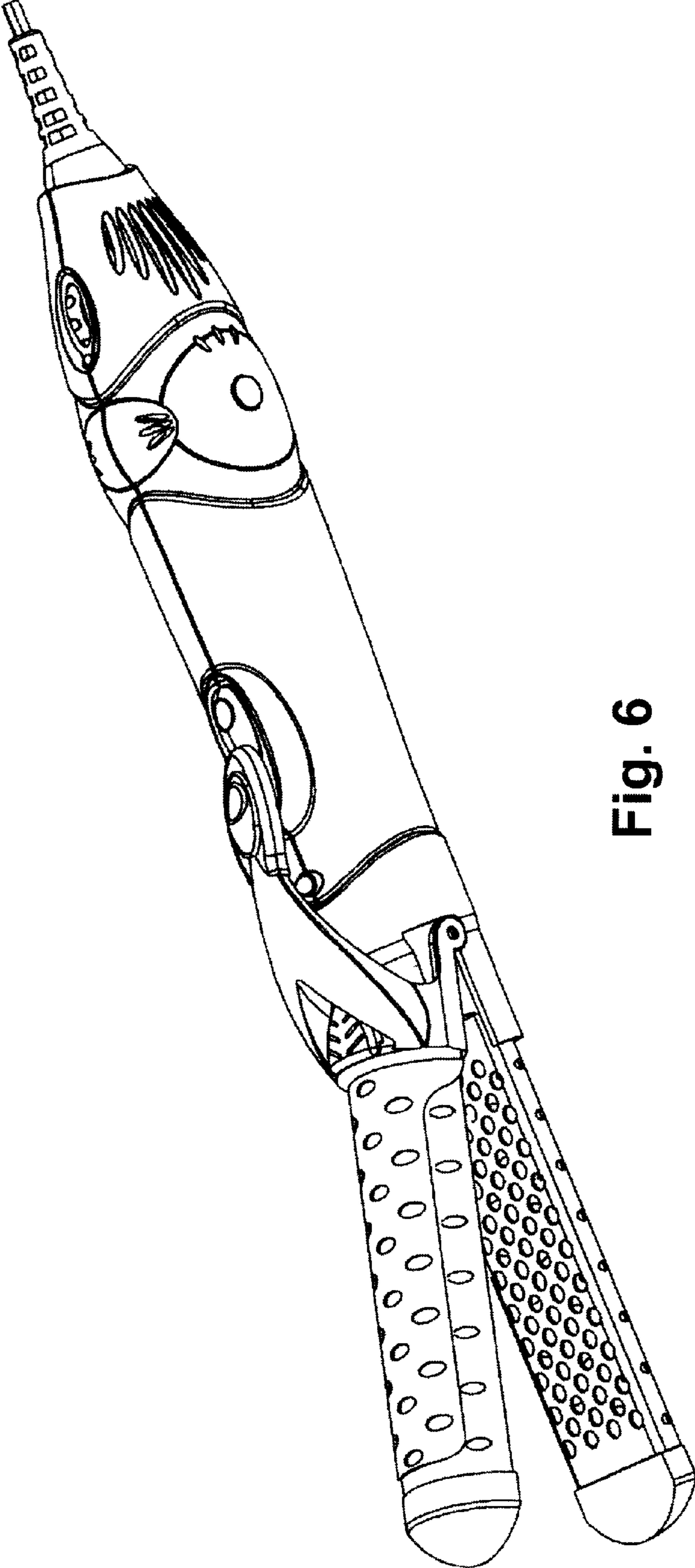


Fig. 6