



US00D515239S

(12) **United States Design Patent**  
**Lin**

(10) **Patent No.:** **US D515,239 S**

(45) **Date of Patent:** **\*\* Feb. 14, 2006**

(54) **RACE CAR LIGHTER**

D429,844 S \* 8/2000 Harrison ..... D27/148

(76) **Inventor:** **Rong Lin**, 109 Kings Mountain Dr.,  
Greer, SC (US) 29650

(\*\*) **Term:** **14 Years**

(21) **Appl. No.:** **29/214,322**

(22) **Filed:** **Oct. 1, 2004**

(51) **LOC (8) Cl.** ..... **27-05**

(52) **U.S. Cl.** ..... **D27/148**

(58) **Field of Classification Search** ..... D27/141-143,  
D27/148, 154-157; D21/549, 550; 431/125,  
431/126, 151, 153, 253-255, 273-277  
See application file for complete search history.

(56) **References Cited**

**U.S. PATENT DOCUMENTS**

- 4,522,583 A \* 6/1985 Kraser ..... 431/253
- D291,336 S \* 8/1987 Beiser et al. .... D21/549
- D363,567 S \* 10/1995 Feeley et al. .... D27/148
- D415,800 S \* 10/1999 Norton ..... D21/549

**OTHER PUBLICATIONS**

Novelty car lighters, The Legend of the Lighter, Dec. 1995.\*

\* cited by examiner

*Primary Examiner*—Jennifer Rivard

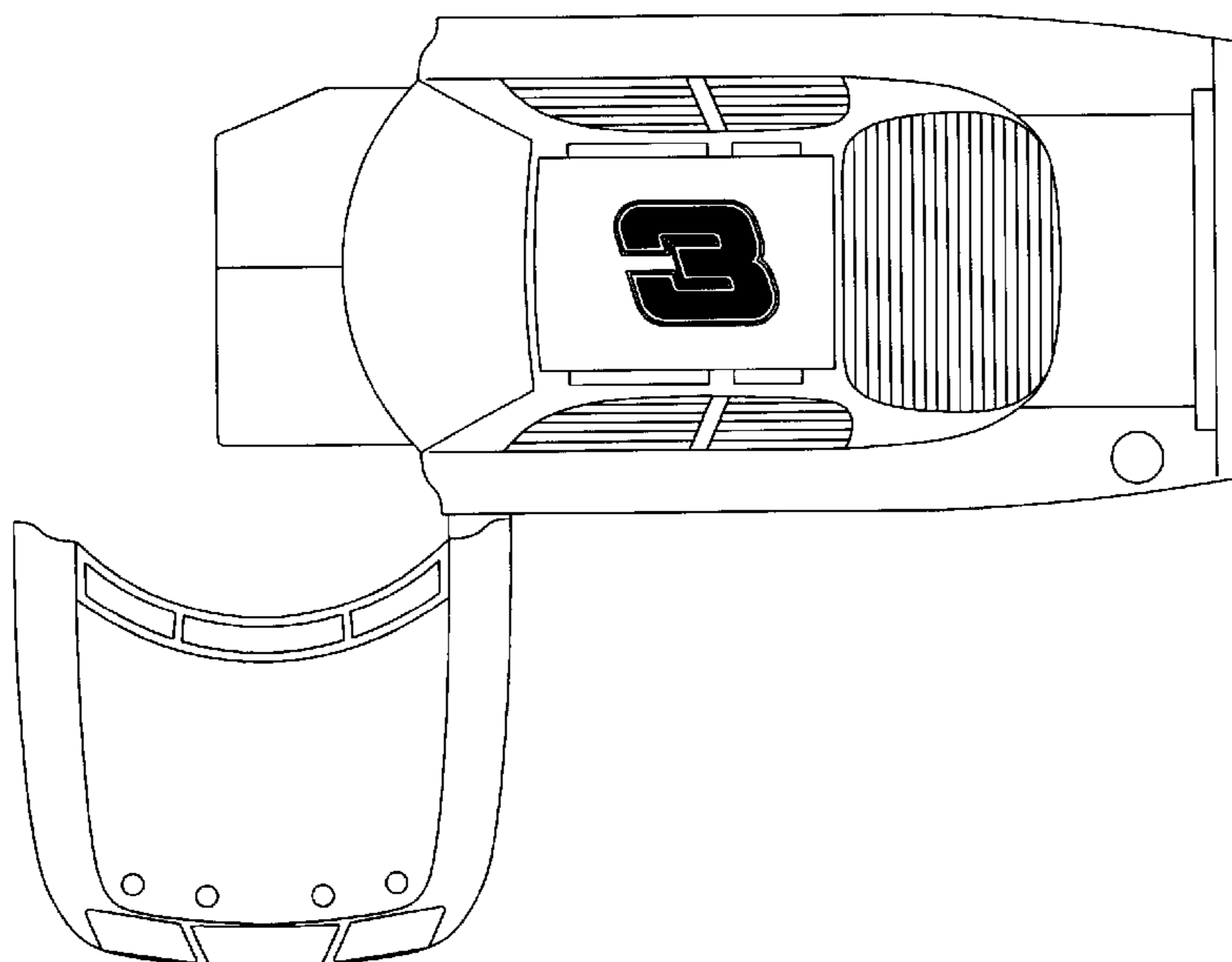
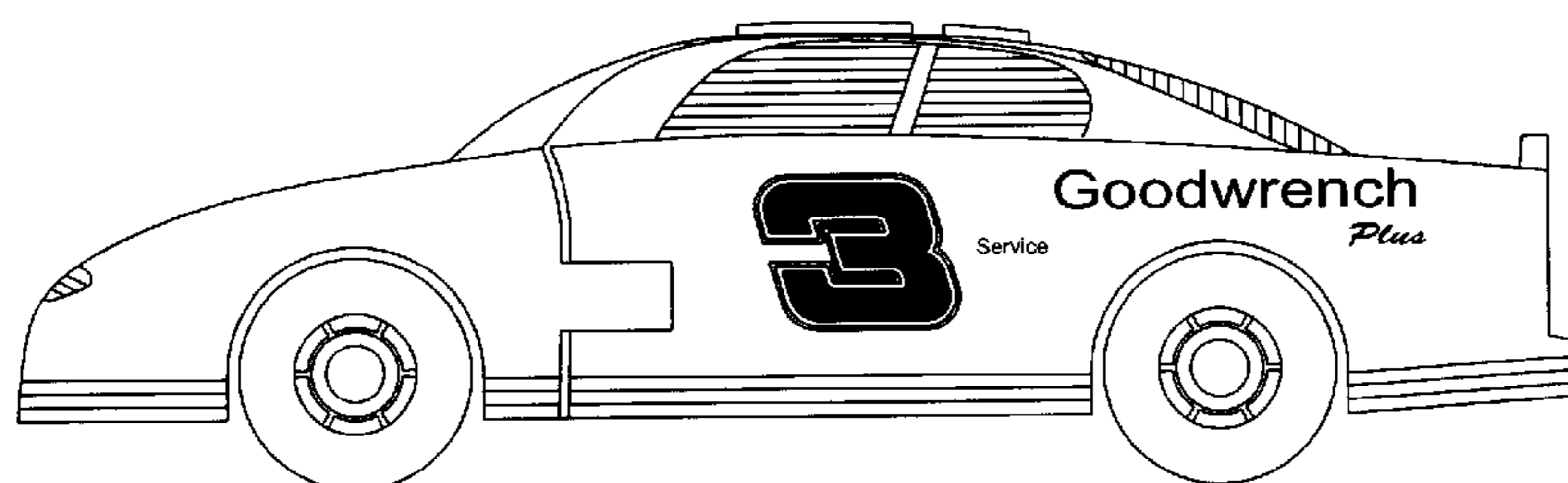
(57) **CLAIM**

The ornamental design for a race car lighter, as shown.

**DESCRIPTION**

FIG. 1 is a front elevational view thereof;  
 FIG. 2 is a rear elevational view thereof;  
 FIG. 3 is a left side elevational view thereof;  
 FIG. 4 is a right side elevational view thereof;  
 FIG. 5 is a top plan view thereof;  
 FIG. 6 is a bottom plan view thereof.  
 FIG. 7 is a top plan view of open position thereof; and,  
 FIG. 8 is a left side elevational view of open position thereof.

**1 Claim, 8 Drawing Sheets**



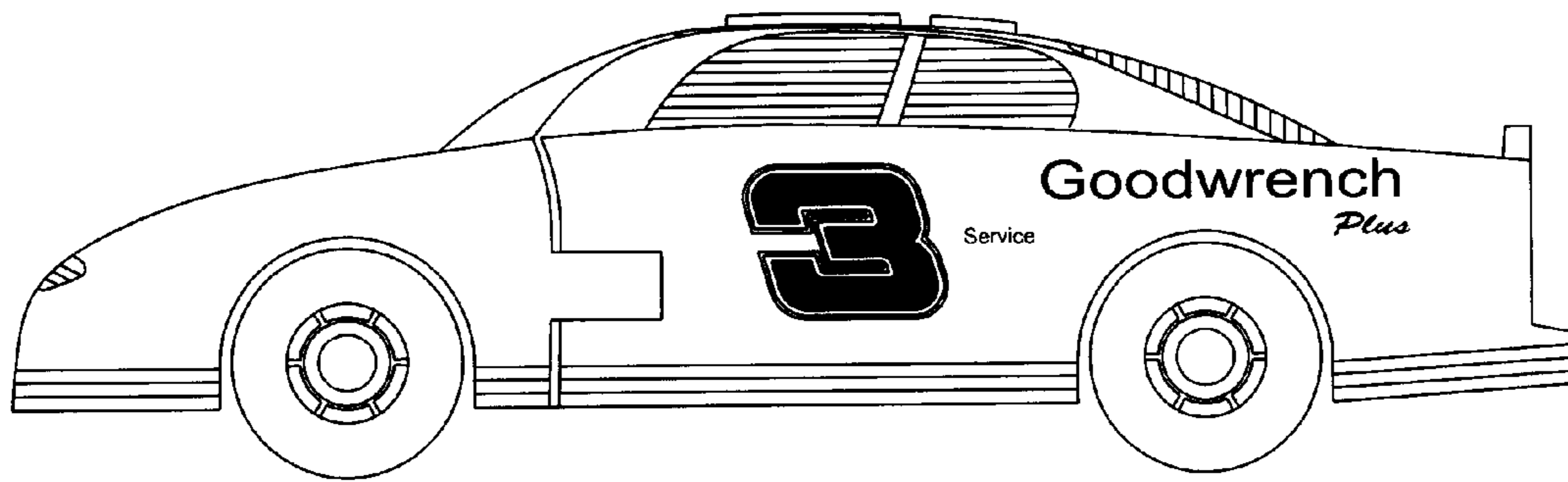


FIG. 1

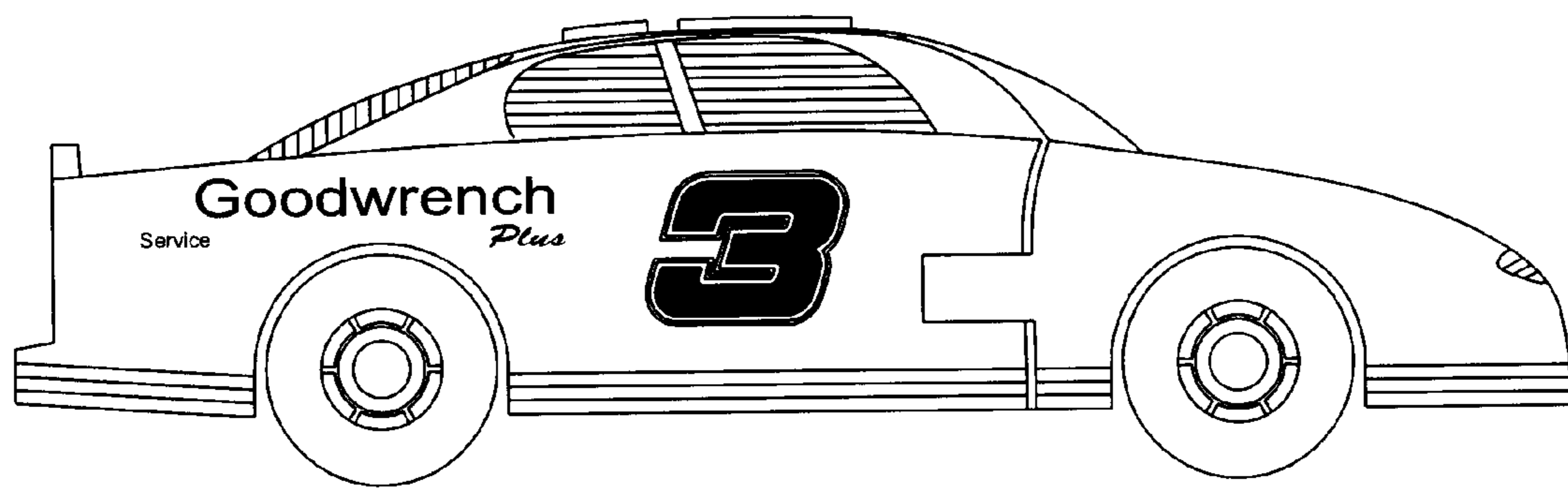


FIG. 2

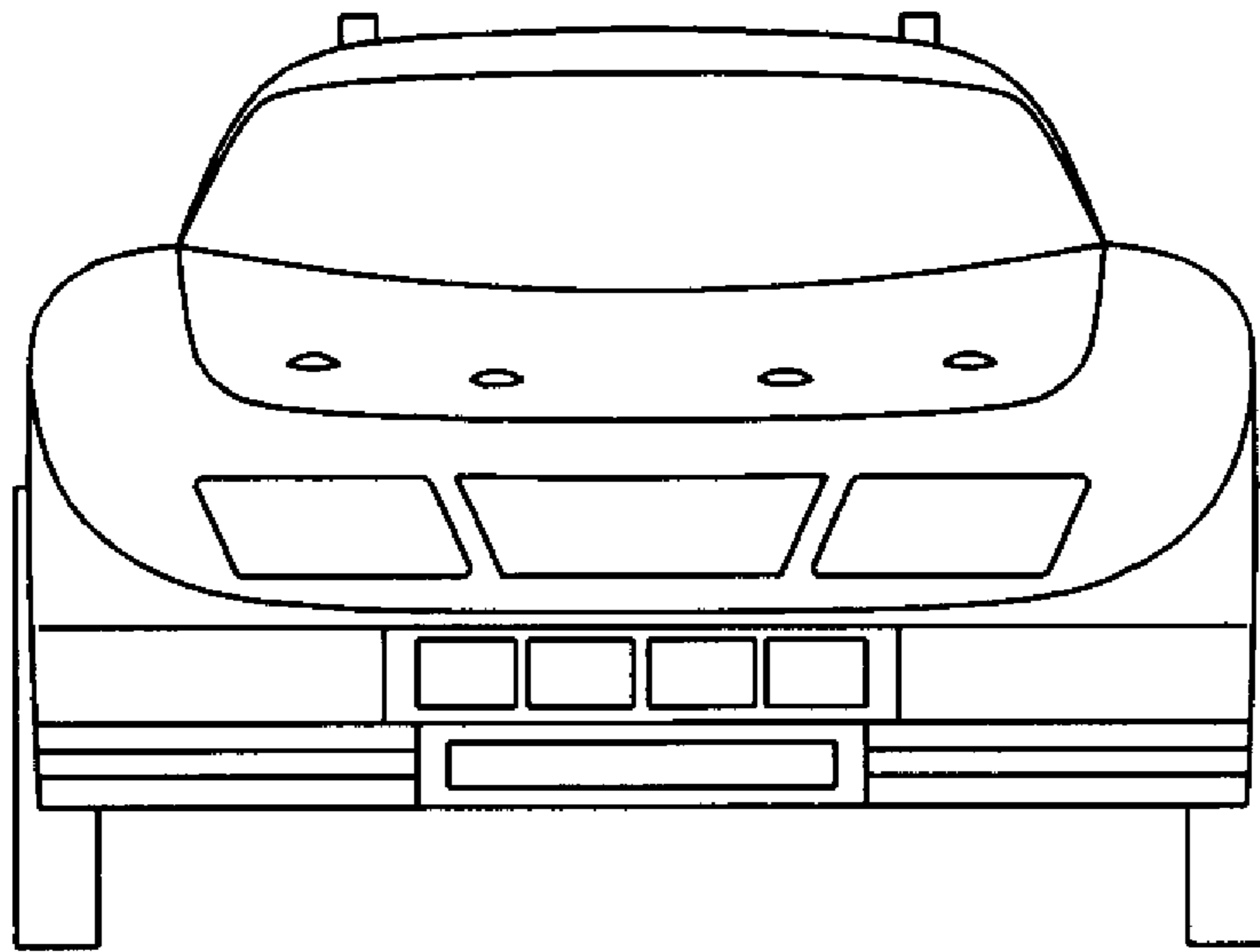


FIG. 3

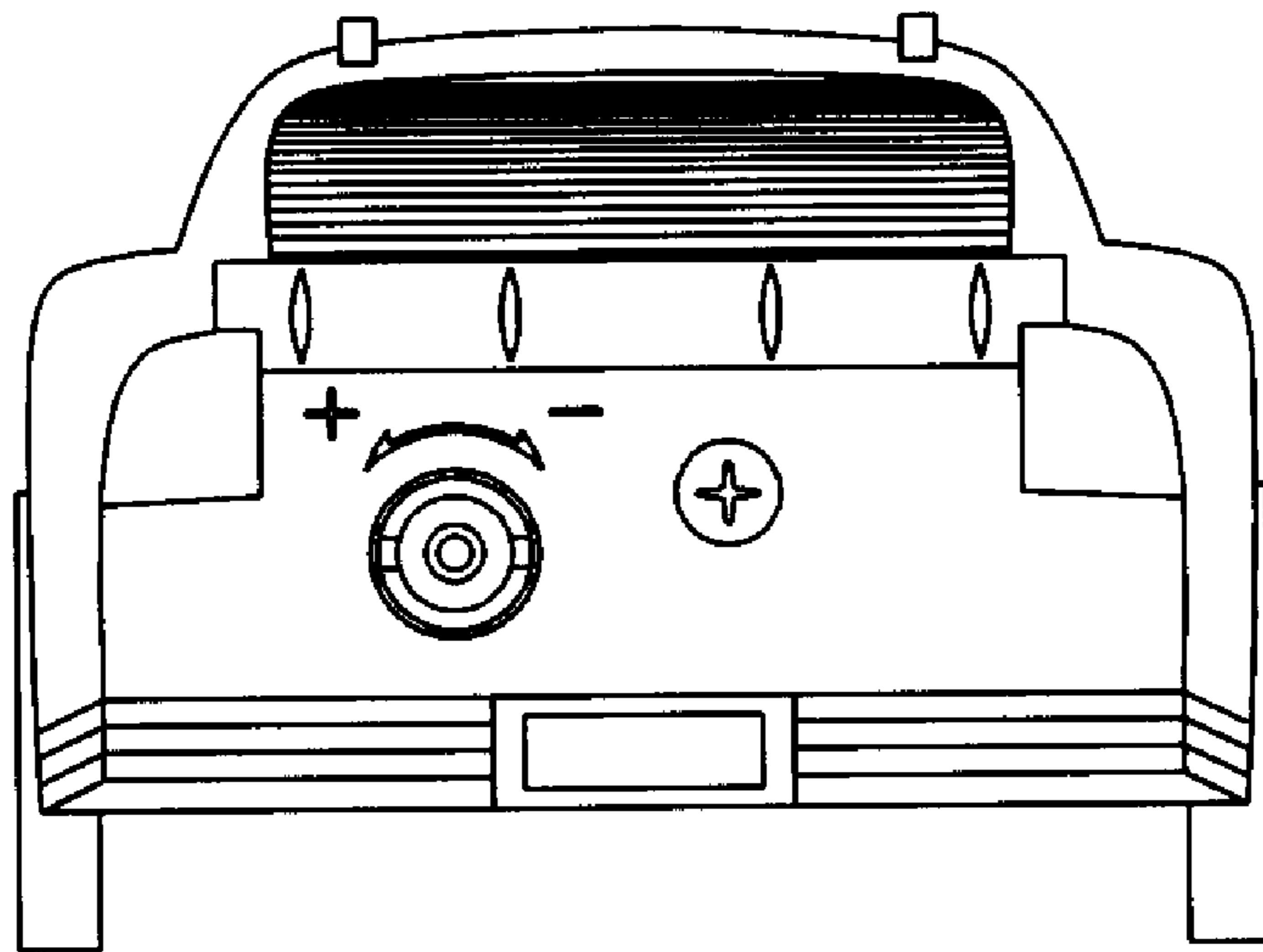


FIG. 4

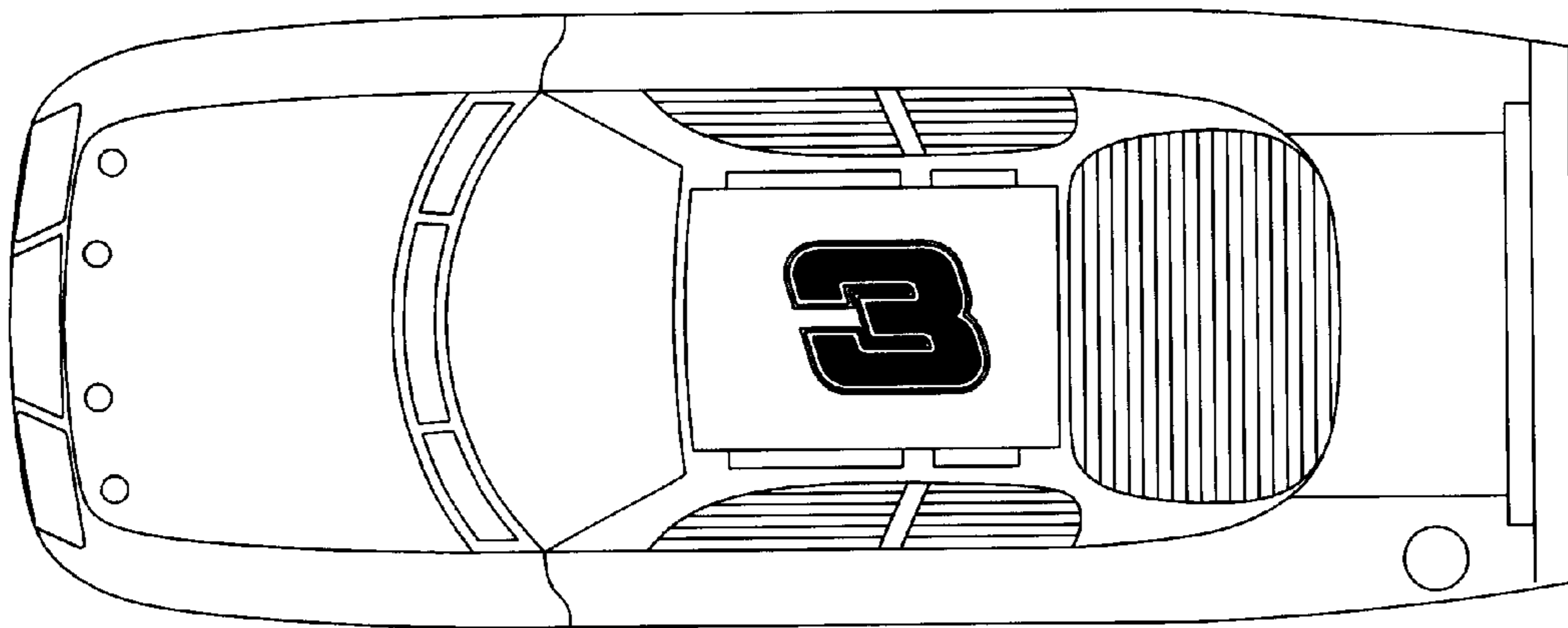


FIG. 5

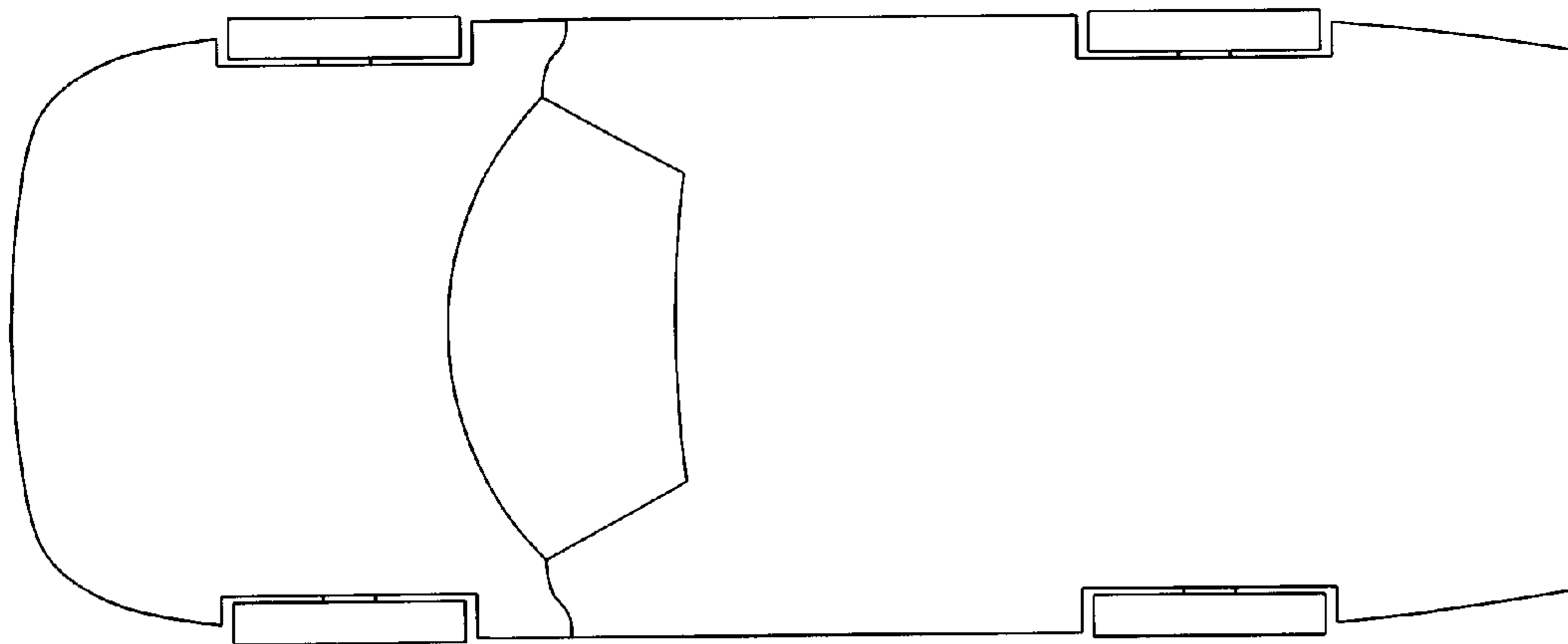


FIG. 6

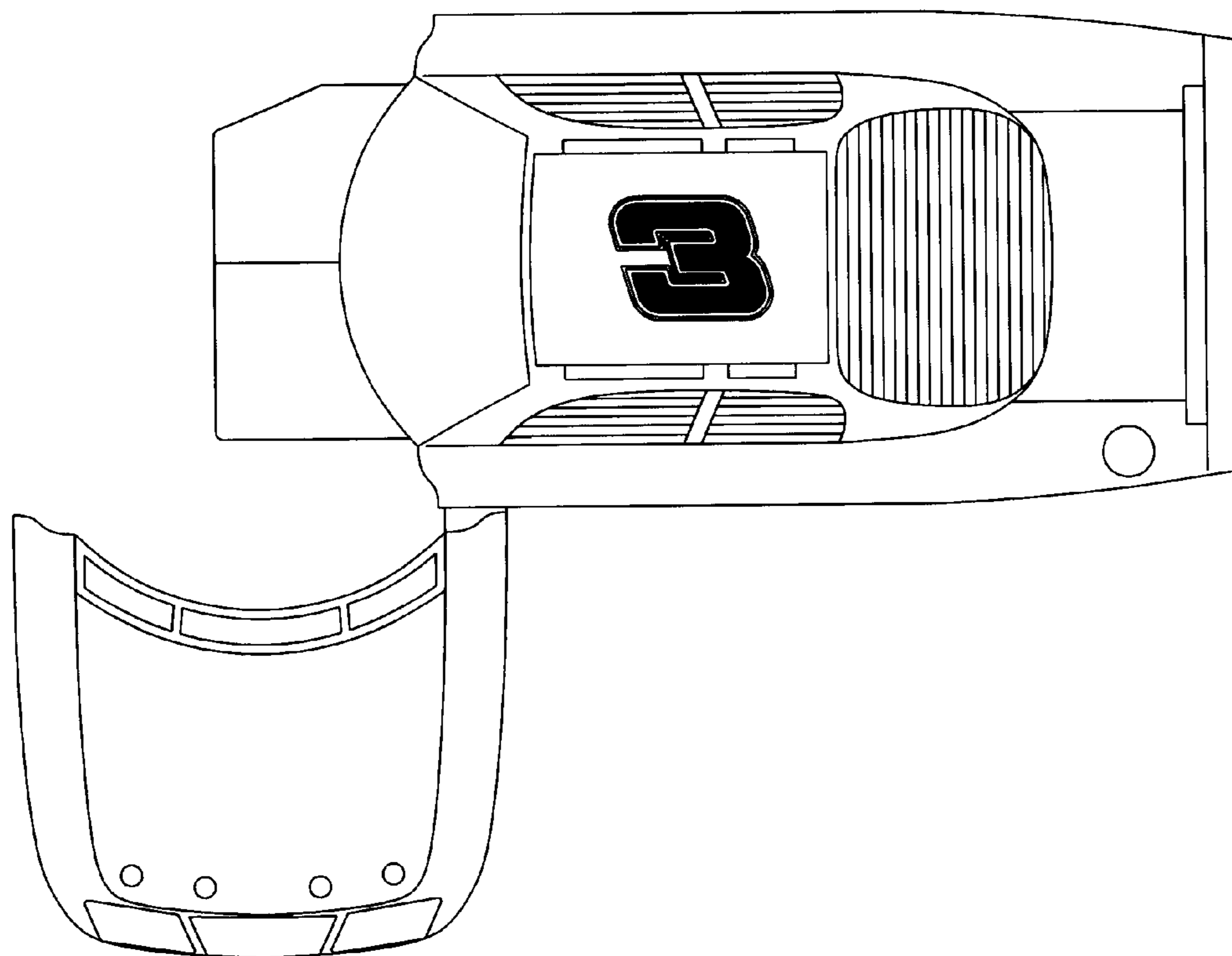


FIG. 7



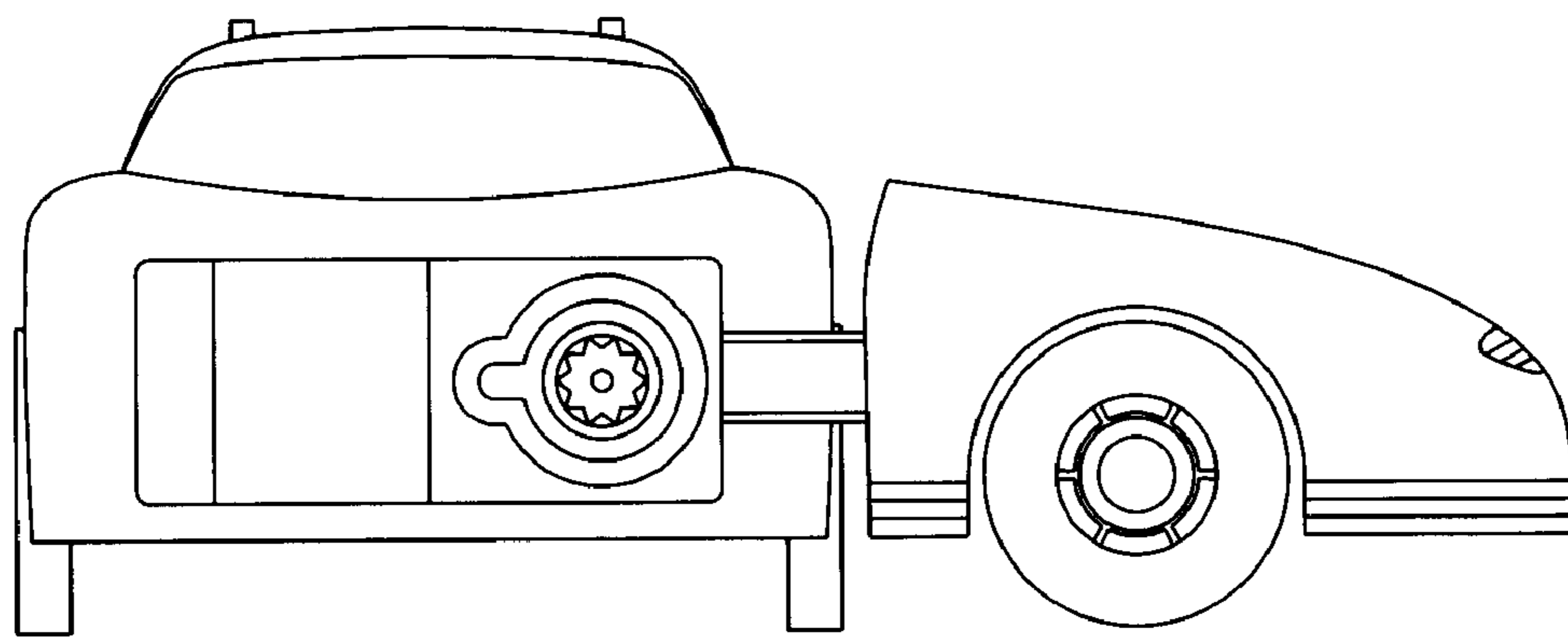


FIG. 8