



US00D515237S

(12) **United States Design Patent** (10) **Patent No.:** **US D515,237 S**
Flores (45) **Date of Patent:** **** Feb. 14, 2006**

- (54) **PORTION OF LAMP HOUSING**
- (75) Inventor: **Miguel Flores**, Riverside, CA (US)
- (73) Assignee: **Minka Lighting, Inc.**, Corona, CA (US)
- (**) Term: **14 Years**
- (21) Appl. No.: **29/216,821**
- (22) Filed: **Nov. 9, 2004**
- (51) **LOC (8) Cl.** **26-99**
- (52) **U.S. Cl.** **D26/152; D26/153**
- (58) **Field of Classification Search** D26/24,
D26/67, 71, 72, 85-92, 142, 145, 149, 152,
D26/154, 155, 118, 128-137; 362/147, 404-408,
362/432, 455, 457
See application file for complete search history.

(56) **References Cited**

U.S. PATENT DOCUMENTS

D65,817 S	*	10/1924	Levy	D26/145
5,568,972 A	*	10/1996	Wang	362/457
D394,519 S	*	5/1998	Hsu	D26/87
D405,217 S	*	2/1999	Joli	D26/145
D422,375 S	*	4/2000	Milicia	D26/88

OTHER PUBLICATIONS

Kichler Lighting Catalog No. 104, ©2004; item 9283—
“Kensington” on p. 320 and item 9476—“Inverness” on p.
302. (2 pages).*

Progress Lighting Product Catalog No. 126, ©2004; item
P5637-86—“Gilcrest” on p. 395. (1 page).*

U.S. Appl. No. 29/216,777, Miguel Flores.
U.S. Appl. No. 29/216,783, Miguel Flores.
U.S. Appl. No. 29/216,815, Miguel Flores.
The Great Outdoors 2004 Catalog by Minka-Lavery; Minka
Lighting, Inc., U.S.A.; Jan. 2004; Kent Place Model; pp.
4-5.

* cited by examiner

Primary Examiner—Clare E Heflin
(74) *Attorney, Agent, or Firm*—Baker & McKenzie LLP

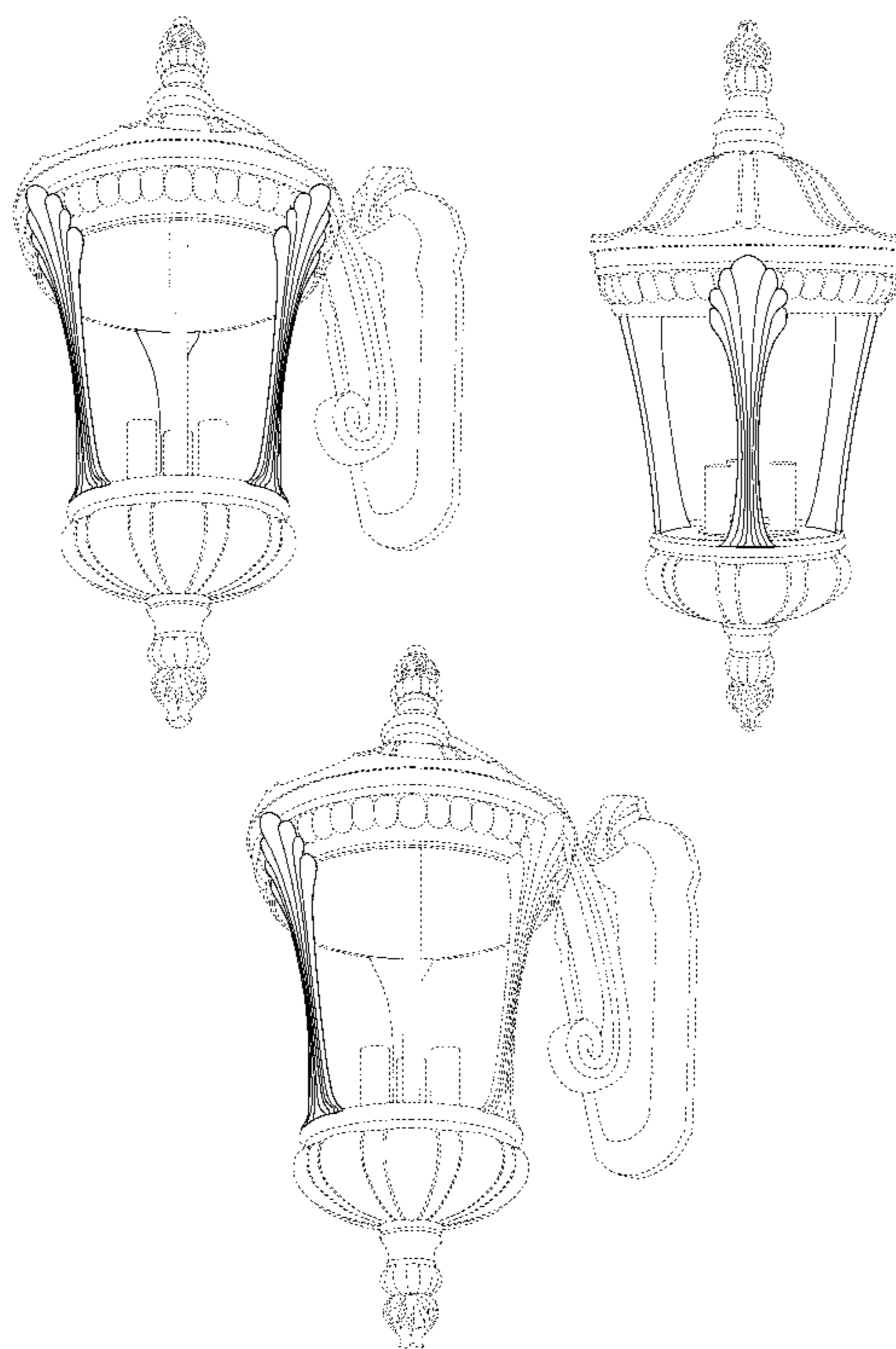
(57) **CLAIM**

The ornamental design for a portion of lamp housing, as shown and described.

DESCRIPTION

FIG. 1 is a perspective view from below of a portion of lamp housing in accordance with my design;
FIG. 2 is a front elevation view of the portion of lamp housing in accordance with my design;
FIG. 3 is a top plan view of the portion of lamp housing in accordance with my design;
FIG. 4 is a perspective view of a second embodiment of the portion of lamp housing in accordance with my design;
FIG. 5 is a front elevation view of the second embodiment of the portion of lamp housing in accordance with my design; and,
FIG. 6 is a top plan view of the second embodiment of the portion of lamp housing in accordance with my design.
The broken lines showing environmental structure are for illustrative purposes and form no part of the claimed design.

1 Claim, 6 Drawing Sheets



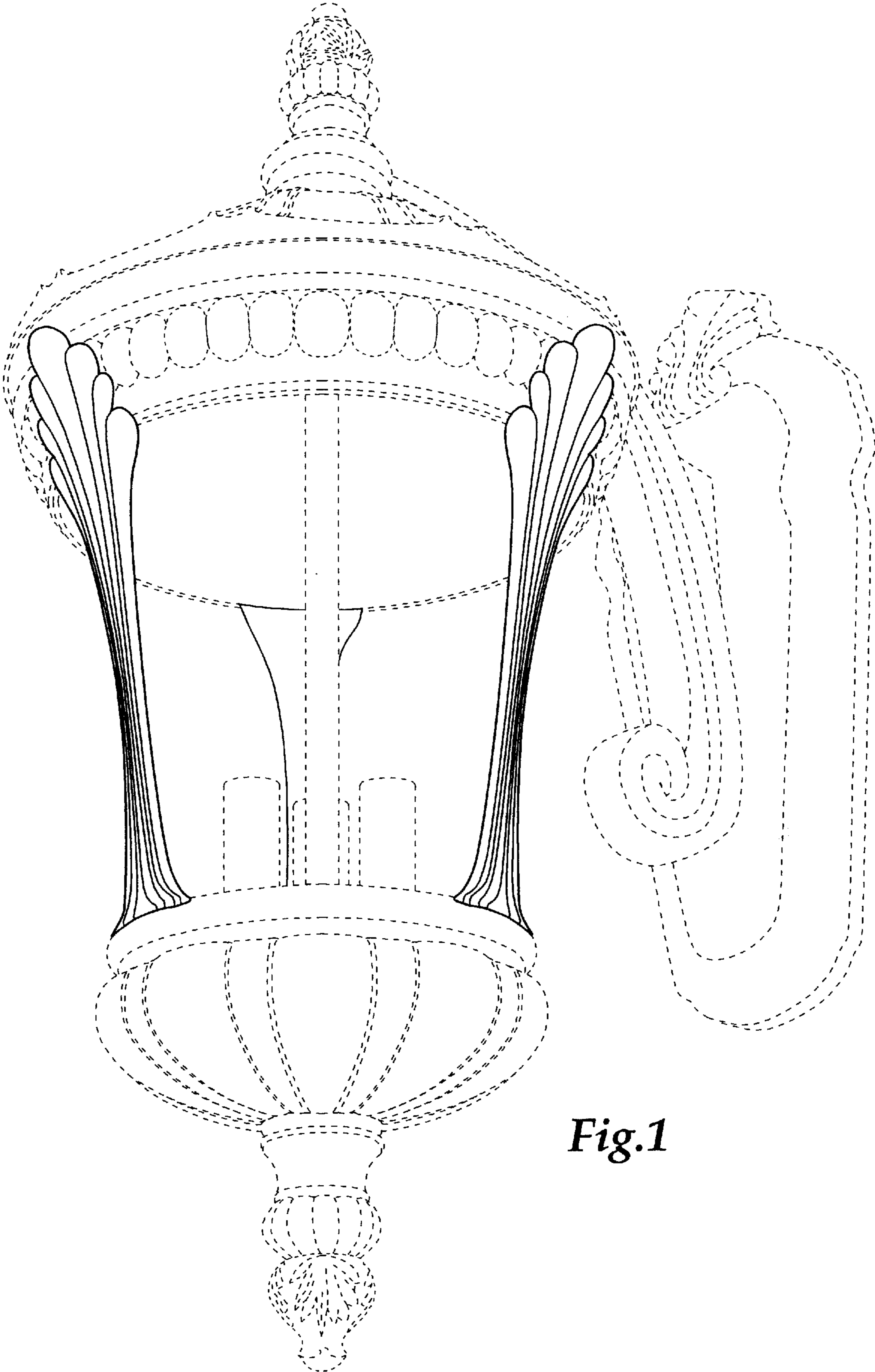


Fig.1

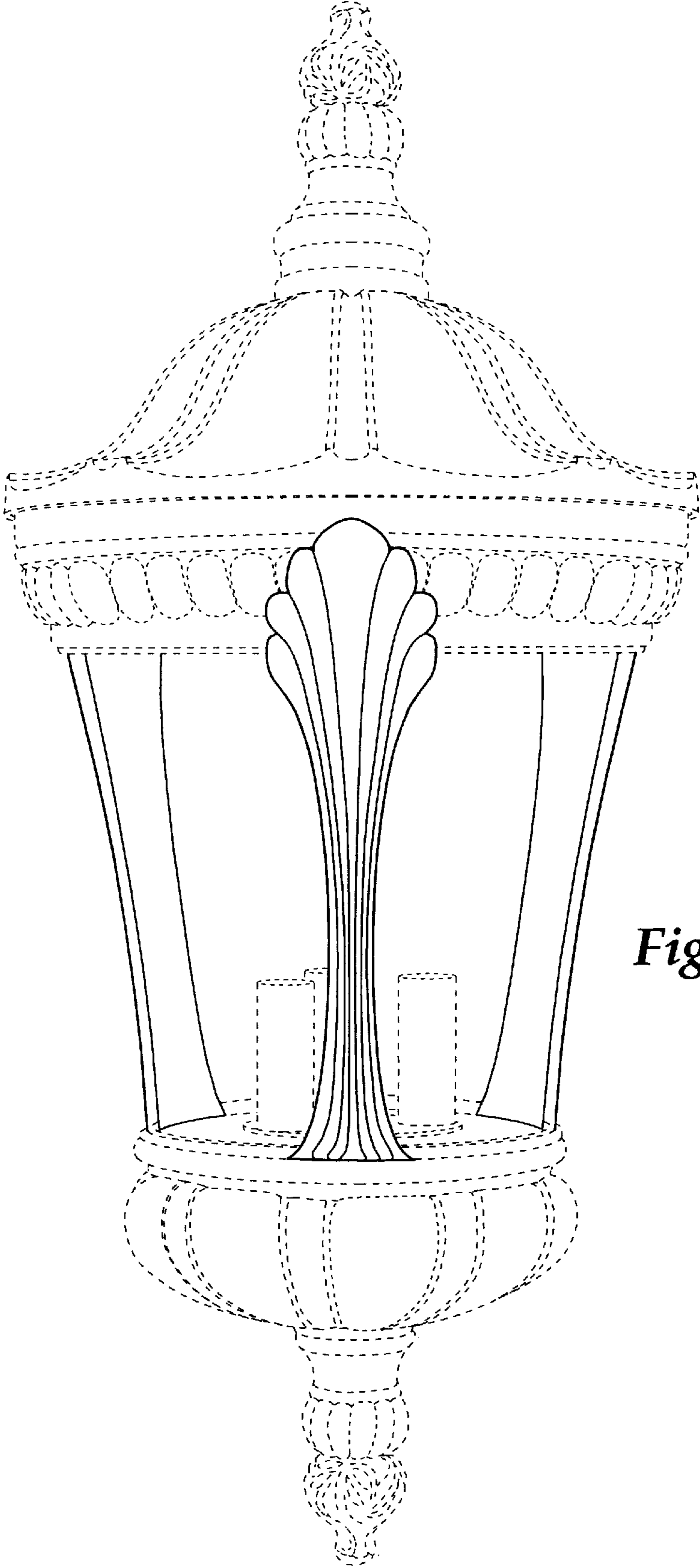


Fig.2

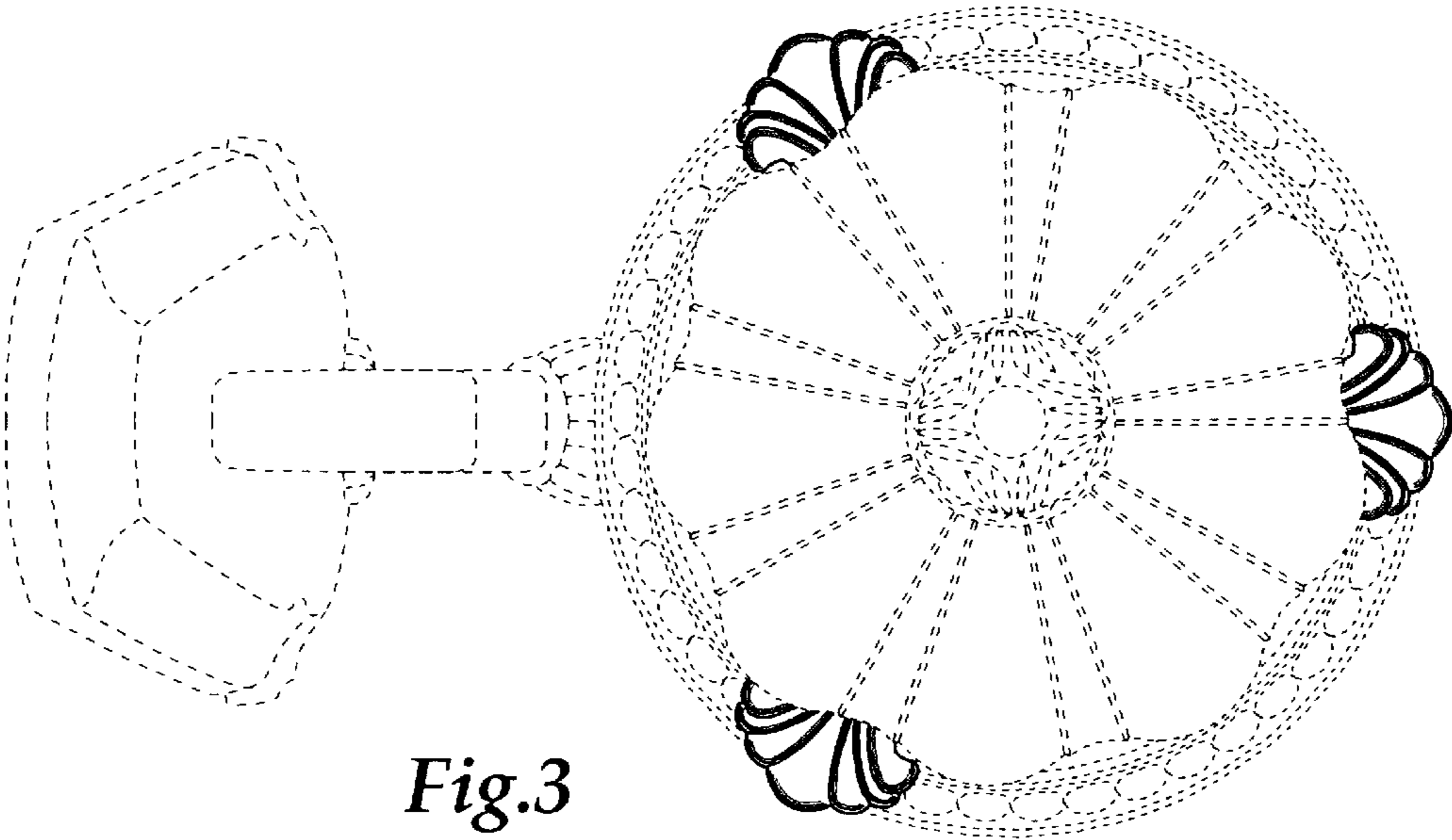


Fig.3

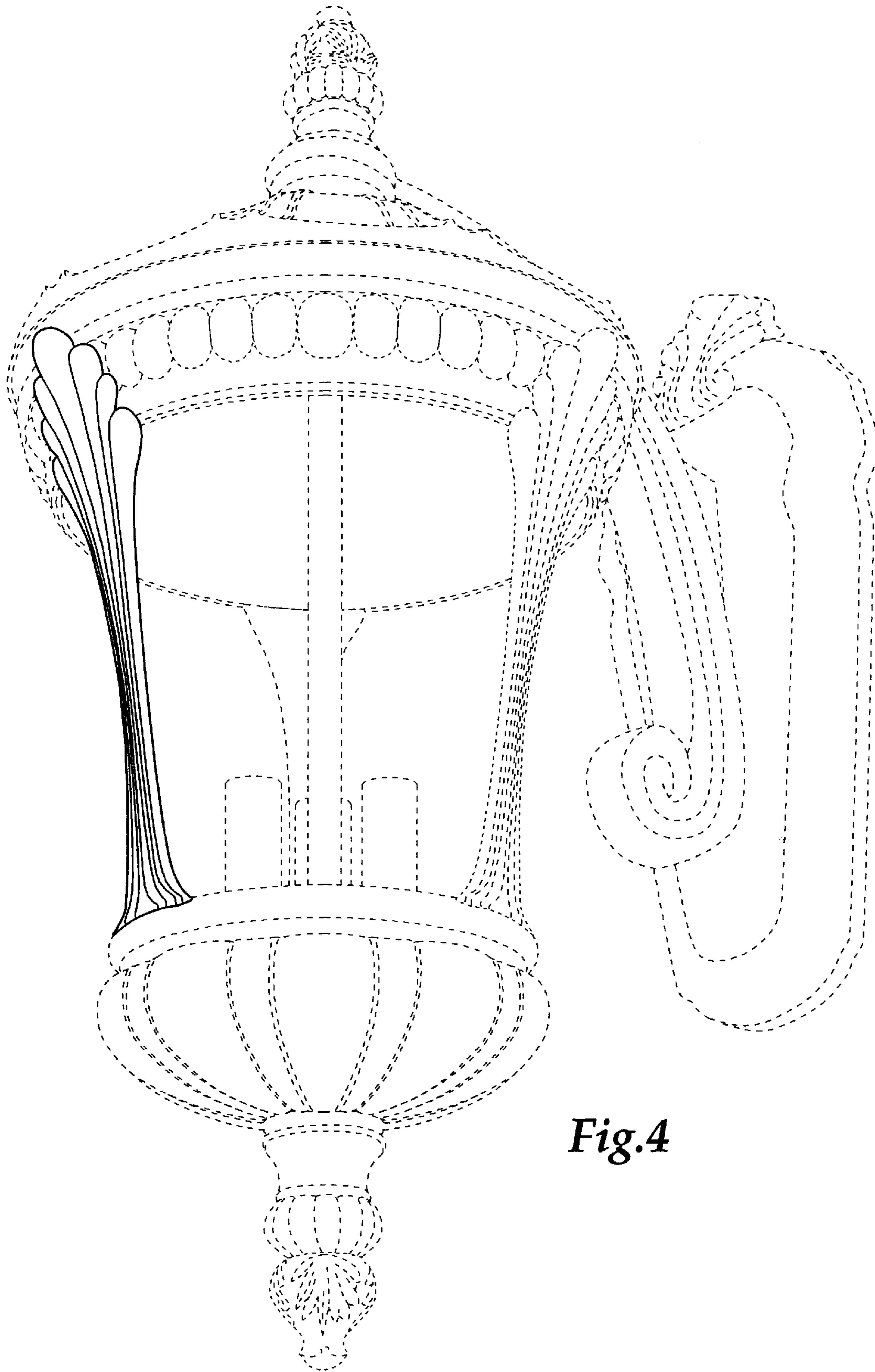


Fig.4

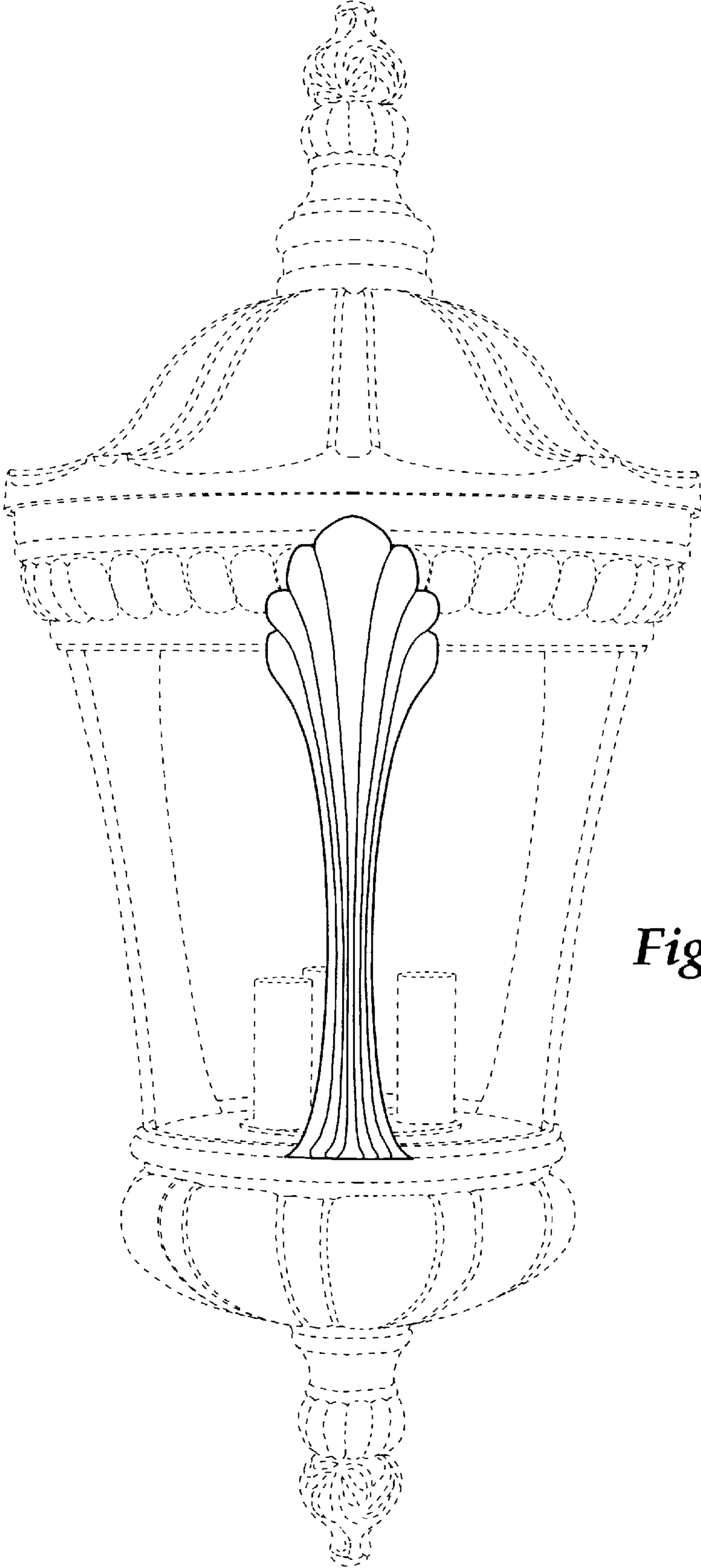


Fig.5

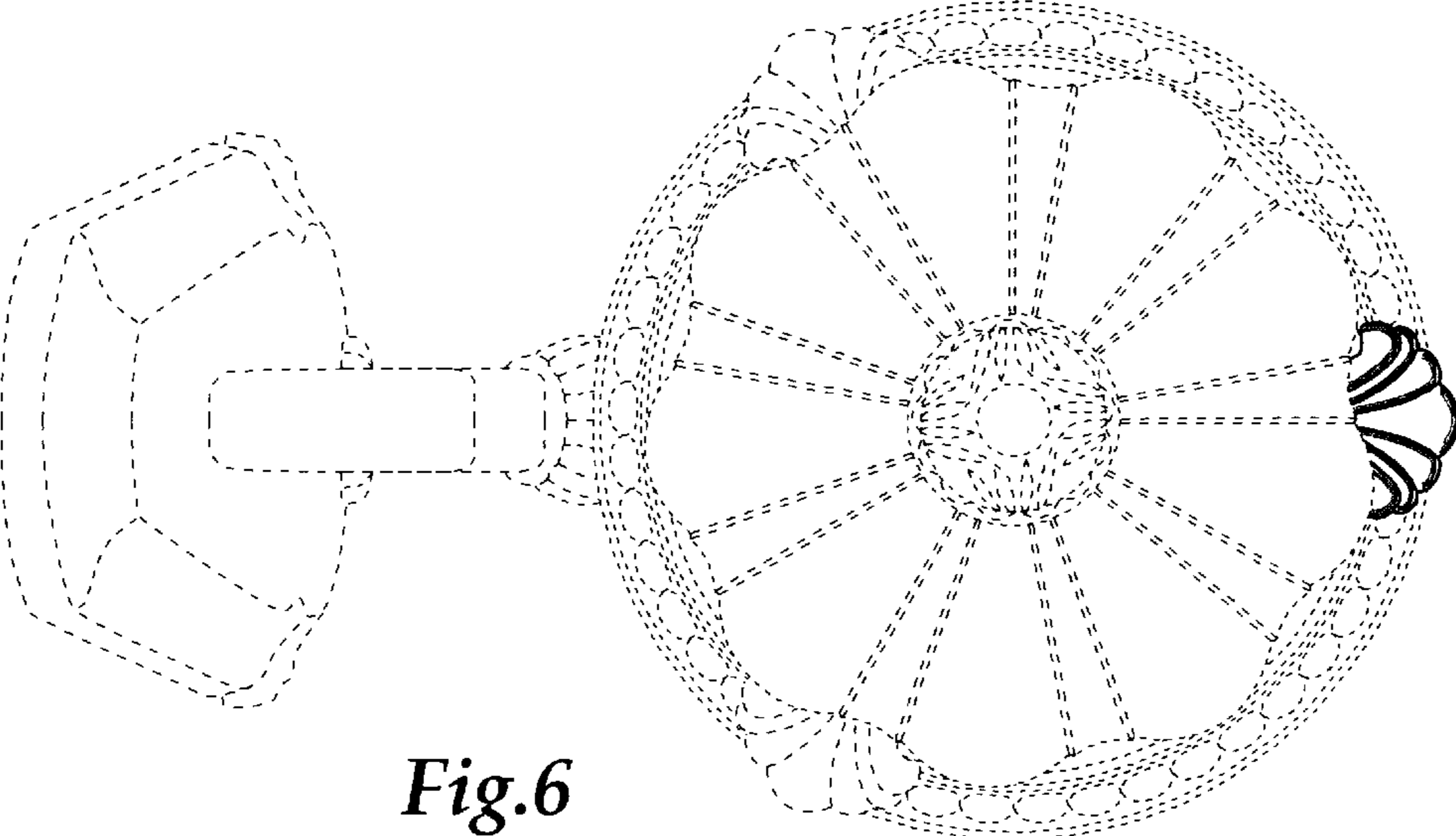


Fig.6