



US00D515236S

(12) **United States Design Patent**
Gawlowski et al.

(10) **Patent No.:** **US D515,236 S**
(45) **Date of Patent:** **** Feb. 14, 2006**

(54) **DECORATIVE ILLUMINATED OBJECT**

Primary Examiner—Alan P. Douglas
Assistant Examiner—Linda Brooks

(75) Inventors: **David M. Gawlowski**, Bend, OR (US);
Matthew W. Gawlowski, Sunnyvale,
CA (US)

(57) **CLAIM**

We claim the ornamental design for a decorative illuminated object, as shown and described.

(73) Assignee: **Pressure Drop Inc.**, Bend, OR (US)

(**) Term: **14 Years**

DESCRIPTION

(21) Appl. No.: **29/221,046**

FIG. 1 is a front top perspective view of a decorative illuminated object showing our new design;

(22) Filed: **Jan. 10, 2005**

FIG. 2 is a rear bottom perspective view thereof;

(51) **LOC (8) Cl.** **26-03**

FIG. 3 is a front view thereof;

(52) **U.S. Cl.** **D26/111**

FIG. 4 is a right side view thereof, the left side being a mirror image;

(58) **Field of Classification Search** D26/93-112;
362/410-414, 806; D11/131

FIG. 5 is a rear view thereof;

See application file for complete search history.

FIG. 6 is a top view thereof; and,

(56) **References Cited**

FIG. 7 is a bottom view thereof.

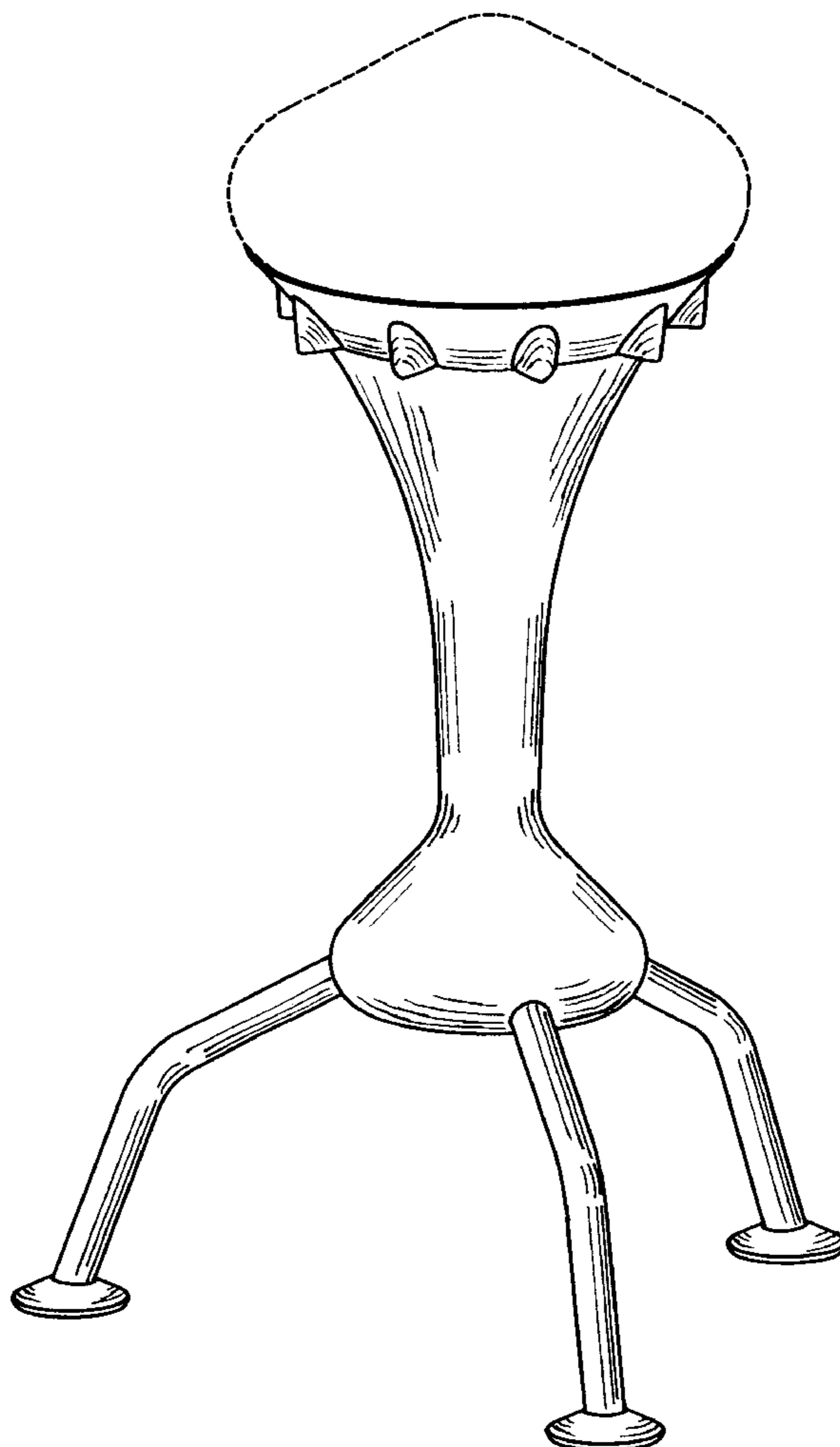
U.S. PATENT DOCUMENTS

Matter shown in broken lines does not form part of the design.

D436,215 S * 1/2001 Yeh D26/111

* cited by examiner

1 Claim, 7 Drawing Sheets



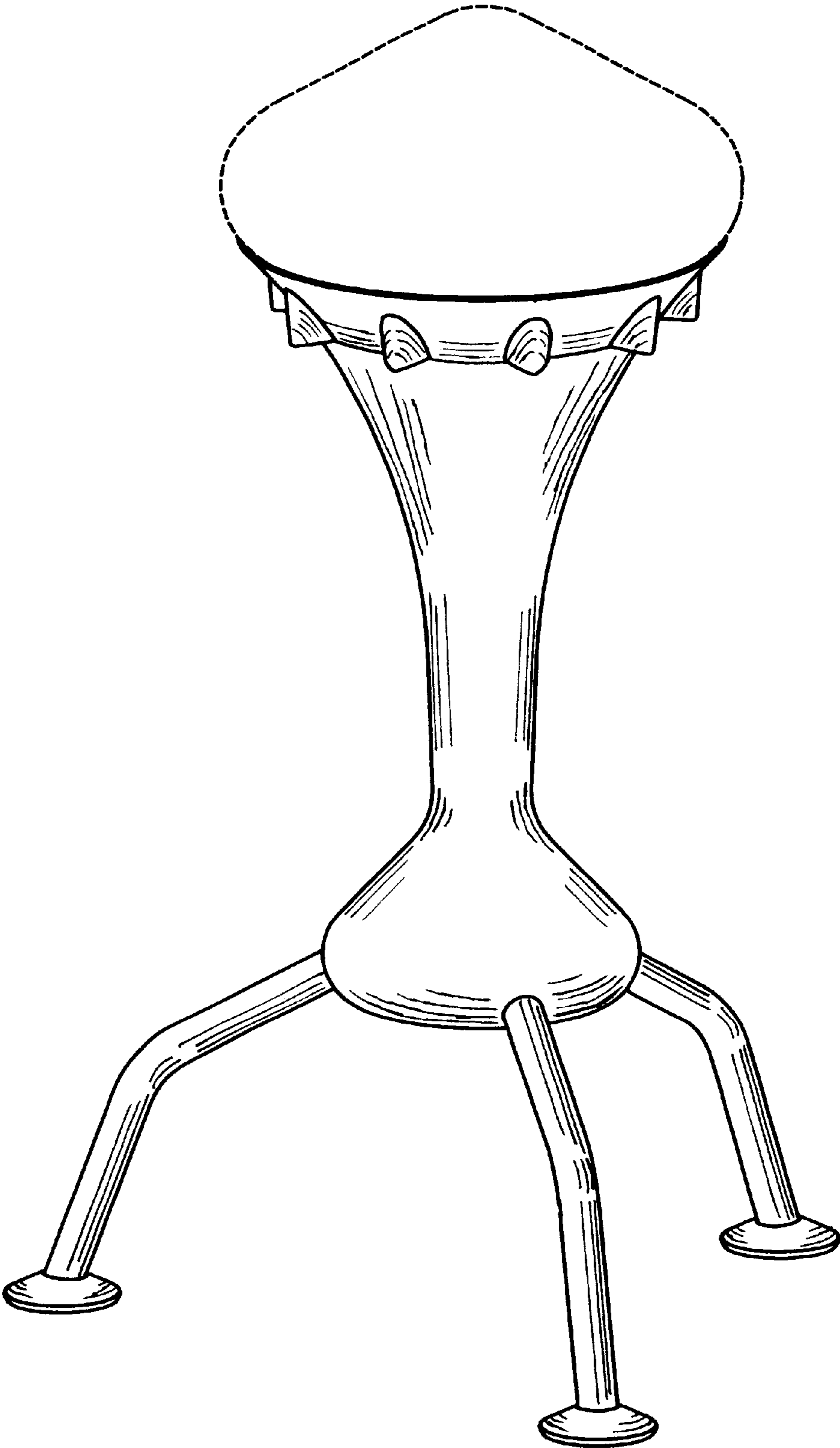


FIG. 1

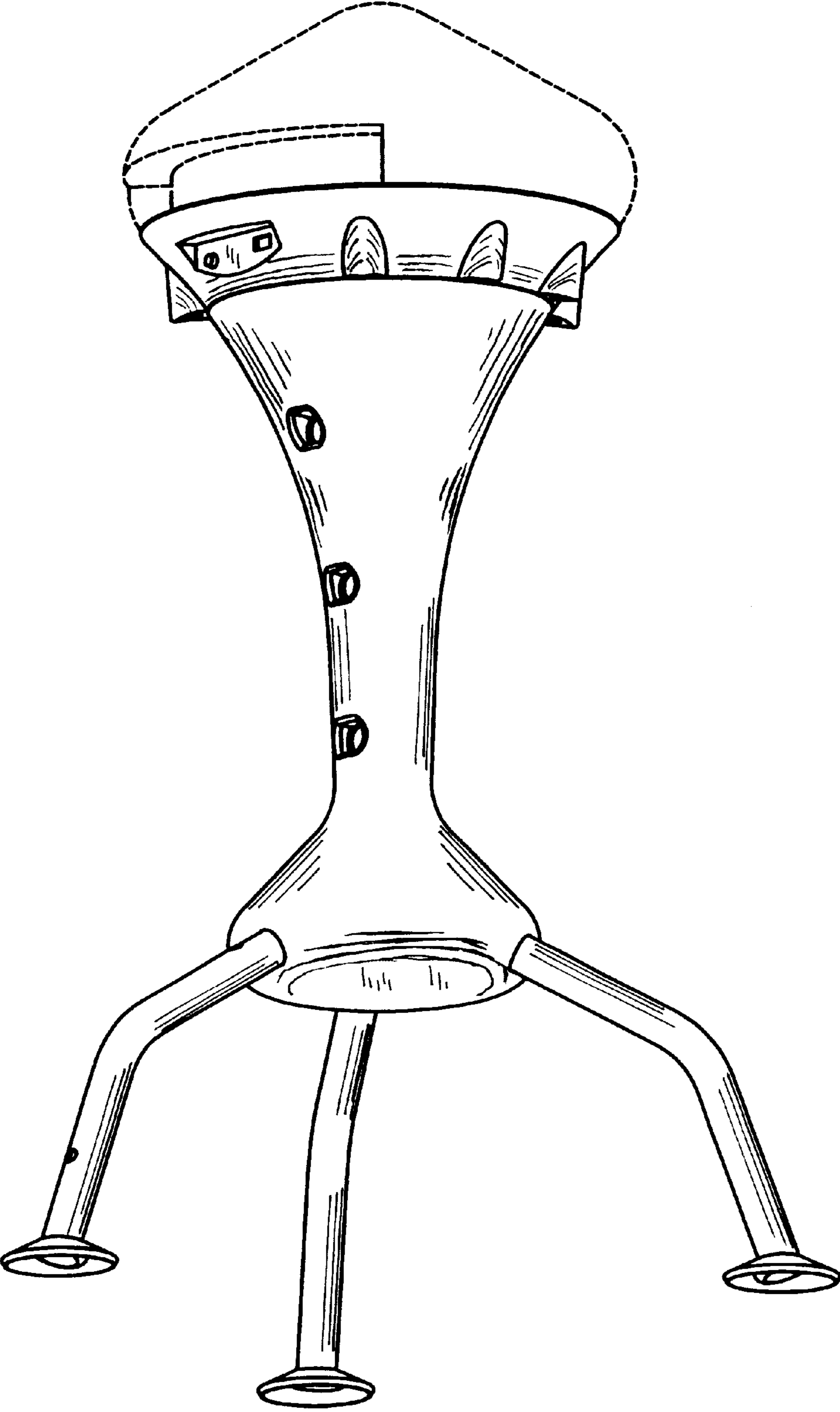


FIG. 2

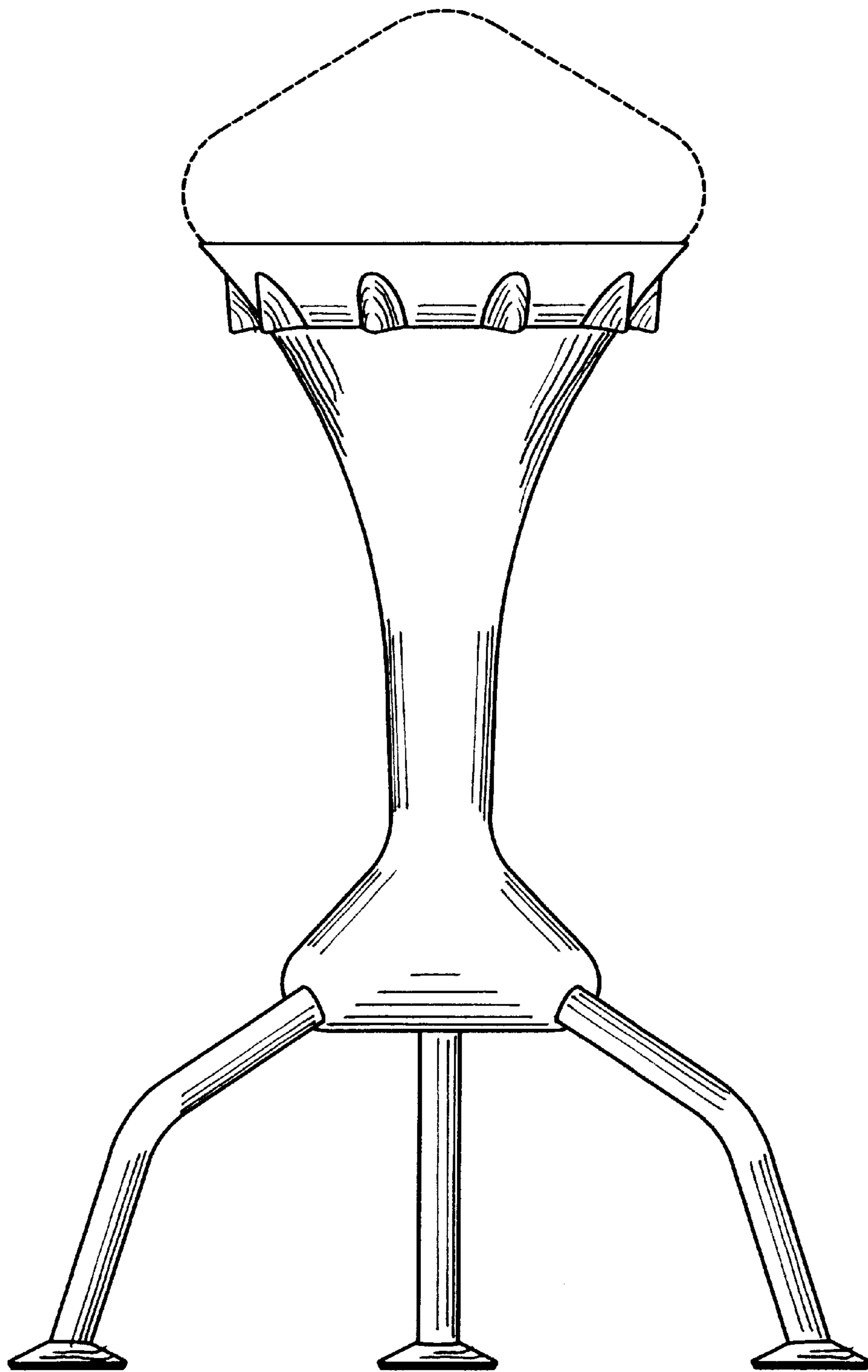


FIG. 3

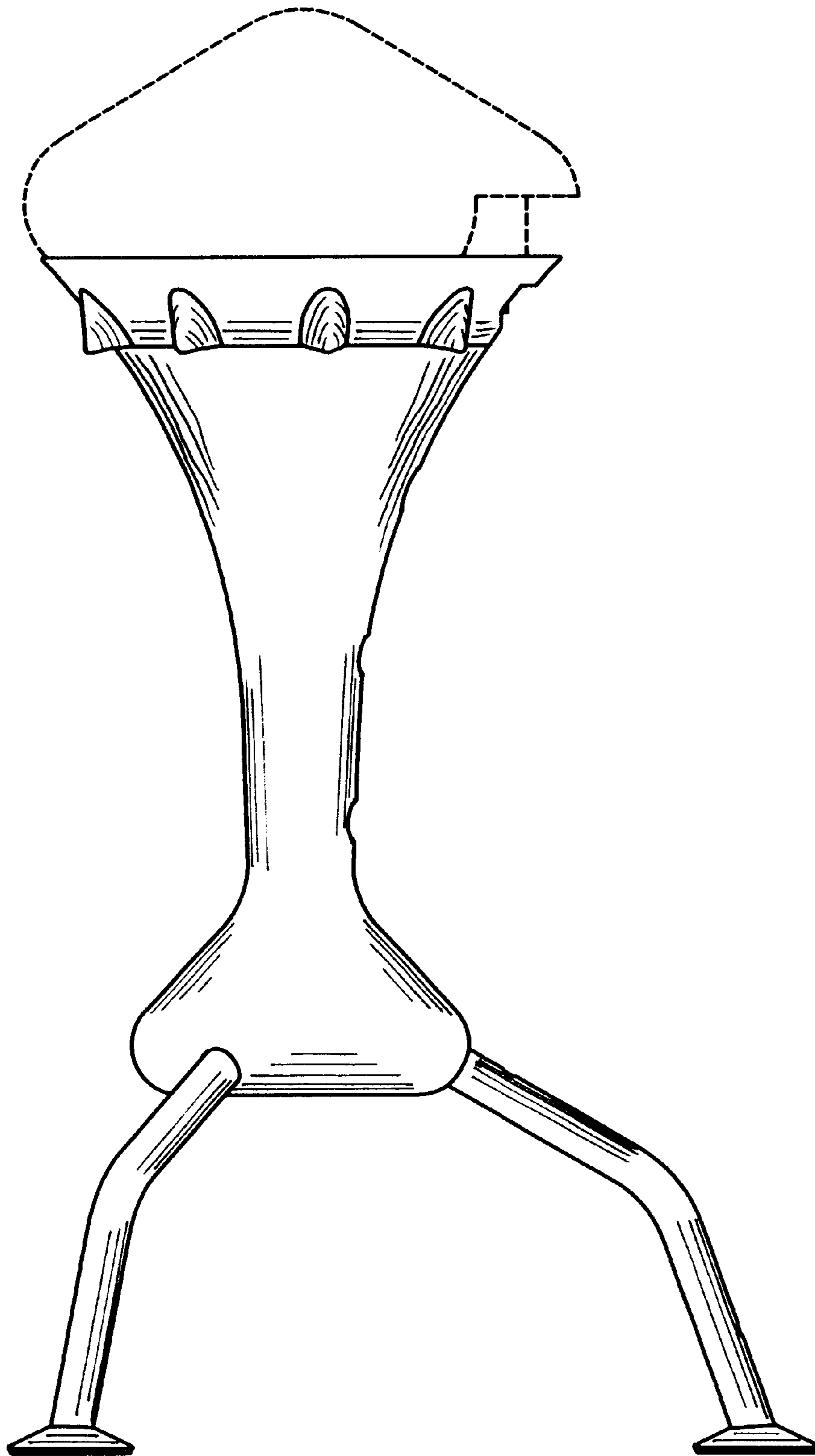


FIG. 4

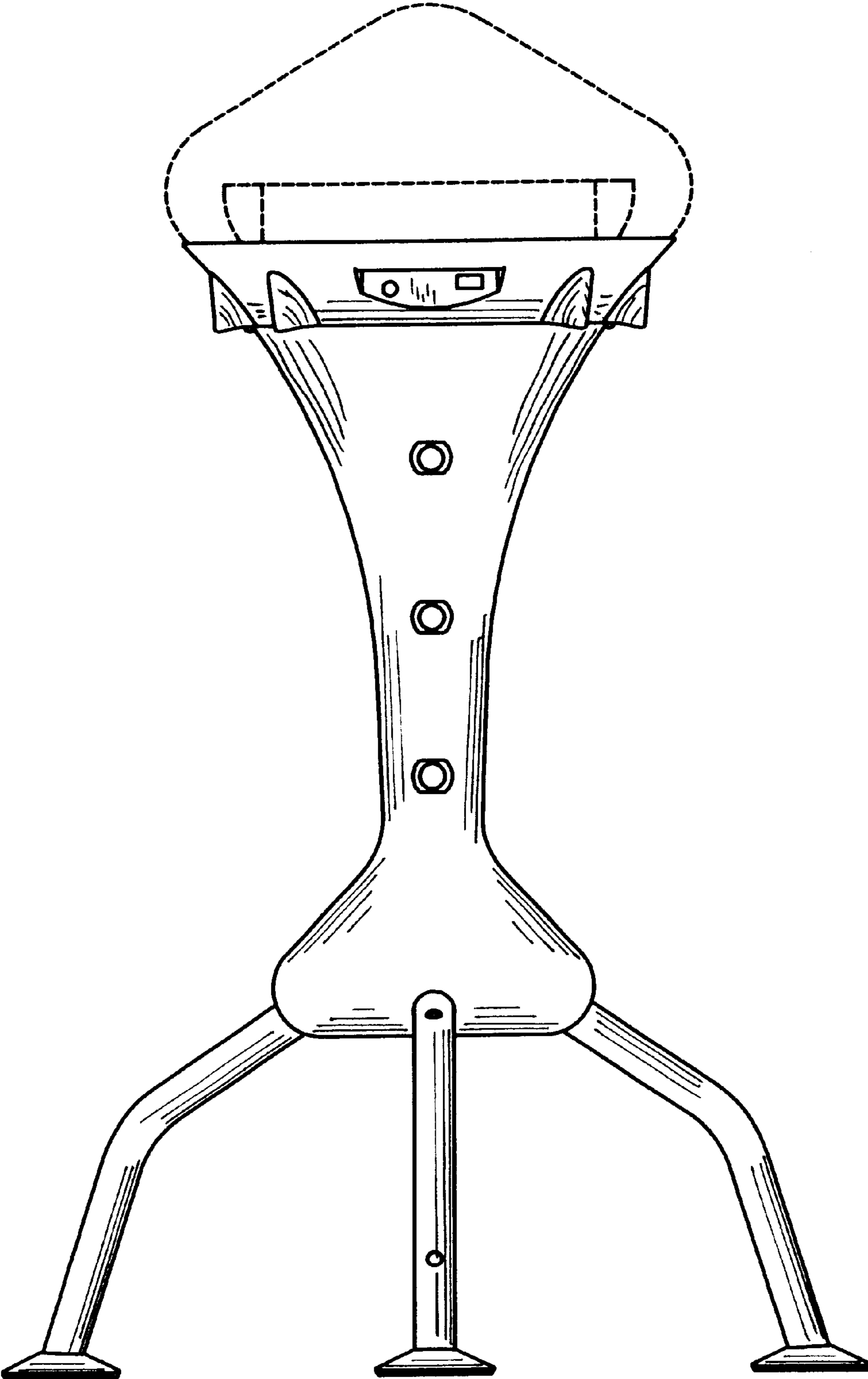


FIG. 5

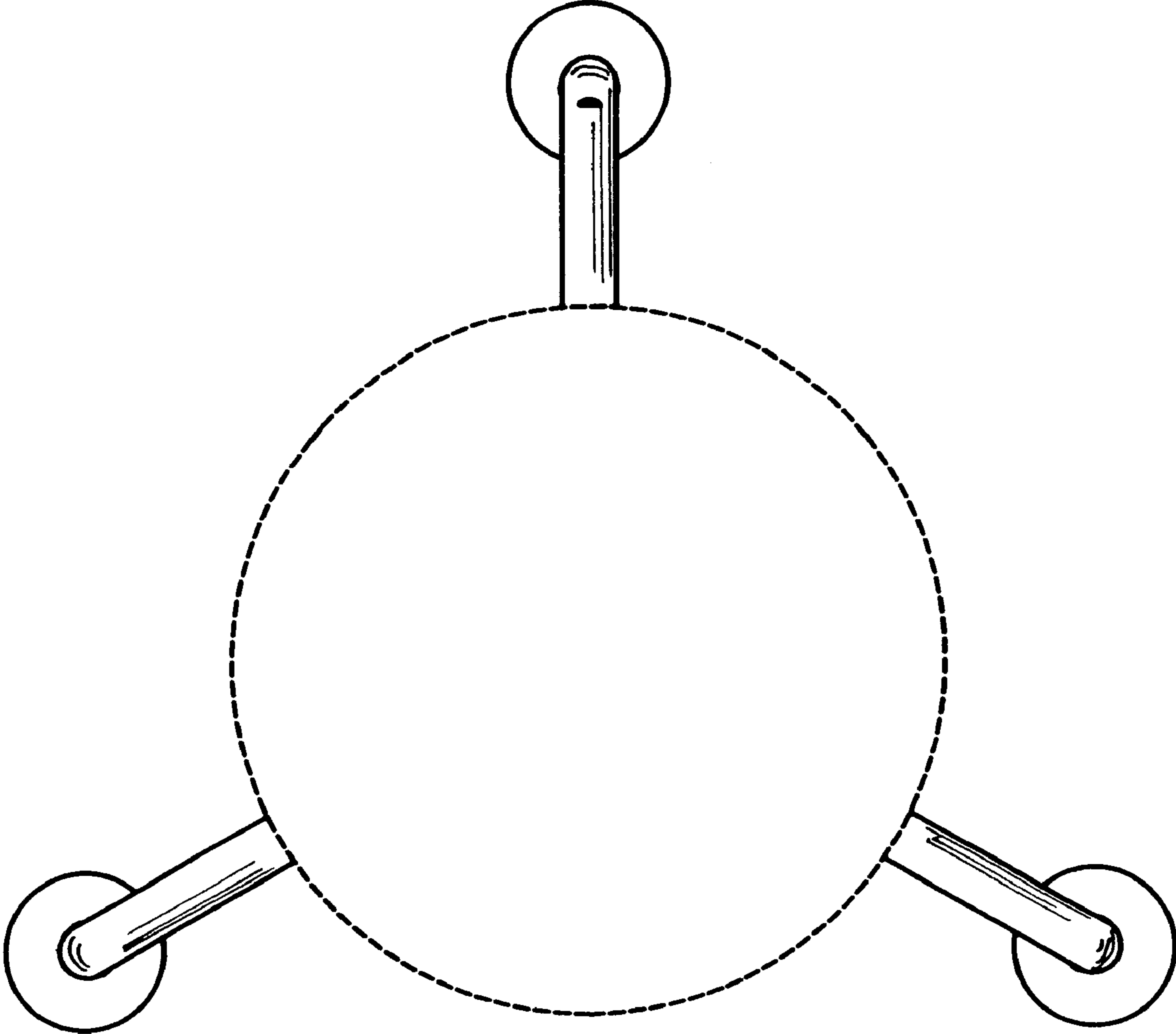


FIG. 6

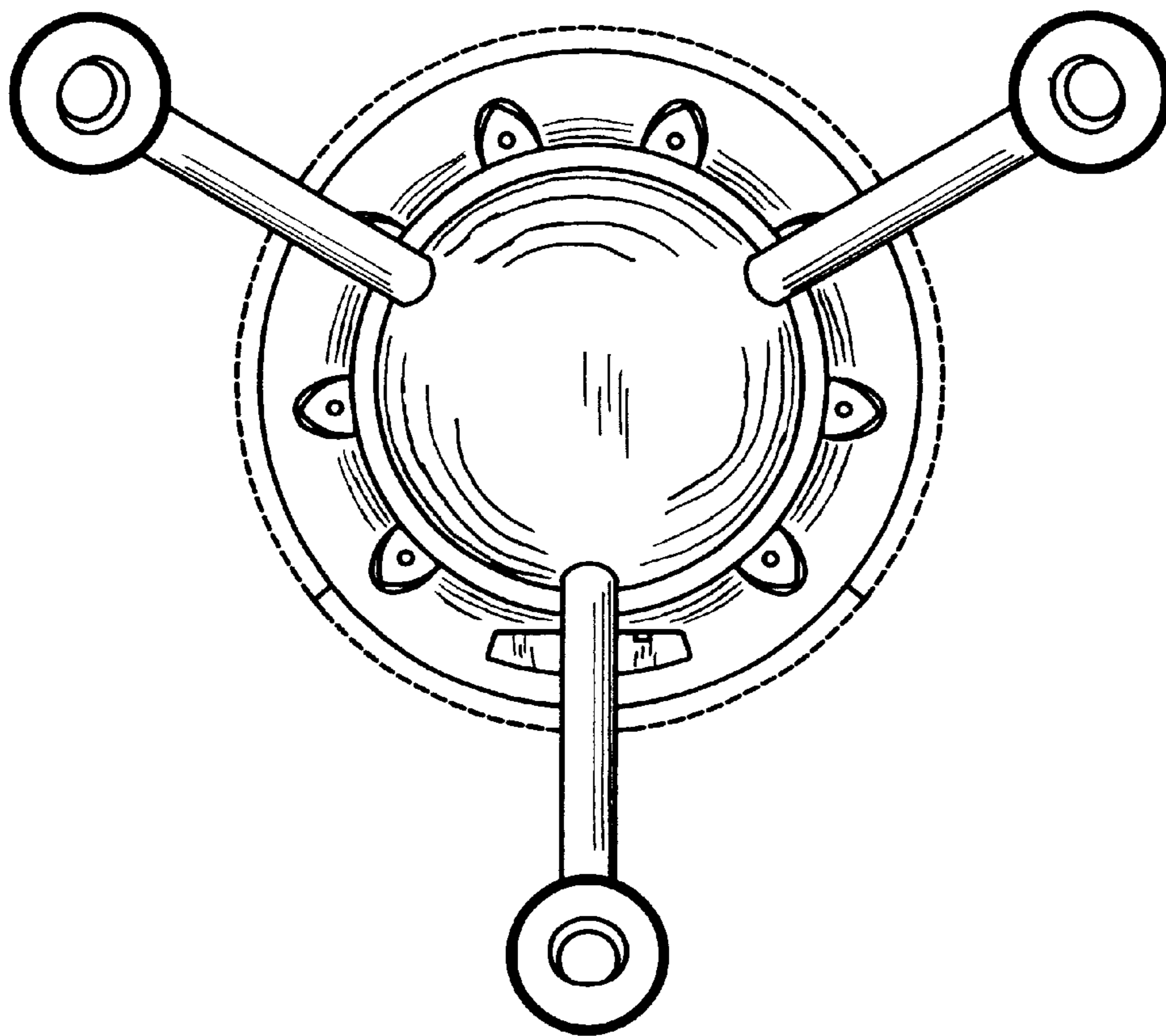


FIG. 7