



US00D515235S

(12) **United States Design Patent**  
**Opolka**

(10) **Patent No.:** **US D515,235 S**  
(45) **Date of Patent:** **\*\* Feb. 14, 2006**

(54) **DESK OR TABLE LAMP**

D443,385 S \* 6/2001 Maruyama ..... D26/109

(75) Inventor: **Rainer Opolka**, Solingen (DE)

\* cited by examiner

(73) Assignee: **Zweibruder Optoelectronics GmbH**, Solingen (DE)

*Primary Examiner*—Alan P. Douglas  
*Assistant Examiner*—Linda Brooks  
(74) *Attorney, Agent, or Firm*—Herbert Dubno

(\*\*) Term: **14 Years**

(57) **CLAIM**

(21) Appl. No.: **29/218,198**

The ornamental design for a desk or table lamp, as shown and described.

(22) Filed: **Nov. 29, 2004**

(30) **Foreign Application Priority Data**

**DESCRIPTION**

Jun. 1, 2004 (EM) ..... 000184221

(51) **LOC (8) Cl.** ..... **26-05**

(52) **U.S. Cl.** ..... **D26/107**

(58) **Field of Classification Search** ..... D26/93-112,  
D26/60-66; 362/410-414, 418

See application file for complete search history.

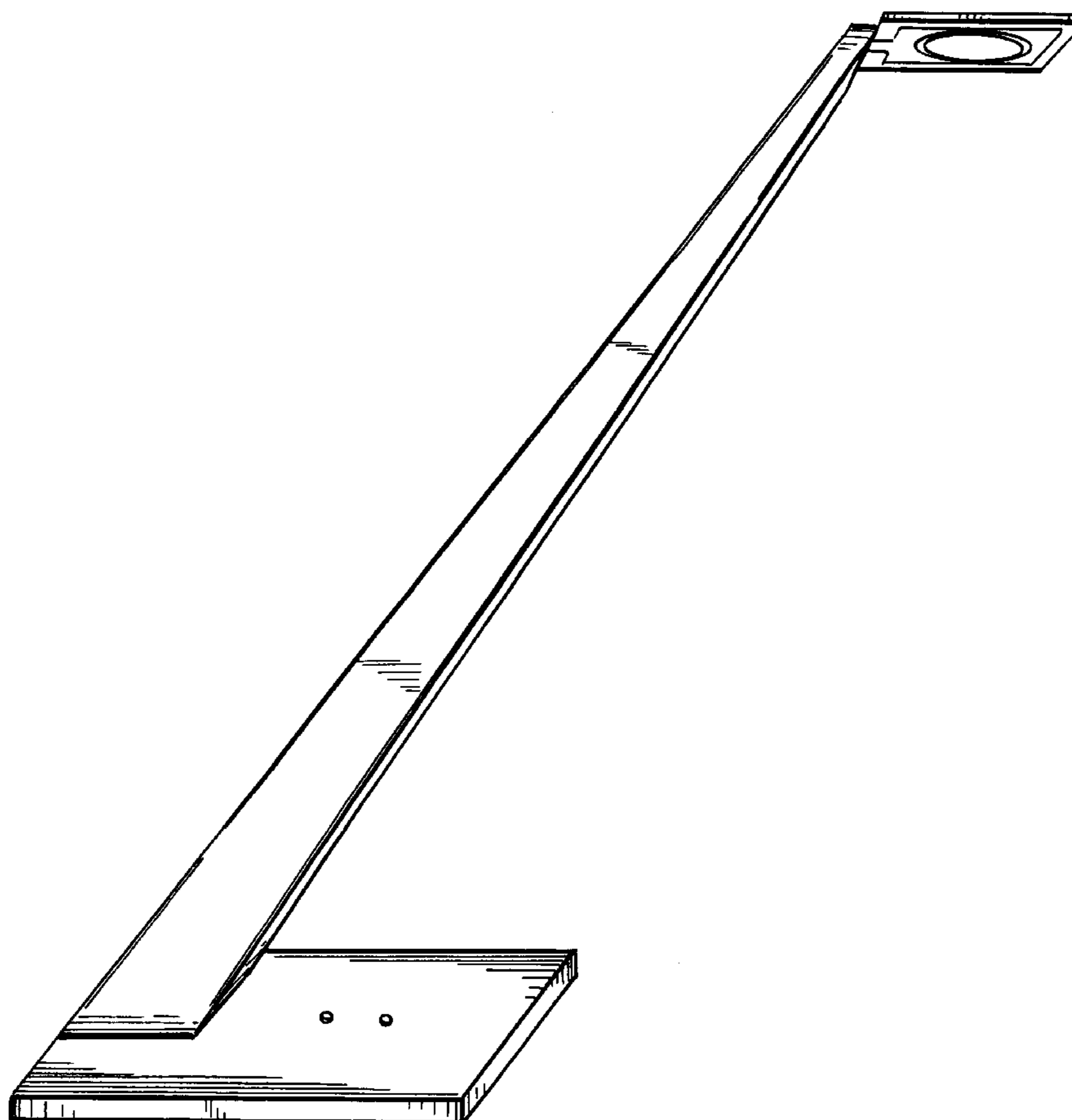
FIG. 1 is a front, left side perspective view of a desk or table lamp showing my new design;  
FIG. 2 is a top plan view thereof;  
FIG. 3 is a bottom plan view thereof;  
FIG. 4 is a front elevational view thereof;  
FIG. 5 is a left side elevational view thereof, the right side elevational view being mirror symmetrical thereto; and,  
FIG. 6 is a rear elevational view thereof.

(56) **References Cited**

**U.S. PATENT DOCUMENTS**

D325,997 S \* 5/1992 Dieperink et al. .... D26/107

**1 Claim, 4 Drawing Sheets**



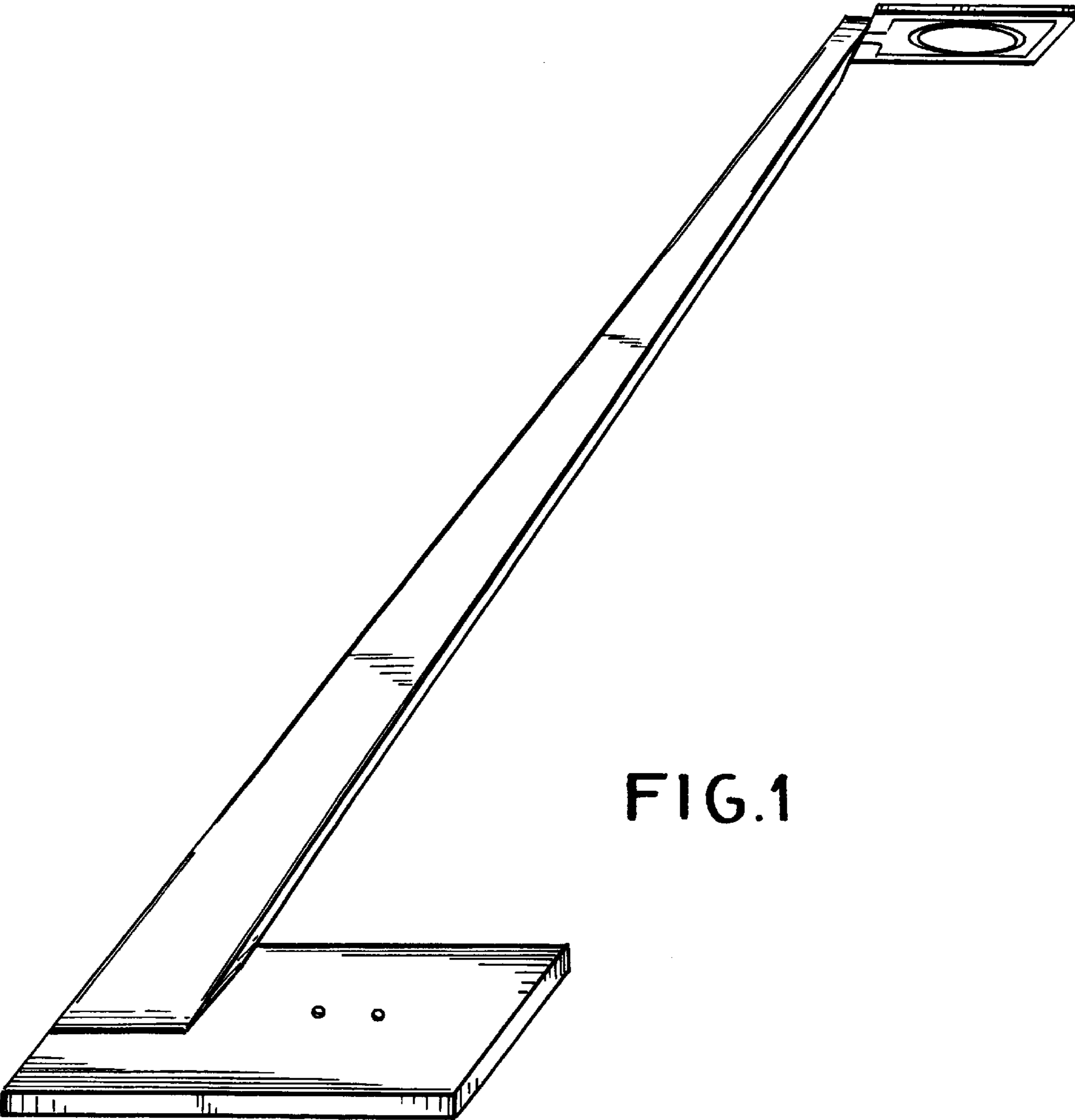


FIG.1

FIG.3

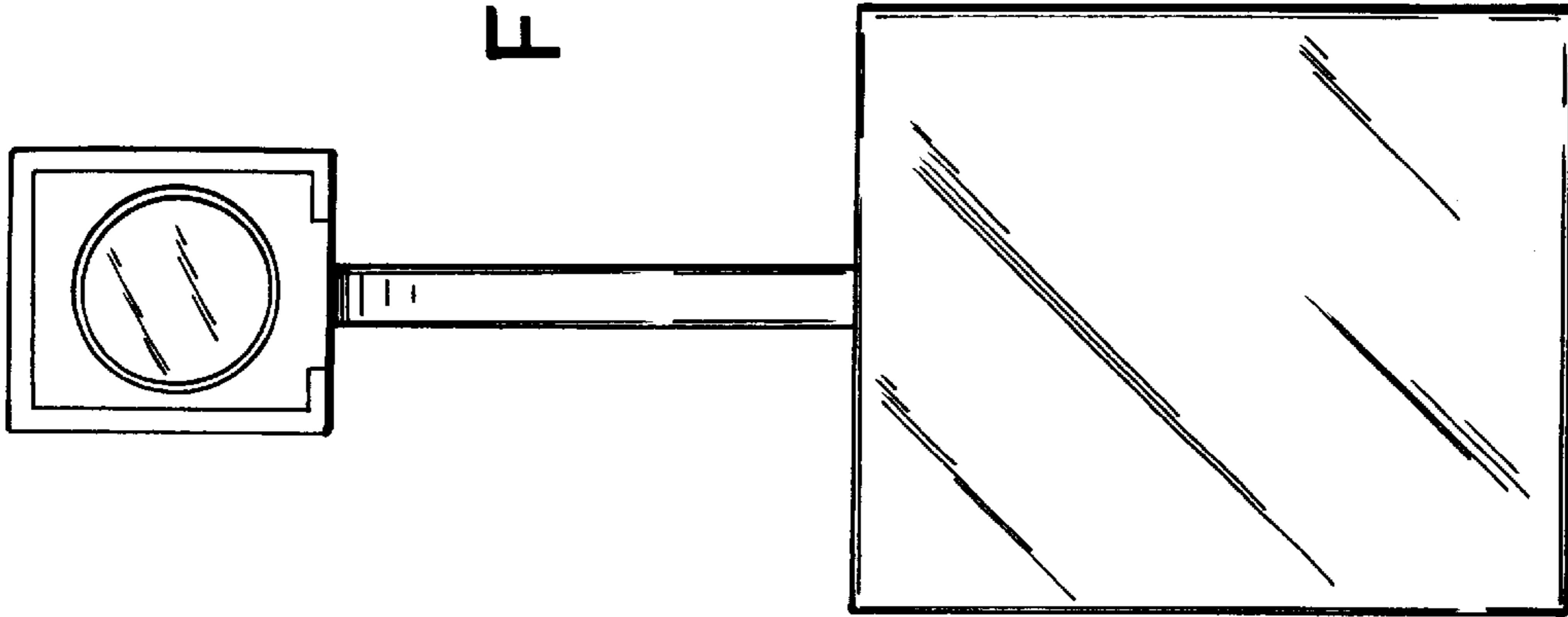
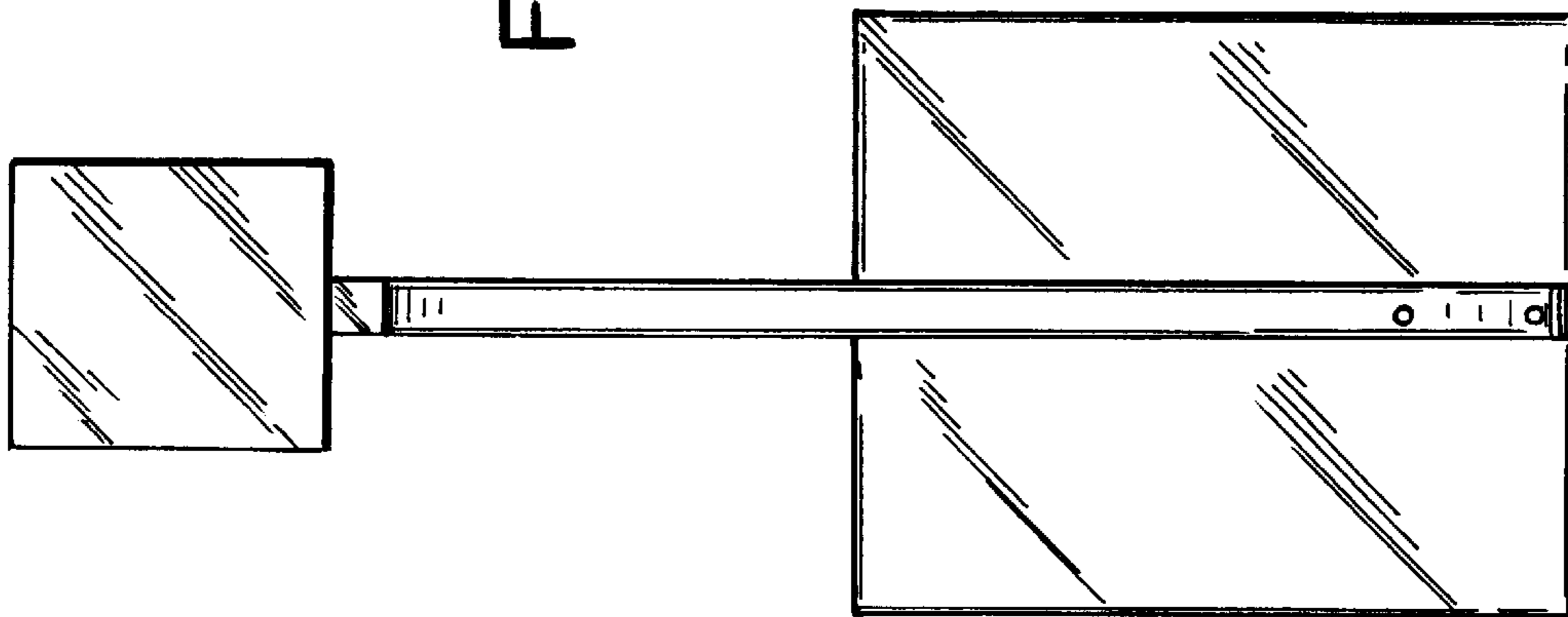


FIG.2



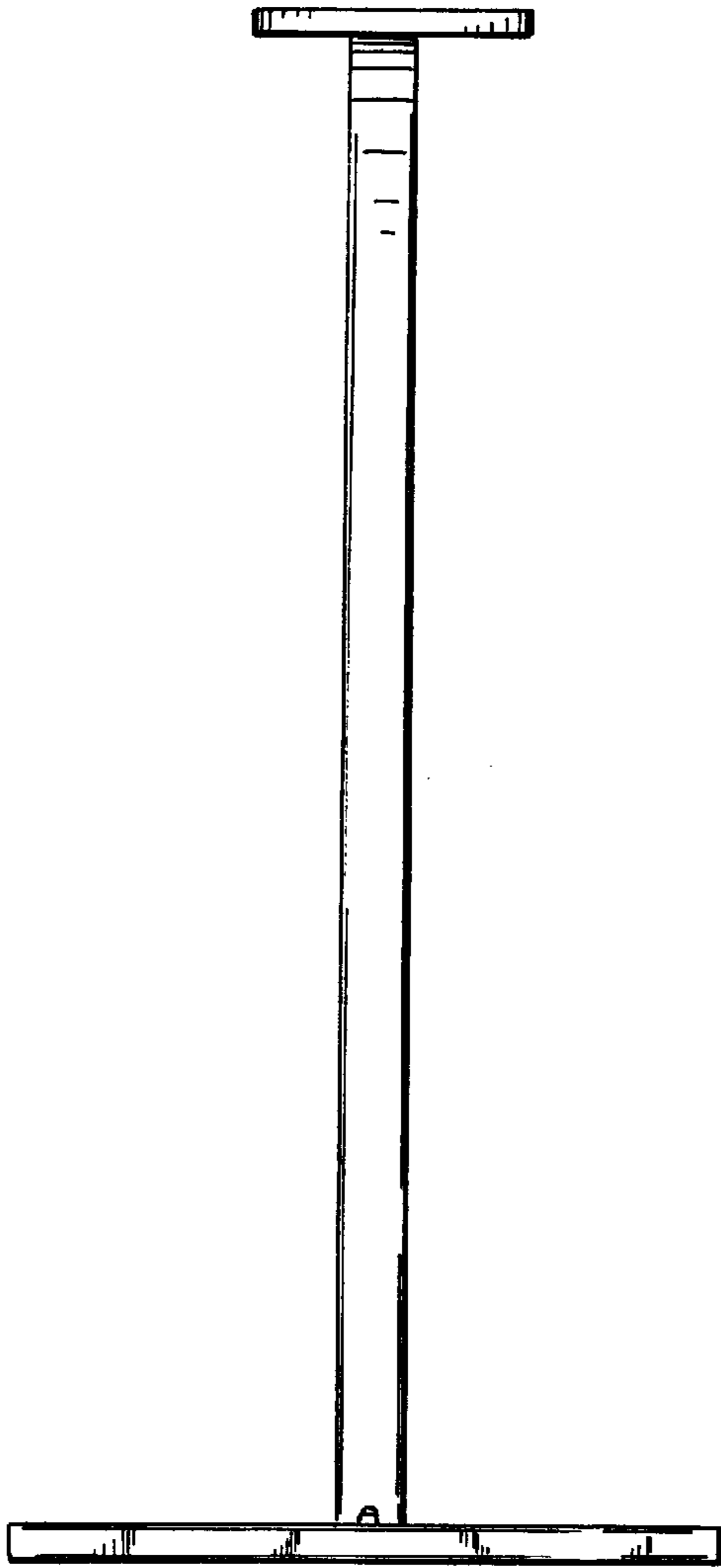


FIG. 4

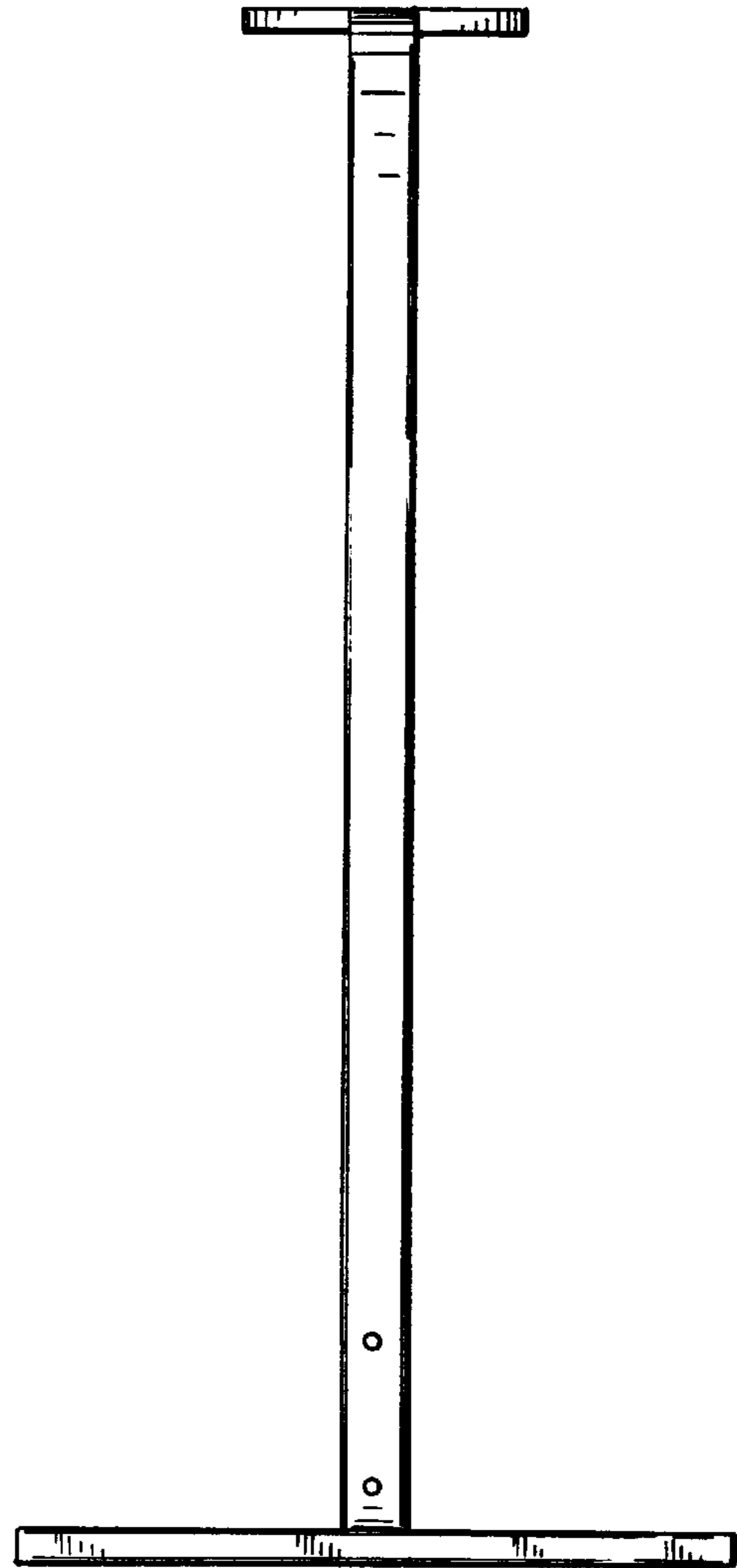


FIG. 6

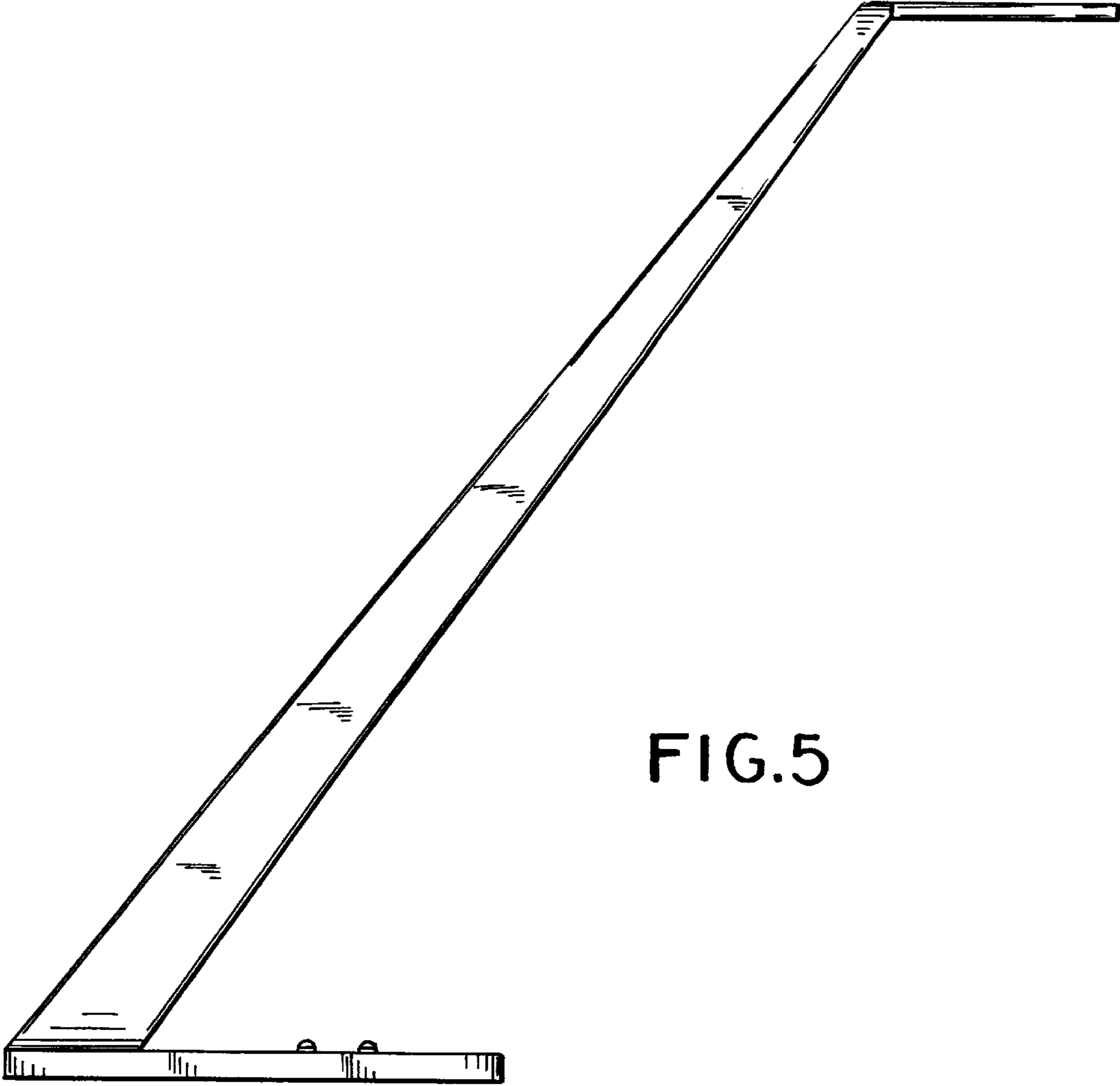


FIG.5