



US00D515234S

(12) **United States Design Patent**
Salatto-Rose

(10) **Patent No.:** **US D515,234 S**

(45) **Date of Patent:** **** Feb. 14, 2006**

(54) **LAMP**

(75) Inventor: **Darlene Salatto-Rose**, Hickory, NC
(US)

(73) Assignee: **Robert Abbey Inc.**, Hickory, NC (US)

(**) Term: **14 Years**

(21) Appl. No.: **29/218,650**

(22) Filed: **Dec. 6, 2004**

(51) **LOC (8) Cl.** **26-03**

(52) **U.S. Cl.** **D26/106**

(58) **Field of Classification Search** D26/93-112,
D26/142; 362/410-414

See application file for complete search history.

(56) **References Cited**

U.S. PATENT DOCUMENTS

D318,928 S * 8/1991 Lombardo D26/106

OTHER PUBLICATIONS

Taiwan Lighting Apr. 2002, lamp Nos. FL-7002B and
FL-7002R on p. 70.*

* cited by examiner

Primary Examiner—Alan P. Douglas

Assistant Examiner—Linda Brooks

(74) *Attorney, Agent, or Firm*—Alston & Bird LLP

(57) **CLAIM**

The ornamental design for a lamp, substantially as shown
and described.

DESCRIPTION

FIG. 1 is a perspective front view of a lamp showing my new
design;

FIG. 2 is a front elevation view thereof, the rear being a
mirror image;

FIG. 3 is a right side view thereof, the left side side being a
mirror image;

FIG. 4 is a top plan view thereof;

FIG. 5 is a perspective view of another embodiment of a
lamp showing my new design;

FIG. 6 is a front elevational view thereof, the rear being a
mirror image;

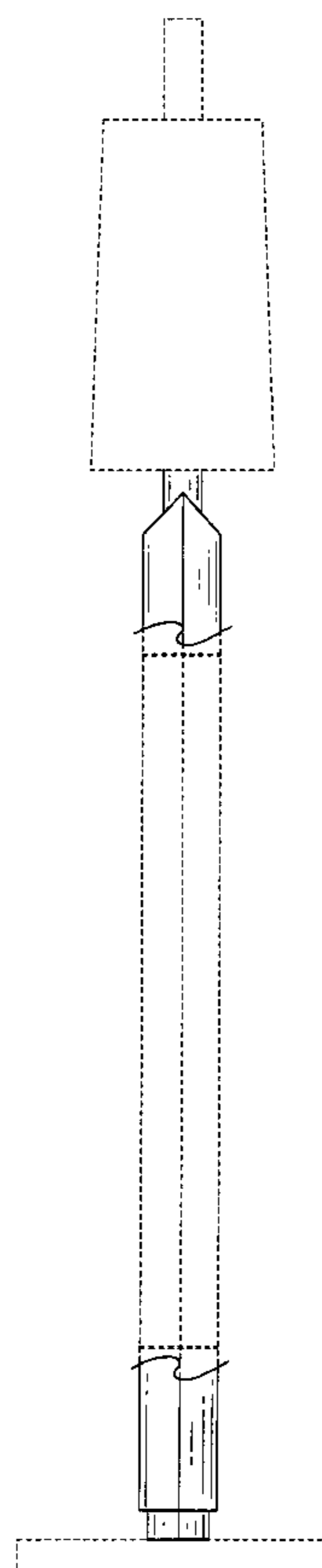
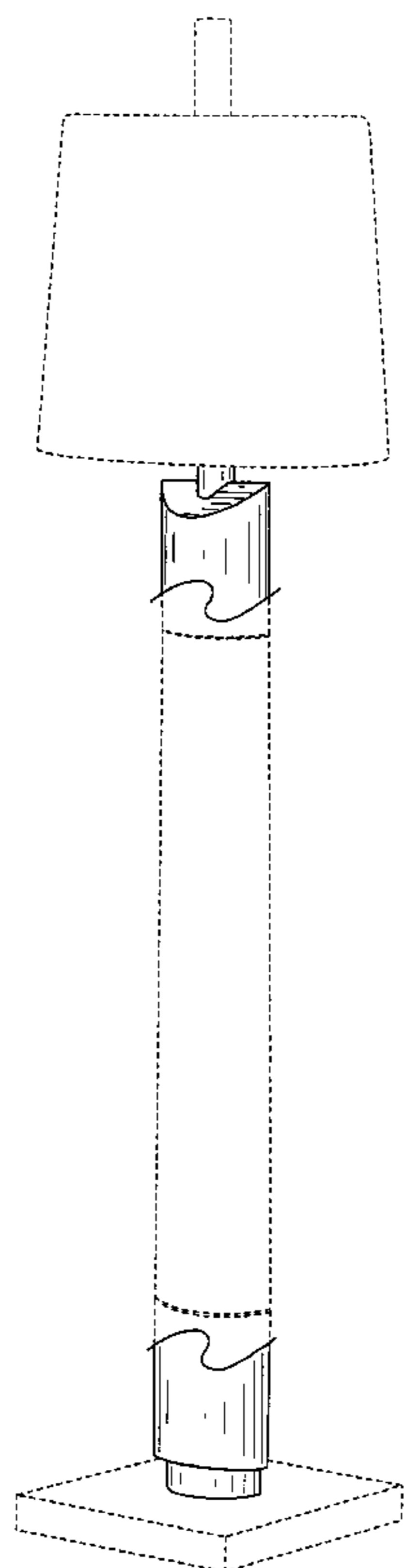
FIG. 7 is a right side view thereof, the left side being a mirror
image; and,

FIG. 8 is a top plan view thereof.

The broken line showing of environmental structure is for
illustrative purposes and does not form a part of the claimed
design.

The design is shown broken away to indicate indeterminate
length.

1 Claim, 7 Drawing Sheets



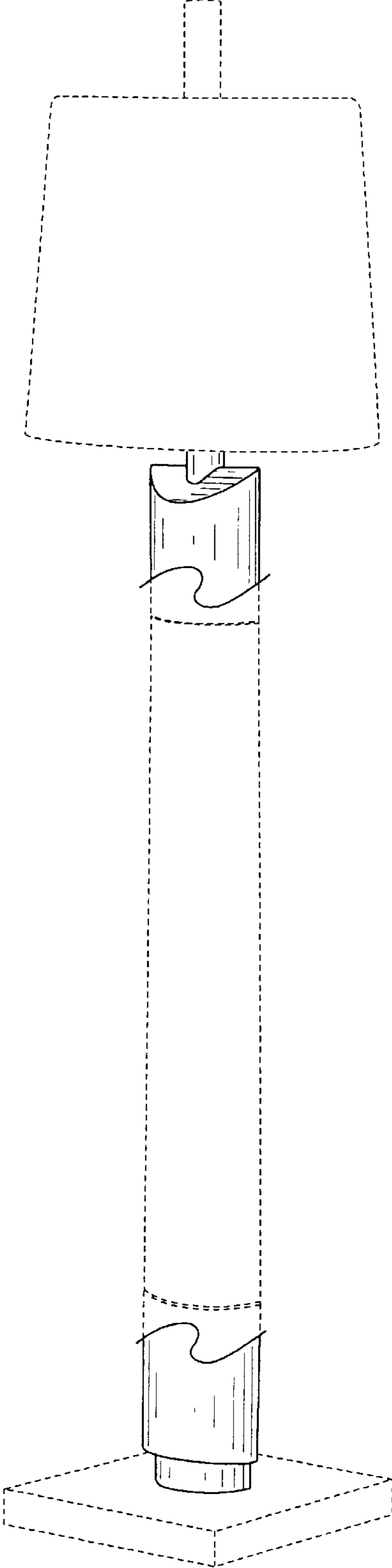


FIG. 1

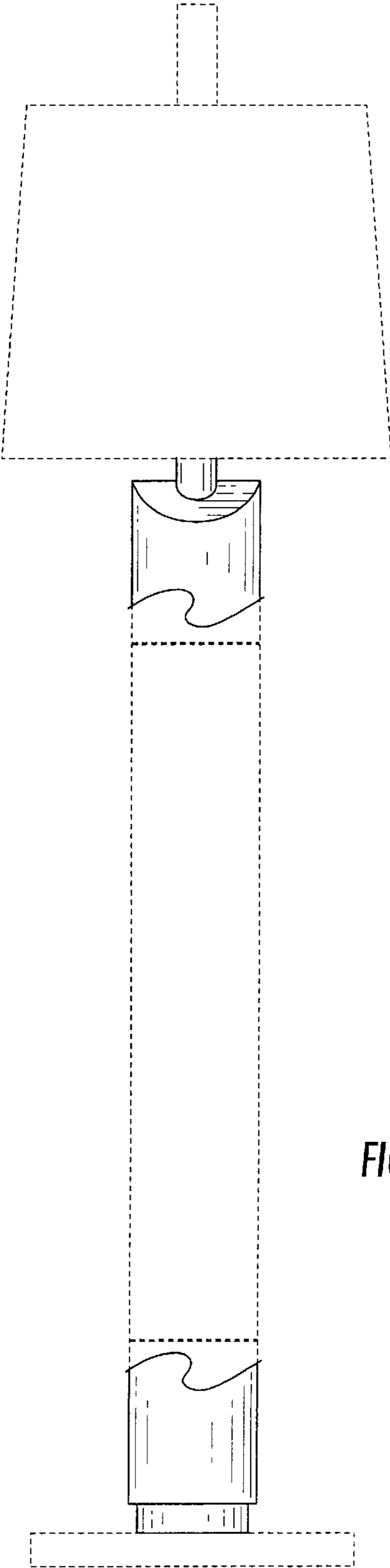


FIG. 2

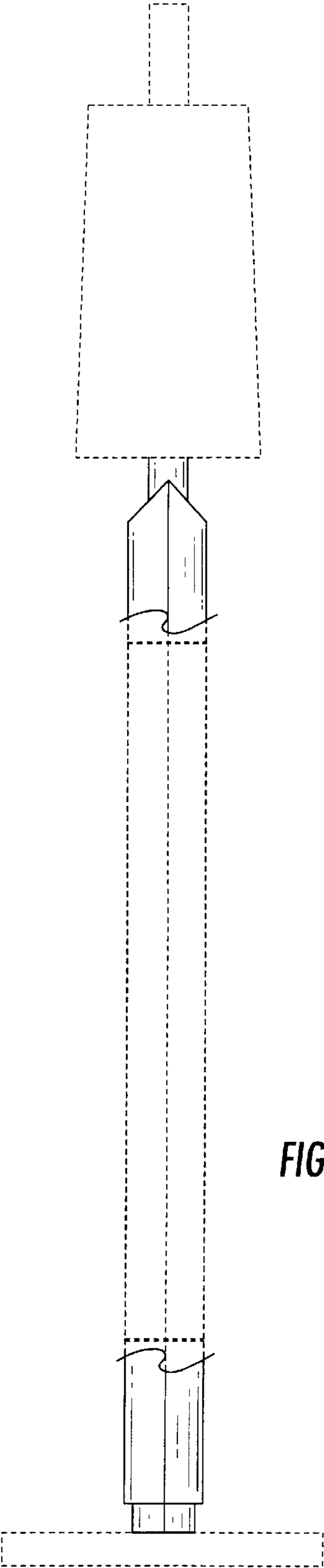


FIG. 3

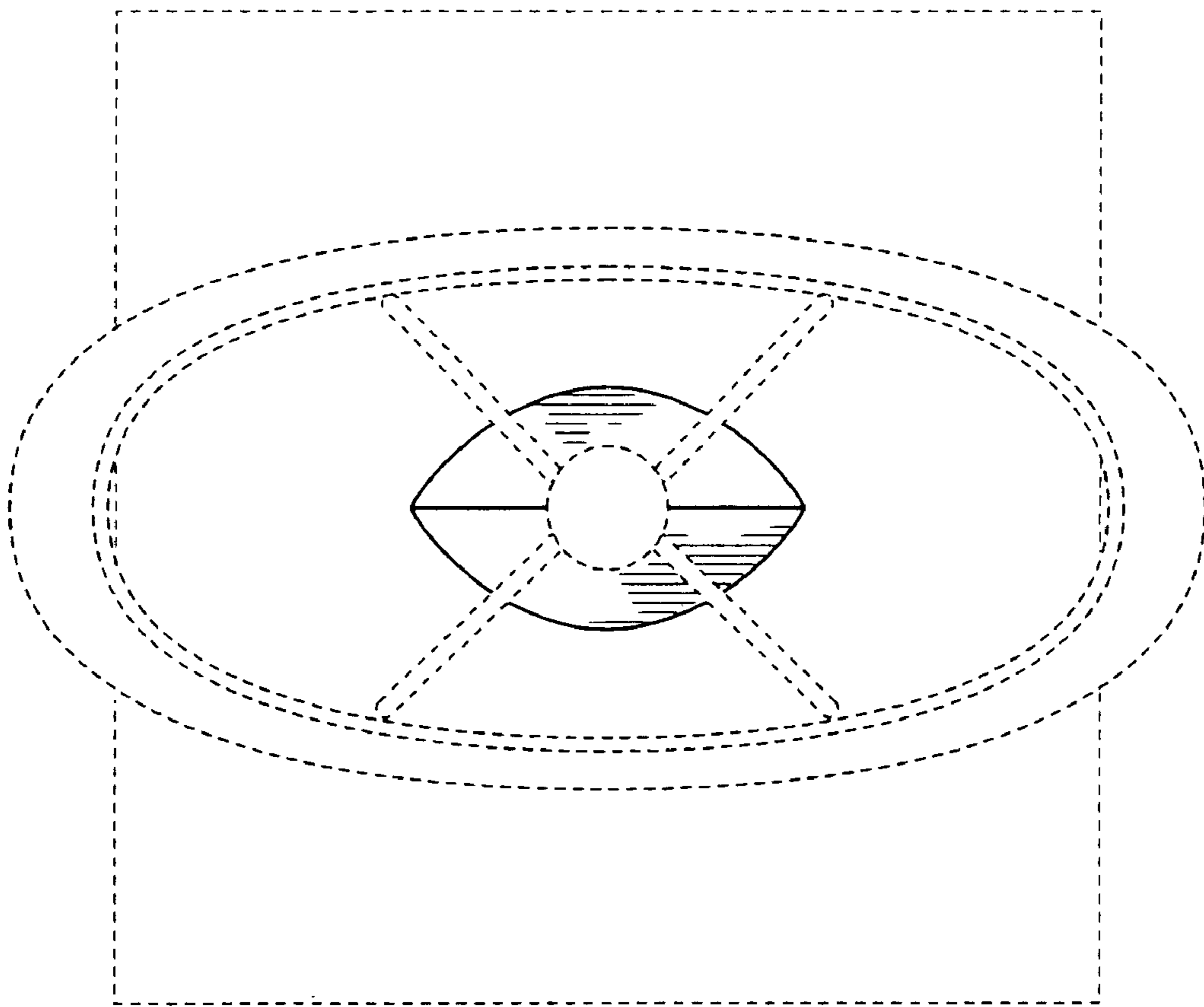


FIG. 4

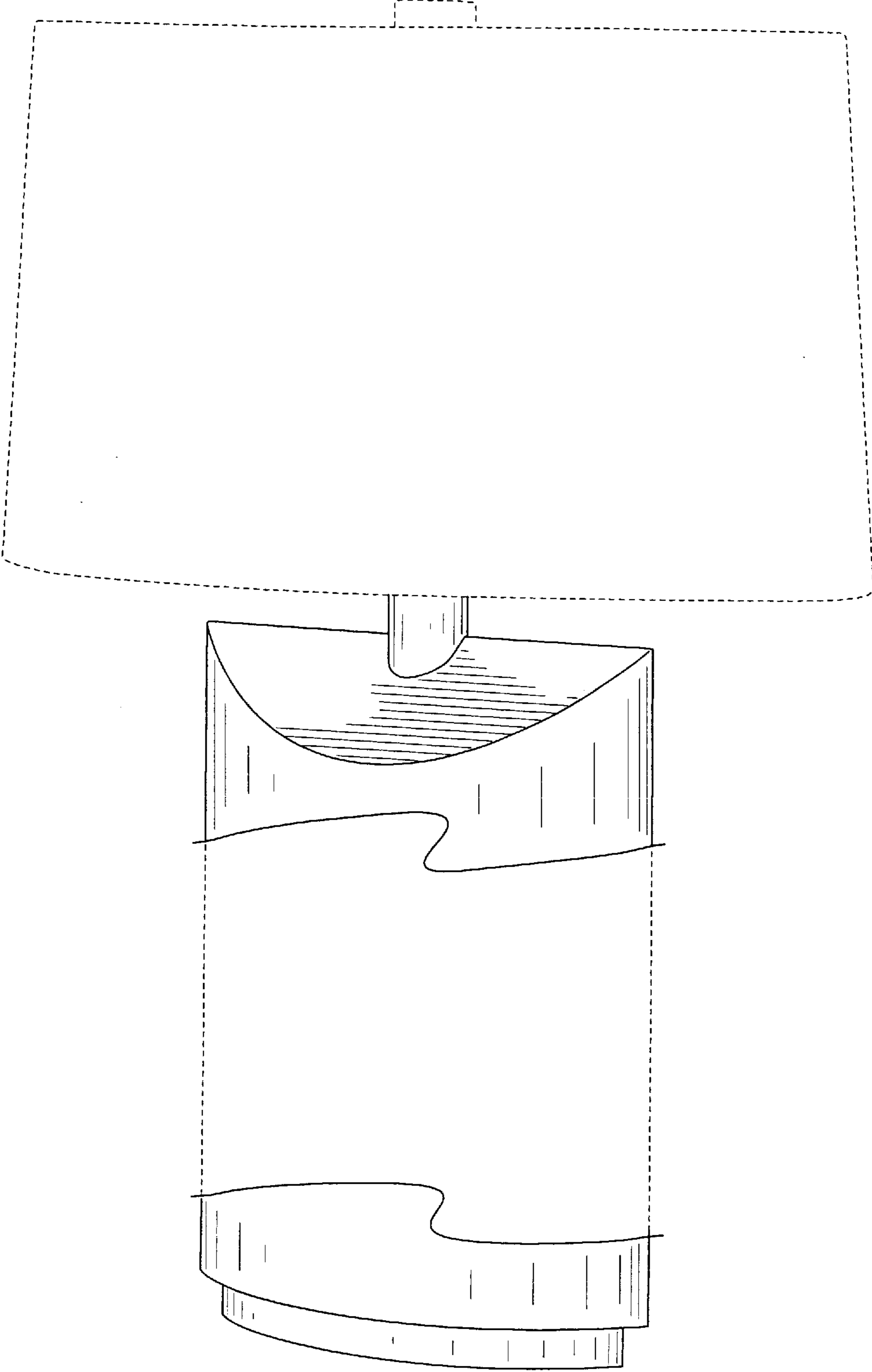


FIG. 5

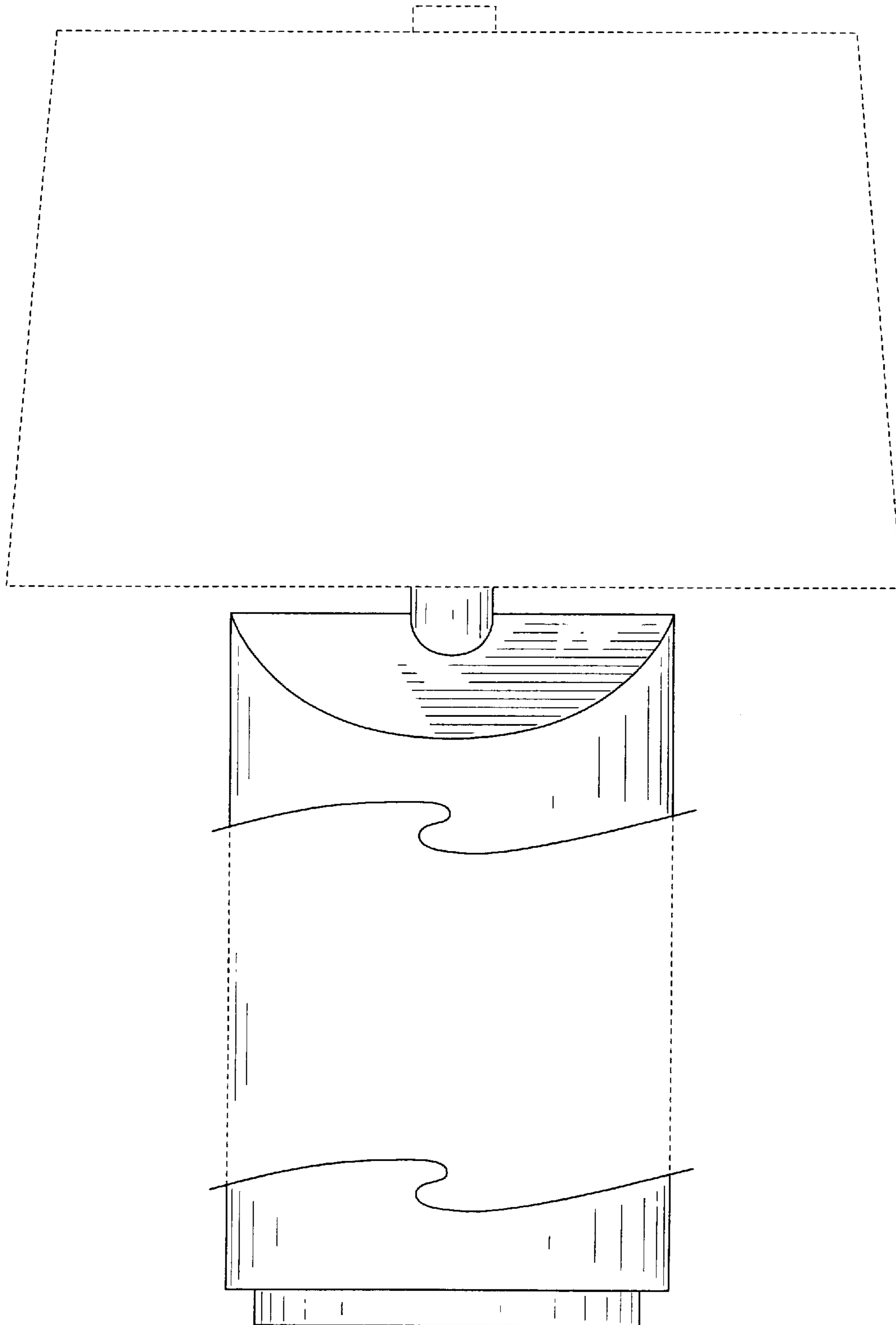


FIG. 6

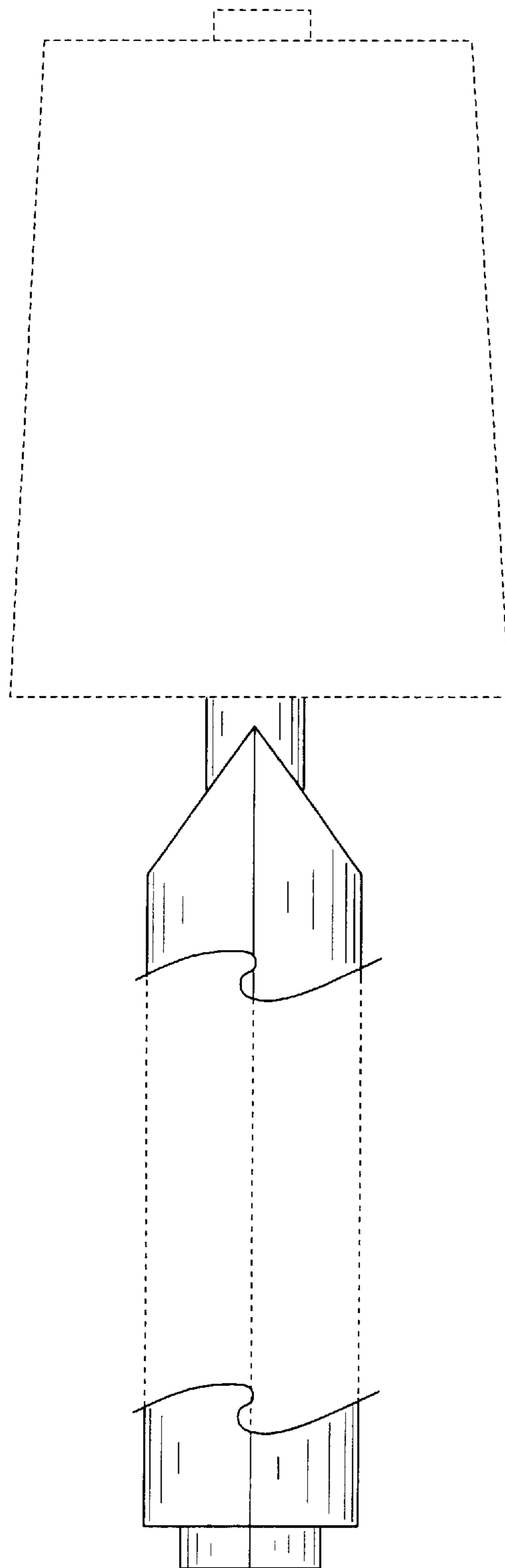


FIG. 7

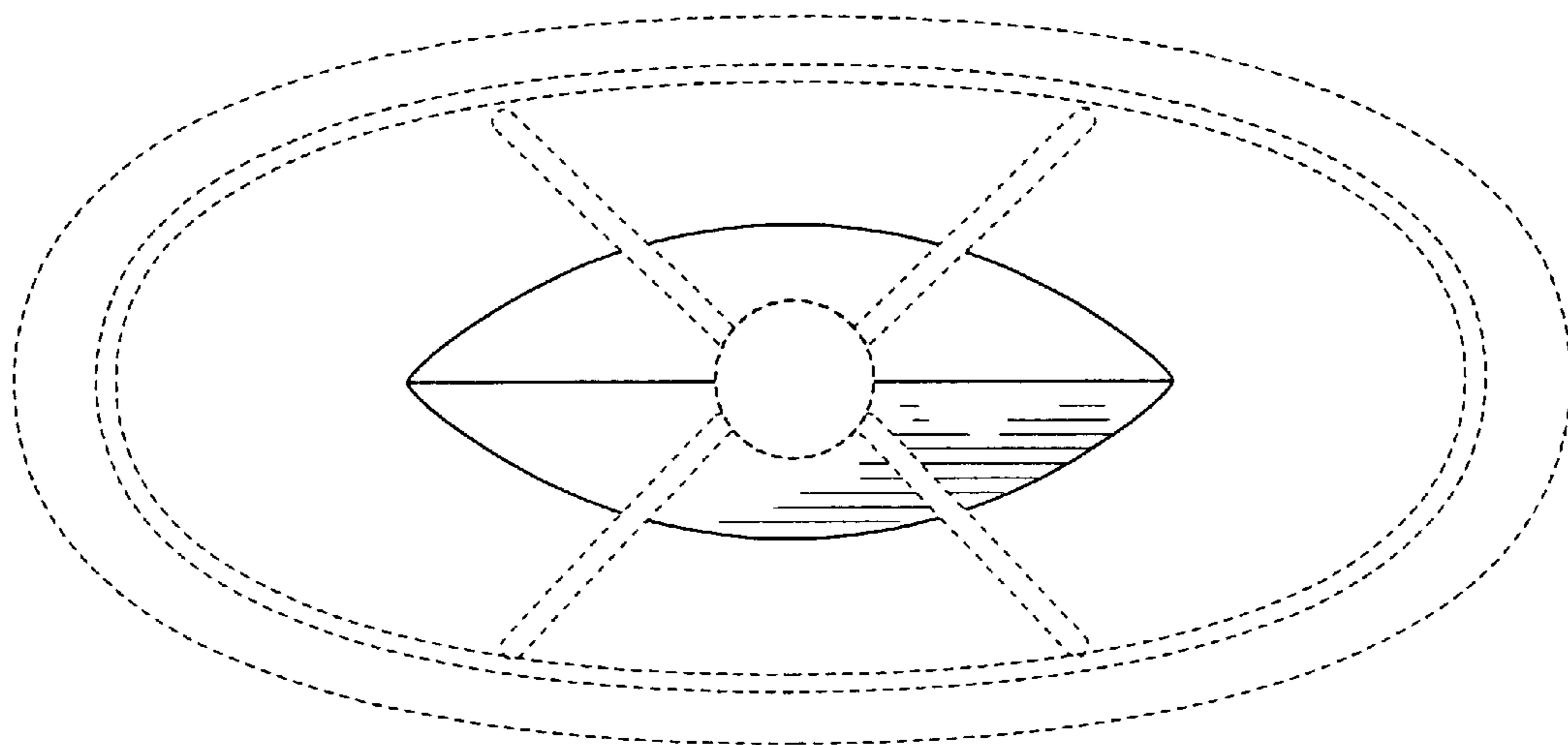


FIG. 8