



US00D515233S

(12) **United States Design Patent**
Miranda

(10) **Patent No.: US D515,233 S**
(45) **Date of Patent: ** Feb. 14, 2006**

(54) **LIGHTING FIXTURE VANITY STRIP**

OTHER PUBLICATIONS

(76) Inventor: **Pasquale Miranda**, 63- 2nd St., Garden City, NY (US) 11530

“The Big Book” by Murray Feiss, Edition 2004. (2 pages) Item VS8003 PN from the Canterbury Collection on p. 164; and Item VS6703 PB from the Bristol VCollection on p. 170.*

(**) Term: **14 Years**

Quoizel’s 2004 catalog. Item DR 8737C from the Dorian Collection on p. 254.*

(21) Appl. No.: **29/211,513**

* cited by examiner

(22) Filed: **Aug. 17, 2004**

Primary Examiner—Clare E Heflin

(51) **LOC (8) Cl. 26-03**

(57) **CLAIM**

(52) **U.S. Cl. D26/87; D26/86; D26/92**

The ornamental design of a lighting fixture vanity strip, as shown and described.

(58) **Field of Classification Search** D26/72, D26/80, 83–87, 92, 145, 155; 362/147, 432, 362/404–408, 806

DESCRIPTION

See application file for complete search history.

FIG. 1 is a front elevational view of lighting fixture vanity strip showing my new design; FIG. 2 is a left side elevational view thereof; FIG. 3 is a top plan view thereof; and, FIG. 4 is a bottom plan view thereof.

(56) **References Cited**

The broken-line showing of environmental structures in FIGS. 1–4 is for illustrative purposes only and forms no part of the claimed design.

U.S. PATENT DOCUMENTS

D48,158 S	*	11/1915	Morrell	D26/92
D367,335 S	*	2/1996	Kay	D26/92
D367,725 S	*	3/1996	Segill et al.	D26/87
D391,662 S	*	3/1998	Miranda	D26/87

1 Claim, 2 Drawing Sheets

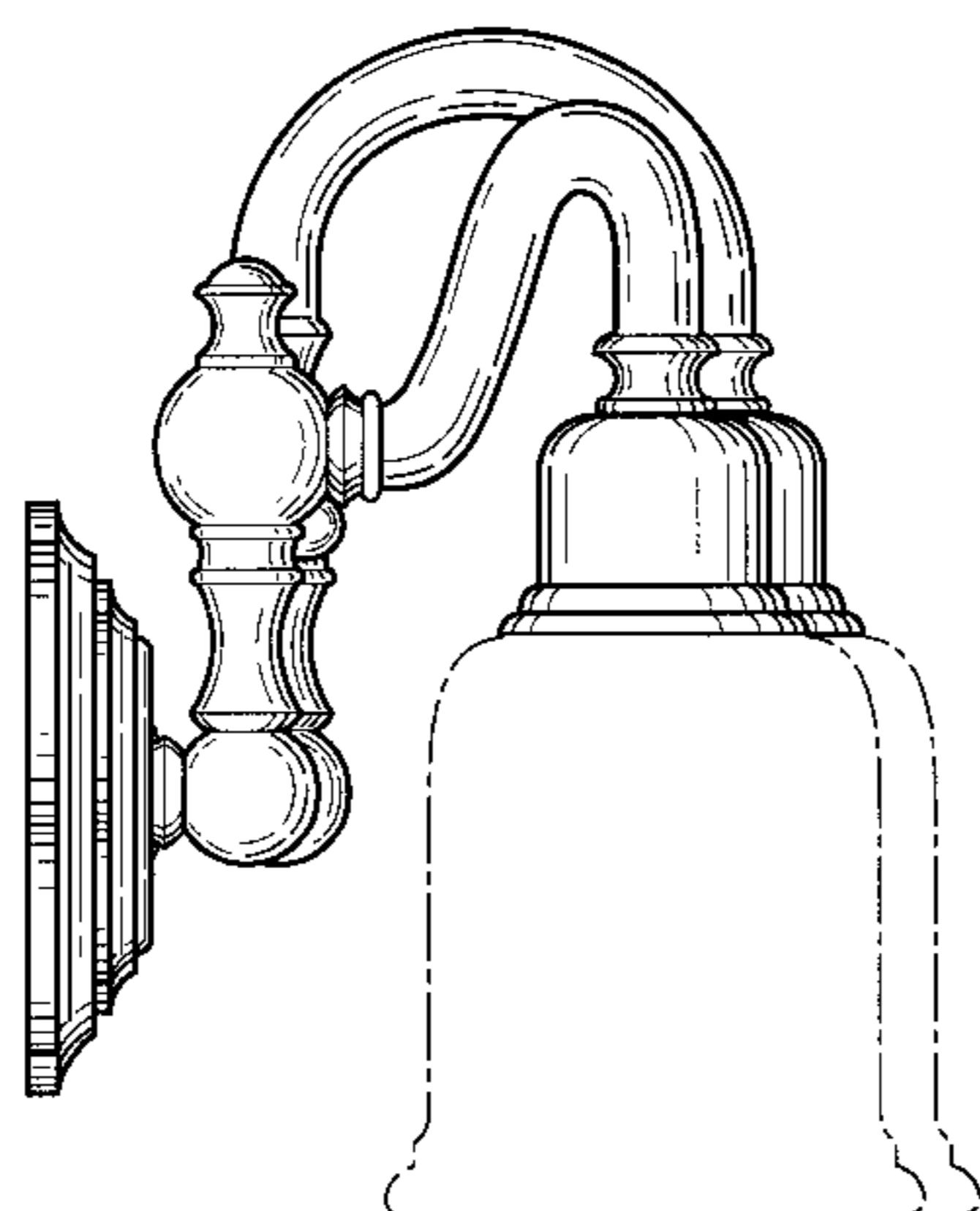
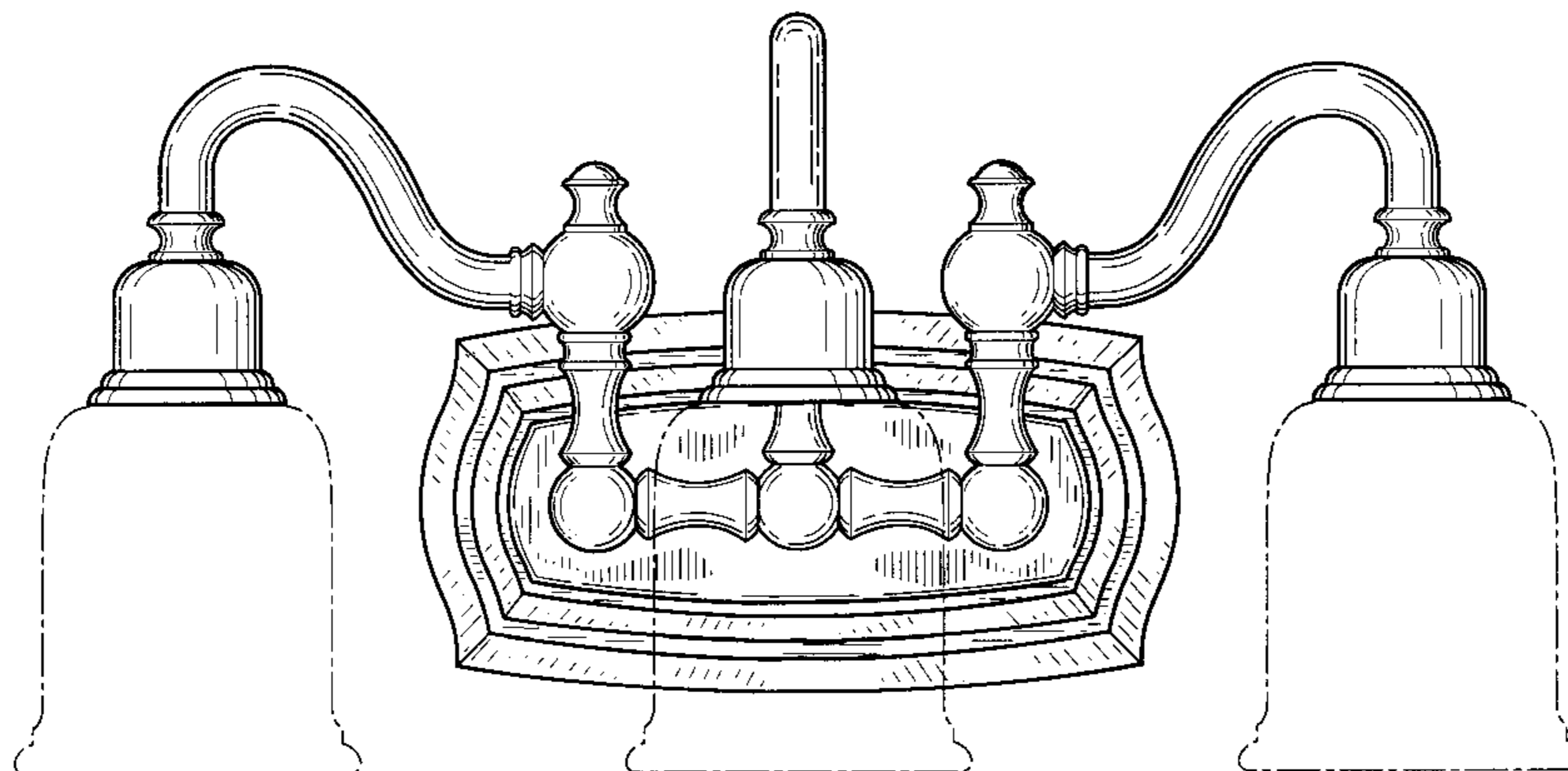


FIG. 1

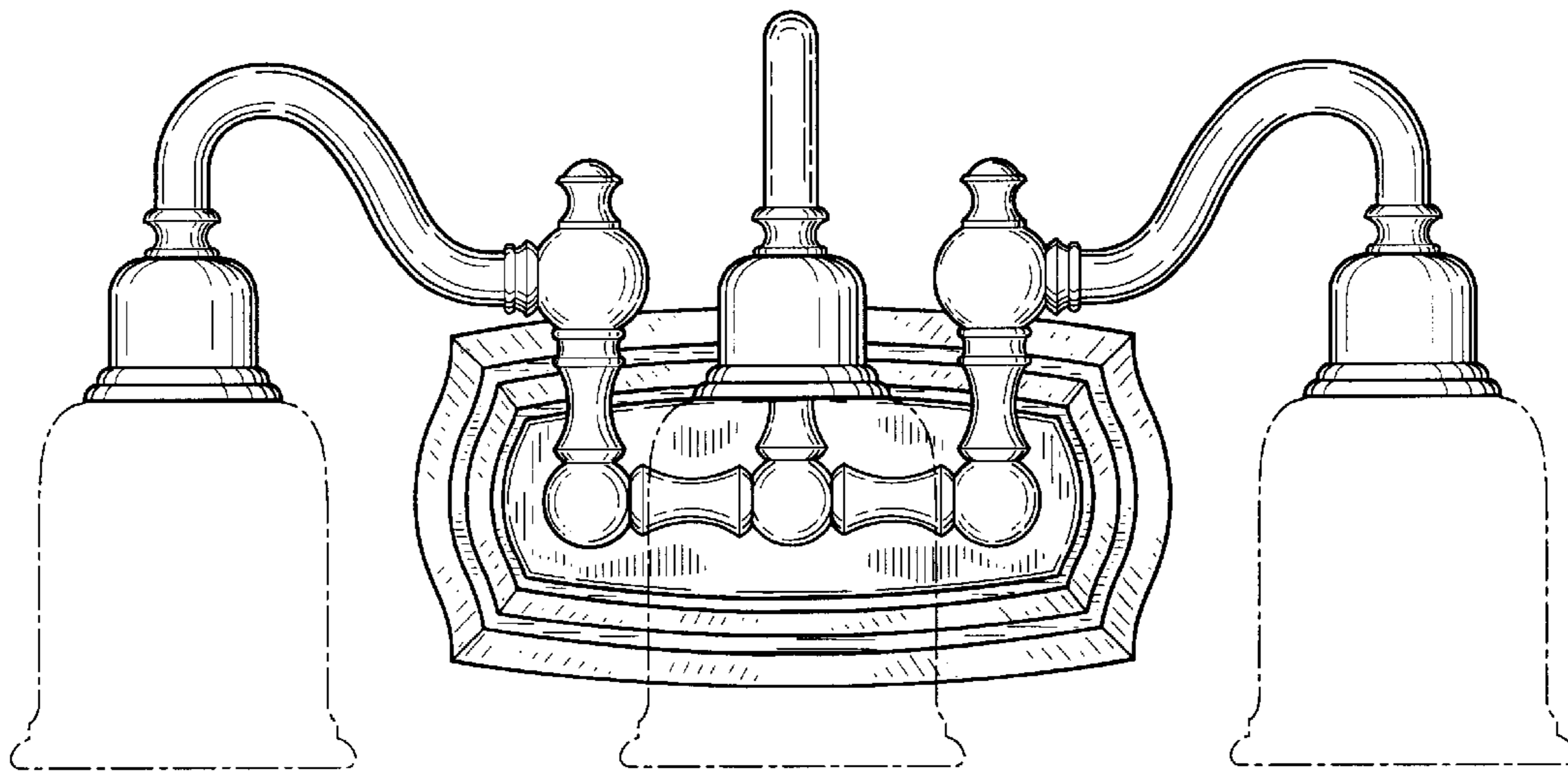


FIG. 2

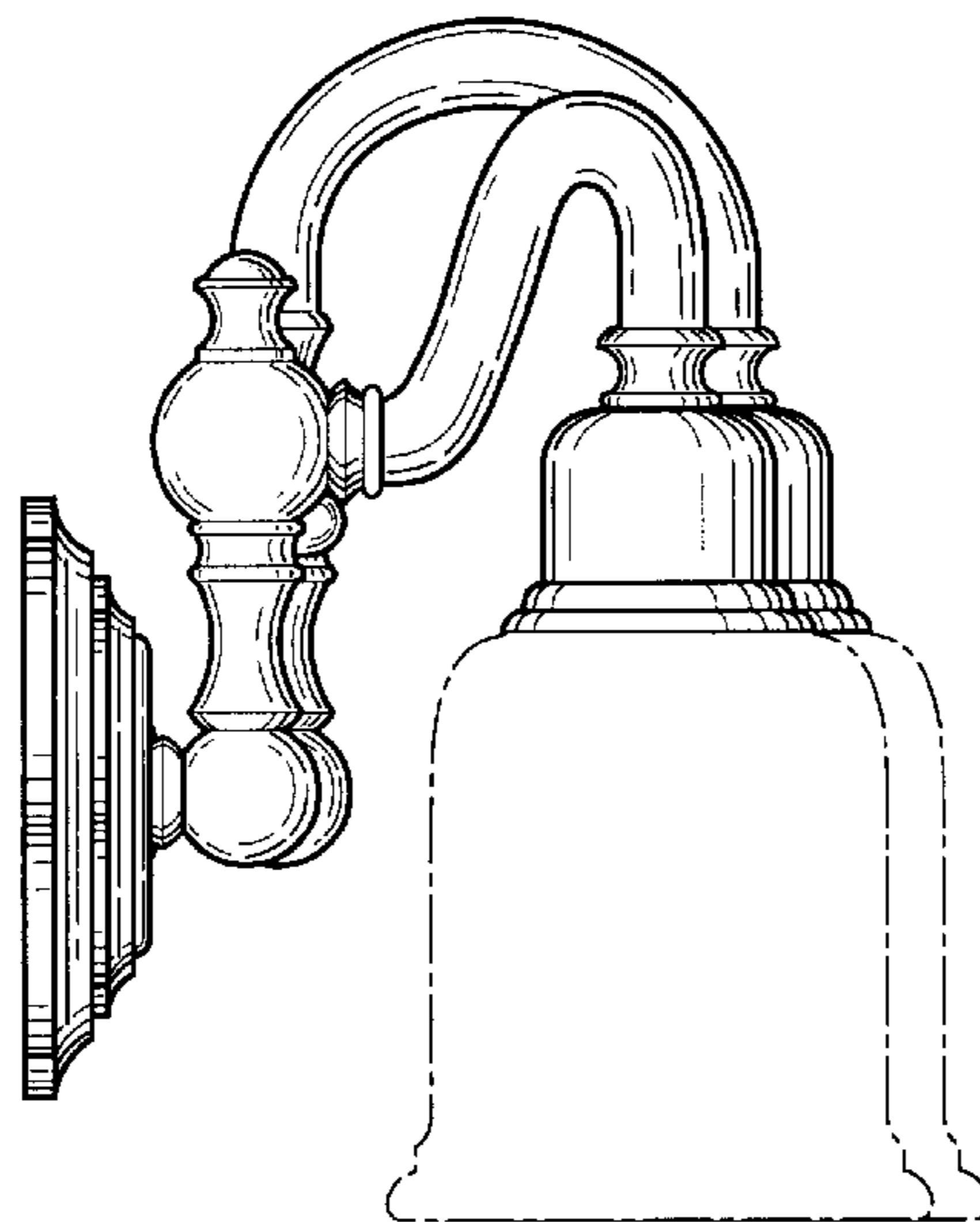


FIG. 3

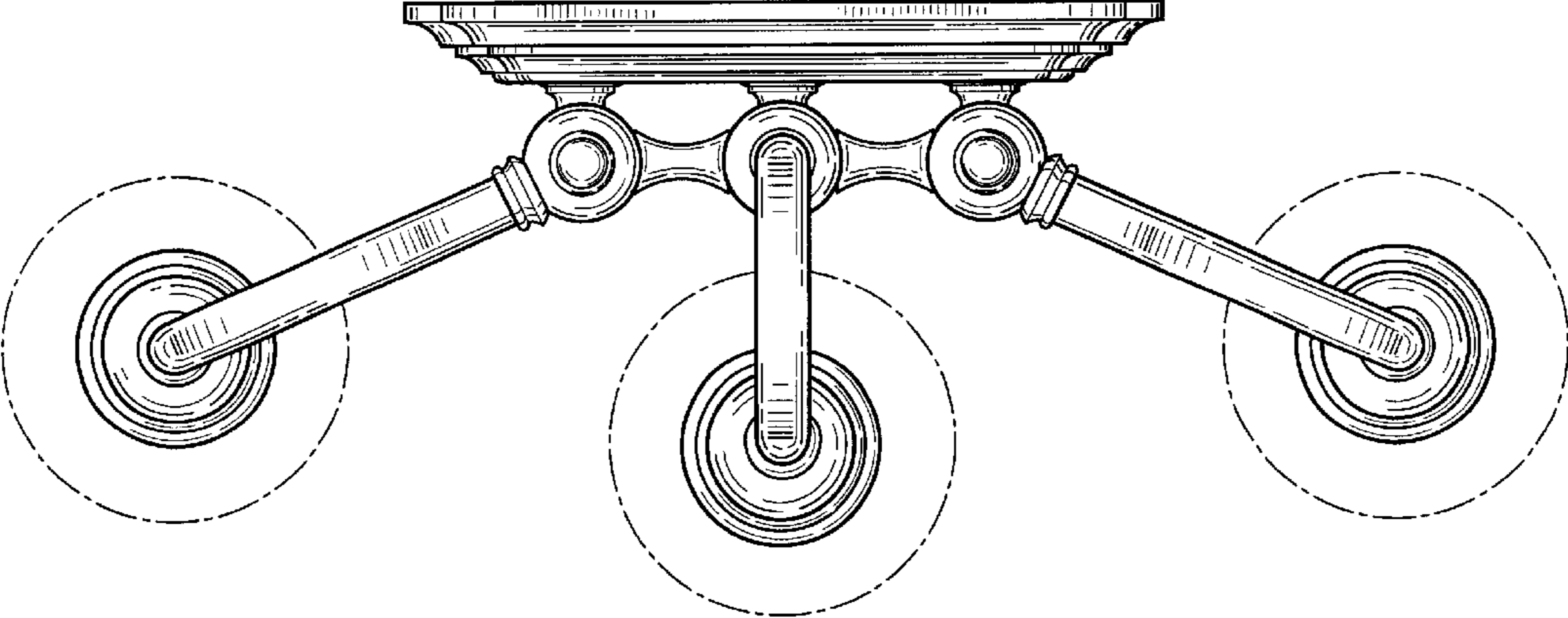


FIG. 4

