

US00D515231S

(12) **United States Design Patent**
Randazzo et al.

(10) **Patent No.:** **US D515,231 S**
(45) **Date of Patent:** **** Feb. 14, 2006**

(54) **LIGHTING FIXTURE**

(75) Inventors: **Larry G. Randazzo**, Brea, CA (US);
Cory W. Landefeld, Long Beach, CA (US)

(73) Assignee: **Hubbell Incorporated**, Orange, CT (US)

(**) Term: **14 Years**

(21) Appl. No.: **29/197,358**

(22) Filed: **Jan. 14, 2004**

(51) **LOC (8) Cl.** **26-05**

(52) **U.S. Cl.** **D26/67**

(58) **Field of Classification Search** D26/67-72,
D26/87, 92, 118; 362/152, 153, 153.1, 159,
362/183, 266, 363, 431, 432

See application file for complete search history.

(56) **References Cited**

U.S. PATENT DOCUMENTS

| | | | | | |
|-------------|---|---------|------------|-------|---------|
| D63,205 S | * | 10/1923 | Toensfeldt | | D26/24 |
| D65,437 S | * | 8/1924 | Gosling | | D26/67 |
| D74,811 S | * | 3/1928 | Townsend | | D26/67 |
| D76,062 S | * | 8/1928 | Shortt | | D26/87 |
| D77,410 S | * | 1/1929 | Harris | | D26/129 |
| D98,394 S | * | 1/1936 | Gosling | | D26/67 |
| 2,082,687 A | | 6/1937 | Davis | | |
| 2,106,995 A | | 2/1938 | Clary | | |
| 2,125,635 A | | 8/1938 | Hobart | | |
| D187,490 S | * | 3/1960 | Hammes | | D26/58 |
| 3,591,798 A | | 7/1971 | Florence | | |
| 4,337,506 A | | 6/1982 | Terada | | |
| 4,388,678 A | | 6/1983 | Turner | | |

| | | | | | |
|-------------|---|---------|---------------|-------|--------|
| 4,517,631 A | | 5/1985 | Mullins | | |
| 4,994,946 A | | 2/1991 | NakaMats | | |
| 5,134,550 A | | 7/1992 | Young | | |
| 5,685,633 A | | 11/1997 | Engel | | |
| 5,906,425 A | | 5/1999 | Gordin et al. | | |
| 5,988,829 A | | 11/1999 | Holder | | |
| D456,547 S | * | 4/2002 | Leen | | D26/67 |

* cited by examiner

Primary Examiner—Clare E Heflin

(74) *Attorney, Agent, or Firm*—Michael E. Stimson; Alfred N. Goodman; Mark S. Bicks

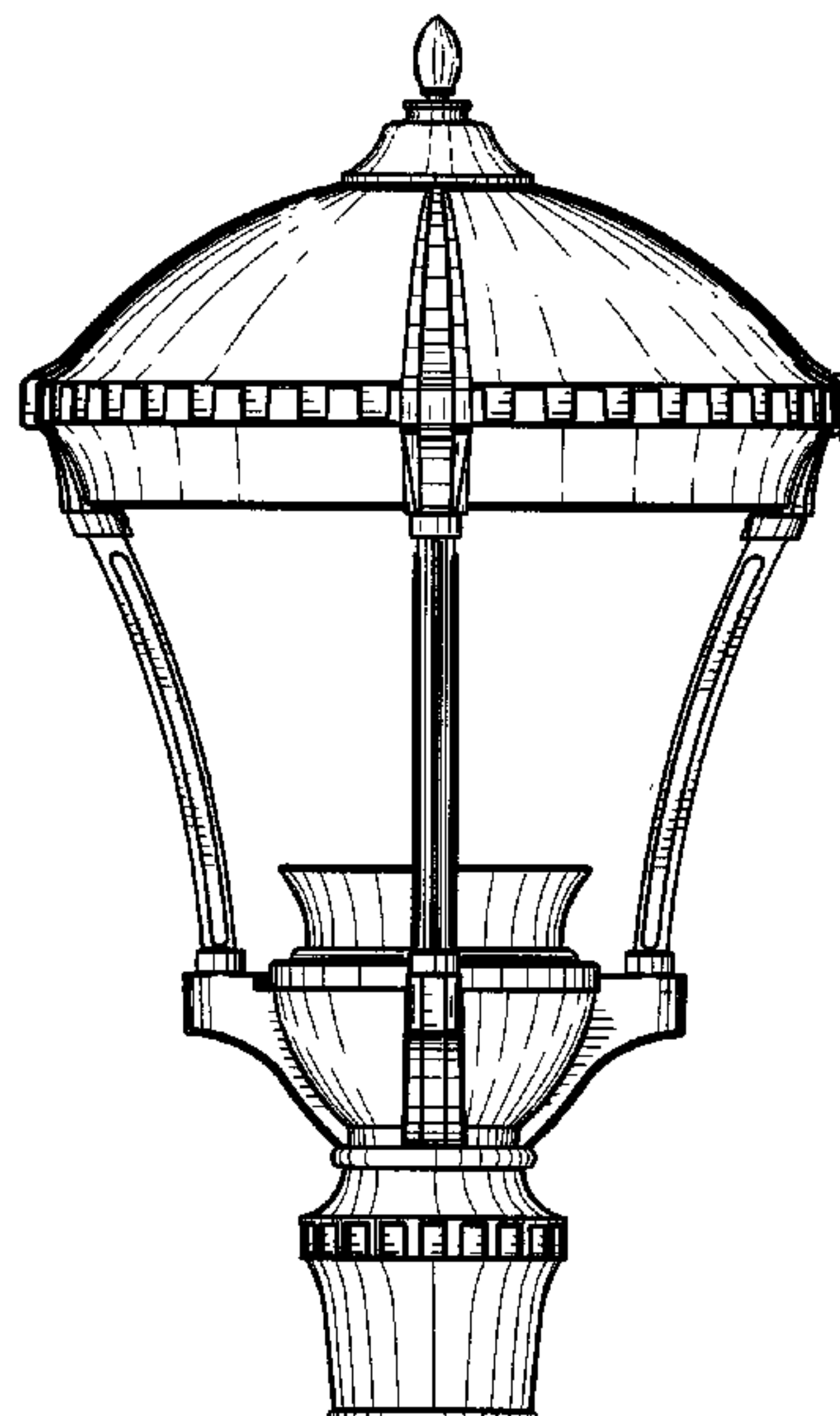
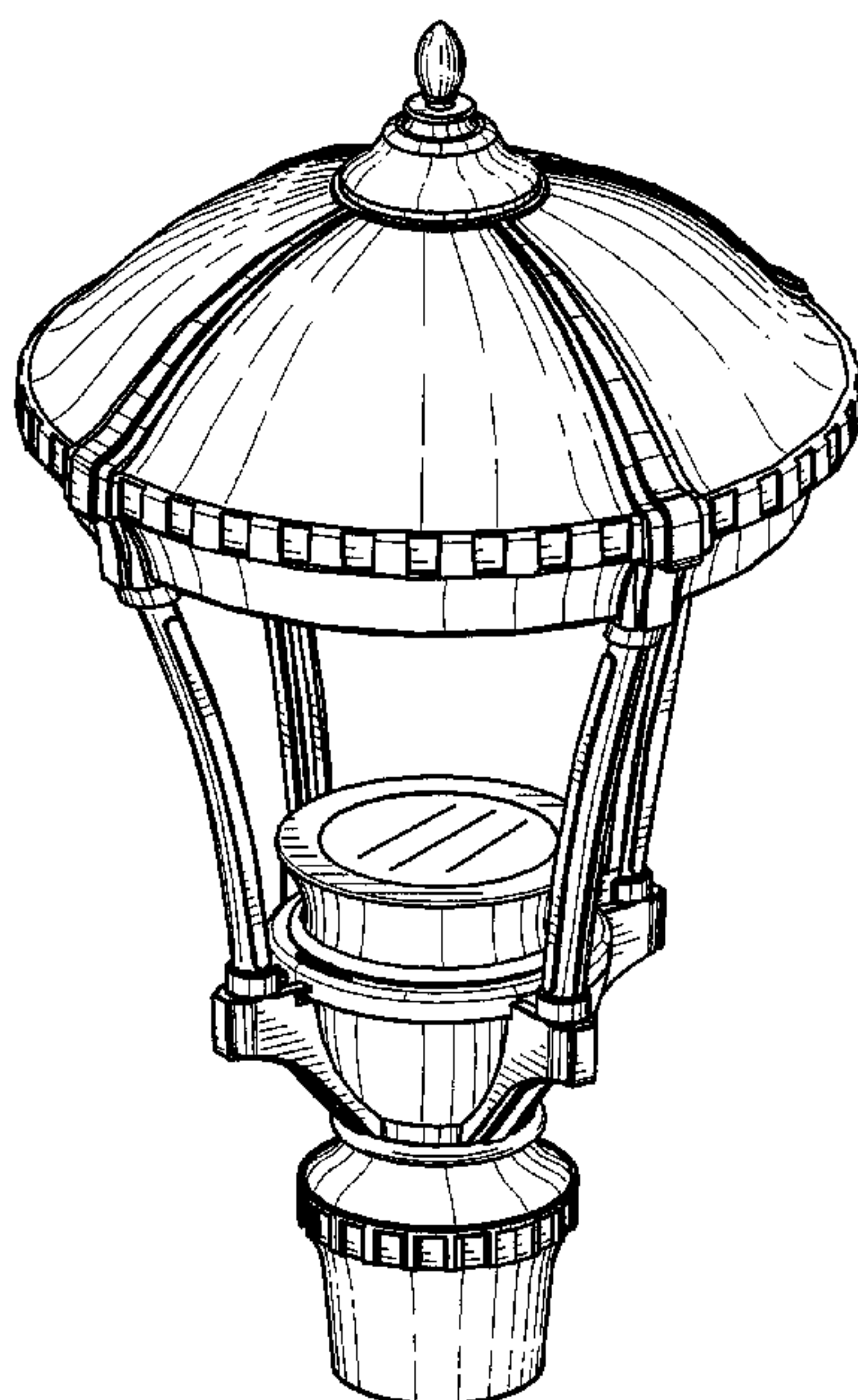
(57) **CLAIM**

The ornamental design for a lighting fixture, as shown and described.

DESCRIPTION

FIG. 1 is a perspective view of lighting fixture in accordance with a first embodiment of the present design;
 FIG. 2 is a side elevational view of the lighting fixture illustrated in FIG. 1;
 FIG. 3 is a top plan view of the lighting fixture illustrated in FIGS. 1 and 2;
 FIG. 4 is a bottom plan view of the lighting fixture illustrated in FIGS. 1-3; and
 FIG. 5 is a perspective view of a lighting fixture in accordance with a second embodiment of the present design;
 FIG. 6 is a side elevational view of the lighting fixture illustrated in FIG. 5;
 FIG. 7 is a top plan view of the lighting fixture illustrated in FIGS. 5 and 6; and,
 FIG. 8 is a bottom plan view of the lighting fixture illustrated in FIGS. 5-7.

1 Claim, 6 Drawing Sheets



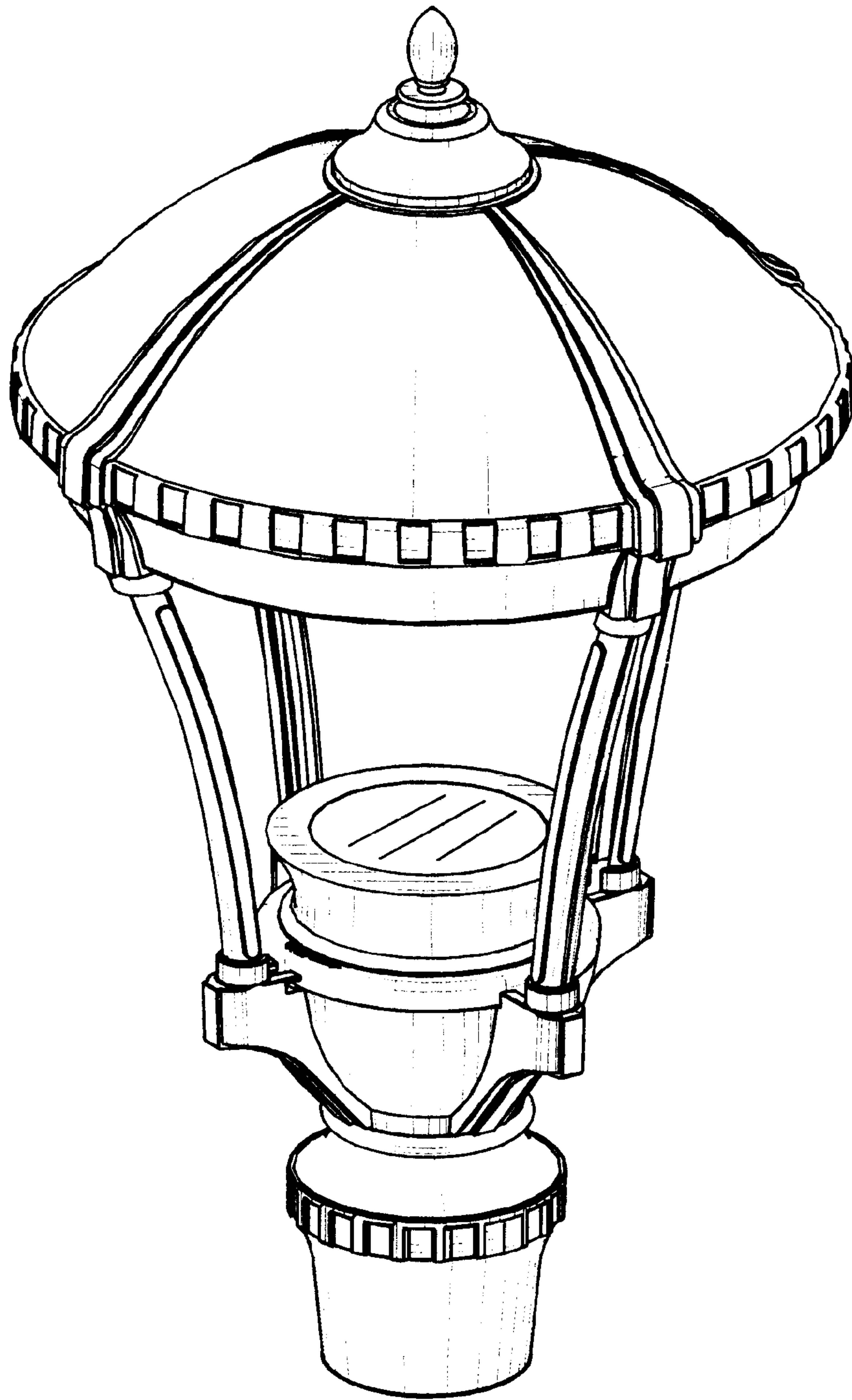


FIG. 1

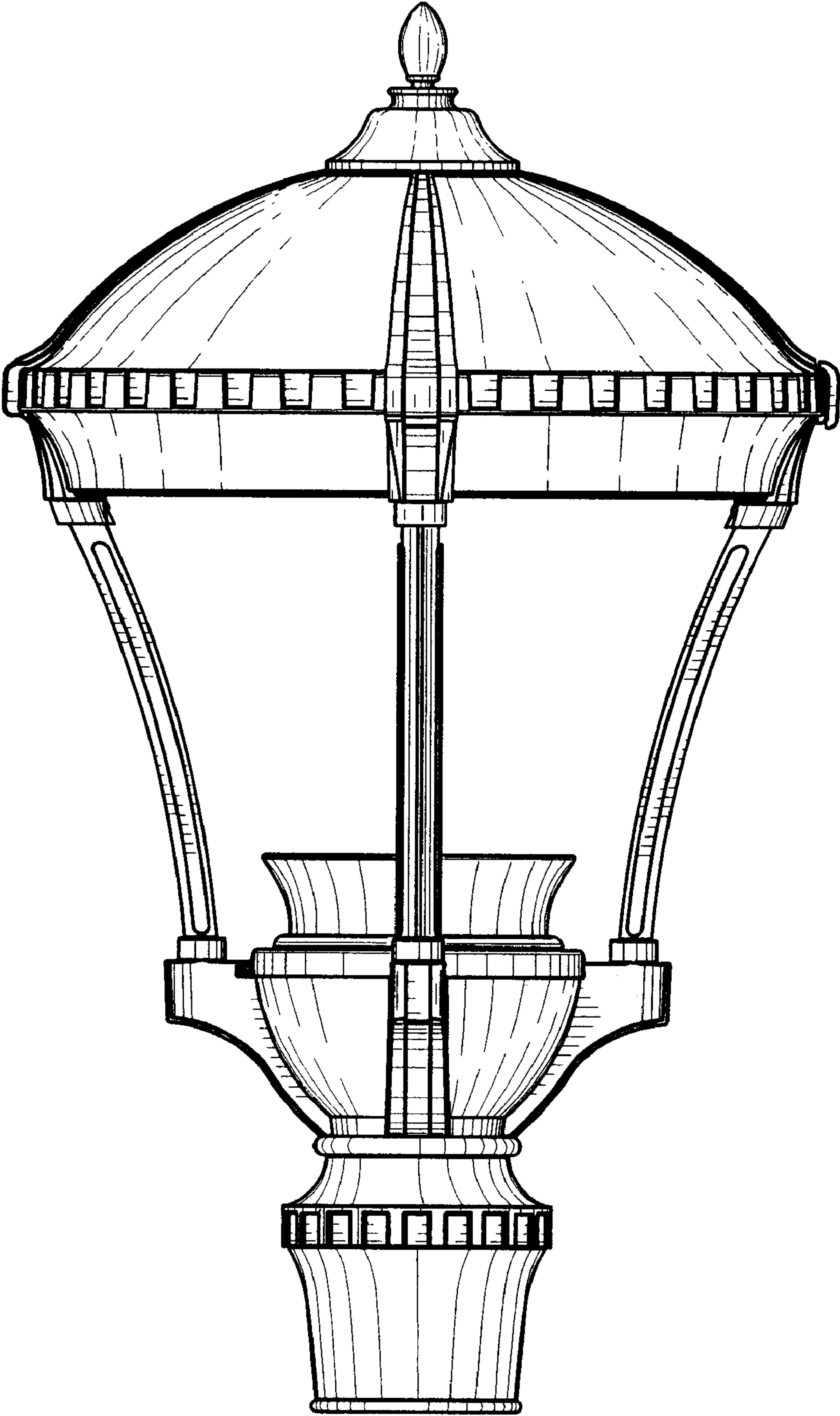


FIG. 2

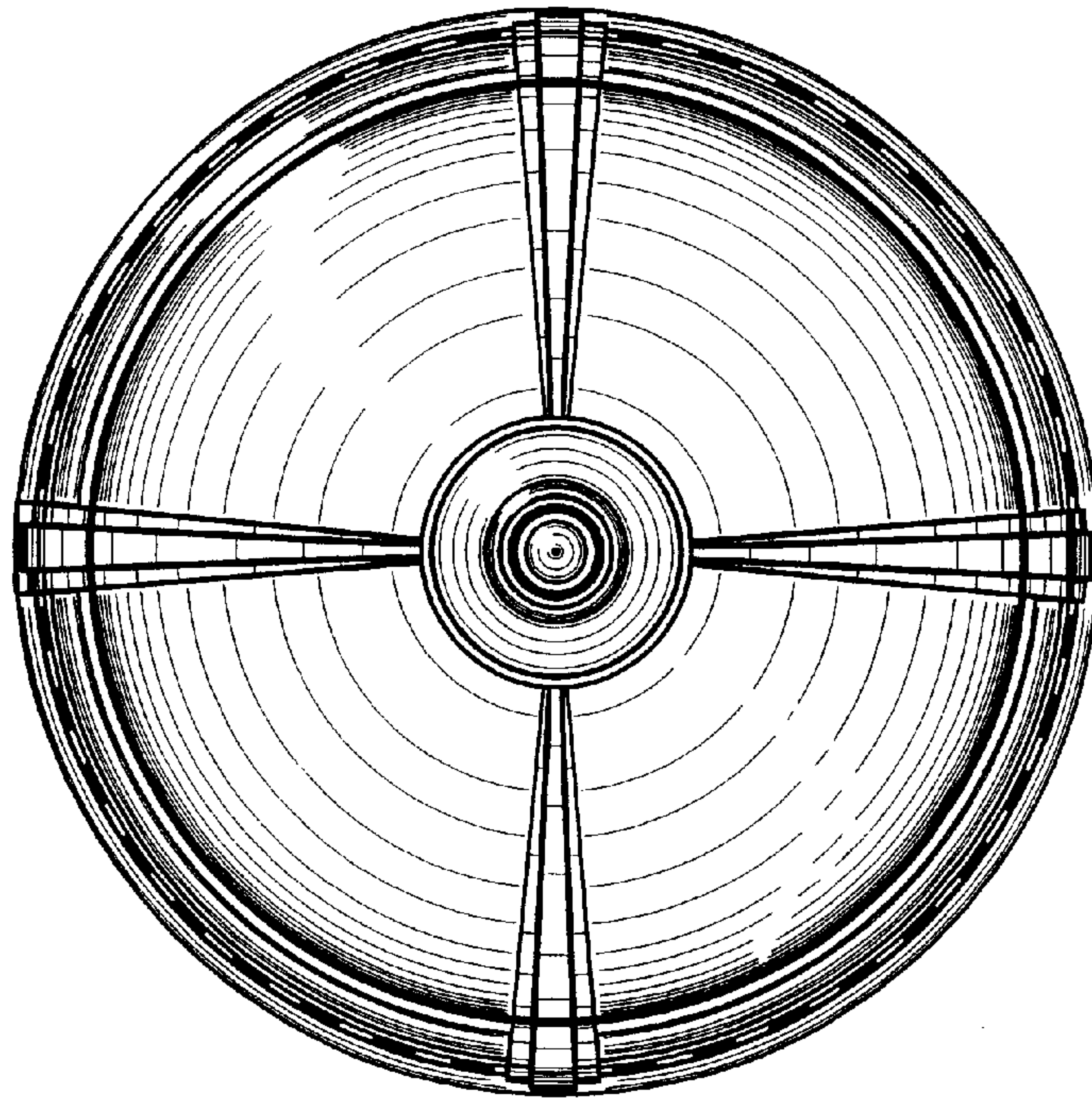


FIG. 3

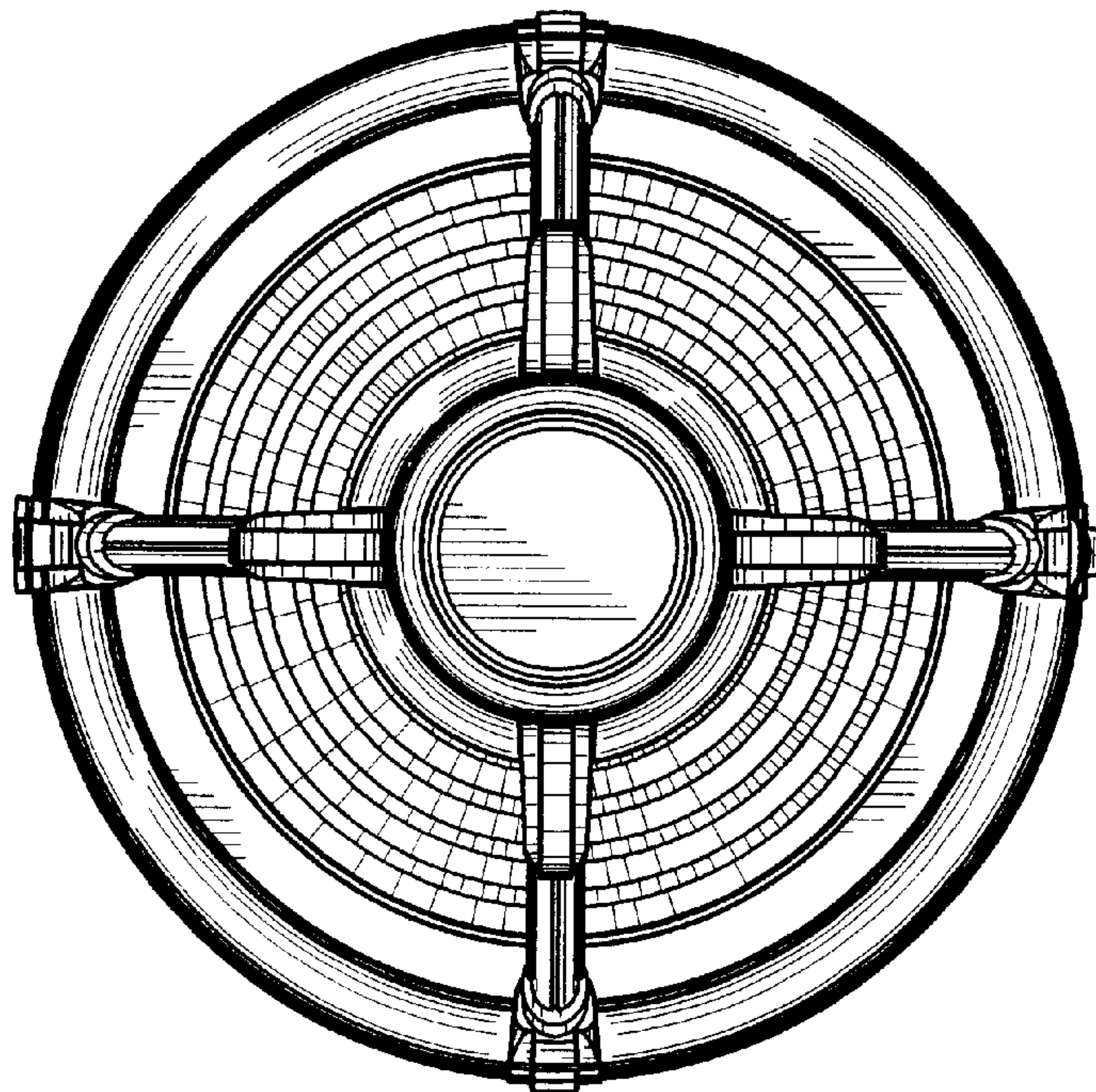


FIG. 4

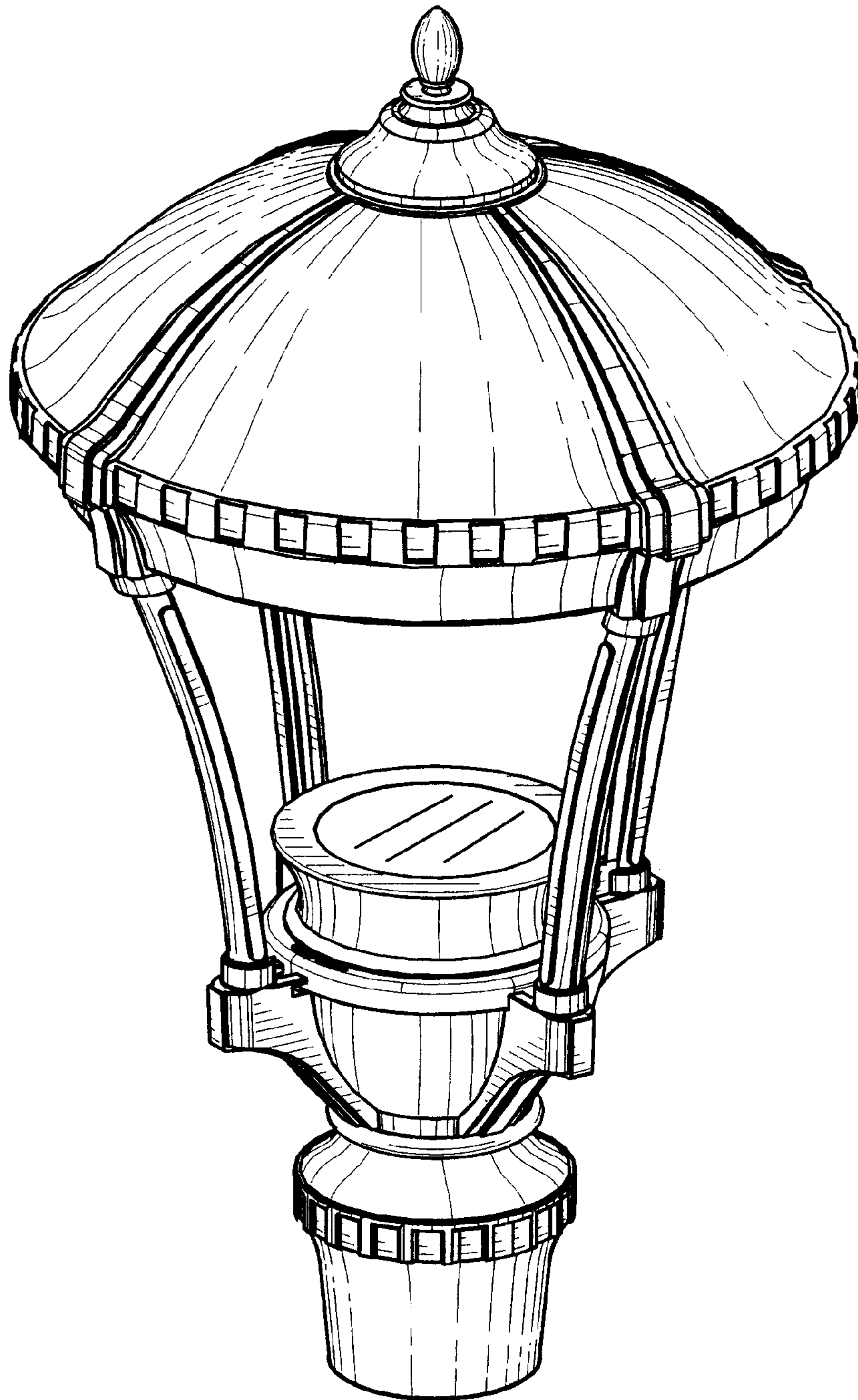


FIG. 5

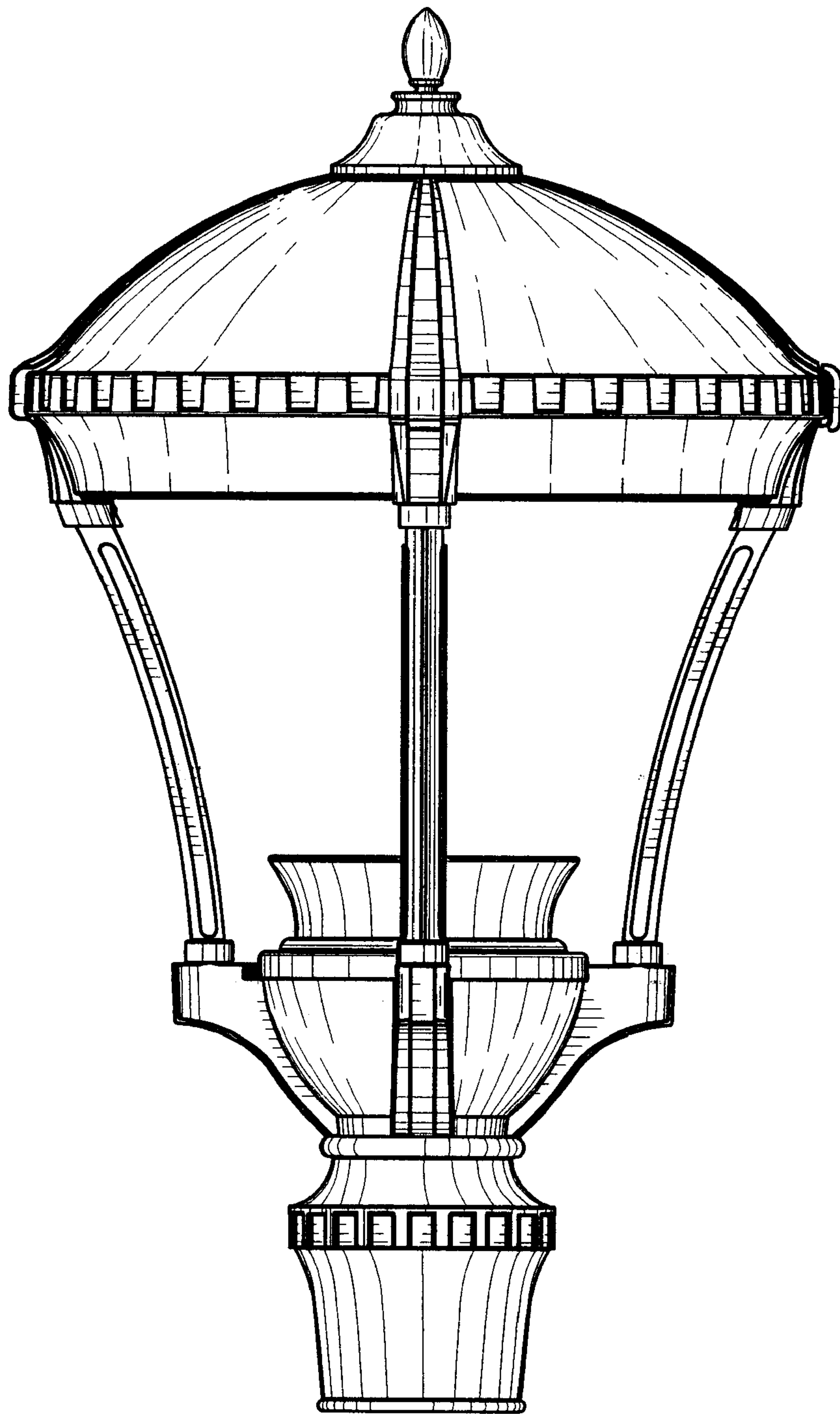


FIG. 6

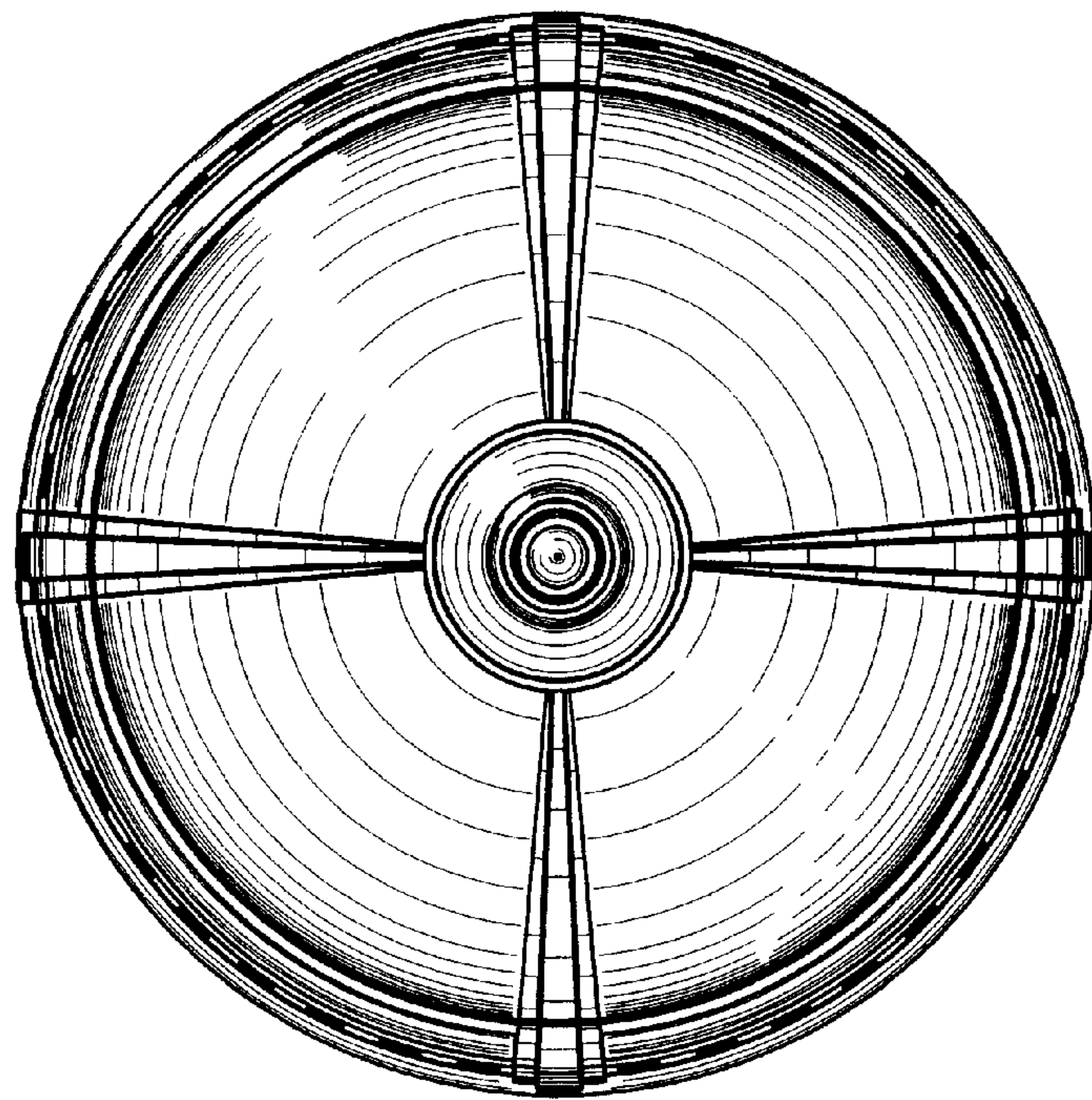


FIG. 7

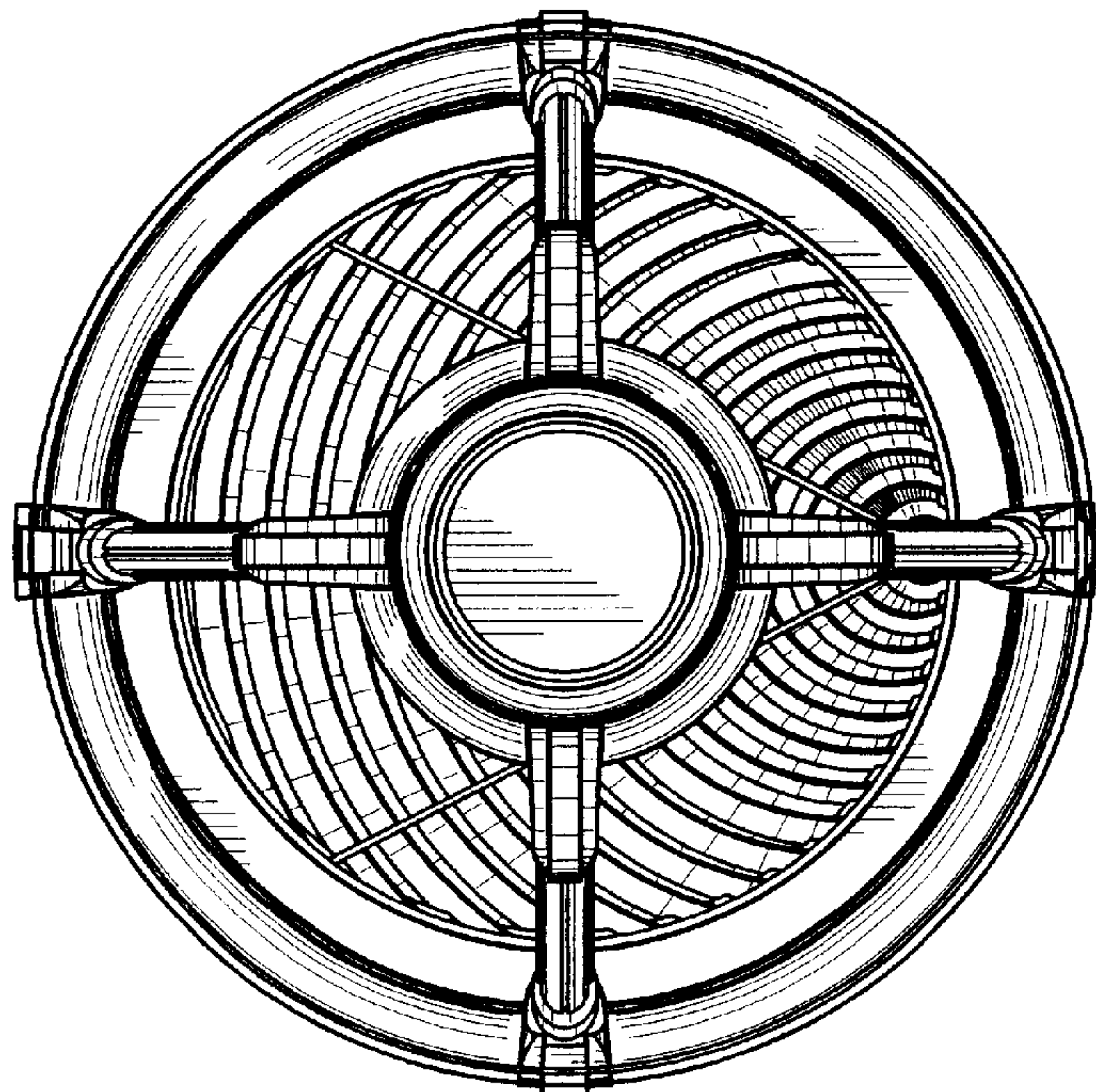


FIG. 8