



US00D515230S

(12) **United States Design Patent**
Galli

(10) **Patent No.:** **US D515,230 S**

(45) **Date of Patent:** **** Feb. 14, 2006**

(54) **FLASHLIGHT WITH A FLARED HEAD**

(76) **Inventor:** **Robert D. Galli**, 126 Circuit Dr., North
Kingstown, RI (US) 02852

(**) **Term:** **14 Years**

(21) **Appl. No.:** **29/219,248**

(22) **Filed:** **Dec. 14, 2004**

(51) **LOC (8) Cl.** **26-02**

(52) **U.S. Cl.** **D26/49**

(58) **Field of Classification Search** D26/37-50;
362/157, 158, 171-174, 183-208
See application file for complete search history.

D468,851 S	1/2003	Galli	D26/37
D476,103 S	6/2003	Galli	D26/37
D480,493 S	* 10/2003	Liou	D26/49
D481,147 S	* 10/2003	Yang	D26/49
D481,818 S	* 11/2003	Mah	D26/49
D488,876 S	* 4/2004	Kotani	D26/49
D501,054 S	1/2005	Galli	D26/37

* cited by examiner

Primary Examiner—Marcus A. Jackson

(74) *Attorney, Agent, or Firm*—Barlow, Josephs & Holmes,
Ltd.

(57) **CLAIM**

The ornamental design for a flashlight with a flared head, as shown and described.

(56) **References Cited**

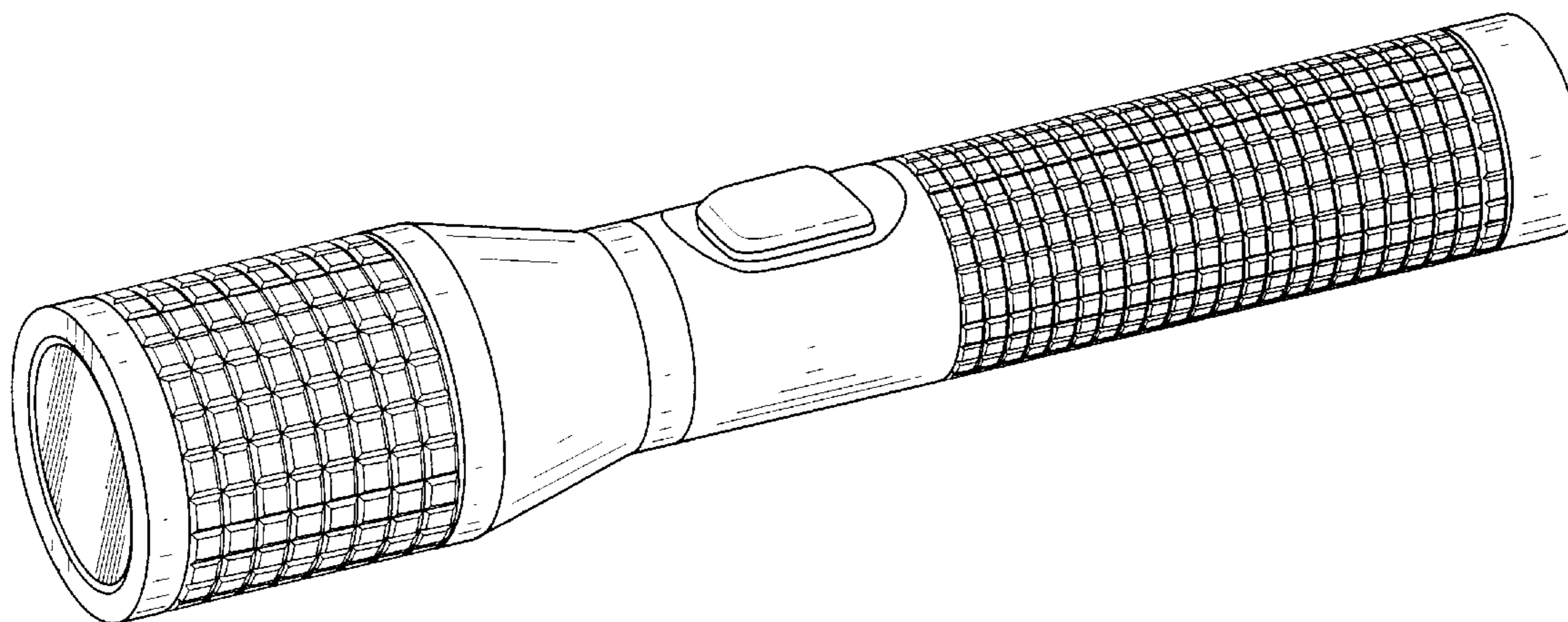
U.S. PATENT DOCUMENTS

D418,933 S	* 1/2000	Yang	D26/49
D434,164 S	11/2000	Galli	D26/49
D443,709 S	* 6/2001	Chiu	D26/49
D445,522 S	* 7/2001	Chiu	D26/49
D450,870 S	* 11/2001	Yang	D26/49
D455,510 S	4/2002	Galli	D26/37
D455,513 S	4/2002	Galli	D26/49
D463,593 S	9/2002	Galli	D26/49
D468,464 S	1/2003	Galli	D26/37

DESCRIPTION

FIG. 1 is a perspective view of a flashlight with a flared head, showing my new design;
FIG. 2 is a top view thereof;
FIG. 3 is a bottom view thereof;
FIG. 4 is a right side view thereof;
FIG. 5 is left side view thereof;
FIG. 6 is front end view thereof; and,
FIG. 7 is rear end view thereof.

1 Claim, 7 Drawing Sheets



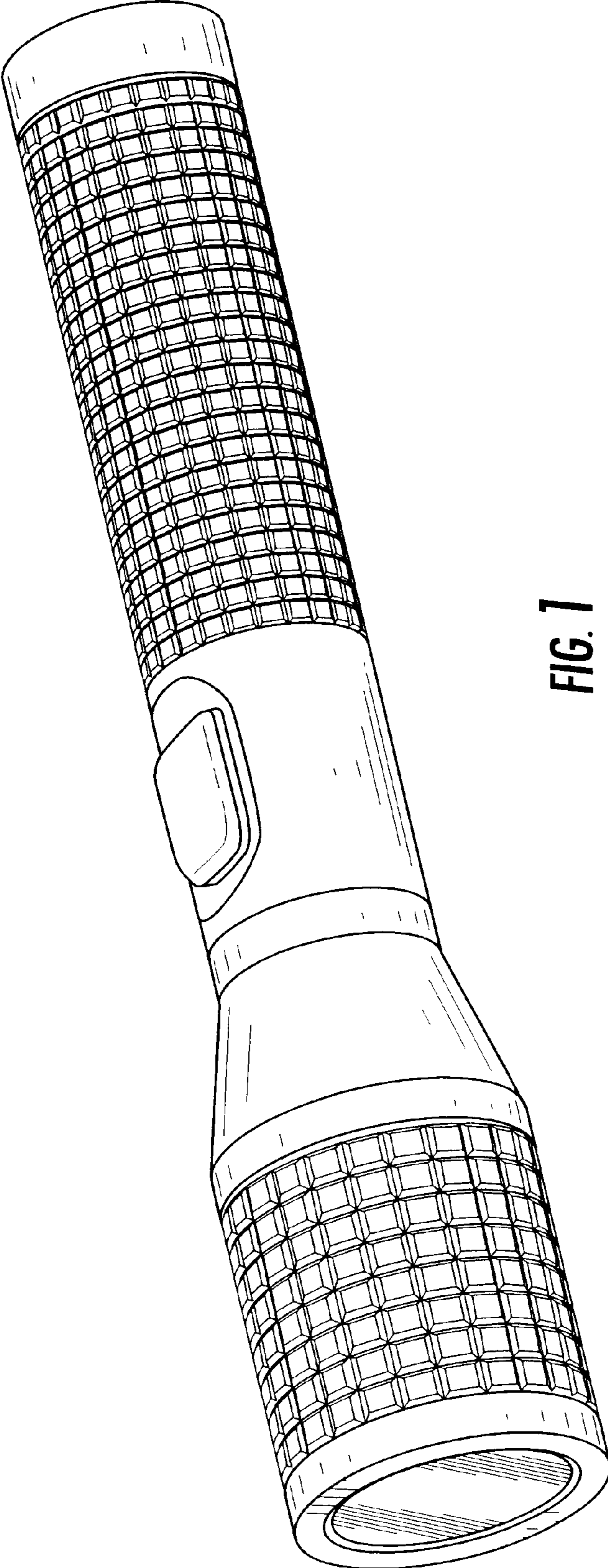


FIG. 1

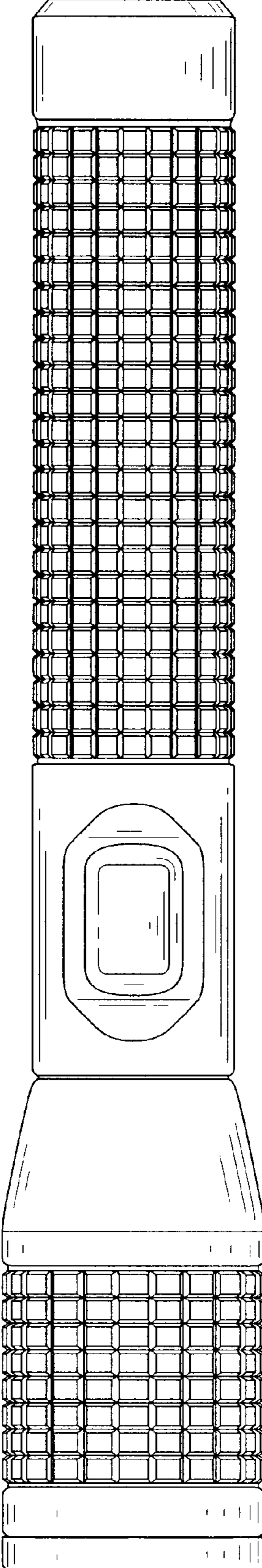


FIG. 2

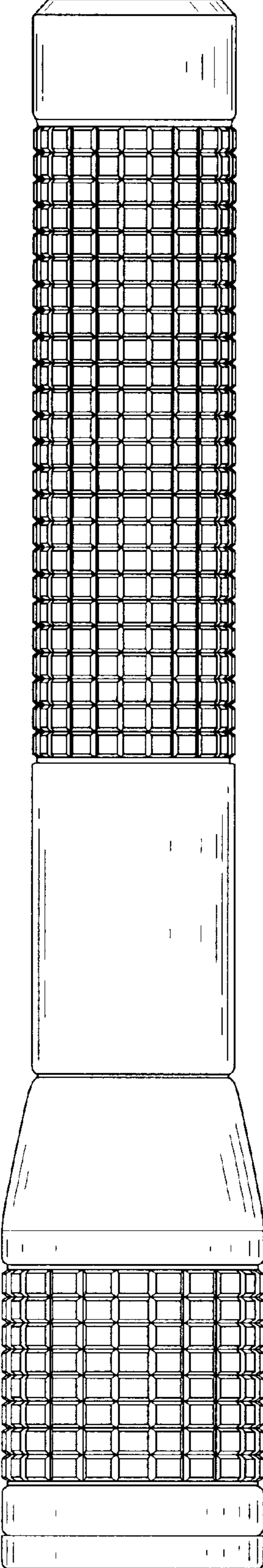


FIG. 3

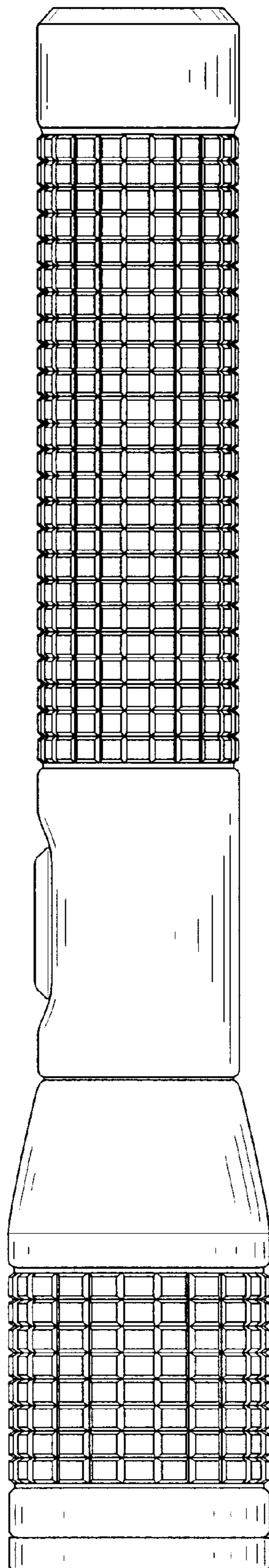


FIG. 4

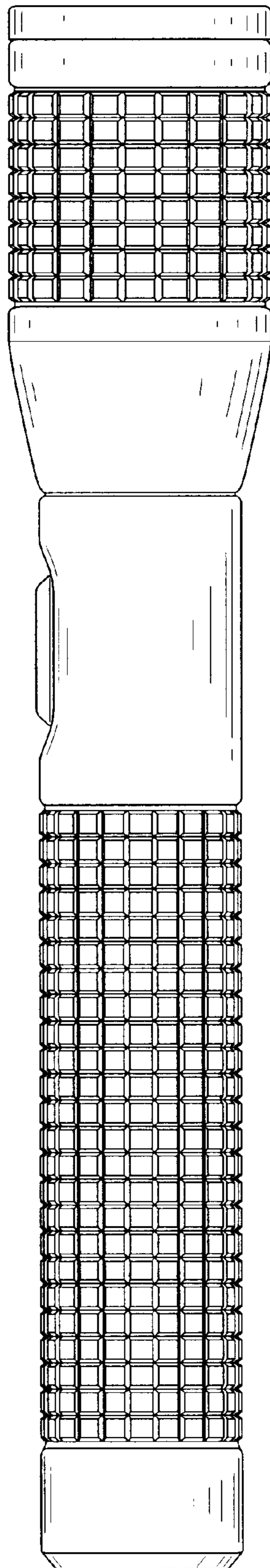


FIG. 5

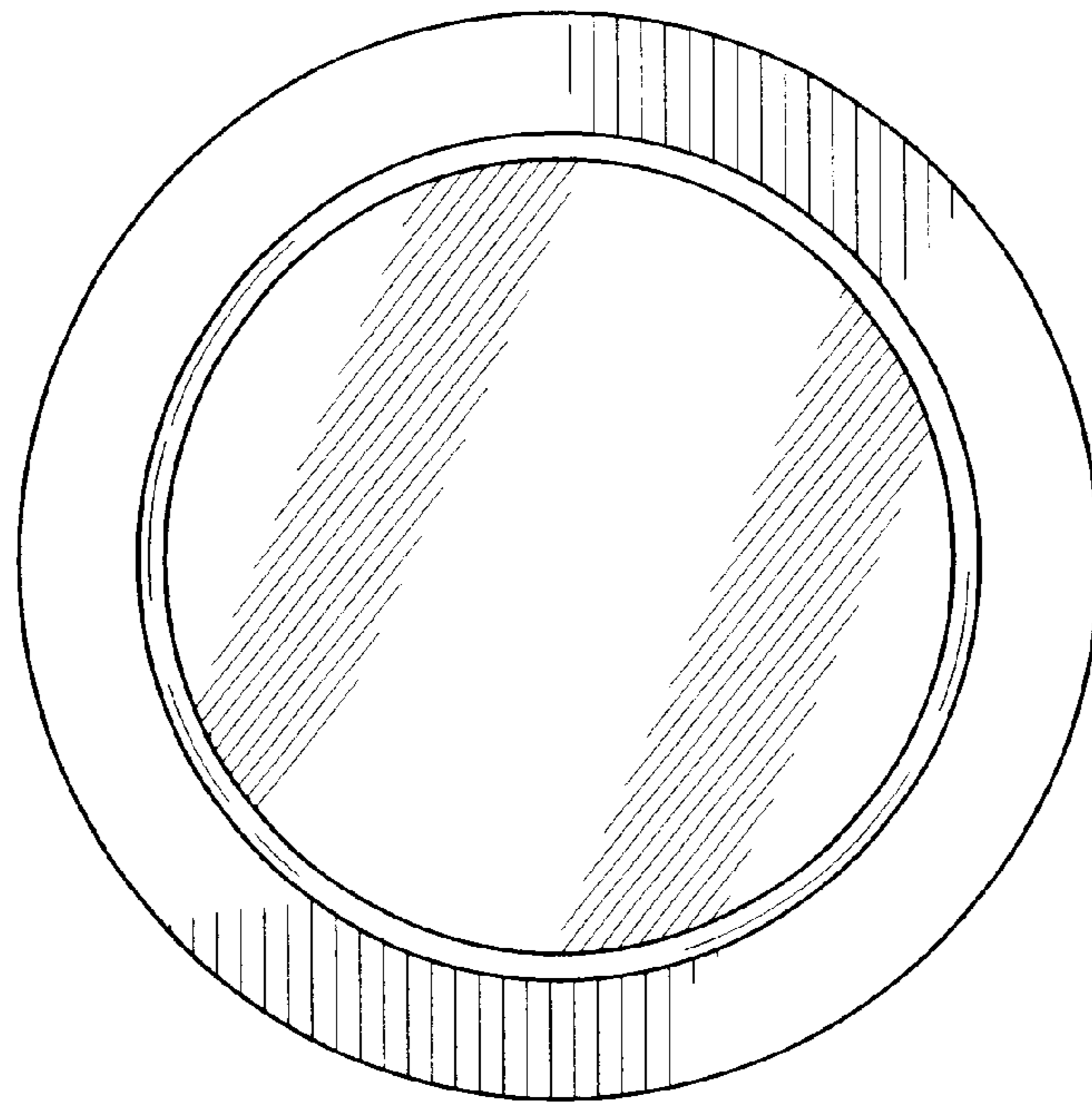


FIG. 6

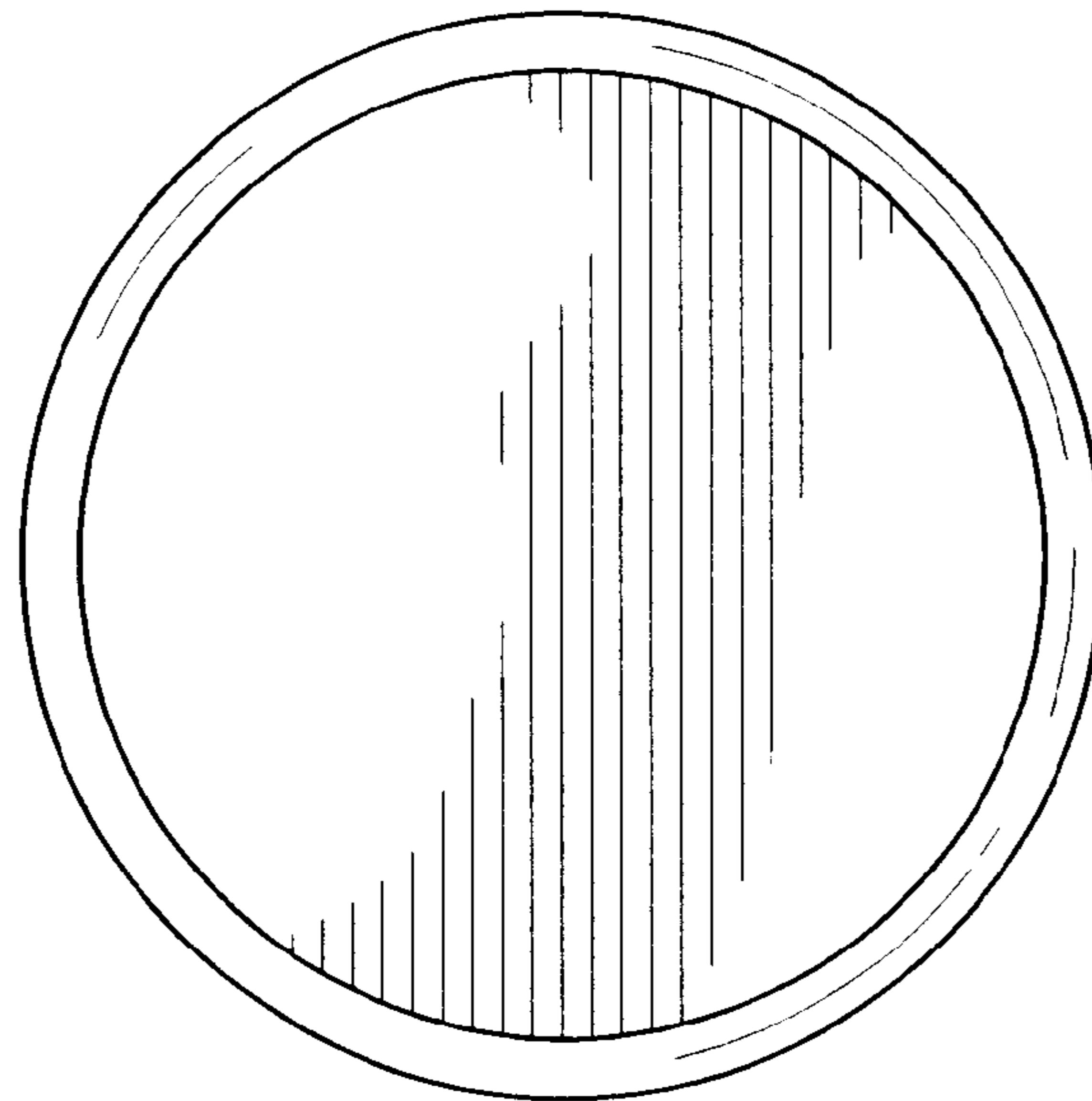


FIG. 7