

US00D515229S

(12) **United States Design Patent**  
**Minami**

(10) **Patent No.:** **US D515,229 S**  
(45) **Date of Patent:** **\*\* Feb. 14, 2006**

(54) **REAR COMBINATION LAMP FOR AN  
AUTOMOBILE**

JP 1085349 9/2000  
JP 1144890 4/2002

(75) Inventor: **Toshinobu Minami**, Saitama (JP)

**OTHER PUBLICATIONS**

(73) Assignee: **Honda Motor Co., Ltd.**, Tokyo (JP)

Notification of Refusal Reasons dated Dec. 10, 2004.

(\*\*) Term: **14 Years**

\* cited by examiner

(21) Appl. No.: **29/213,747**

*Primary Examiner*—Marcus A. Jackson

(22) Filed: **Sep. 23, 2004**

(74) *Attorney, Agent, or Firm*—Westerman, Hattori,  
Daniels & Adrian LLP

(30) **Foreign Application Priority Data**

(57) **CLAIM**

Mar. 29, 2004 (JP) ..... 2004-009447

The ornamental design for a rear combination lamp for an automobile, as shown and described.

(51) **LOC (8) Cl.** ..... **26-06**

(52) **U.S. Cl.** ..... **D26/28**

(58) **Field of Classification Search** ..... D26/28-36;  
362/457-468, 475-478, 485-487

See application file for complete search history.

**DESCRIPTION**

(56) **References Cited**

**U.S. PATENT DOCUMENTS**

D483,890 S \* 12/2003 Lin ..... D26/28

D489,835 S \* 5/2004 Lin ..... D26/28

D490,175 S \* 5/2004 Hung ..... D26/28

D498,860 S \* 11/2004 Kawashima et al. .... D26/28

FIG. 1 is a front elevation view of a rear combination lamp for an automobile, showing our new design;  
FIG. 2 is a rear elevation view thereof;  
FIG. 3 is a top plan view thereof;  
FIG. 4 is a bottom plan view thereof;  
FIG. 5 is a right side elevation view thereof;  
FIG. 6 is a left side elevation view thereof;  
FIG. 7 is a perspective view thereof; and,  
FIG. 8 is another perspective view thereof.

**FOREIGN PATENT DOCUMENTS**

JP 1018771 7/1999

**1 Claim, 5 Drawing Sheets**

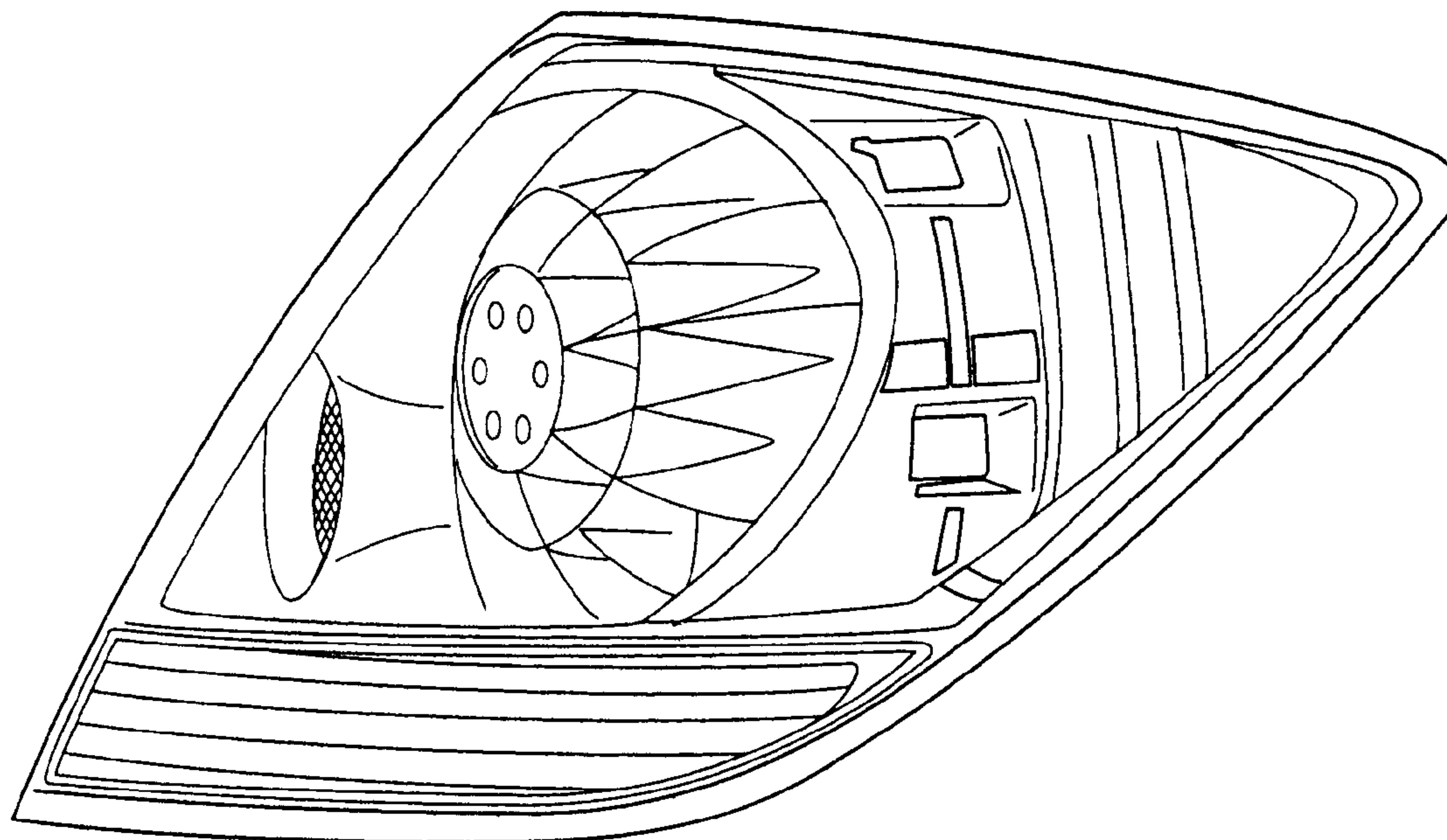


Fig. 1

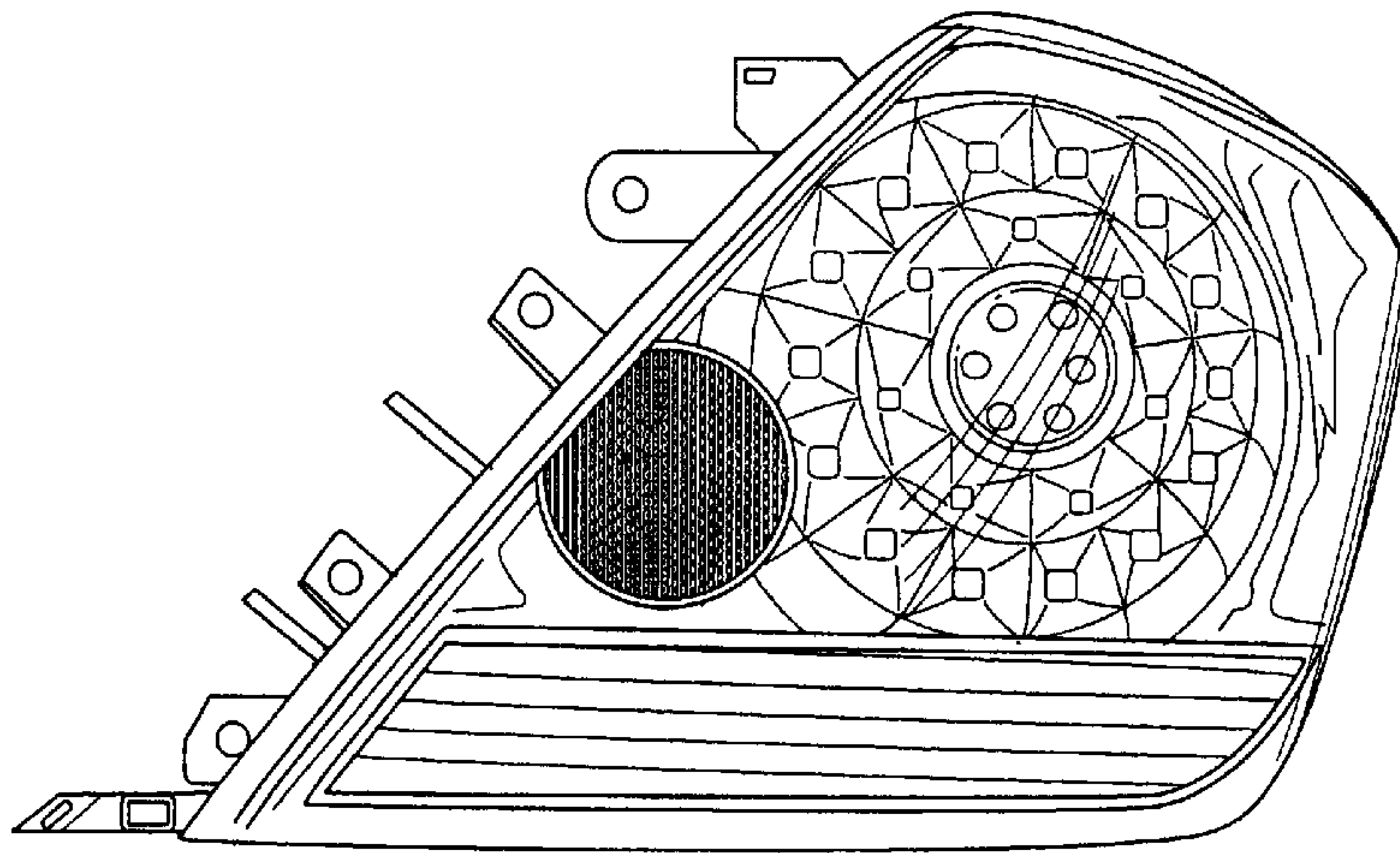


Fig. 2

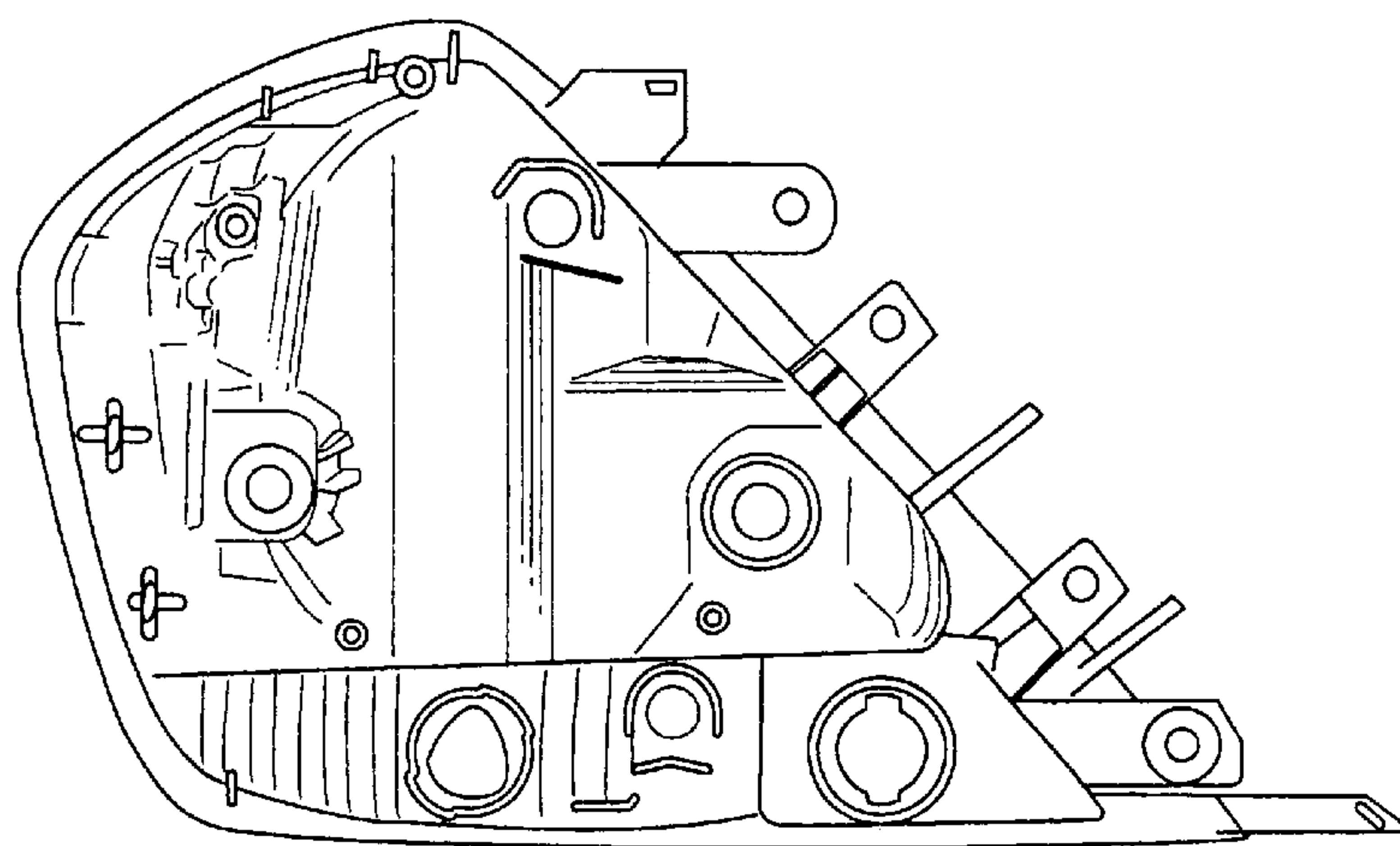


Fig.3

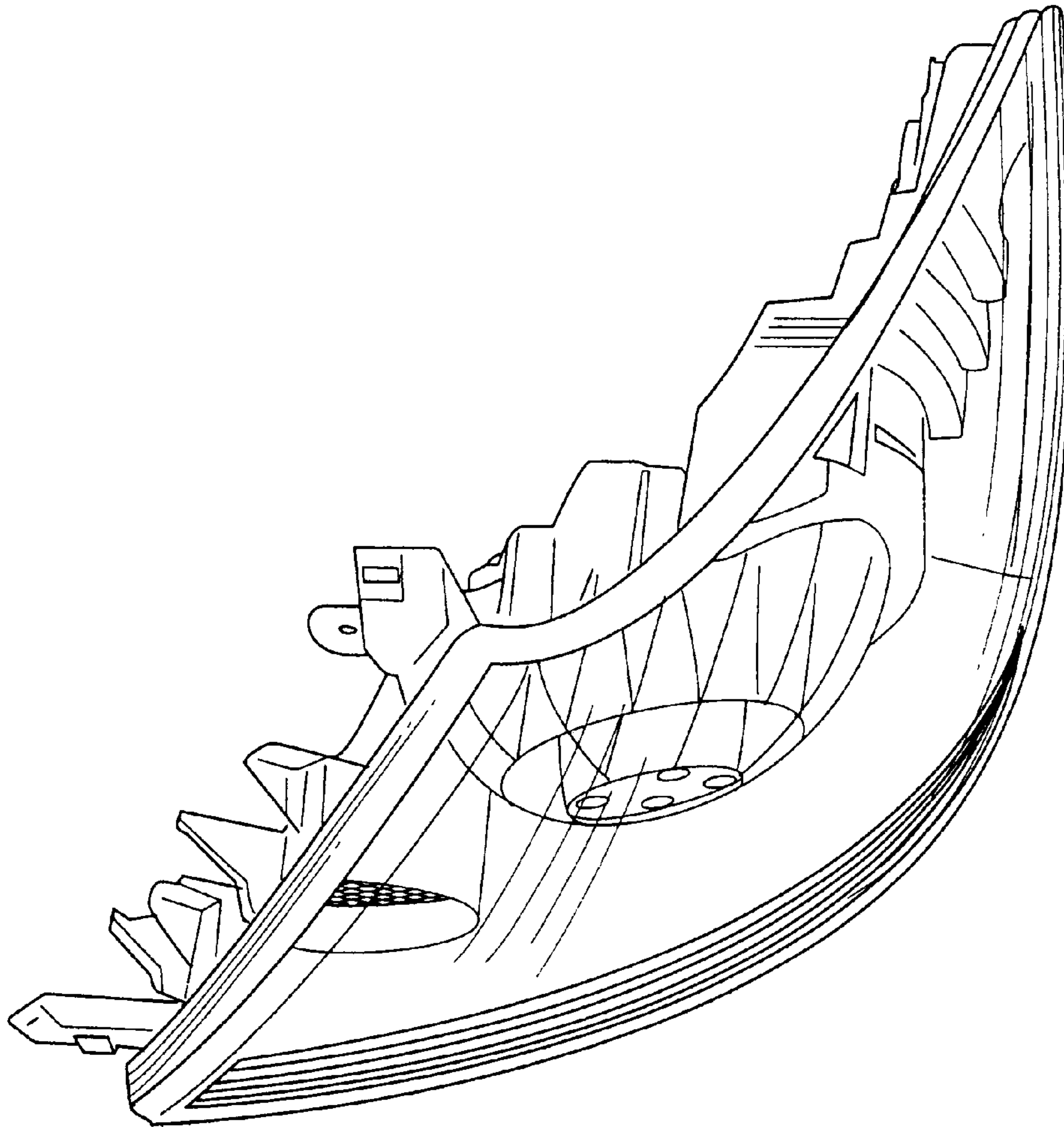


Fig.4

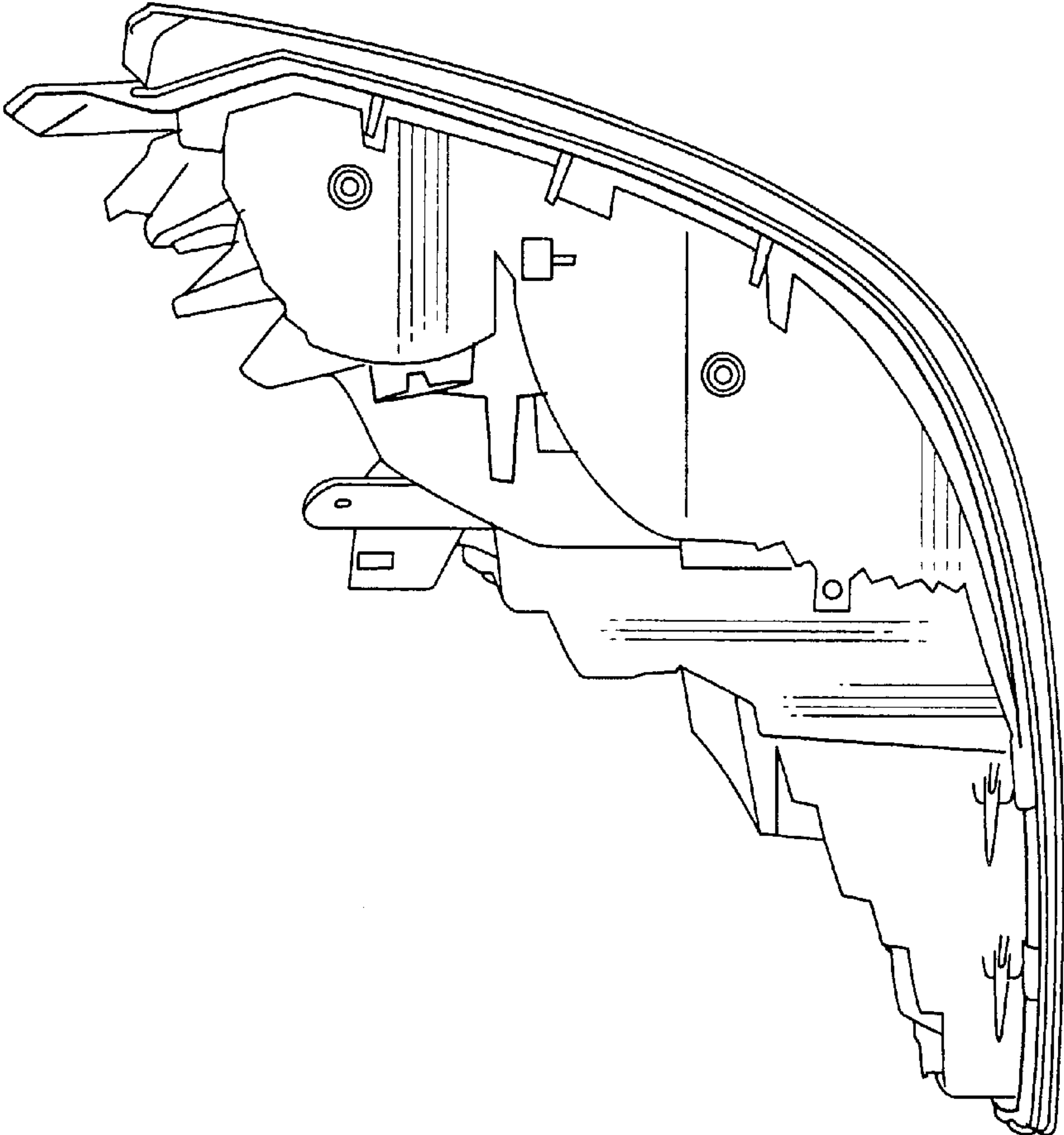




Fig.5

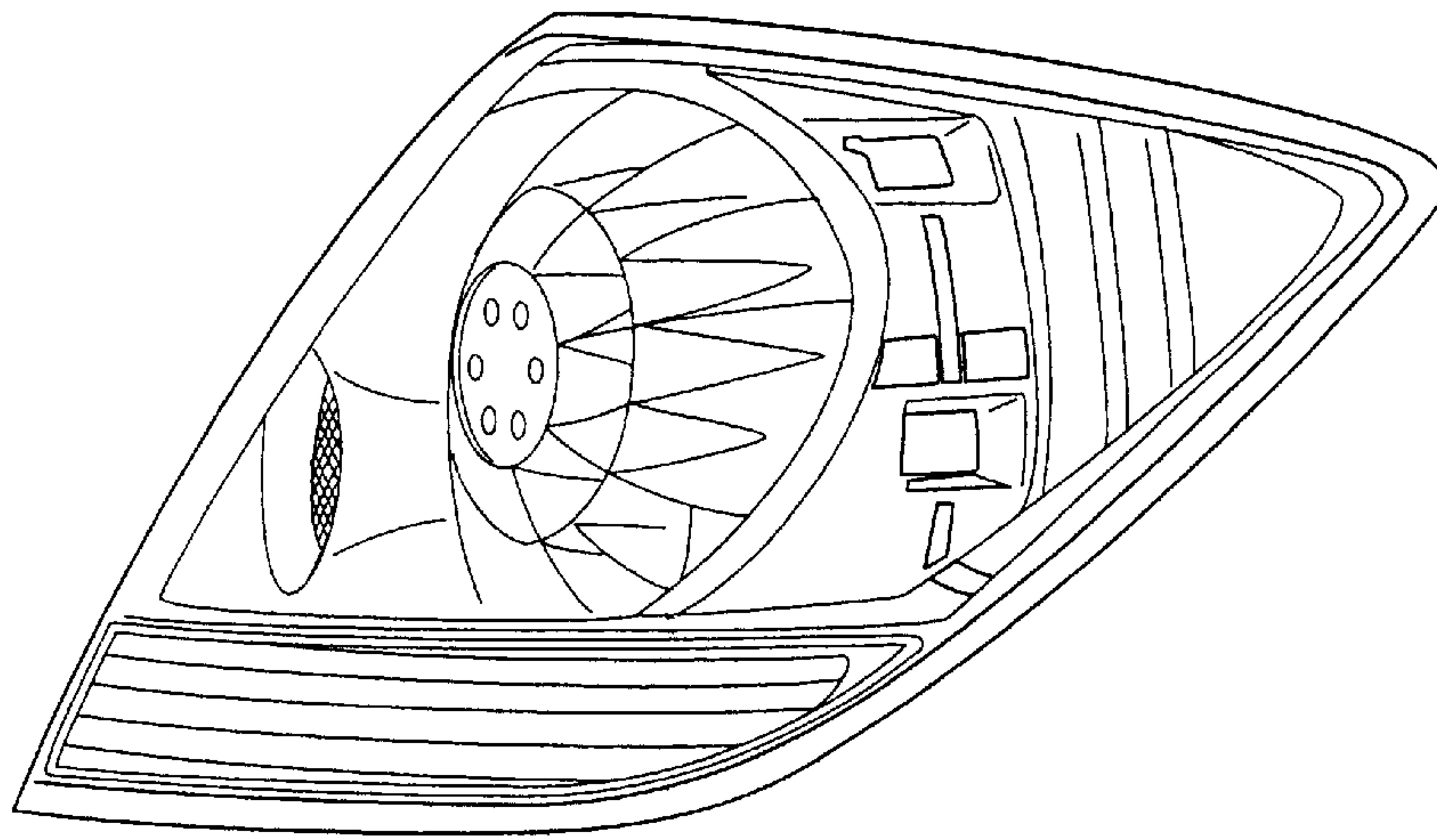


Fig.6

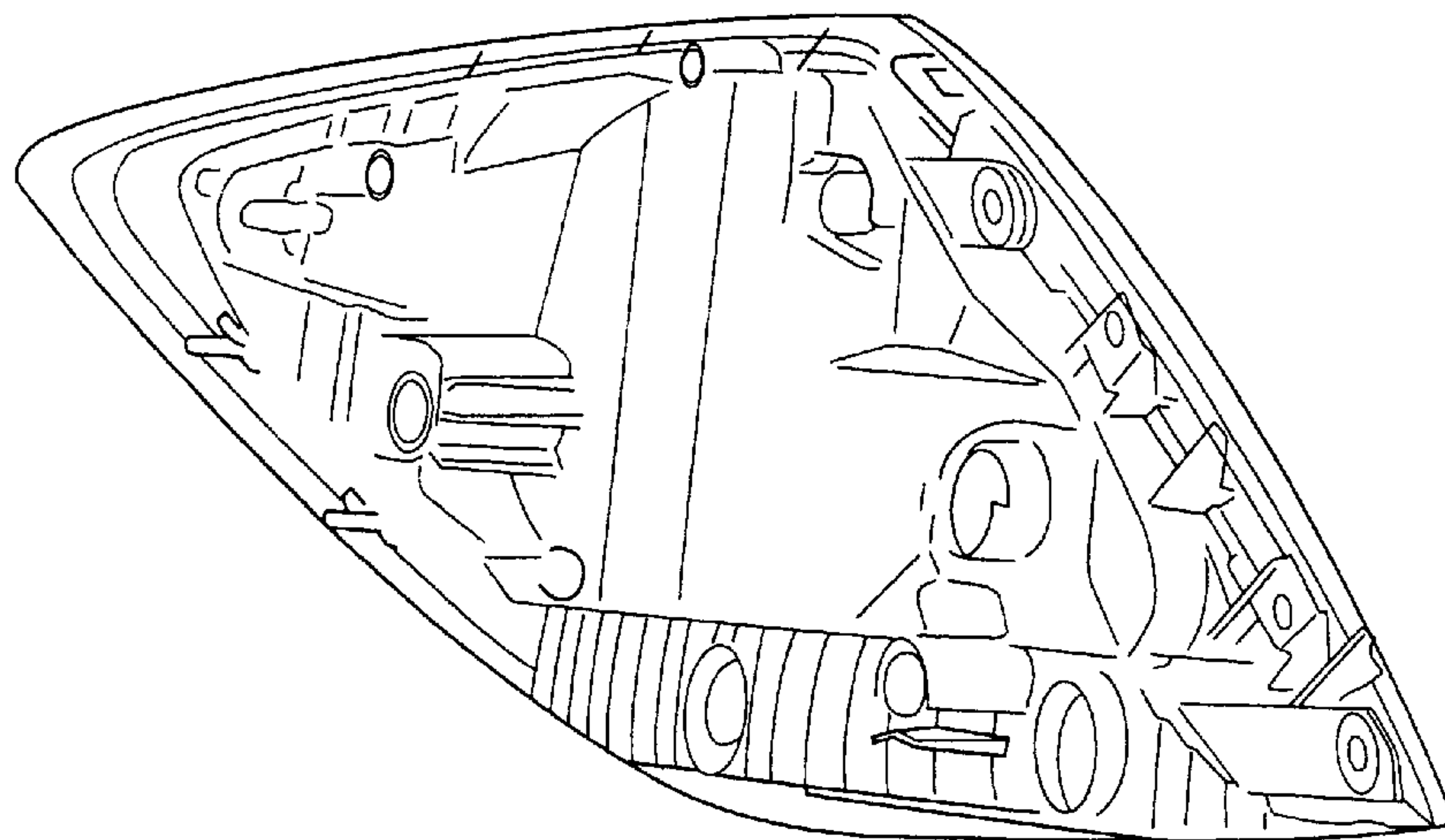


Fig.7

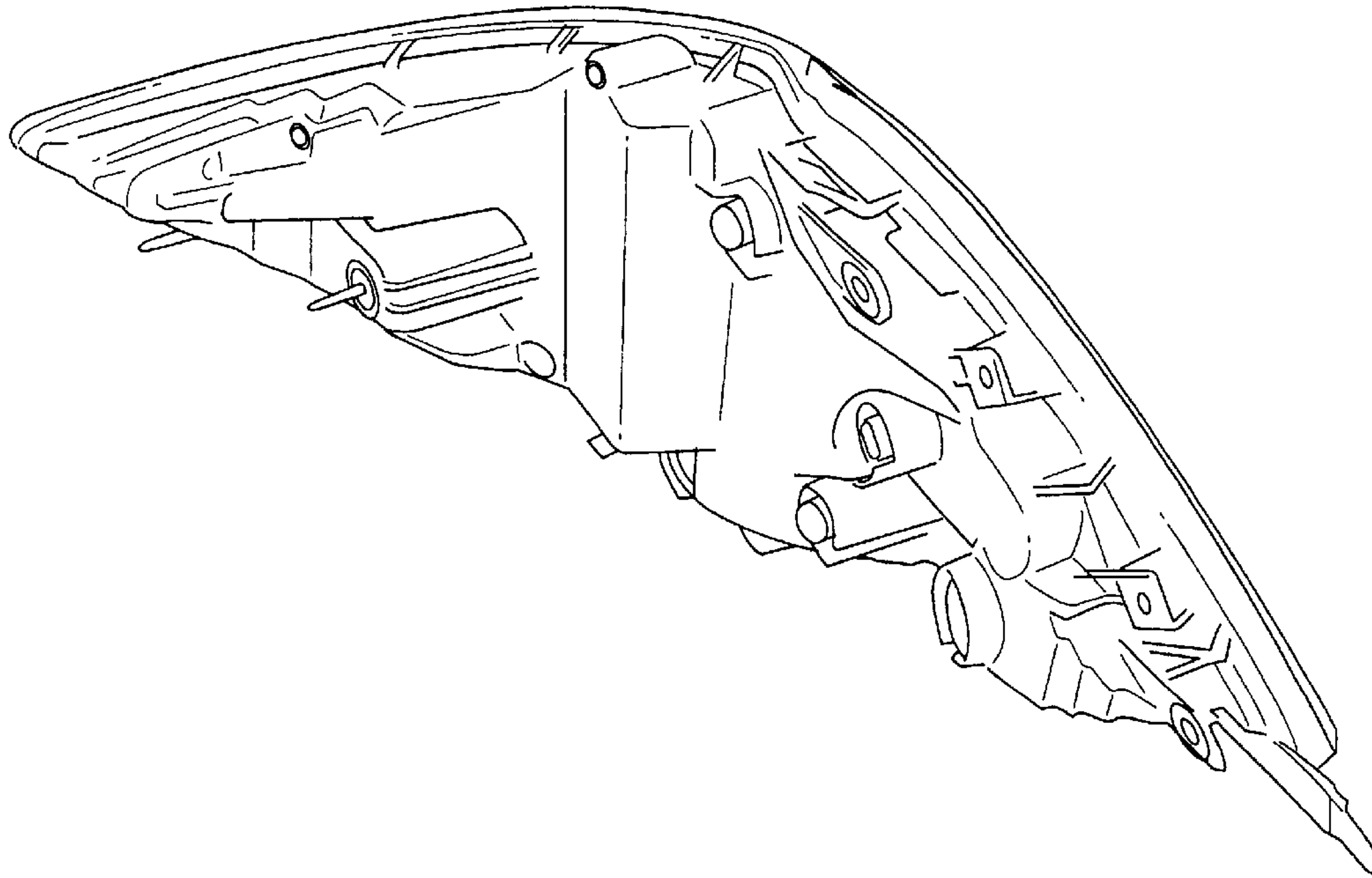


Fig.8

