



US00D515226S

(12) **United States Design Patent**
Beasley

(10) **Patent No.:** **US D515,226 S**

(45) **Date of Patent:** **** Feb. 14, 2006**

(54) **LAMP HOUSING**

(76) **Inventor:** **Daniel J. Beasley**, 300 N. Michigan St.,
Suite 409, South Bend, IN (US) 46601

(**) **Term:** **14 Years**

(21) **Appl. No.:** **29/190,563**

(22) **Filed:** **Sep. 23, 2003**

(51) **LOC (8) Cl.** **26-06**

(52) **U.S. Cl.** **D26/28**

(58) **Field of Classification Search** D26/26-36;
362/61, 80, 81, 82, 83, 83.4, 267, 269, 275,
362/330-340

See application file for complete search history.

(56) **References Cited**

U.S. PATENT DOCUMENTS

D463,048 S	*	9/2002	Scott et al.	D26/28
D477,427 S	*	7/2003	Mazziotti	D26/28
D490,172 S	*	5/2004	Yamamoto	D26/28
D493,900 S	*	8/2004	Jacobs	D26/28

* cited by examiner

Primary Examiner—Marcus A. Jackson

(57) **CLAIM**

The ornamental design for a lamp housing, as shown and described.

DESCRIPTION

FIG. 1 is a perspective view of a lamp housing as seen from the front and right side showing my new design;

FIG. 2 is a front view thereof;

FIG. 3 is a top plan view thereof;

FIG. 4 is a right side view thereof, the left side view being a mirror image;

FIG. 5 is a rear end view thereof; and

FIG. 6 is a bottom plan view thereof.

FIG. 7 is a perspective view of another embodiment of a lamp housing as seen from the front and right side showing my new design;

FIG. 8 is a front view thereof;

FIG. 9 is a top plan view thereof;

FIG. 10 is a right side view thereof, the left side being a mirror image thereof;

FIG. 11; is a rear end view thereof; and,

FIG. 12 is a bottom view thereof.

1 Claim, 2 Drawing Sheets

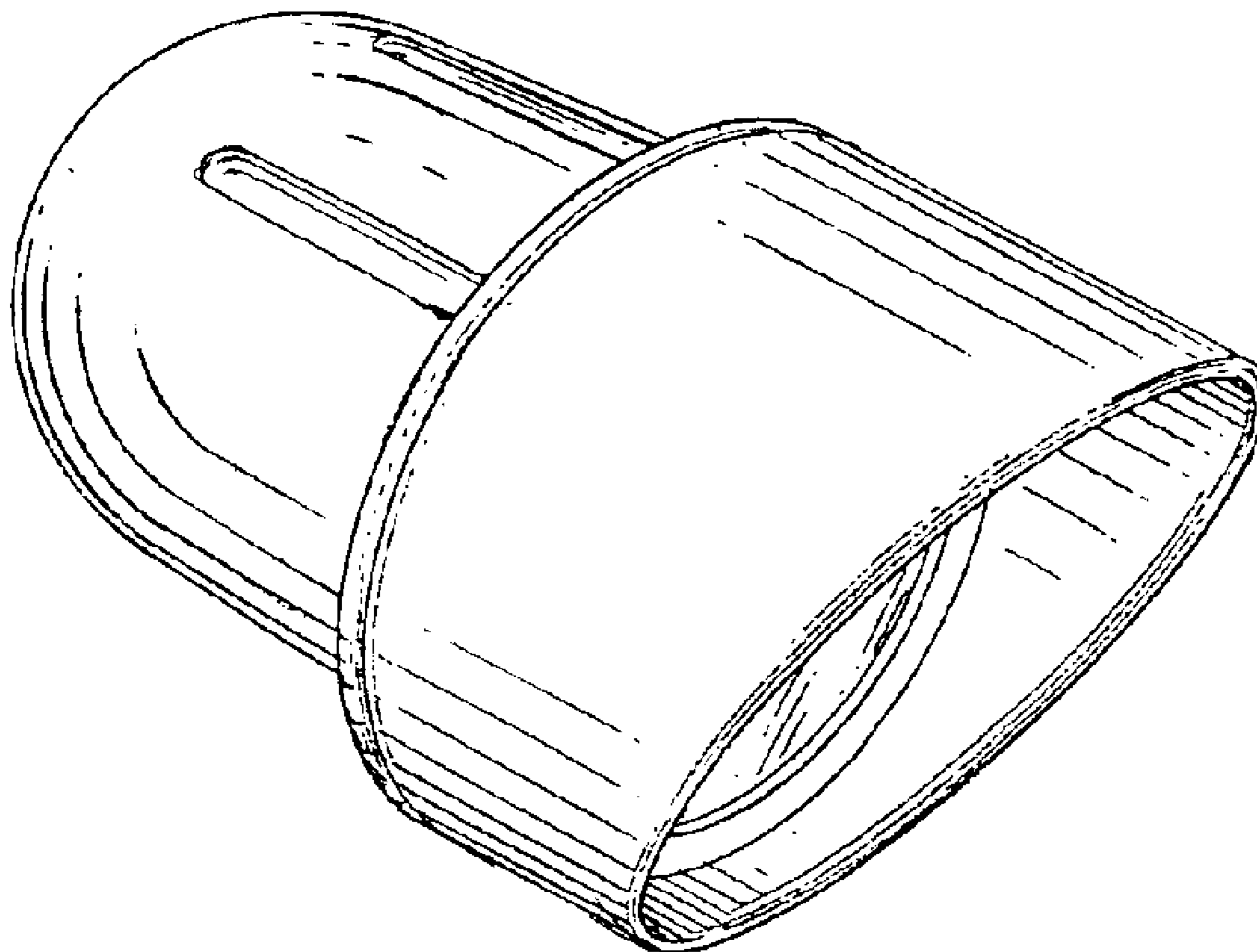


FIG. 1

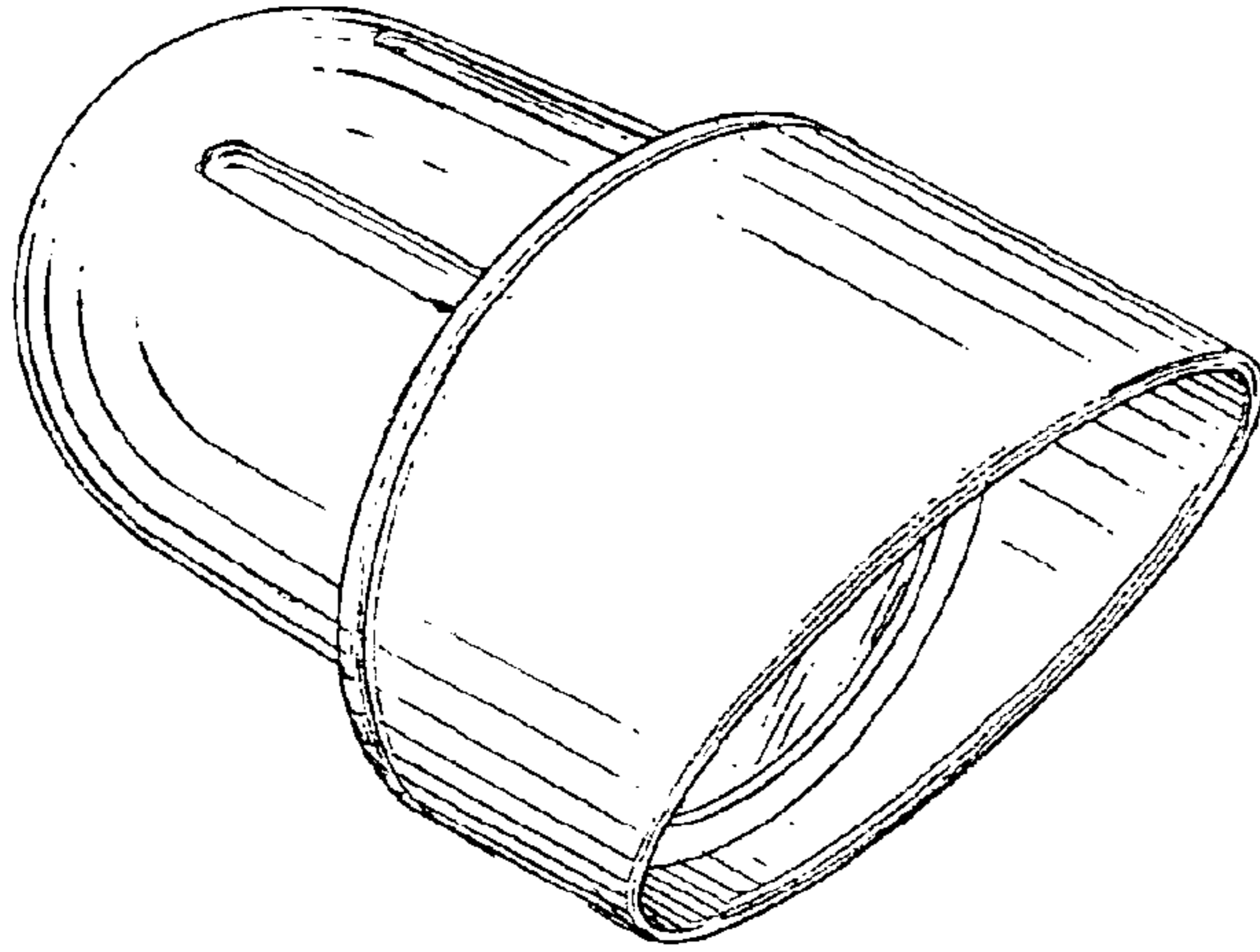


FIG. 2

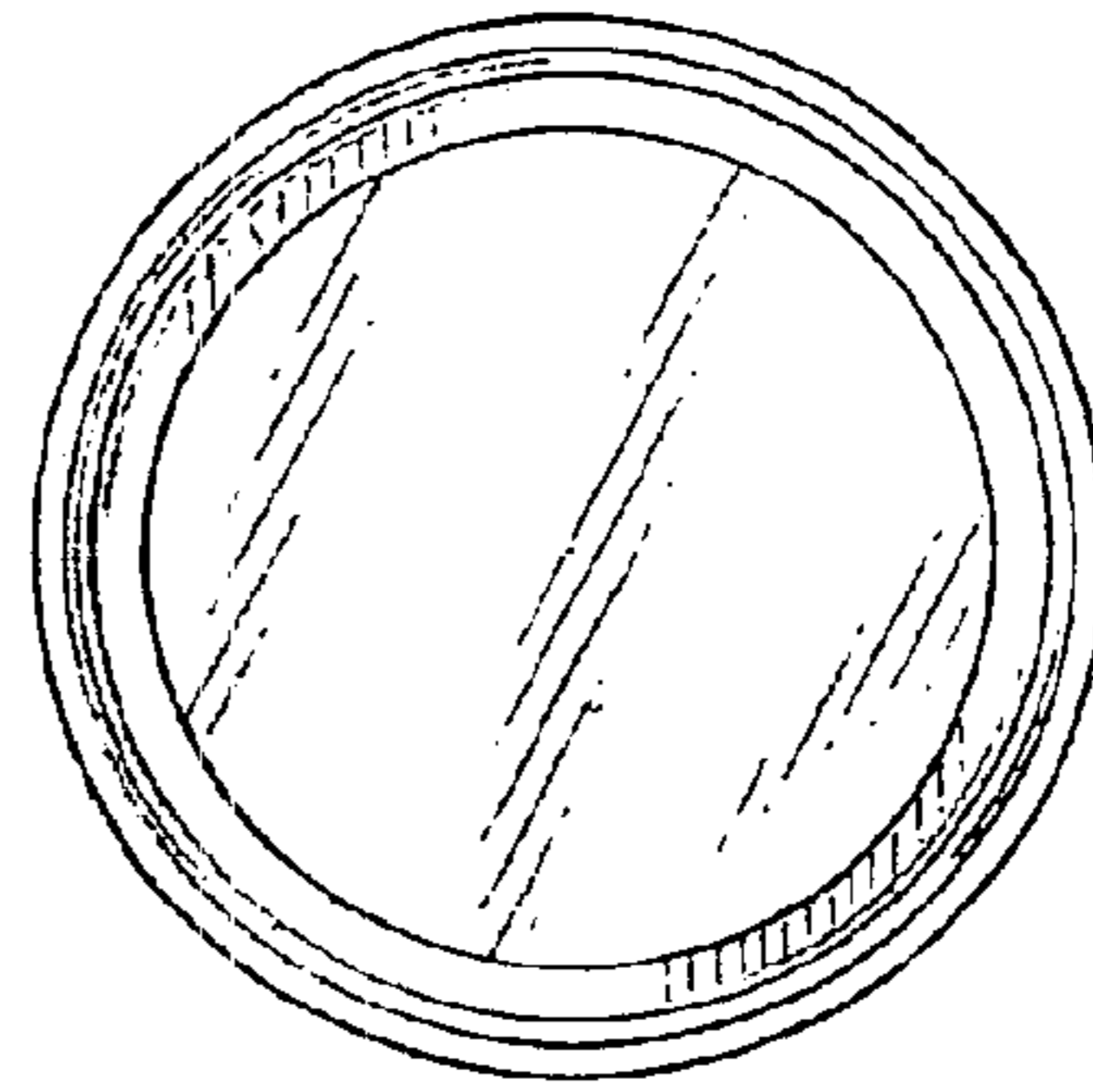


FIG. 3

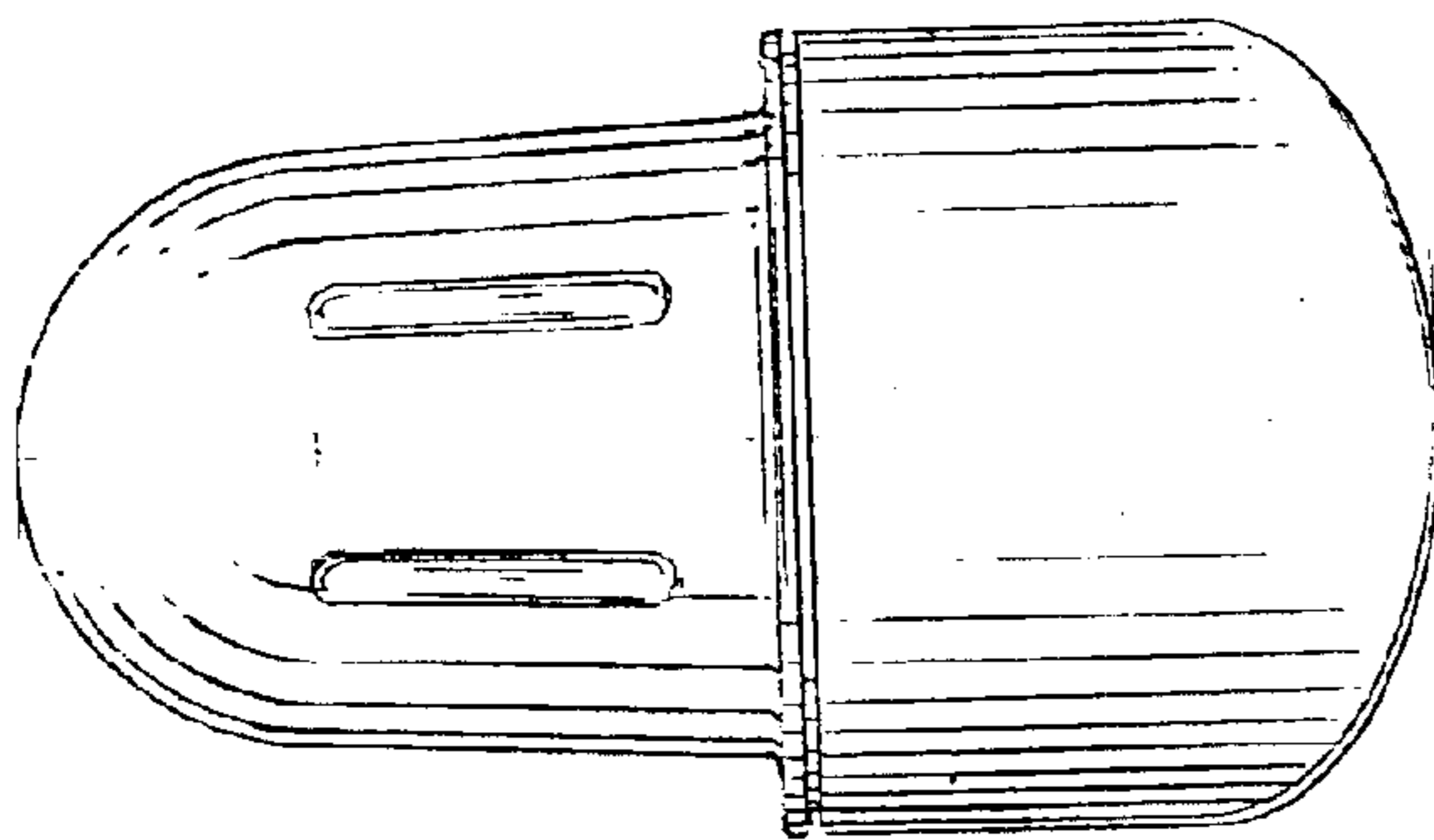


FIG. 5

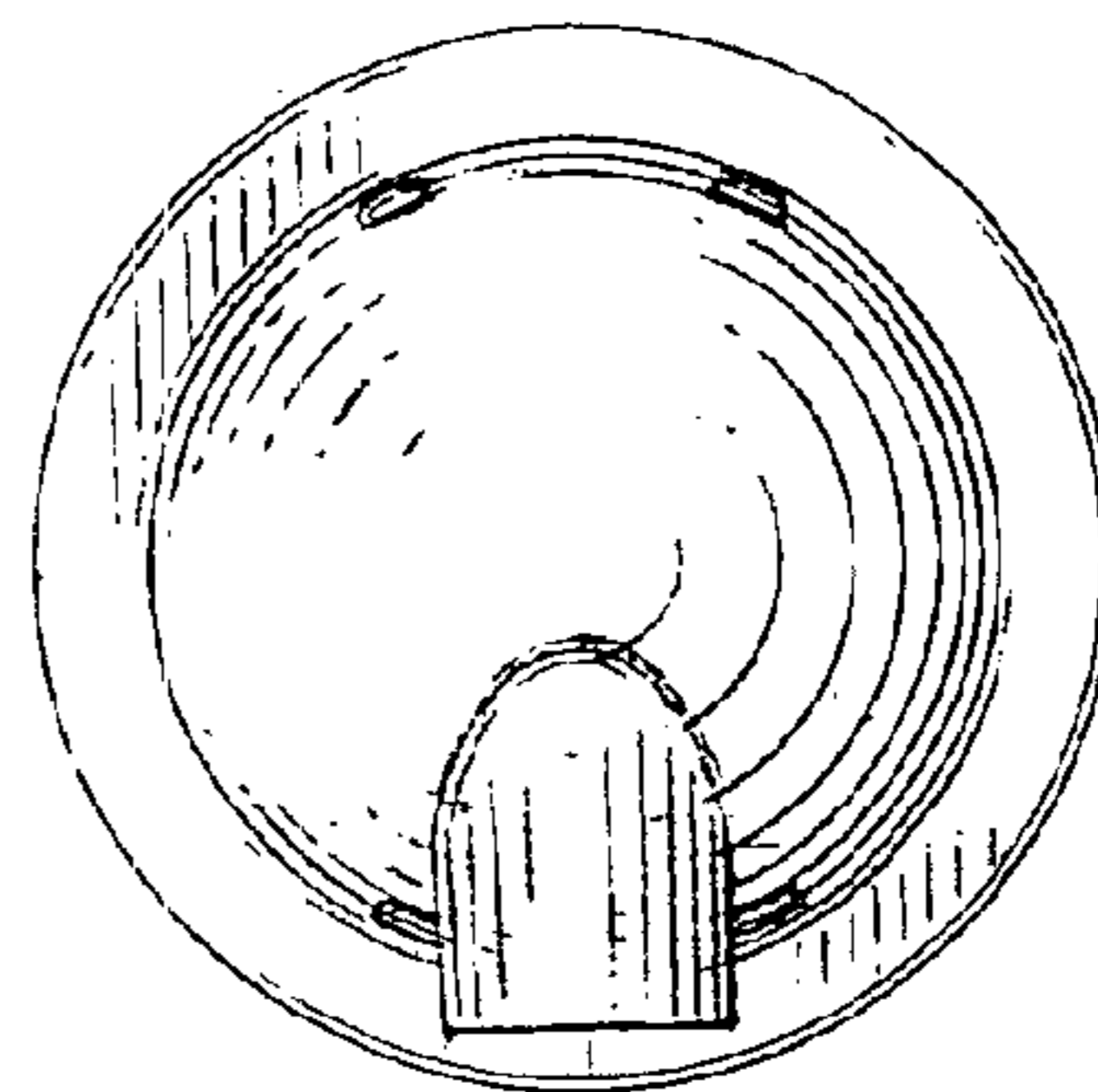


FIG. 4

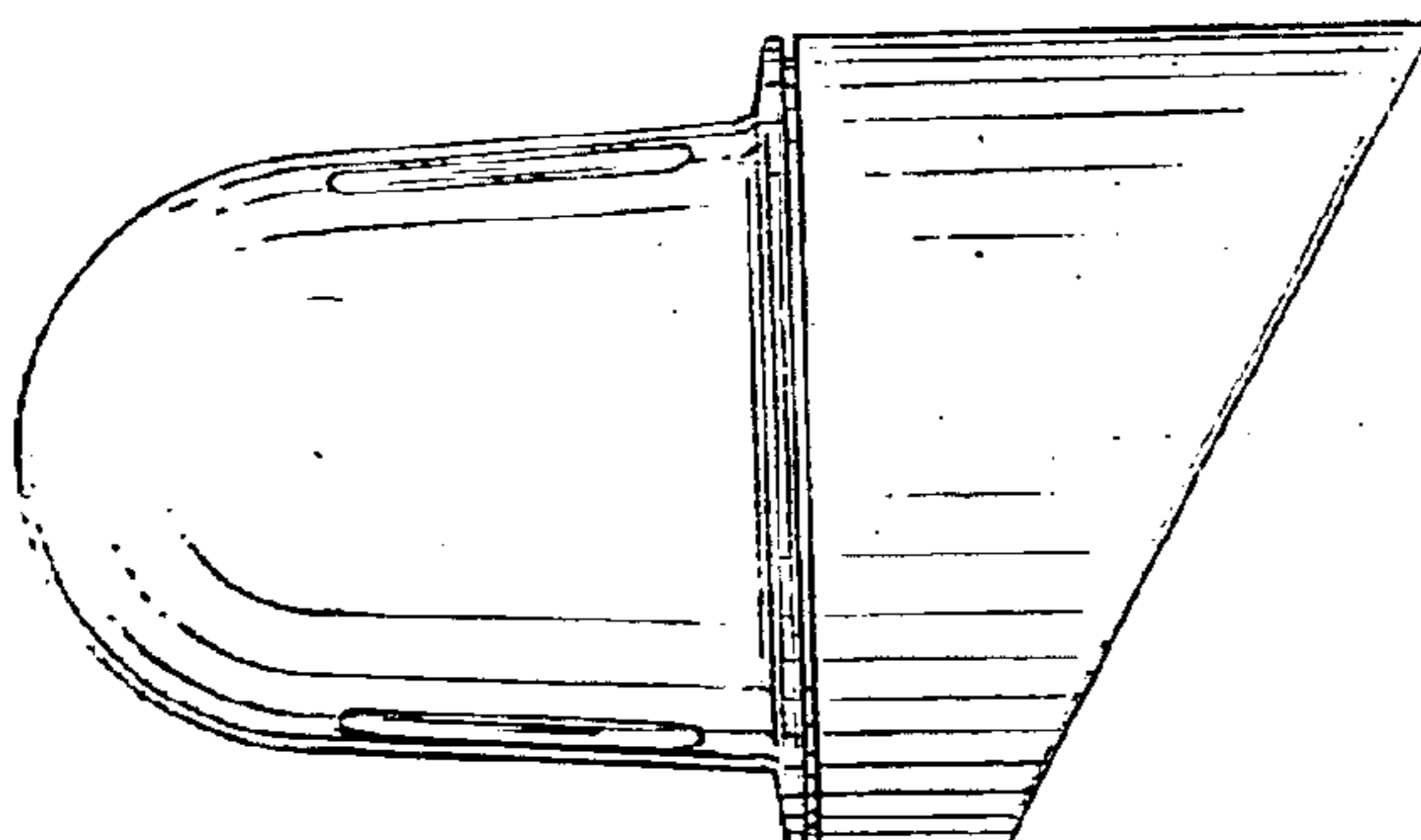


FIG. 6

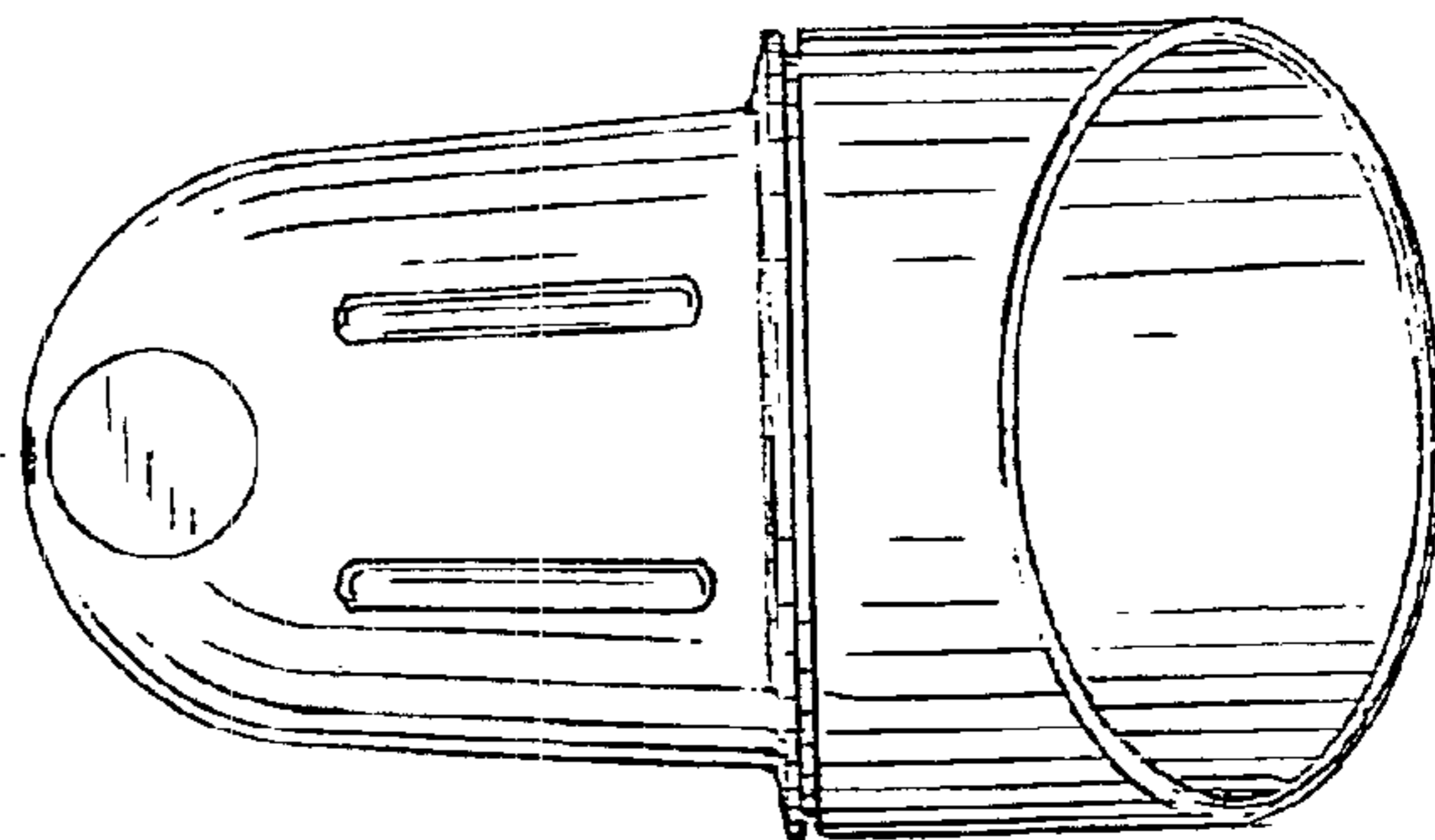


FIG. 7

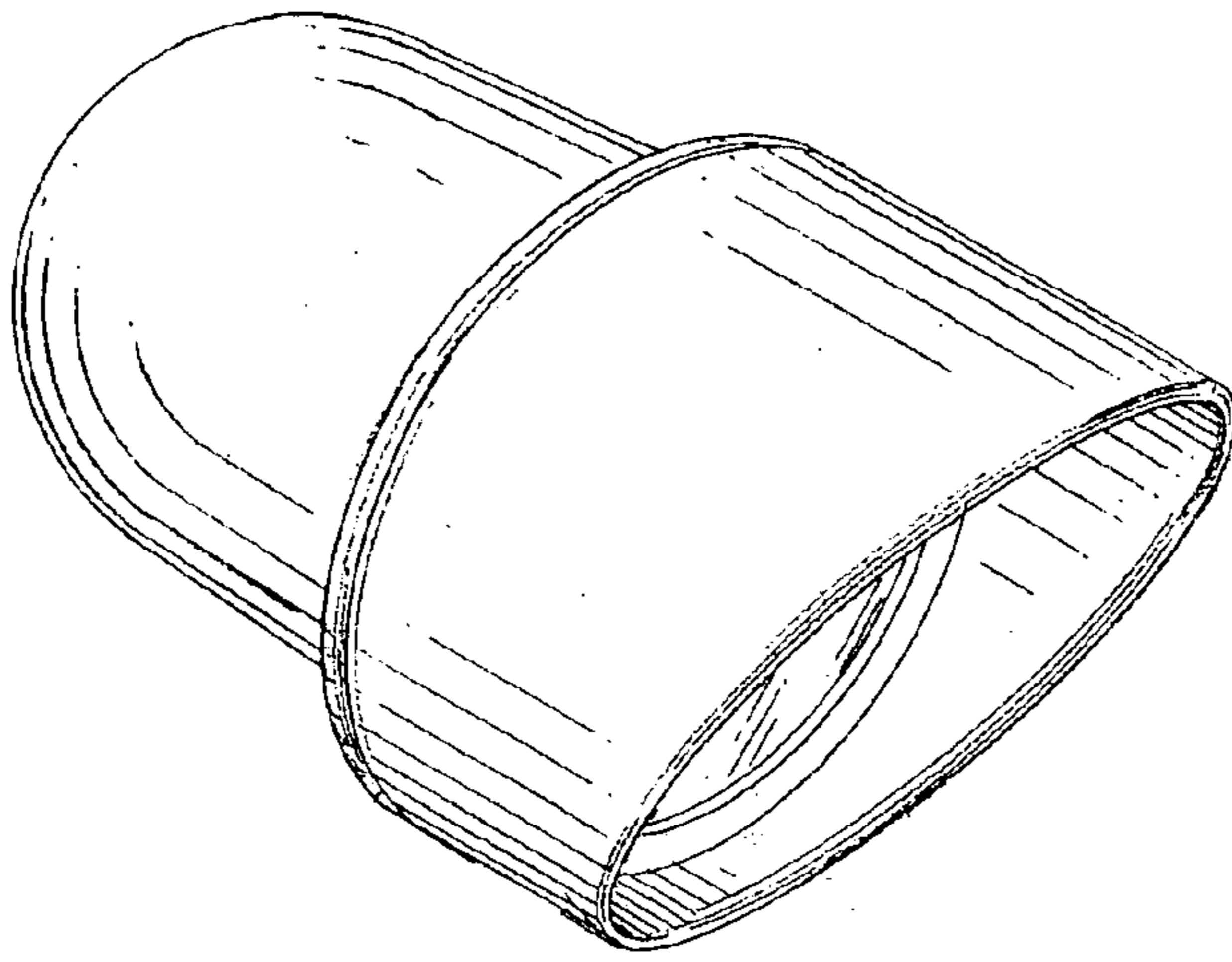


FIG. 8

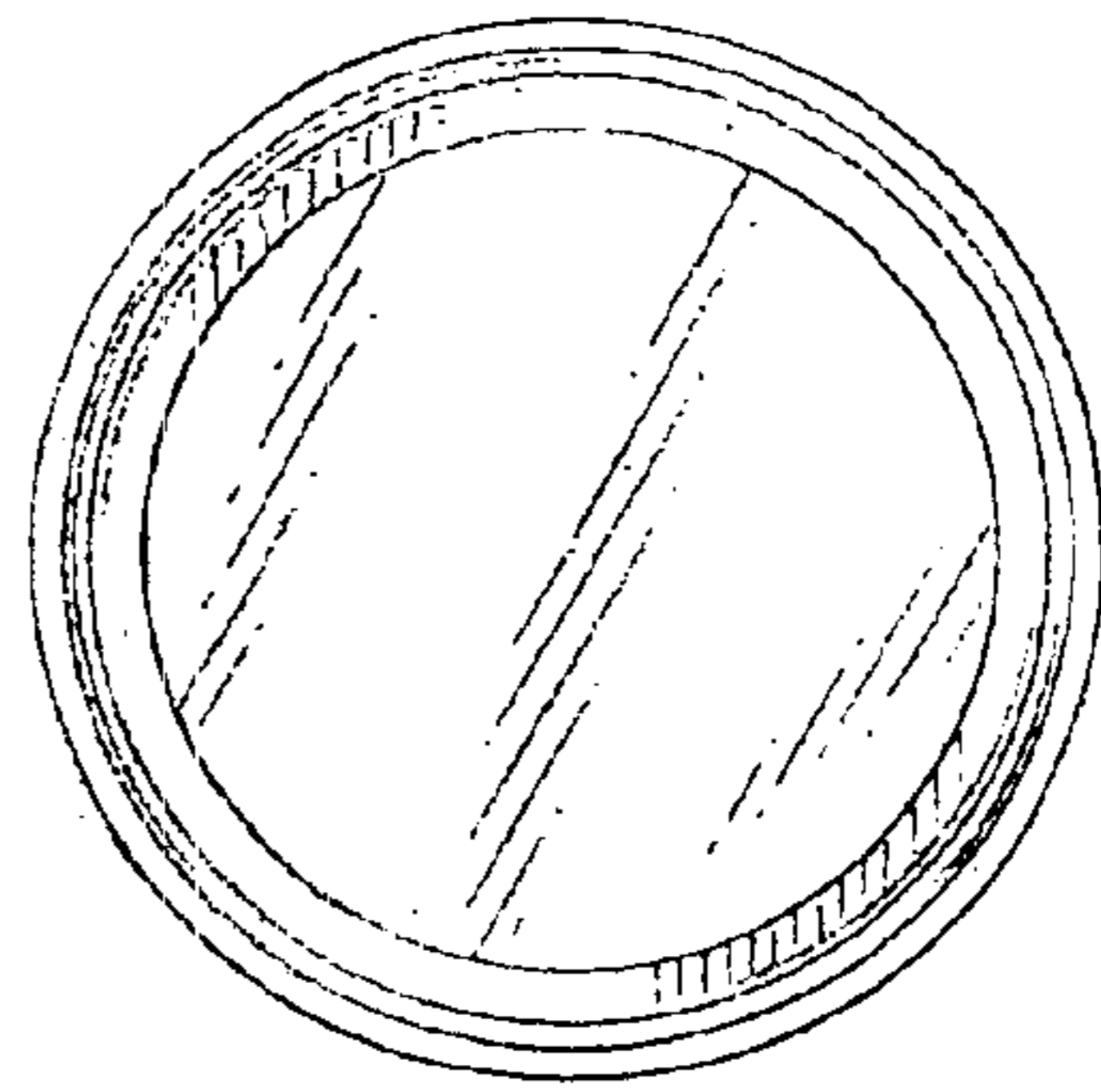


FIG. 9

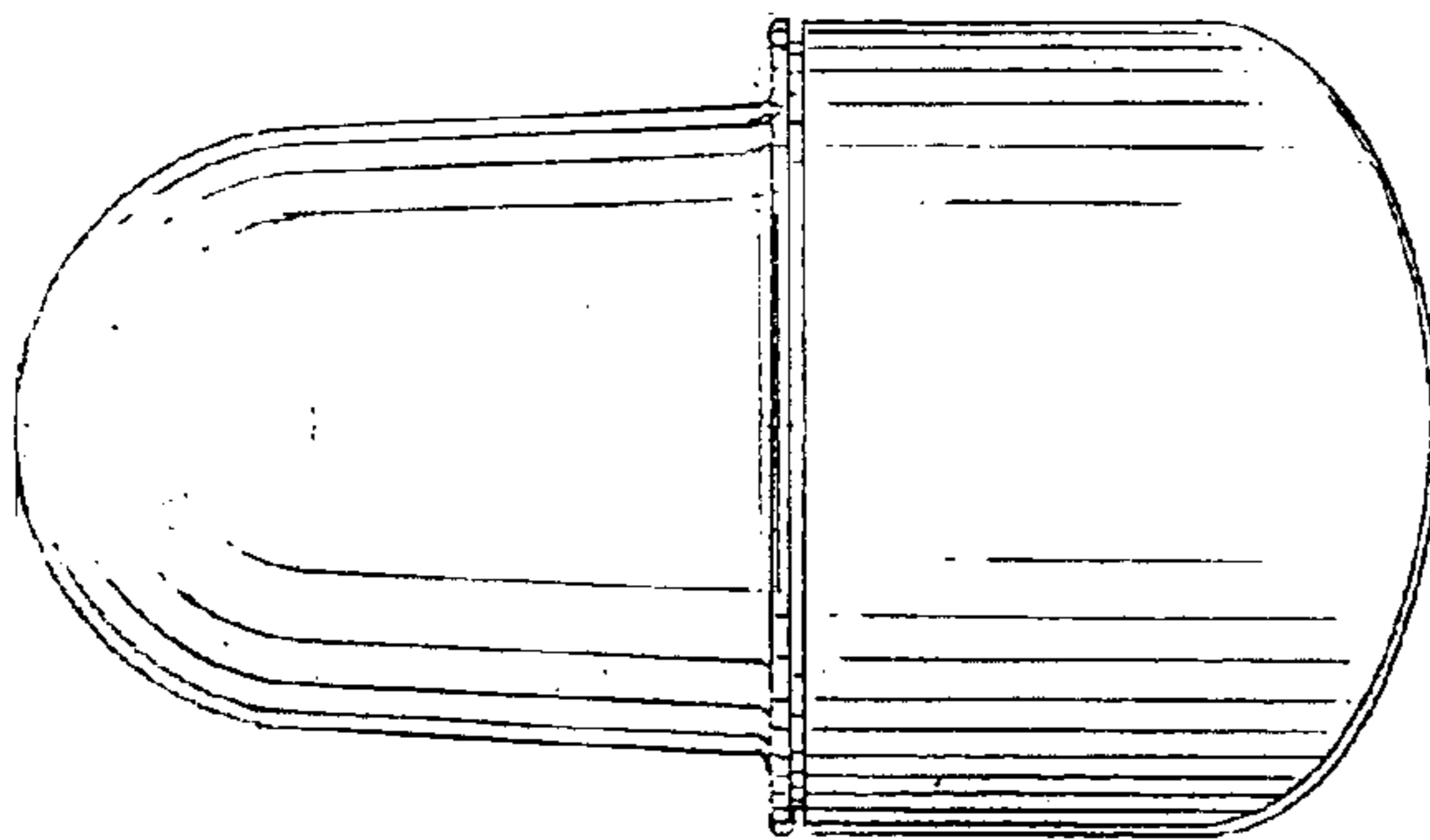


FIG. 11

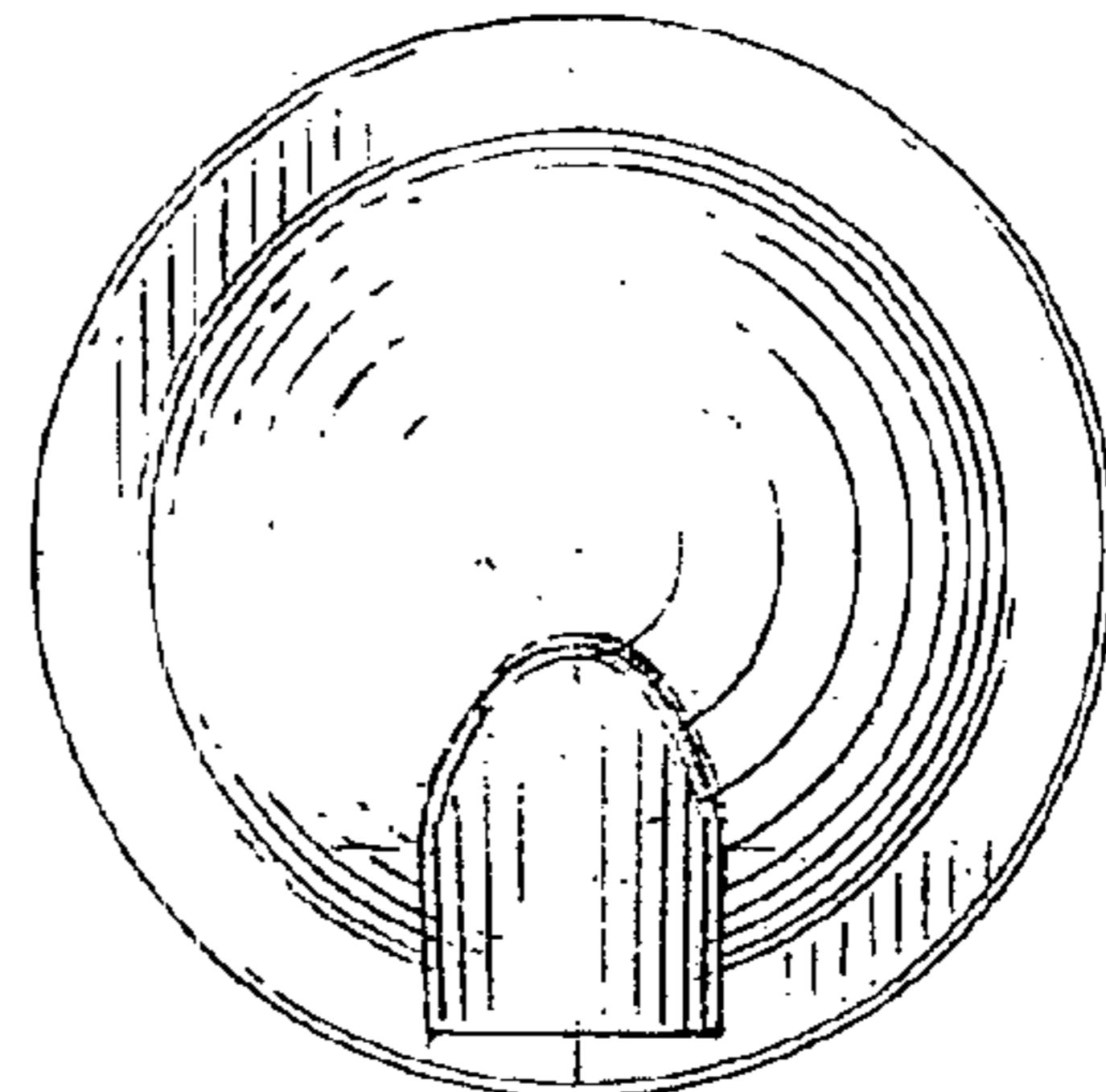


FIG. 10

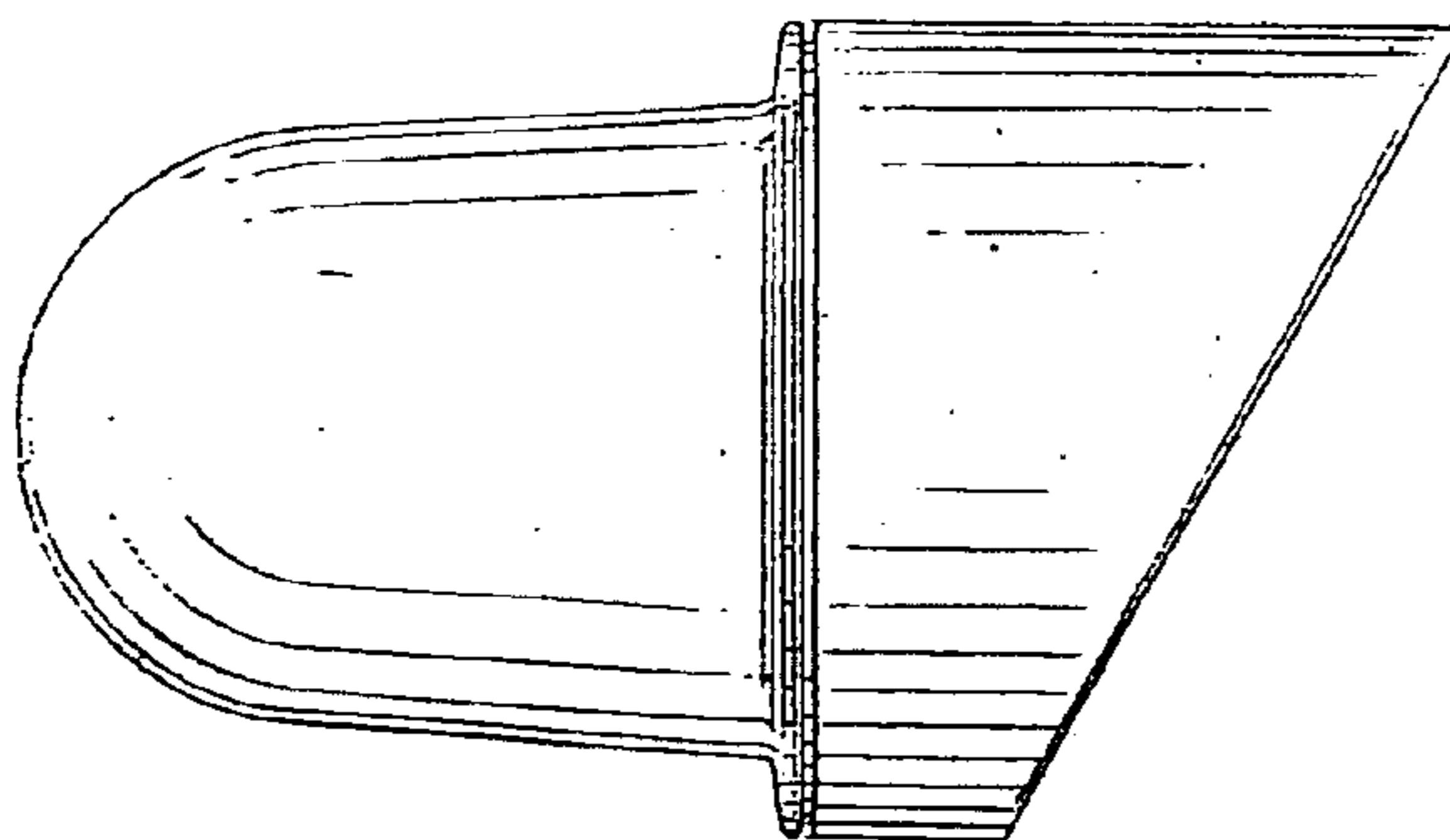


FIG. 12

