



US00D515223S

(12) **United States Design Patent**
Geffe

(10) **Patent No.:** **US D515,223 S**

(45) **Date of Patent:** **** Feb. 14, 2006**

(54) **FLOOR TILE**

(76) **Inventor:** **Kurt Geffe**, 12405 SE. 25th St.,
Bellevue, WA (US) 98005

(**) **Term:** **14 Years**

(21) **Appl. No.:** **29/215,938**

(22) **Filed:** **Oct. 26, 2004**

(51) **LOC (8) Cl.** **25-01**

(52) **U.S. Cl.** **D25/163**

(58) **Field of Classification Search** D25/163,
D25/158; D30/120; 119/480, 525, 526, 527,
119/528, 529, 530

See application file for complete search history.

(56) **References Cited**

U.S. PATENT DOCUMENTS

D93,991 S * 12/1934 Moore D25/158
D456,533 S 4/2002 Moller, Jr.

* cited by examiner

Primary Examiner—Doris Clark

(74) *Attorney, Agent, or Firm*—Graybeal Jackson Haley
LLP

(57) **CLAIM**

The ornamental design of a floor tile, as shown and
described.

DESCRIPTION

FIG. 1 is a top perspective view of the invention;

FIG. 2 is a bottom perspective view of the invention;

FIG. 3 is a top plan view of the invention;

FIG. 4 is a bottom planview of the invention;

FIG. 5 is a first side elevation view of the invention;

FIG. 6 is a second side elevation view of the invention;

FIG. 7 is a third side elevation view of the invention; and,

FIG. 8 is a fourth side elevation view of the invention.

1 Claim, 3 Drawing Sheets

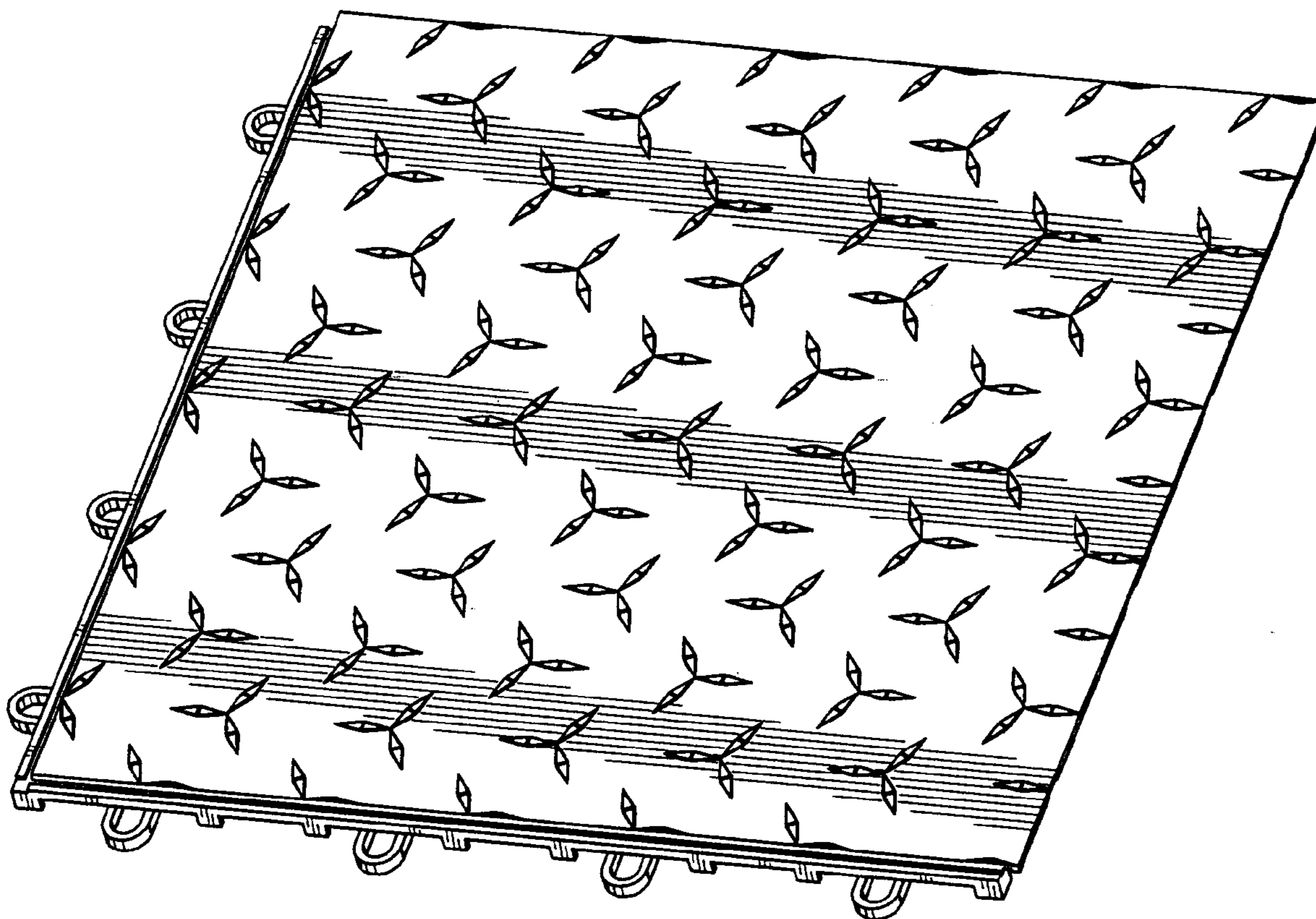


FIG. 1

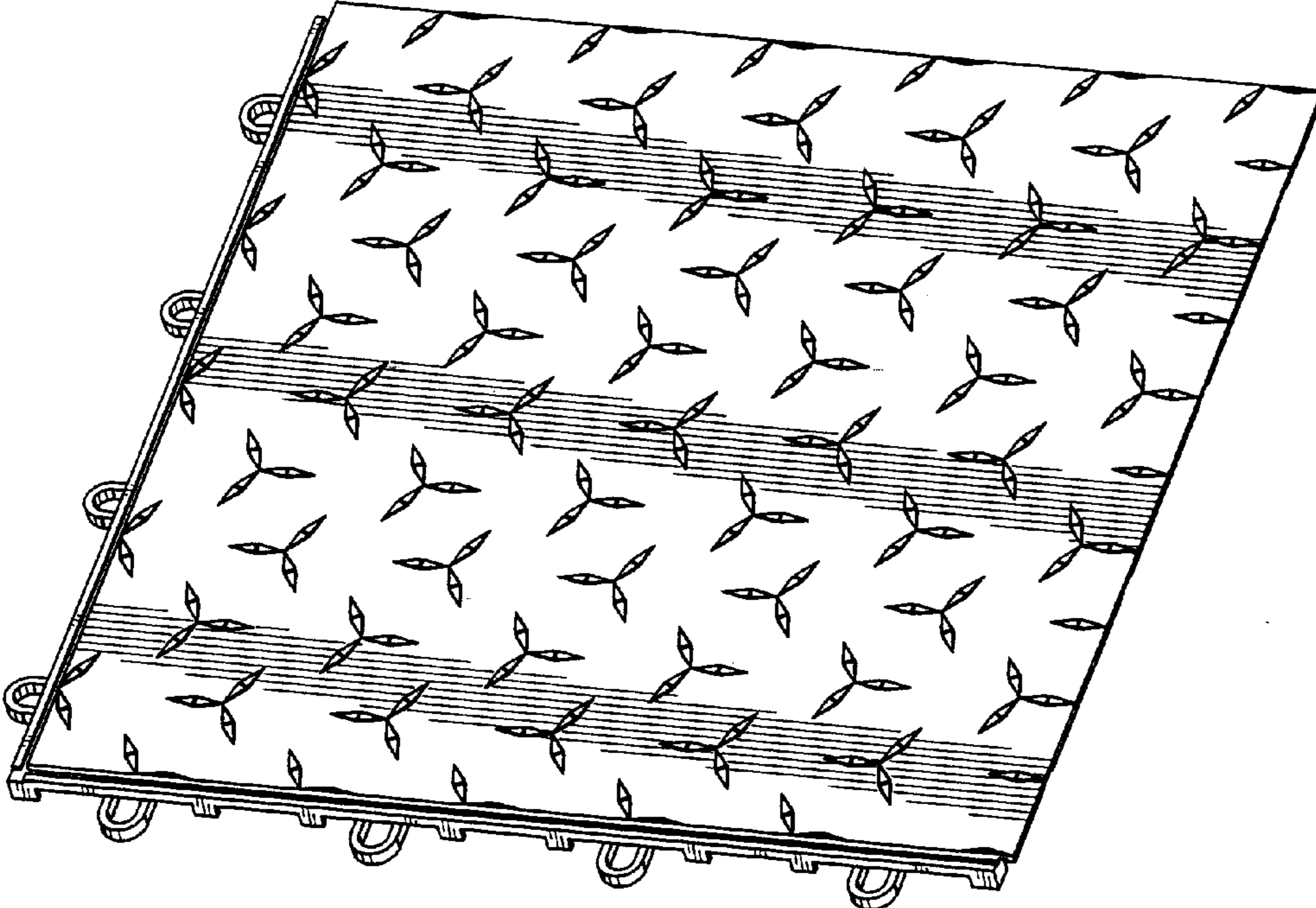


FIG. 2

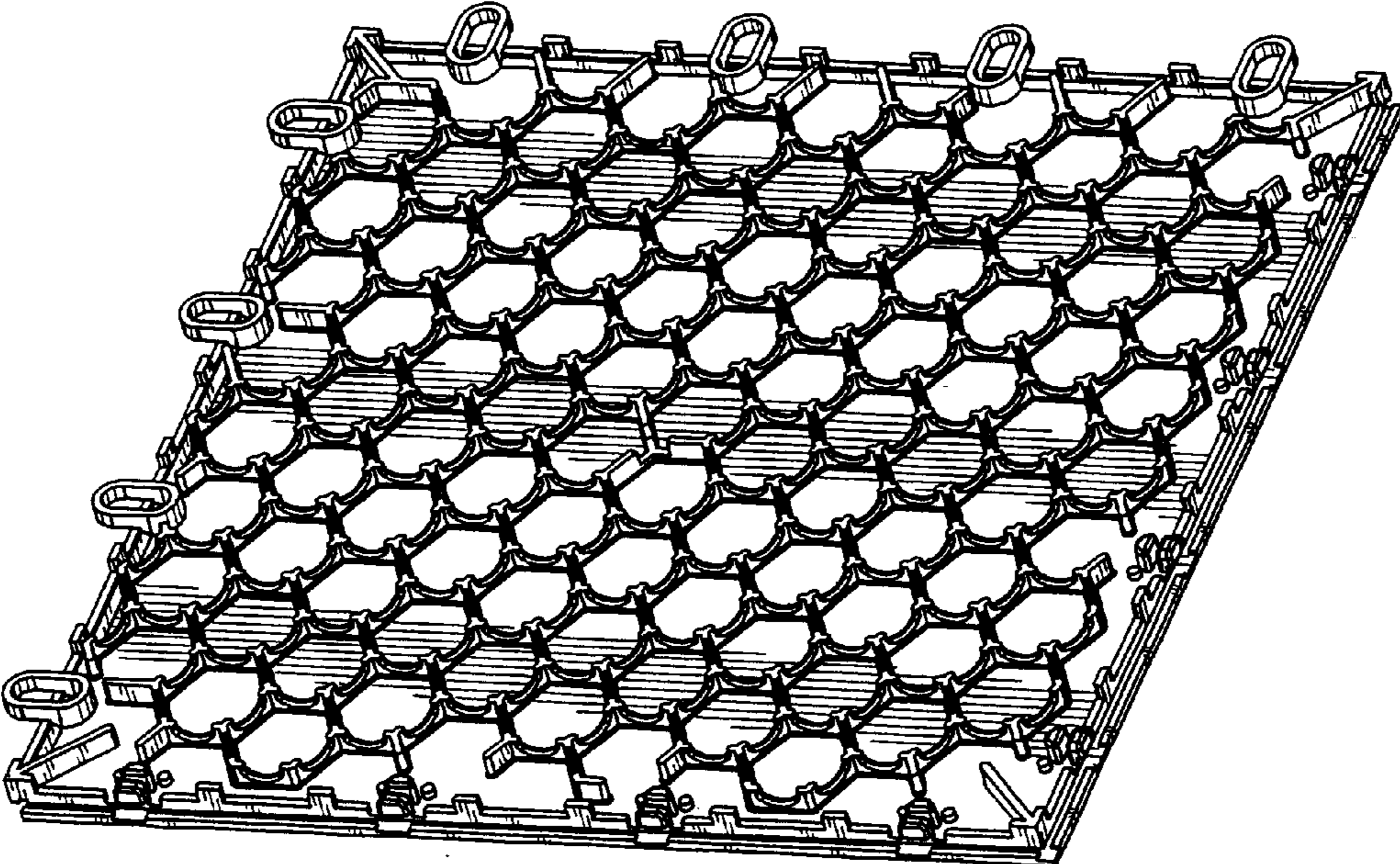


FIG. 3

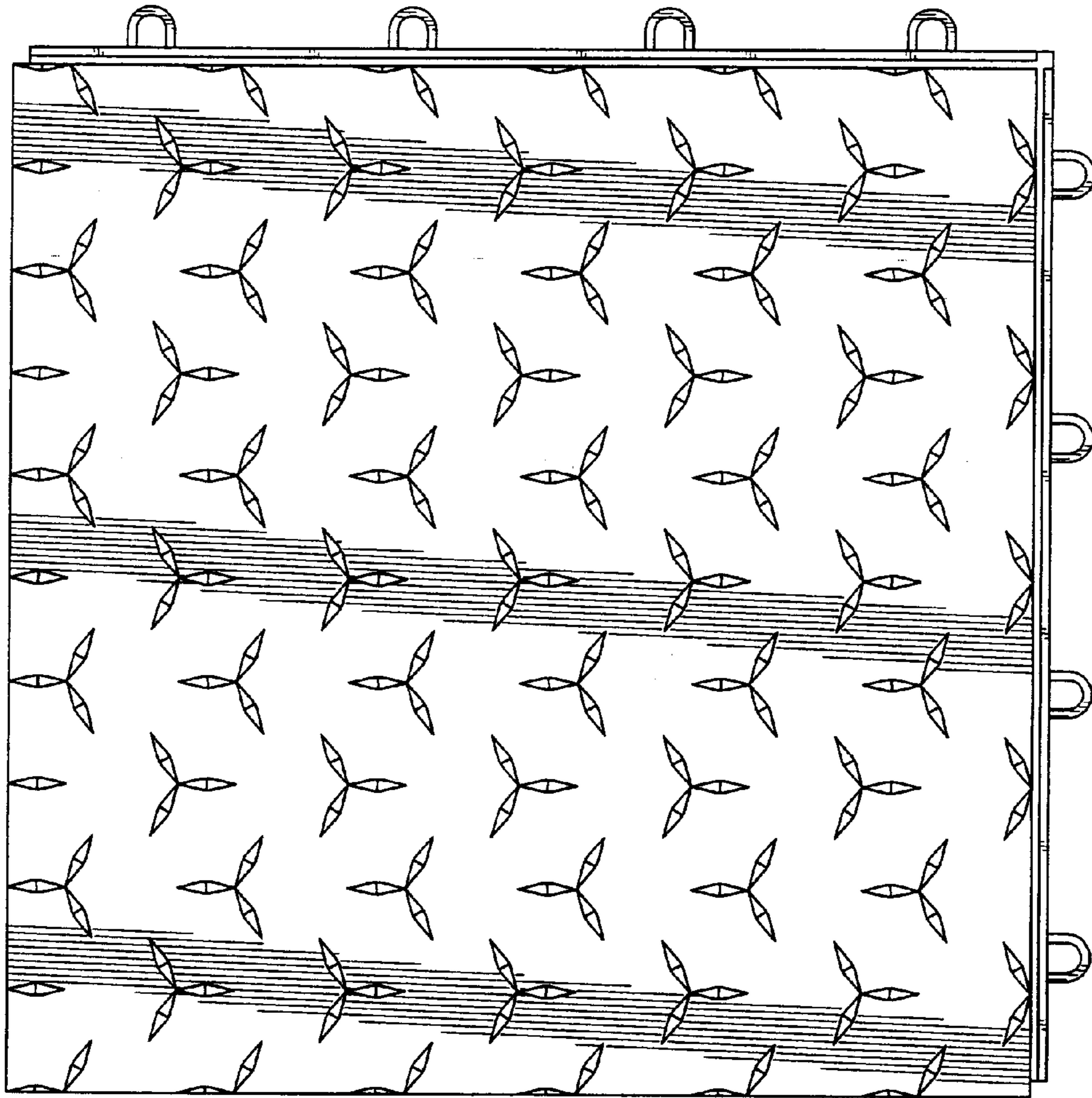


FIG. 5



FIG. 6



FIG. 4

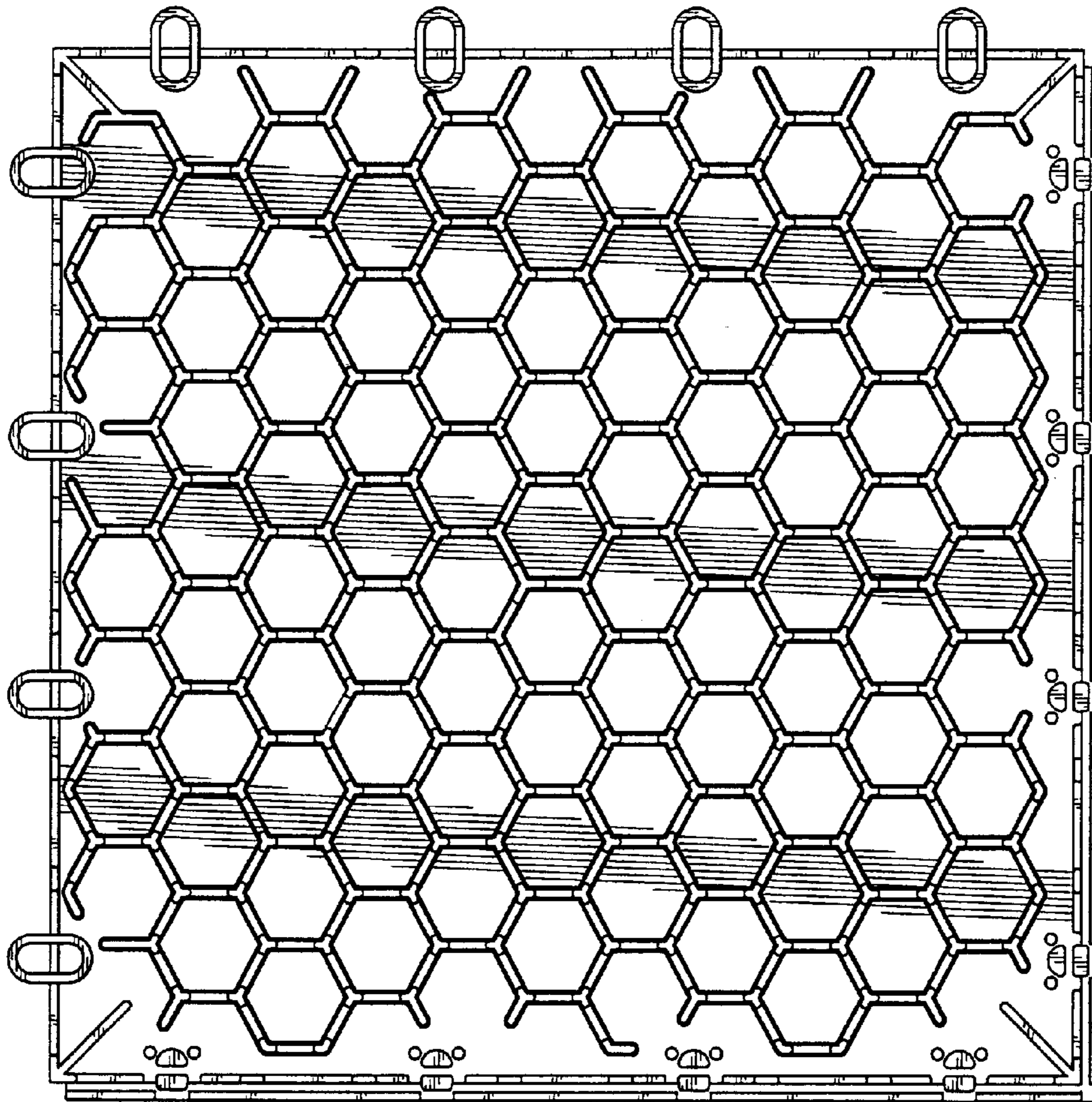


FIG. 7



FIG. 8

