



US00D515214S

(12) **United States Design Patent**  
**Jackson, III et al.**

(10) **Patent No.:** **US D515,214 S**  
(45) **Date of Patent:** **\*\* Feb. 14, 2006**

- (54) **PORTABLE CURING LIGHT**
- (75) Inventors: **David Jackson, III**, Aurora, OH (US);  
**Douglas J. Mansor**, Tallmadge, OH (US)
- (73) Assignee: **Coltene/Whaledent, Inc.**, Cuyahoga Falls, OH (US)
- (\*\*) Term: **14 Years**

- 5,649,943 A \* 7/1997 Amoils ..... 606/161
- D385,630 S \* 10/1997 Lieb et al. .... D24/177
- 5,928,220 A 7/1999 Shimoji
- D413,975 S \* 9/1999 Maeda ..... D24/111
- 6,331,111 B1 12/2001 Cao
- 6,419,483 B1 7/2002 Adam et al.
- D474,276 S \* 5/2003 Greise et al. .... D24/138
- 2004/0214138 A1 \* 10/2004 Senn et al. .... 433/141

- (21) Appl. No.: **29/199,675**
- (22) Filed: **Feb. 18, 2004**
- (51) **LOC (8) Cl.** ..... **24-02**
- (52) **U.S. Cl.** ..... **D24/176; D26/43**
- (58) **Field of Classification Search** ..... D24/176-182,  
D24/152-153, 133; D13/107, 108; 433/39,  
433/3, 50, 53, 114, 141, 144; 606/2, 28, 2.5,  
606/161; 435/141-2; 604/1; D26/43, 45  
See application file for complete search history.

**FOREIGN PATENT DOCUMENTS**

WO WO 03/065920 8/2003

\* cited by examiner

*Primary Examiner*—Charles A. Rademaker

(74) *Attorney, Agent, or Firm*—Katten Muchin Rosenman LLP

(57) **CLAIM**

The ornamental design for a portable curing light, as shown and described.

**DESCRIPTION**

FIG. 1 is a perspective view of a portable curing light showing our new design;

FIG. 2 is a front edge view thereof;

FIG. 3 is a rear edge view thereof;

FIG. 4 is a right edge view thereof;

FIG. 5 is a left edge view thereof;

FIG. 6 is a top elevation view thereof; and,

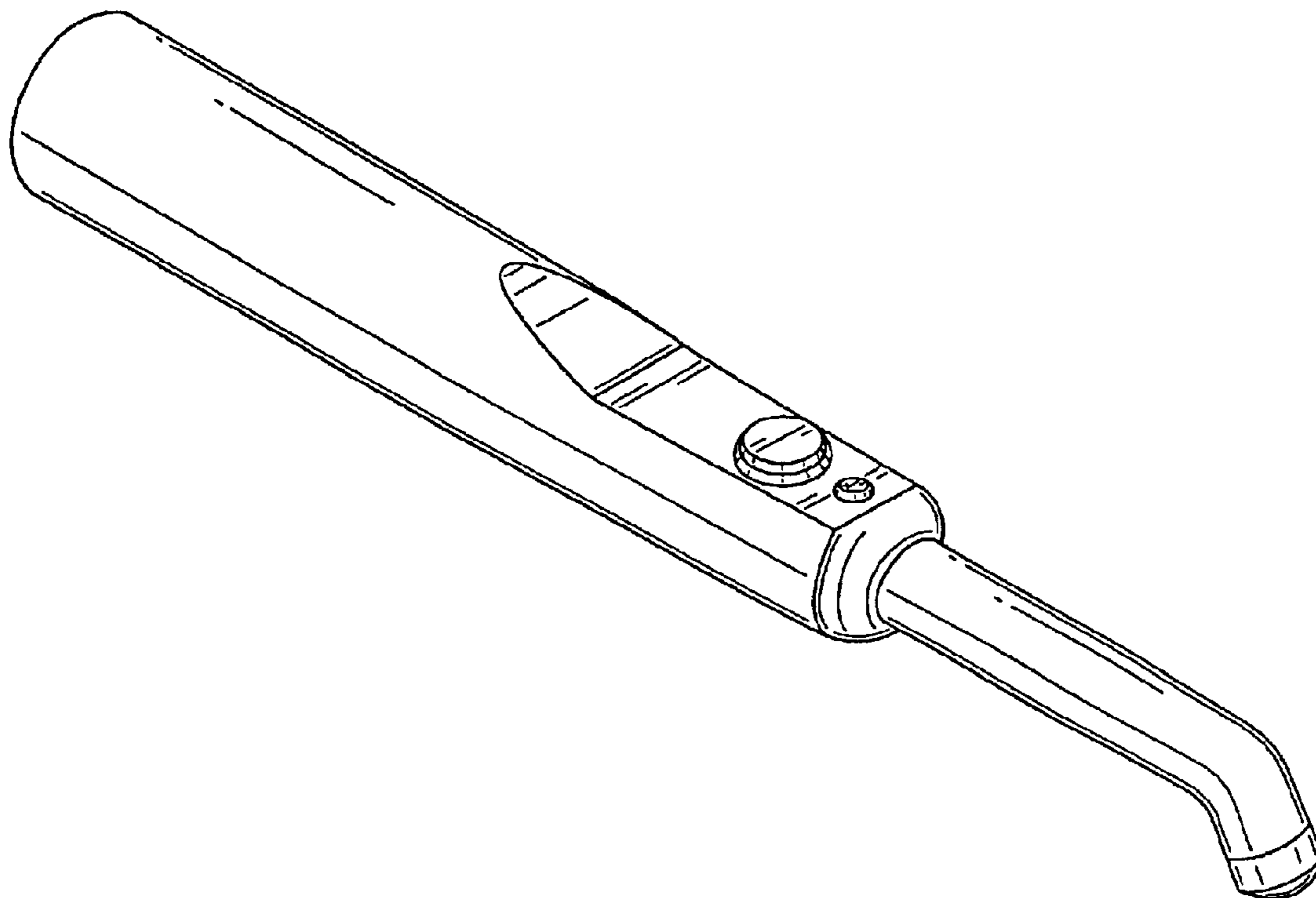
FIG. 7 is a bottom elevation view thereof.

**1 Claim, 4 Drawing Sheets**

(56) **References Cited**

**U.S. PATENT DOCUMENTS**

- D121,757 S \* 8/1940 Abrams ..... D26/43
- 5,098,292 A \* 3/1992 Lazarof ..... 433/141
- D340,521 S \* 10/1993 Heinzelman et al. .... D24/176
- D358,883 S \* 5/1995 Vos ..... D24/113
- 5,420,768 A 5/1995 Kennedy
- D359,573 S \* 6/1995 Citronowicz ..... D26/43
- 5,471,129 A 11/1995 Mann



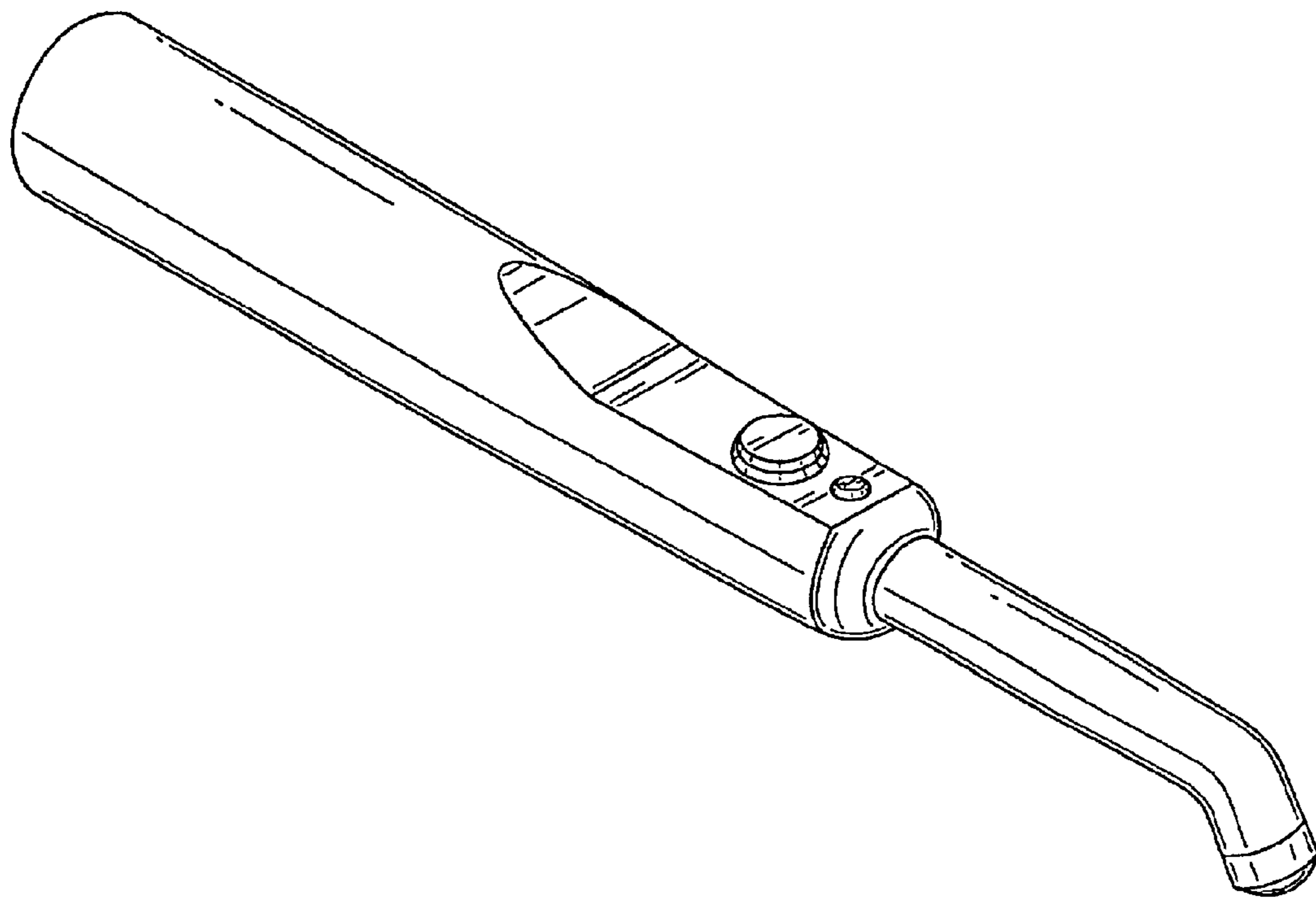


FIG. 1

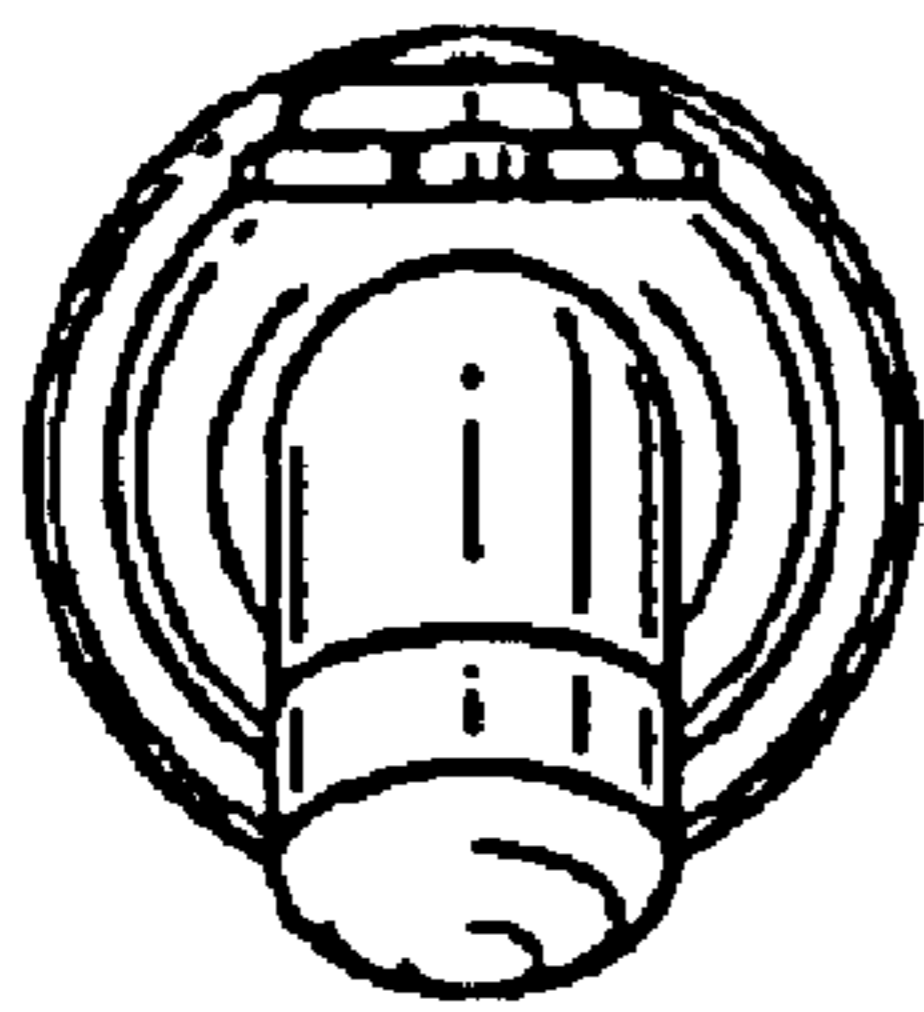


FIG. 2

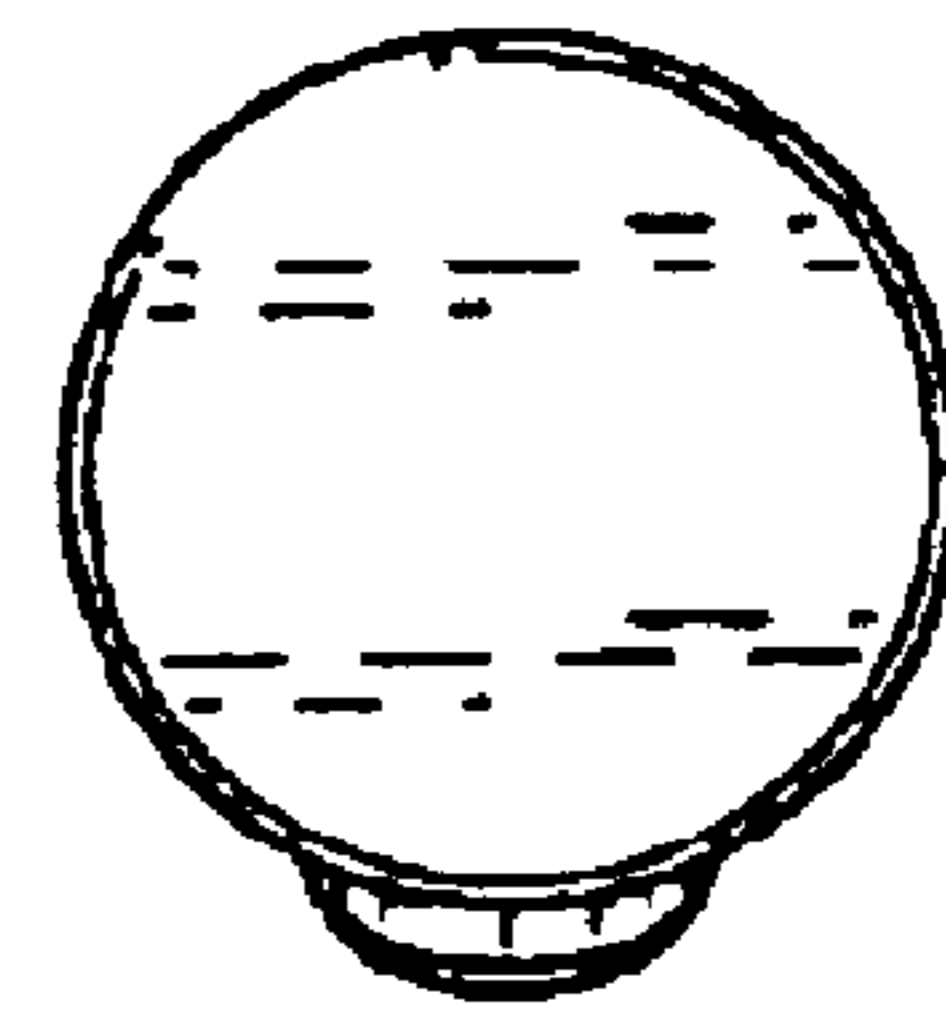


FIG. 3

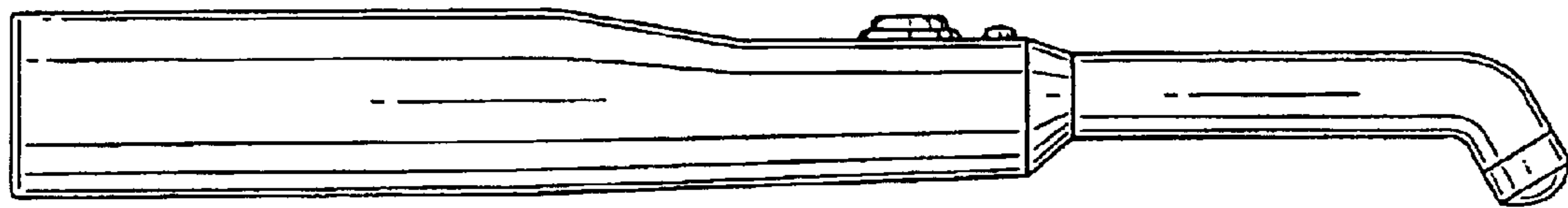


FIG. 4

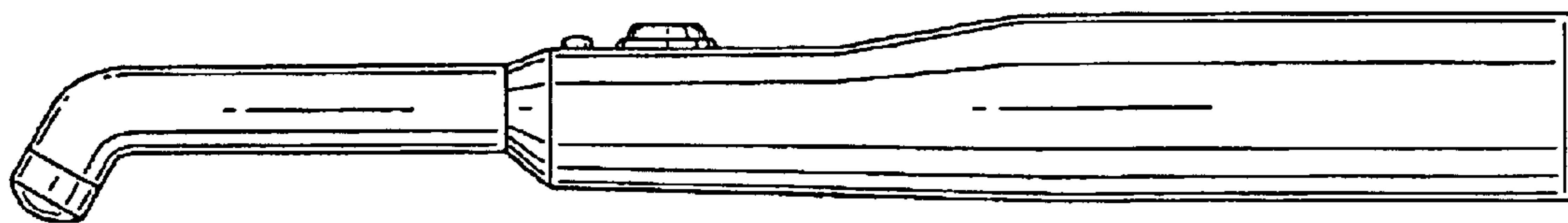


FIG. 5

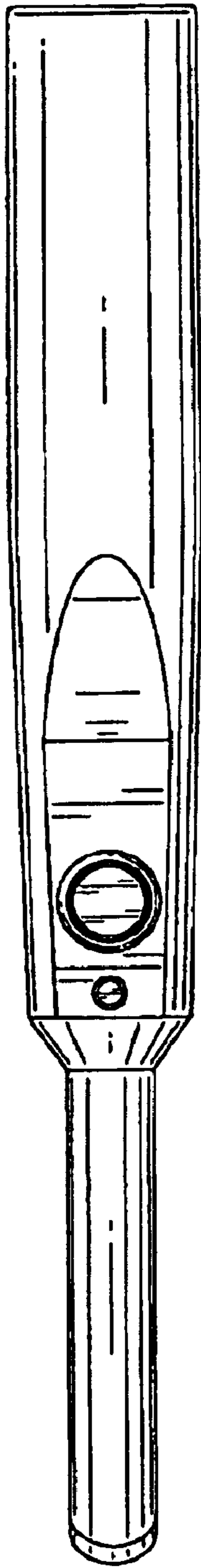


FIG. 6

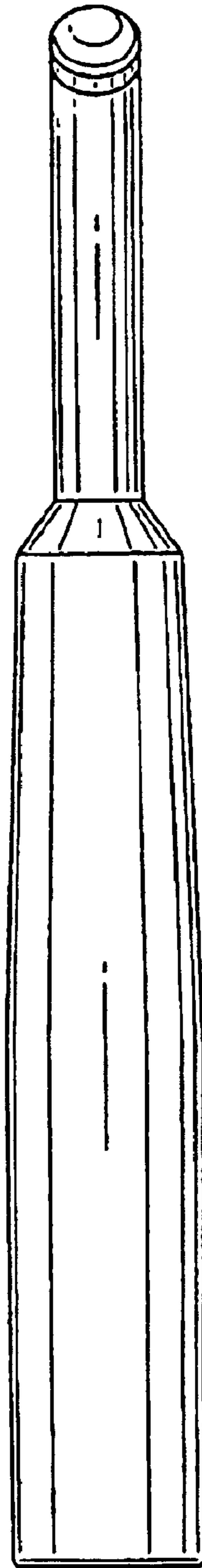


FIG. 7