



US00D515212S

(12) **United States Design Patent** (10) **Patent No.:** **US D515,212 S**
Edgett et al. (45) **Date of Patent:** **** Feb. 14, 2006**

(54) **TAMPON APPLICATOR BARREL WITH FINGER GRIPS**

(75) Inventors: **Keith J. Edgett**, Middletown, DE (US); **Robert T. Jorgensen**, Middletown, DE (US); **George S. Jarmon**, Camden/Wyoming, DE (US); **Jessica E. Lemay**, New York, NY (US)

(73) Assignee: **Playtex Products, Inc.**, Westport, CT (US)

(**) Term: **14 Years**

(21) Appl. No.: **29/205,162**

(22) Filed: **May 10, 2004**

Related U.S. Application Data

(63) Continuation-in-part of application No. 29/179,185, filed on Apr. 4, 2003, now Pat. No. Des. 492,033.

(51) **LOC (8) Cl.** **24-02**

(52) **U.S. Cl.** **D24/141**

(58) **Field of Classification Search** D24/141, D24/135; 604/15, 902, 18, 17, 11, 16, 904, 604/385.17; 606/191

See application file for complete search history.

(56) **References Cited**

U.S. PATENT DOCUMENTS

1,131,349 A 3/1915 Ellis
1,794,221 A 2/1931 Washburn et al.
1,969,671 A 8/1934 Nelson 128/263

(Continued)

FOREIGN PATENT DOCUMENTS

EP 0355396 7/1989
EP 1040808 3/2000
EP 1101472 A2 5/2001

(Continued)

OTHER PUBLICATIONS

Box Panel for Assure! Natural Fit Tampons.

Box Panel for Rely—The first tampon made of tiny sponges and super absorbent fibers.

Primary Examiner—Ian Simmons

(74) *Attorney, Agent, or Firm*—Ohlandt, Greeley, Ruggiero & Perle, L.L.P.

(57) **CLAIM**

The ornamental design for a tampon applicator barrel with finger grips, as shown and described.

DESCRIPTION

FIG. 1 is a rear perspective view of a tampon applicator barrel according to a first embodiment of the present invention;

FIG. 2 is a front perspective view, rotated 180 degrees, of the tampon applicator barrel of FIG. 1;

FIG. 3 is a side view of the tampon applicator barrel of FIG. 1;

FIG. 4 is a first end view of the tampon applicator barrel of FIG. 1;

FIG. 5 is a second end view, opposite the first end view, of the tampon applicator barrel of FIG. 1;

FIG. 6 is a rear perspective view of a tampon applicator barrel according to a second embodiment of the present invention;

FIG. 7 is a front perspective view, rotated 180 degrees, of the tampon applicator barrel of FIG. 6;

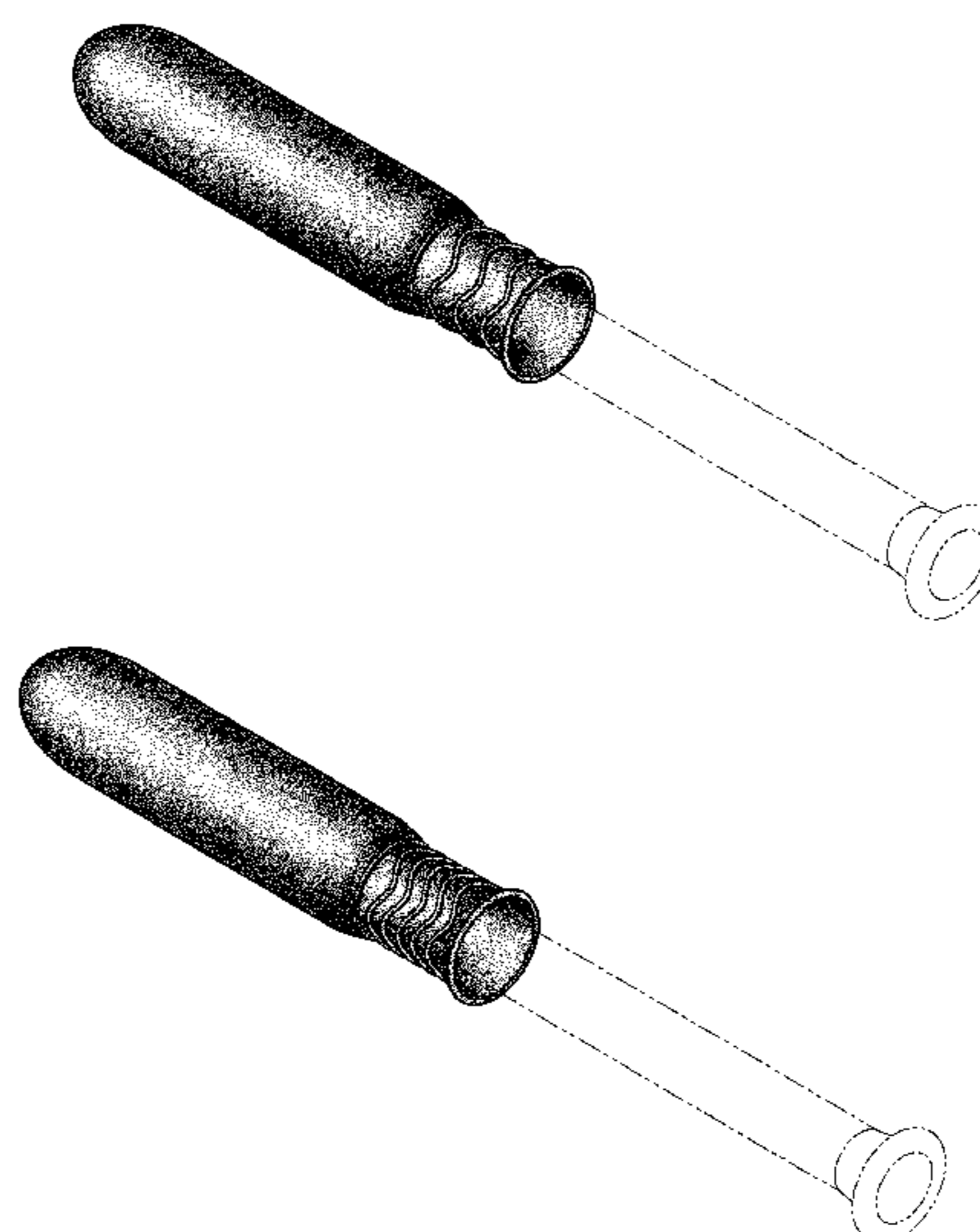
FIG. 8 is a side view of the tampon applicator barrel of FIG. 6;

FIG. 9 is a first end view of the tampon applicator barrel of FIG. 6; and,

FIG. 10 is a second end view, opposite the first end view, of the tampon applicator barrel of FIG. 6.

The broken line showing is for illustrative purposes only and forms no part of the claimed design.

1 Claim, 6 Drawing Sheets



US D515,212 S

U.S. PATENT DOCUMENTS

D98,874 S	3/1936	Lewis	4,424,054 A	1/1984	Conn et al.	604/11
D103,976 S	4/1937	Lermer	4,428,370 A	1/1984	Keely	128/127
2,188,923 A	2/1940	Robinson	4,447,199 A	5/1984	Reed et al.	425/182
2,264,586 A	12/1941	Ross	4,447,222 A	5/1984	Sartinoranont	604/15
2,298,752 A	10/1942	Crockford	4,475,911 A	10/1984	Gellert	604/367
2,476,956 A	7/1949	Bonham	4,479,791 A	10/1984	Sprague	604/14
2,489,502 A	11/1949	Ruth	4,496,341 A	1/1985	Brucks	604/14
2,509,241 A	5/1950	Mende	4,536,178 A	8/1985	Lichstein et al.	604/15
2,587,717 A	3/1952	Fourness	4,543,086 A	9/1985	Johnson	604/11
2,739,593 A	3/1956	McLaughlin	4,547,416 A	10/1985	Reed et al.	428/36
2,854,978 A	10/1958	Millman et al.	4,551,292 A	11/1985	Fletcher et al.	264/139
2,876,496 A	3/1959	Murphy, Jr.	4,573,963 A	3/1986	Sheldon	604/15
2,922,423 A	1/1960	Rickard et al.	4,573,964 A	3/1986	Huffman	604/15
2,934,068 A	4/1960	Graham, Jr. et al.	4,592,740 A	6/1986	Mahruki	604/15
3,032,036 A	5/1962	Rader et al.	4,699,610 A	10/1987	Hanano et al.	604/16
3,034,508 A	5/1962	Nalle, Jr.	4,726,805 A	2/1988	Sanders, III	604/15
3,055,369 A	9/1962	Graham, Jr.	4,735,538 A	4/1988	Reed et al.	413/5
3,059,642 A	10/1962	Gershen	4,806,182 A	2/1989	Rydell et al.	156/211
3,068,867 A	12/1962	Bletzinger et al.	4,846,802 A	7/1989	Sanders, III	604/15
3,086,527 A	4/1963	Forrest	4,891,042 A	1/1990	Melvin et al.	604/18
3,090,385 A	5/1963	Brecht	4,895,559 A	1/1990	Shippert	604/15
3,101,713 A	8/1963	Sargent	4,900,299 A	2/1990	Webb	604/11
3,102,540 A	9/1963	Bentov	4,921,474 A	5/1990	Suzuki et al.	604/16
3,103,929 A	9/1963	Brecht	4,960,417 A	10/1990	Tarr, Jr. et al.	604/15
3,124,134 A	3/1964	Gardner	5,078,702 A	1/1992	Pomeranz	604/280
3,139,886 A	7/1964	Tallman et al.	5,135,475 A	8/1992	Nakanishi et al.	604/14
3,148,680 A	9/1964	Roberts et al.	5,153,971 A	10/1992	Van Iten	28/118
3,204,635 A	9/1965	Voss et al.	5,158,535 A	10/1992	Paul et al.	604/15
3,320,956 A	5/1967	Steiger	5,215,694 A	6/1993	Bartimes et al.	264/68
3,340,874 A	9/1967	Burgeni	5,267,953 A	12/1993	Paul et al.	604/15
3,347,234 A	10/1967	Voss	5,279,541 A	1/1994	Frayman et al.	604/14
3,351,060 A	11/1967	Woskin	5,290,501 A	3/1994	Klesius	264/322
3,358,354 A	12/1967	Voss et al.	5,330,421 A	7/1994	Tarr et al.	604/18
3,409,011 A	11/1968	Mittag	5,348,534 A	9/1994	Tomaszewski et al.	604/14
3,429,312 A	2/1969	Stump	5,389,067 A	2/1995	Rejai	604/14
3,433,225 A	3/1969	Voss et al.	5,389,068 A	2/1995	Keck	604/15
3,575,169 A	4/1971	Voss et al.	5,395,308 A	3/1995	Fox et al.	604/15
3,581,744 A	6/1971	Voss et al.	5,397,312 A	3/1995	Rademaker et al.	604/218
3,628,533 A	12/1971	Loyer	5,437,628 A	8/1995	Fox et al.	604/14
3,645,263 A	2/1972	Bates	5,447,499 A	9/1995	Allaire et al.	602/42
3,674,026 A	7/1972	Werner et al.	5,501,063 A	3/1996	Tews et al.	
3,764,438 A	10/1973	Voss et al.	5,531,674 A	7/1996	Frayman	604/11
3,765,416 A	10/1973	Werner et al.	5,533,966 A	7/1996	Schoelling	604/18
3,765,417 A	10/1973	Crockford	5,533,990 A	7/1996	Yeo	604/363
3,805,786 A	4/1974	Bernardin et al.	5,547,701 A	8/1996	Nielsen et al.	427/2.3
3,807,399 A	4/1974	Morman et al.	5,569,177 A	10/1996	Fox et al.	604/15
3,831,605 A	8/1974	Fournier	5,571,181 A	11/1996	Li	623/11
3,834,389 A	9/1974	Dulle	5,571,540 A	11/1996	Weyenberg et al.	425/343
3,835,856 A	9/1974	Warncke	5,614,230 A	3/1997	Weyenberg et al.	425/393
3,895,634 A	7/1975	Berger et al.	5,659,934 A	8/1997	Jessup et al.	28/120
3,918,452 A	11/1975	Cornfeld	5,662,601 A	9/1997	Snead	604/15
3,929,960 A	12/1975	Findlay et al.	5,683,358 A	11/1997	Nielsen et al.	604/11
3,934,584 A	1/1976	Corio	5,716,572 A	2/1998	Lesiczka et al.	264/161
4,048,998 A	9/1977	Nigro	5,738,646 A	4/1998	Fox et al.	604/15
D250,049 S	10/1978	Hite, Jr.	5,746,710 A	5/1998	Nielsen et al.	609/14
D250,663 S	12/1978	Koch et al.	5,782,793 A	7/1998	Nielsen et al.	604/14
4,148,317 A	4/1979	Loyer	5,786,793 A	7/1998	Maeda et al.	343/700
4,177,237 A	12/1979	Ueno et al.	5,792,096 A	8/1998	Rentmeester et al.	604/14
4,182,328 A	1/1980	Bolduc et al.	5,795,320 A	8/1998	Nielsen et al.	604/12
4,198,978 A	4/1980	Nigro	5,817,047 A	10/1998	Osborn, III et al.	604/14
4,269,187 A	5/1981	Sakurai et al.	5,827,214 A	10/1998	Fox et al.	604/14
4,273,125 A	6/1981	Sakurai	5,827,467 A	10/1998	Ruppert et al.	264/322
4,276,881 A	7/1981	Lilaonitkul	5,873,971 A	2/1999	Balzar	156/217
4,286,595 A	9/1981	Ring	5,891,081 A	4/1999	McNelis et al.	604/14
4,318,405 A	3/1982	Sneider	5,928,183 A	7/1999	Fox et al.	604/14
4,354,495 A	10/1982	Bodicky	5,958,321 A	9/1999	Schoelling et al.	264/318
4,361,150 A	11/1982	Voss	D415,565 S	10/1999	Hayes et al.	D24/141
4,398,532 A	8/1983	Sweeney, III	5,984,888 A	11/1999	Nielsen et al.	604/12
4,411,647 A	10/1983	Sakurai et al.	6,019,744 A	2/2000	Altdorf et al.	604/16
4,412,833 A	11/1983	Wiegner et al.	6,024,716 A	2/2000	Rejai	
			6,036,666 A	3/2000	Peiler et al.	604/11

US D515,212 S

Page 3

6,045,526 A 4/2000 Jackson 604/15
6,068,899 A 5/2000 Osborn, III et al. 428/35.2
6,126,886 A 10/2000 Beck et al. 264/521
D436,661 S 1/2001 Berry D24/141
6,168,576 B1 1/2001 Reynolds 604/15
6,190,348 B1 2/2001 Tiemann et al. 604/15
6,217,542 B1 4/2001 Stevens et al. 604/17
6,254,566 B1 7/2001 Buck et al. 604/15
6,270,470 B1 8/2001 Buck et al. 604/15
6,296,633 B1 10/2001 Helgerson 606/1
6,355,011 B2 3/2002 Suga 604/15
6,364,852 B1 4/2002 Lee 604/15
6,364,854 B1 4/2002 Ferrer et al. 604/60
6,416,488 B1 * 7/2002 Jackson et al. 604/15
6,432,075 B1 8/2002 Wada et al. 604/15
6,432,076 B1 8/2002 Wada et al. 604/15
6,450,986 B1 9/2002 Binner et al. 604/15
6,478,764 B1 11/2002 Suga 604/15
6,511,452 B1 * 1/2003 Rejai et al. 604/15
6,890,324 B1 * 5/2005 Jackson et al. 604/385.17
2001/0014784 A1 * 8/2001 Tweddell et al. 604/15
2002/0026140 A1 2/2002 McNamara 604/12

2003/0040695 A1 2/2003 Zhao et al. 604/15
2003/0045829 A1 3/2003 Gehling et al. 604/11

FOREIGN PATENT DOCUMENTS

EP 1101473 A2 5/2001
EP 1101472 A3 7/2001
EP 1101473 A3 3/2004
FR 2639833 6/1990
GB 549053 11/1942
GB 1016867 1/1966
JP SHO 53-74795 7/1978
JP 57-87730 U 11/1980
JP 05084263 4/1993
JP 2000279445 10/2000
JP 2000279446 10/2000
JP 2001000473 1/2001
JP 2001145657 5/2001
JP 2001145658 5/2001
ZA 777411 11/1977

* cited by examiner

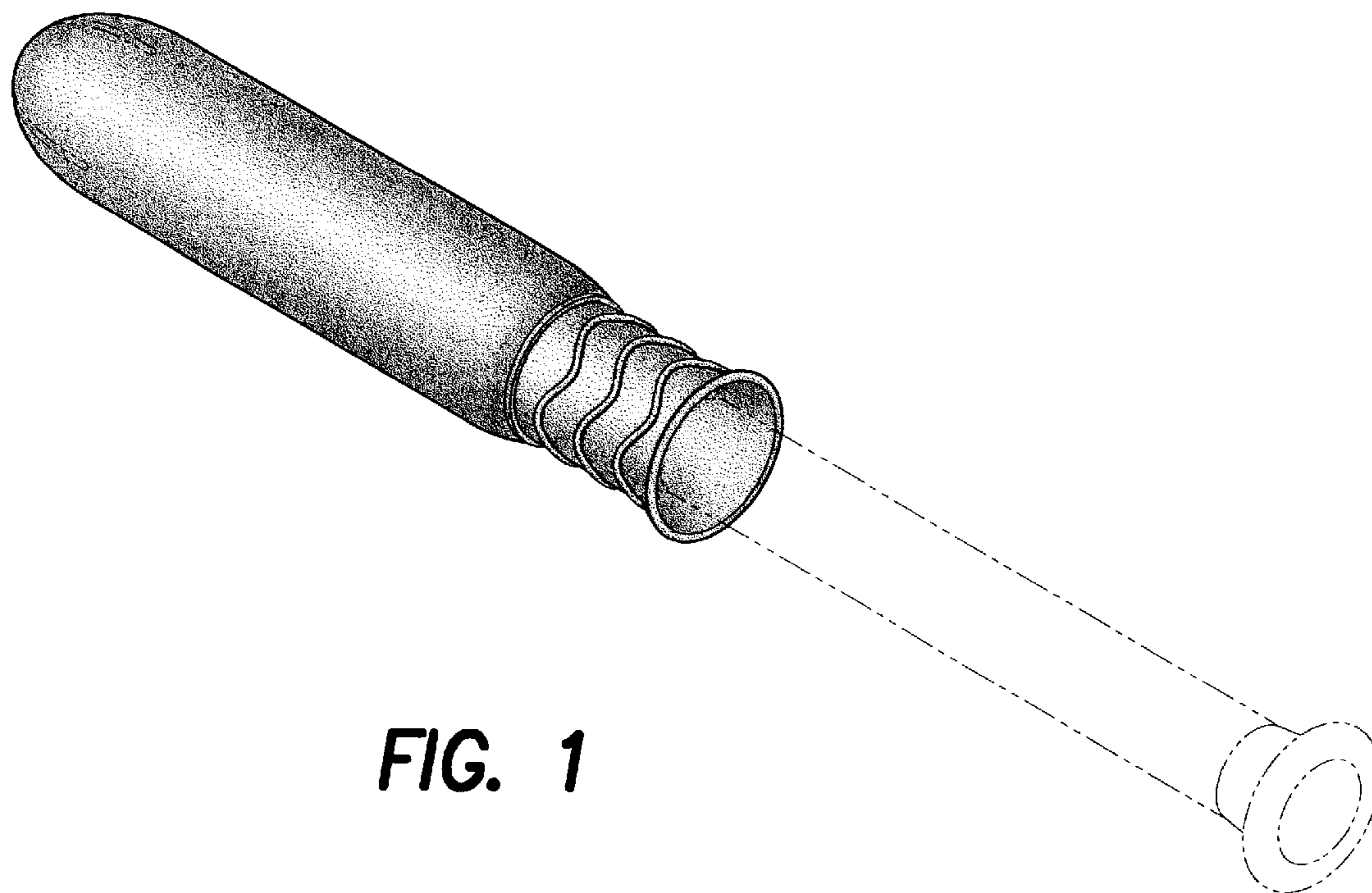


FIG. 1

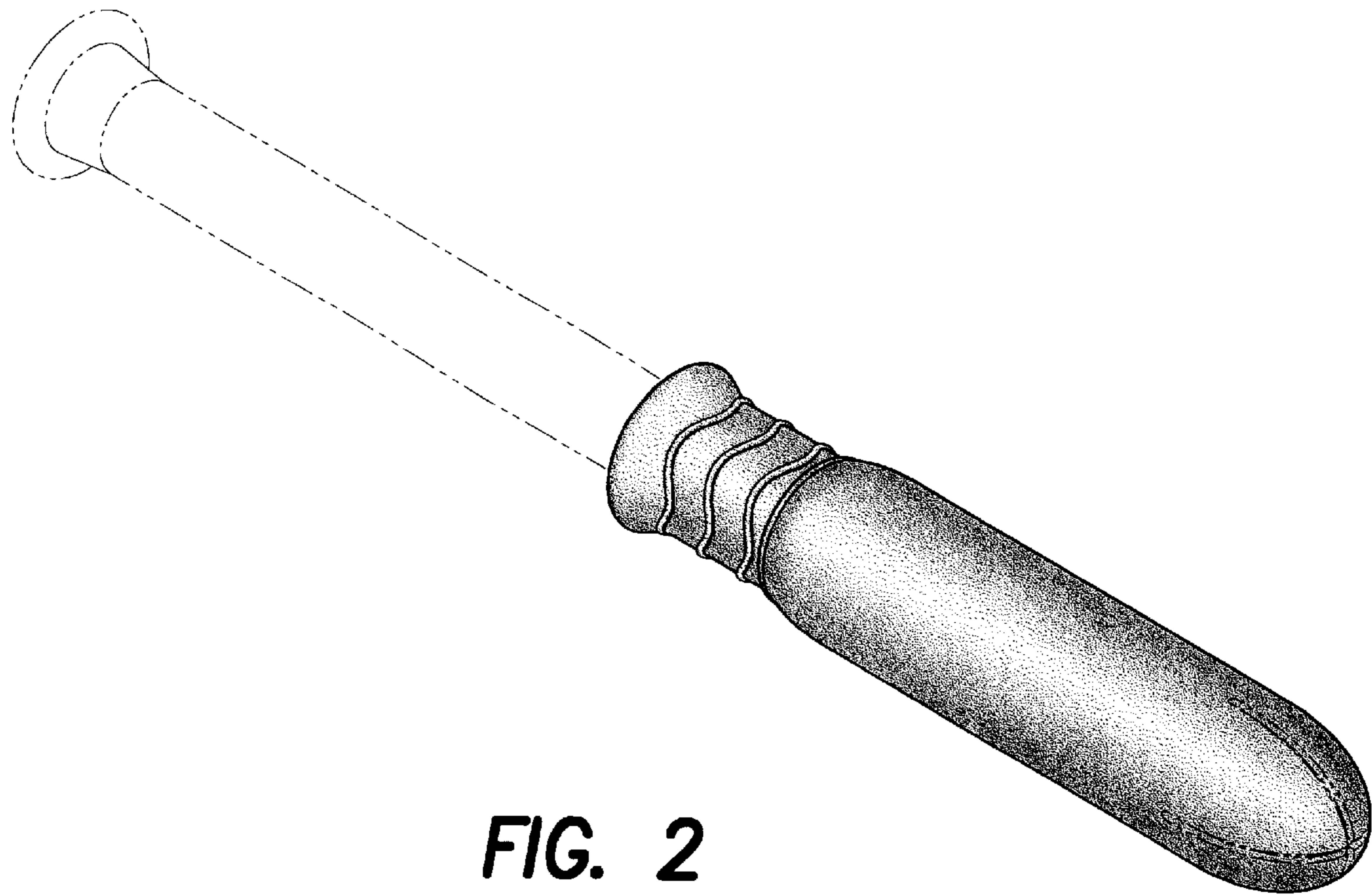


FIG. 2

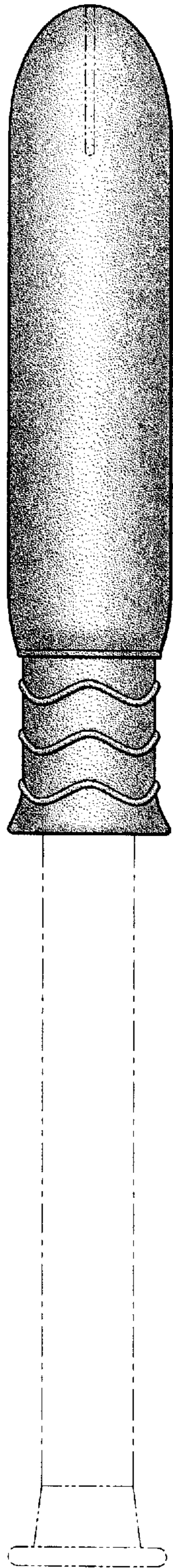


FIG. 3

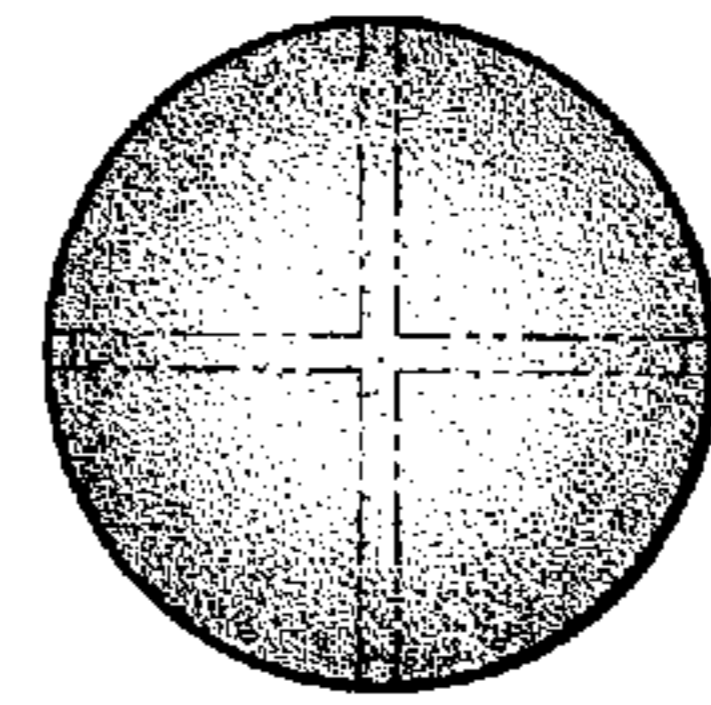


FIG. 4

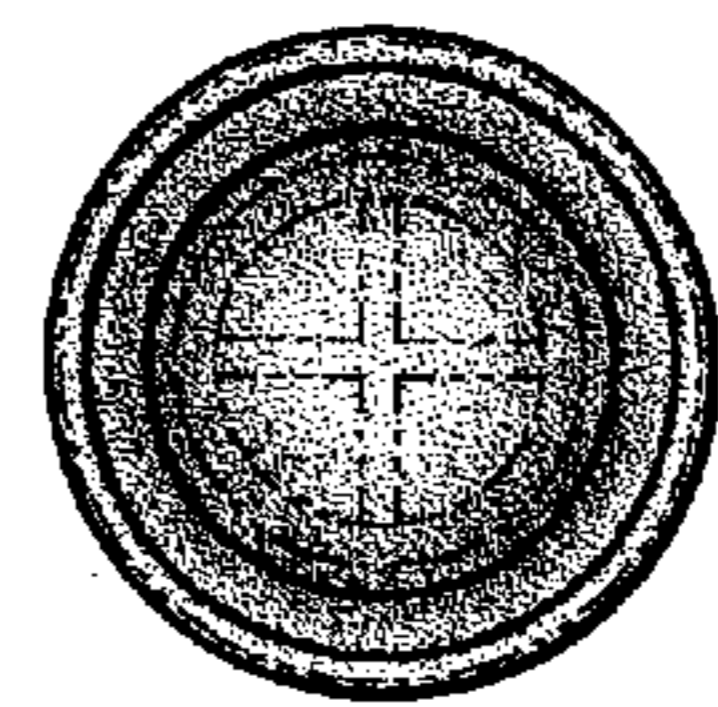


FIG. 5

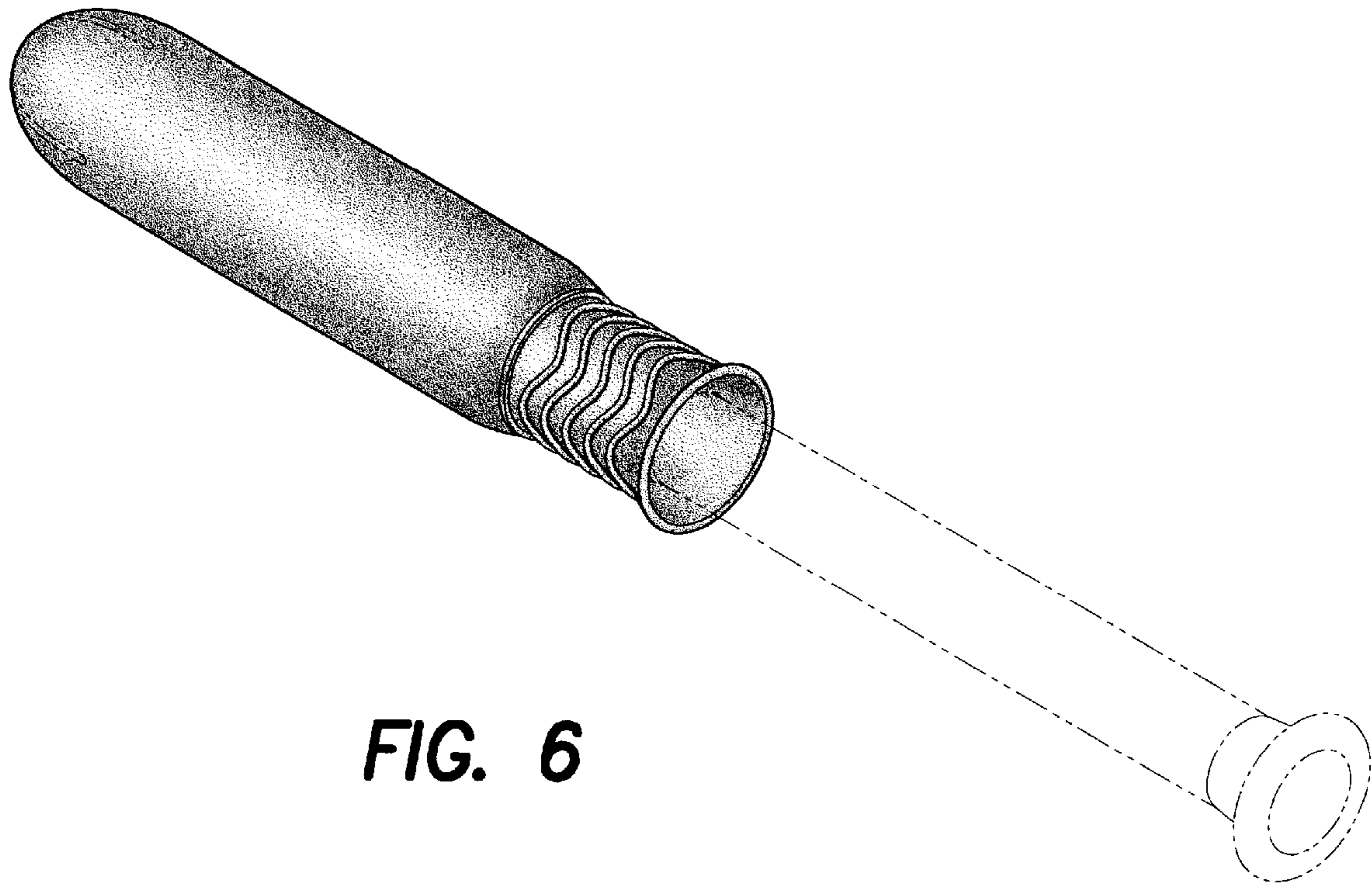


FIG. 6

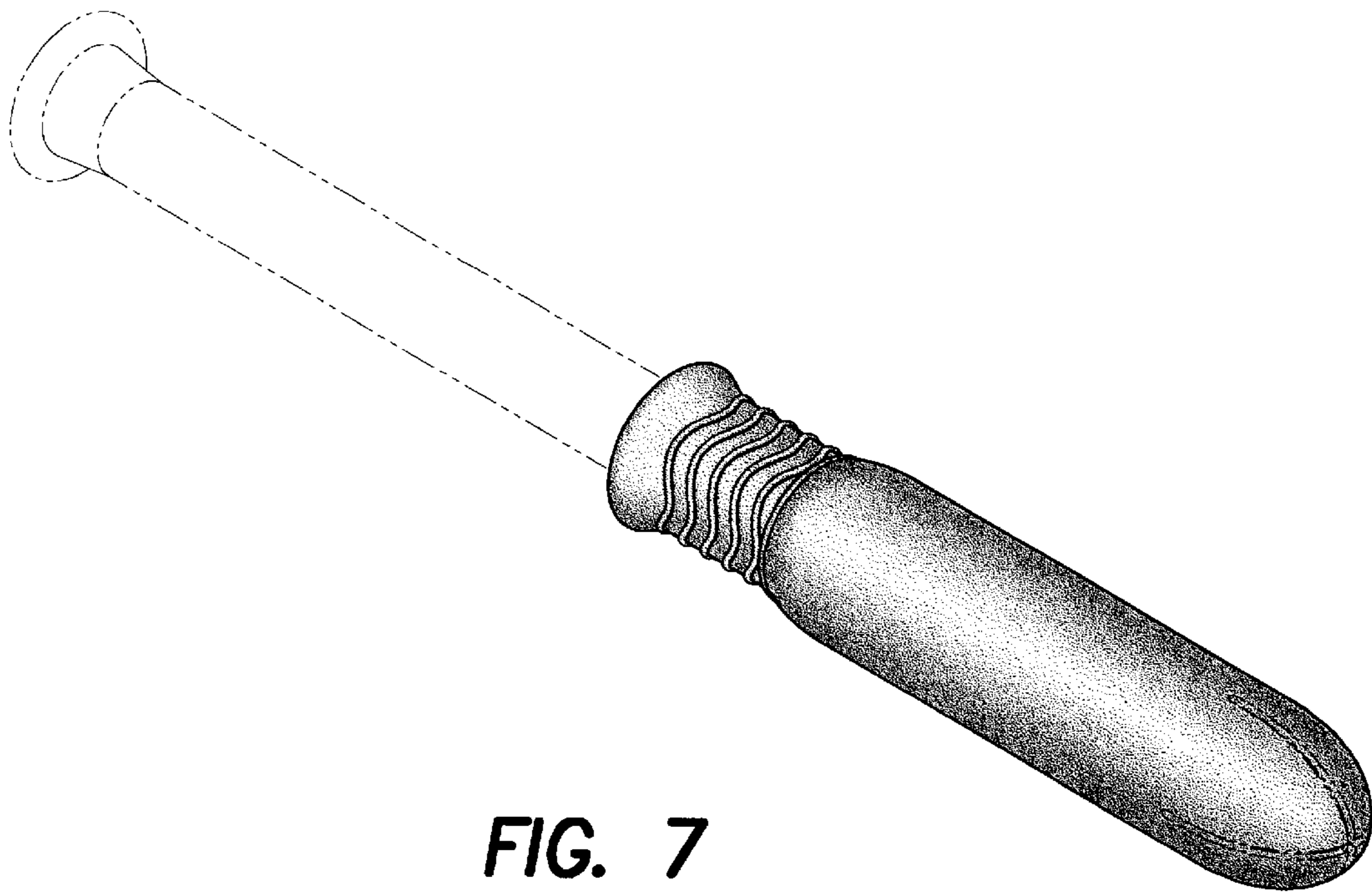


FIG. 7

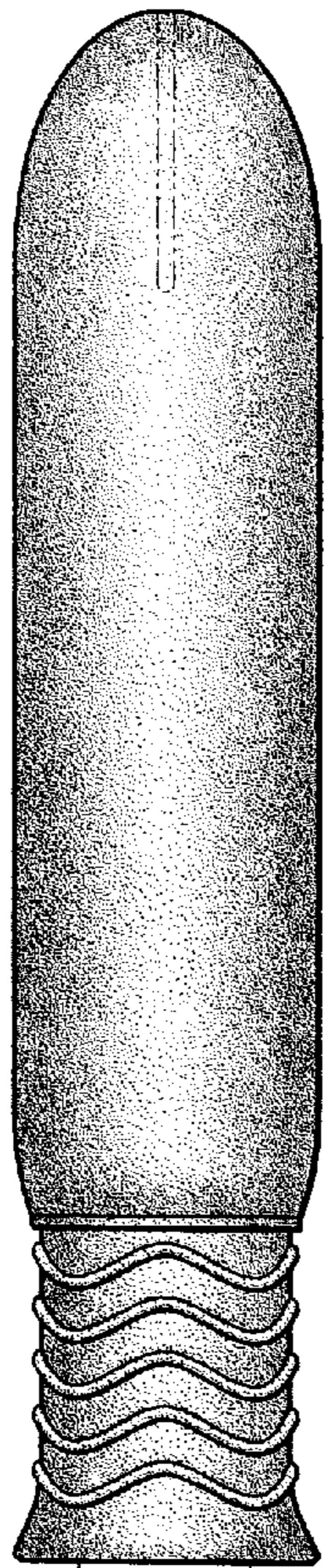


FIG. 8

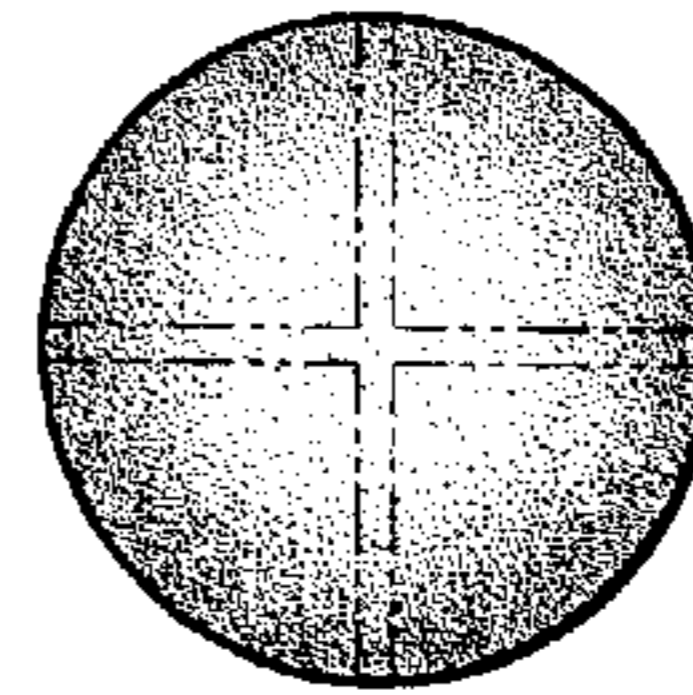


FIG. 9

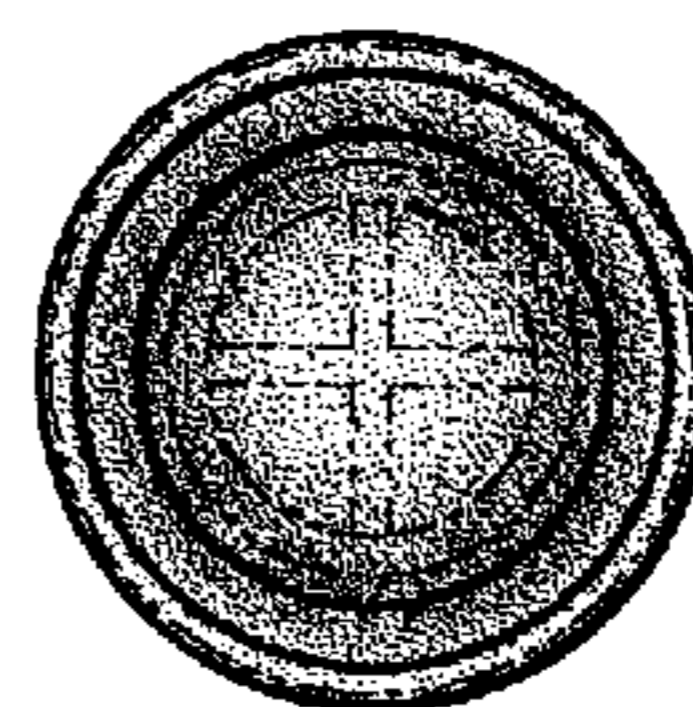


FIG. 10