



US00D515208S

(12) **United States Design Patent**
Tarumi

(10) **Patent No.: US D515,208 S**
(45) **Date of Patent: ** Feb. 14, 2006**

(54) **INJECTION APPARATUS**

6,613,024 B1 * 9/2003 Gargione 604/218

(75) Inventor: **Junichi Tarumi, Nishinomiya (JP)**

FOREIGN PATENT DOCUMENTS

(73) Assignee: **Wet Trust Japan Co., Ltd., Osaka (JP)**

JP	60-79447	6/1985
JP	2-131414	11/1990
KR	30-0313839	2/2003

(**) Term: **14 Years**

* cited by examiner

(21) Appl. No.: **29/211,765**

Primary Examiner—Ian Simmons

(22) Filed: **Aug. 20, 2004**

Assistant Examiner—Daniel Yu

(30) **Foreign Application Priority Data**

(74) *Attorney, Agent, or Firm*—Koda & Androlia

Feb. 20, 2004 (JP) 2004-004427

(57) **CLAIM**

(51) **LOC (8) Cl.** **24-02**

The ornamental design for a an injection apparatus, as shown and described.

(52) **U.S. Cl.** **D24/114**

DESCRIPTION

(58) **Field of Classification Search** D24/115,
D24/114, 112, 108, 141, 386, 327, 325; 222/286,
222/323, 15, 68, 104; 604/38, 310, 311, 218,
604/514, 515, 516, 517, 518, 223, 275, 279,
604/285, 59, 60, 97.02

FIG. 1 is a perspective view taken from the front and left side of the injection apparatus, showing my new design; FIG. 2 is a front elevational view of the injection apparatus, the rear elevational view being a mirror image of the front elevational view, and the top plan view and the bottom plan view being respectively identical to the front elevational view;

See application file for complete search history.

FIG. 3 is a top plan view of the injection apparatus;

(56) **References Cited**

U.S. PATENT DOCUMENTS

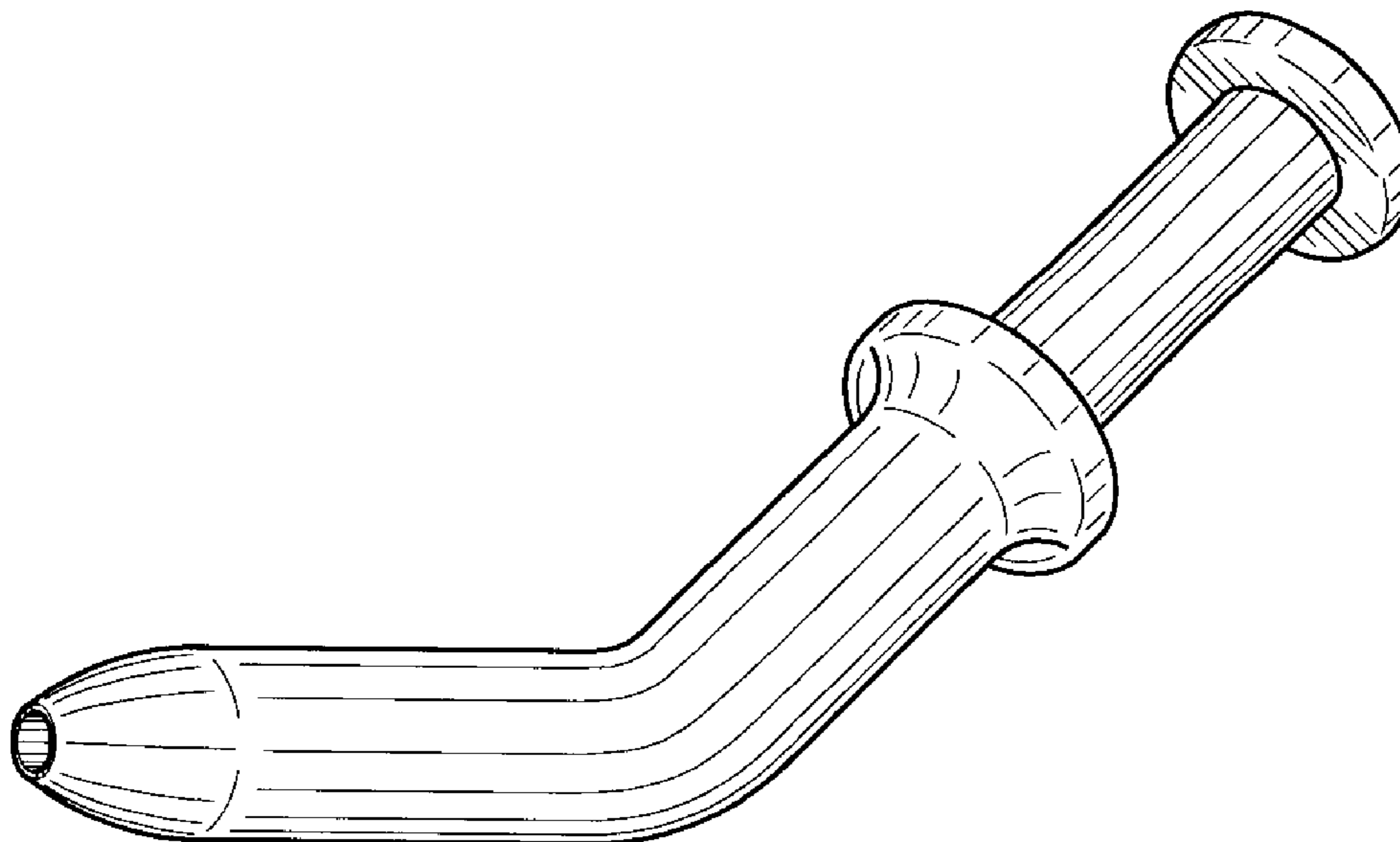
1,608,275	A	*	11/1926	Grier et al.	604/218
3,436,828	A	*	4/1969	Dragan	433/90
4,341,211	A	*	7/1982	Kline	604/514
4,900,315	A	*	2/1990	Lundqvist et al.	604/311

FIG. 4 is a bottom plan view thereof;

FIG. 5 is a right side elevational view thereof; and,

FIG. 6 is a left side elevational view thereof.

1 Claim, 3 Drawing Sheets



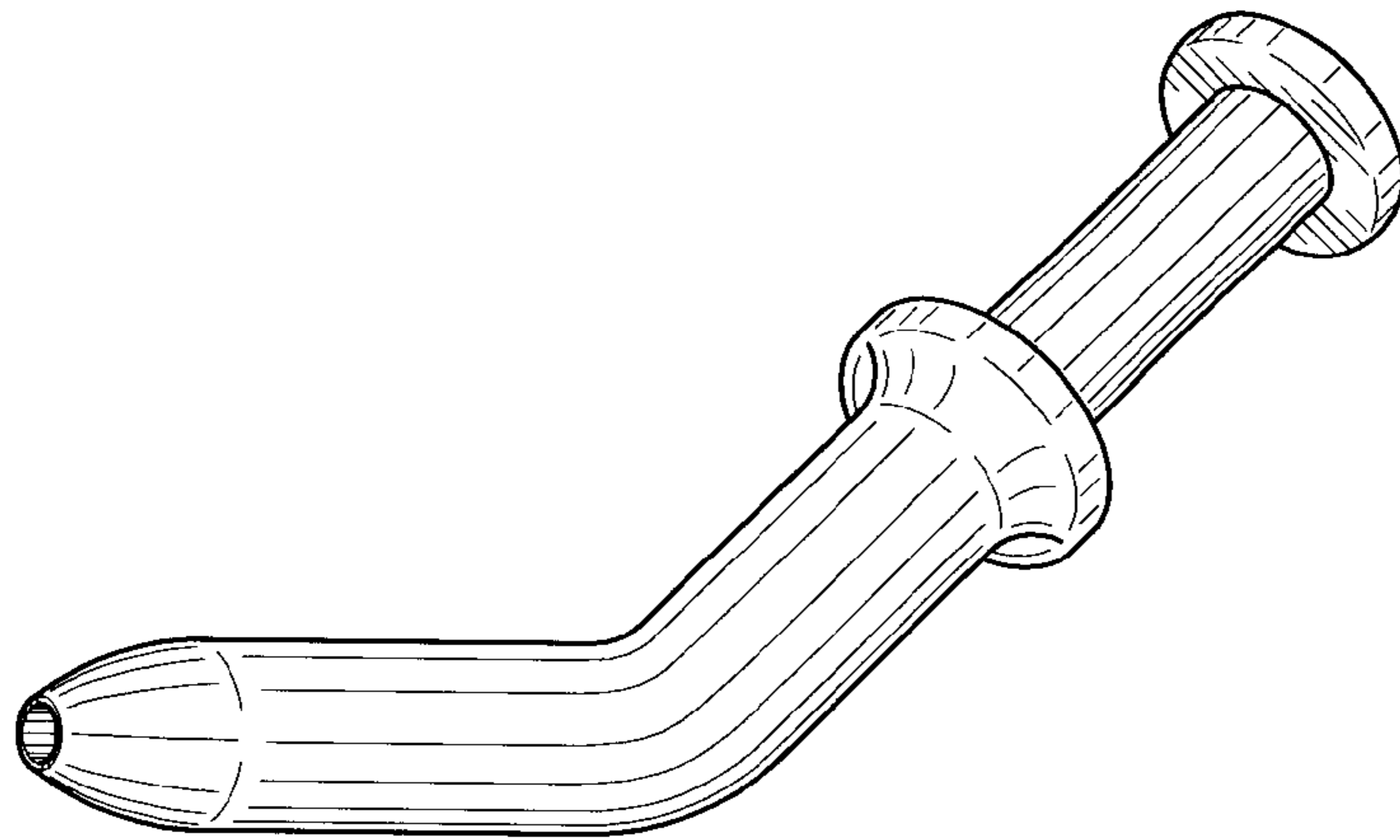


Fig.1

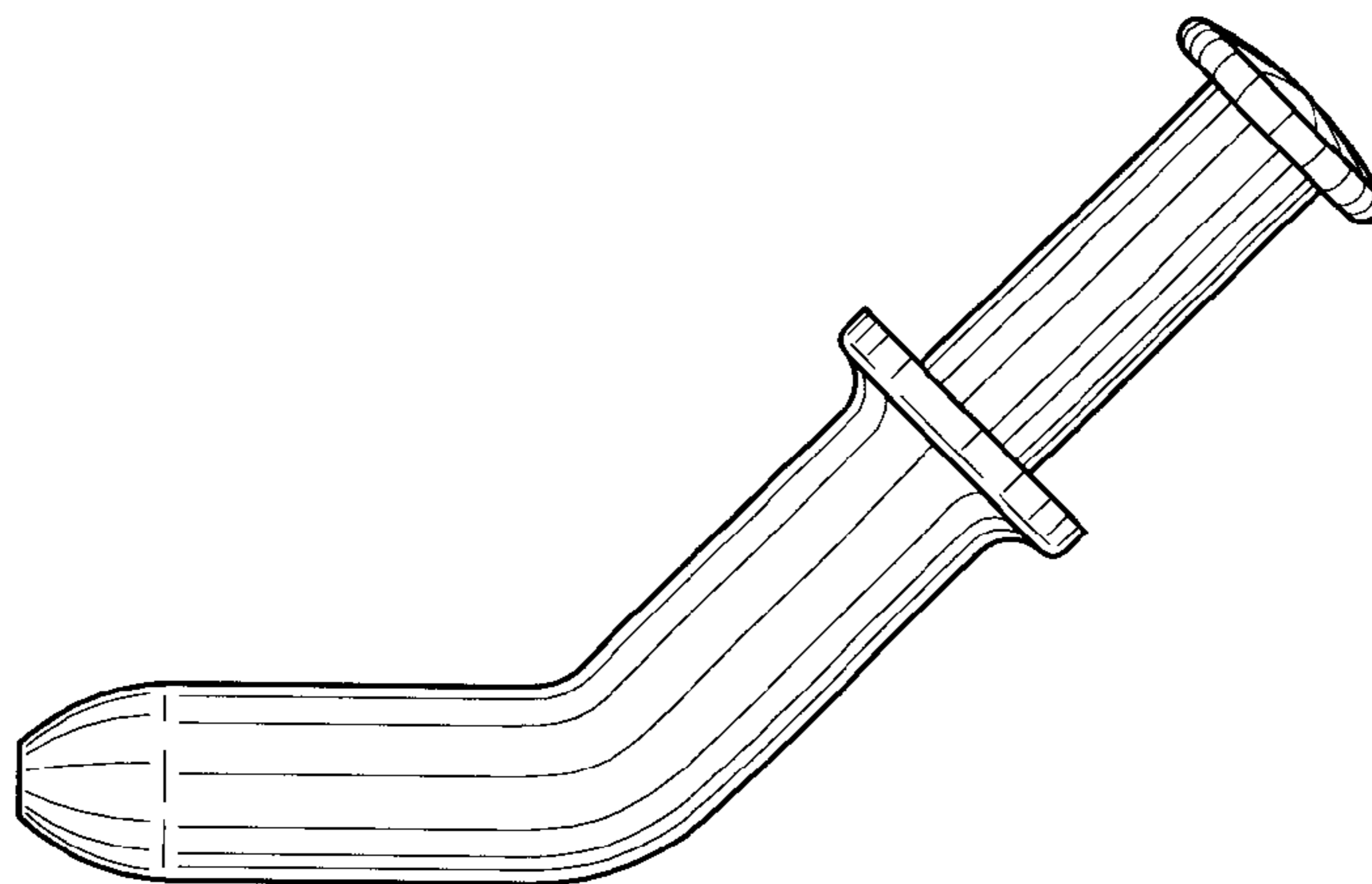


Fig.2

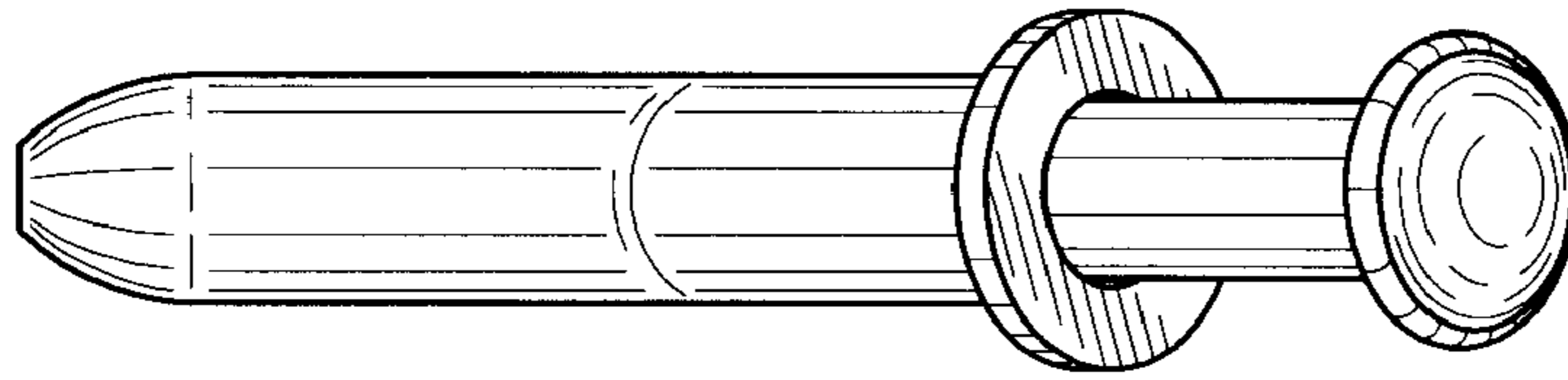


Fig.3

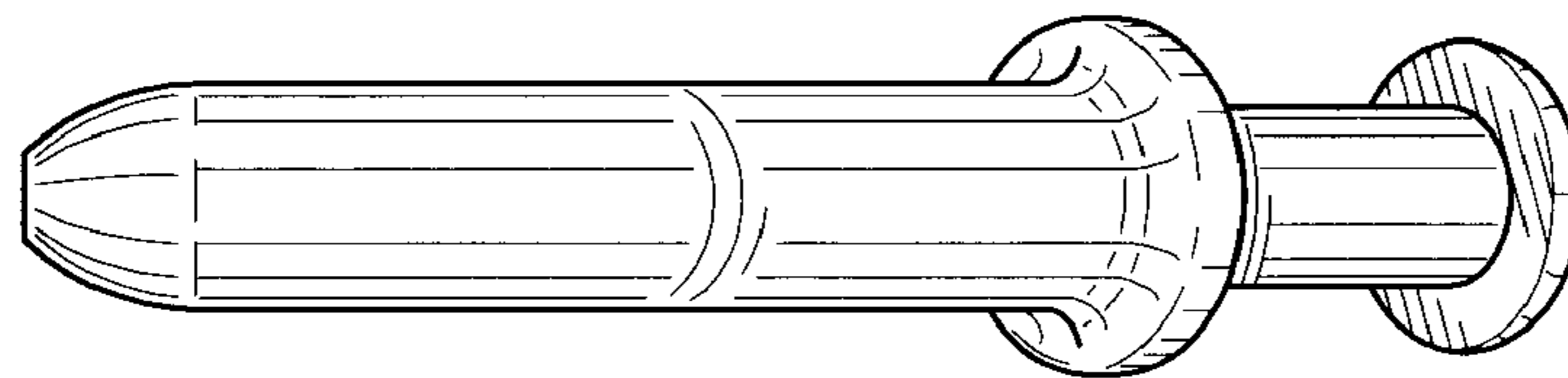


Fig.4

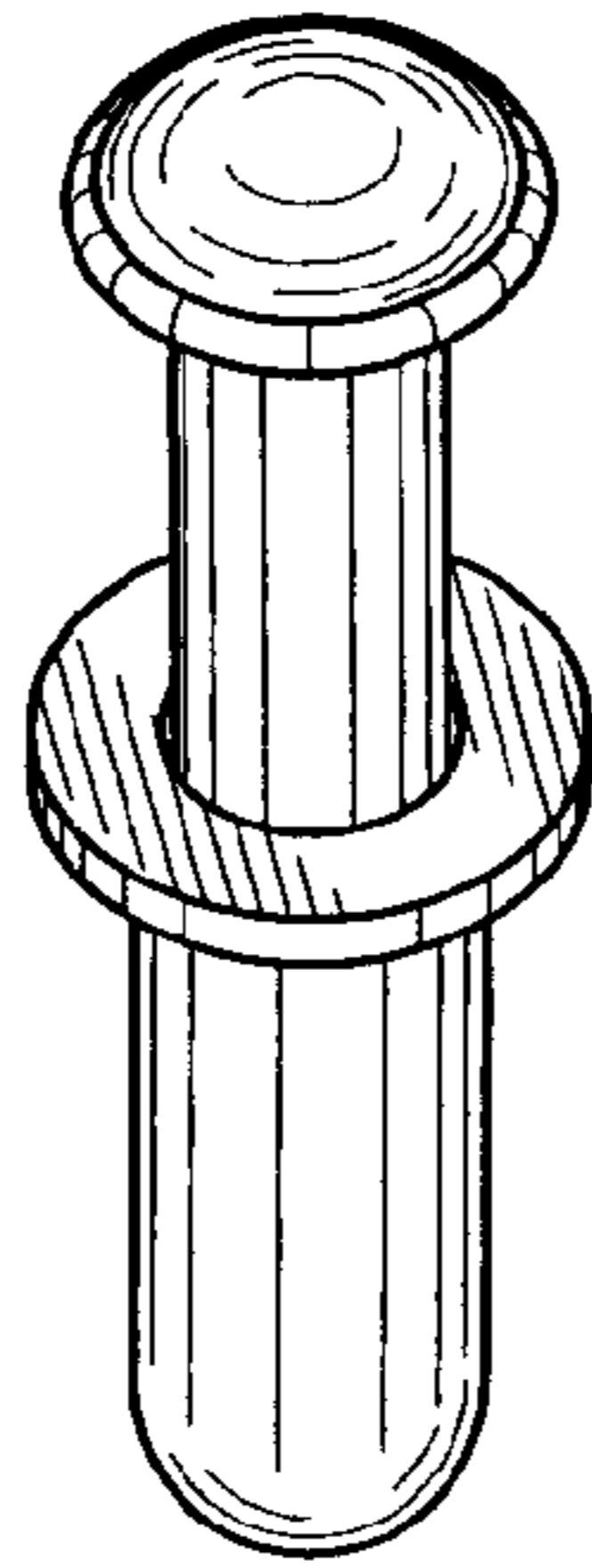


Fig.5

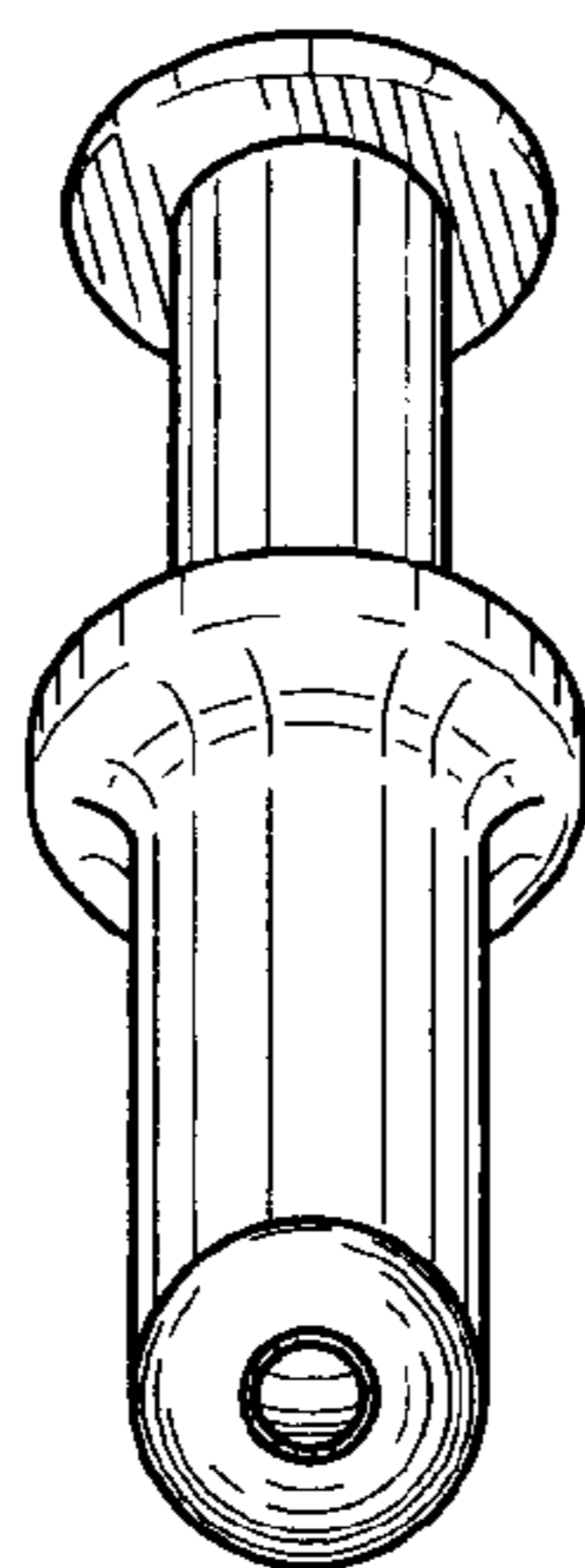


Fig.6

UNITED STATES PATENT AND TRADEMARK OFFICE
CERTIFICATE OF CORRECTION

PATENT NO. : Des. 515,208 S
APPLICATION NO. : 29/211765
DATED : February 14, 2006
INVENTOR(S) : Junichi Tarumi

Page 1 of 1

It is certified that error appears in the above-identified patent and that said Letters Patent is hereby corrected as shown below:

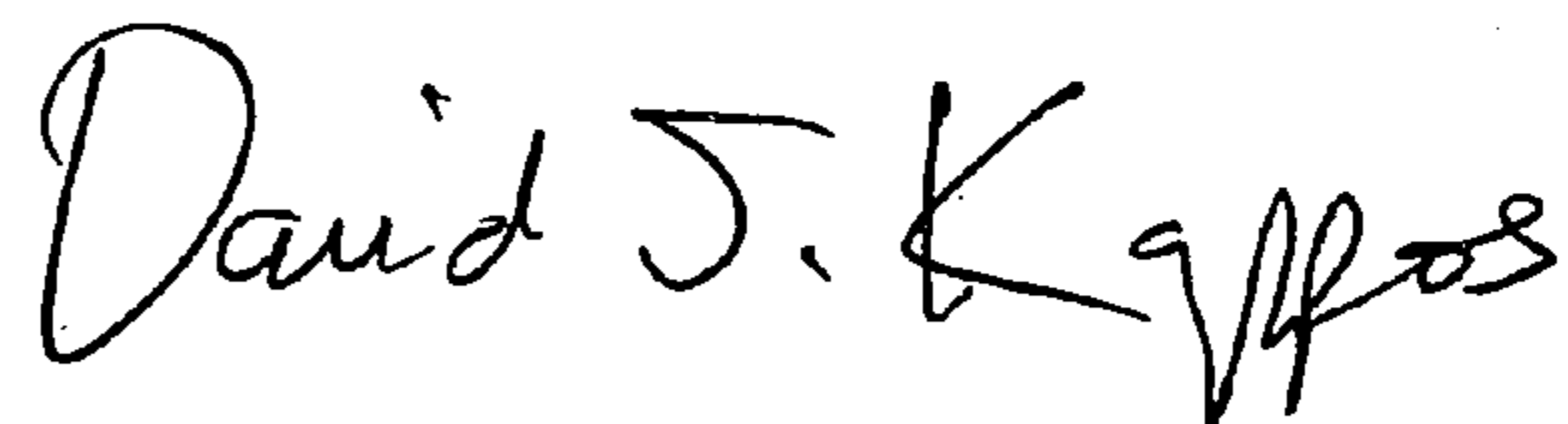
Title page,

Item (30) Foreign Application Priority Data:

Add --Feb. 20, 2004 (JP) 2004-004456--

Signed and Sealed this

Sixteenth Day of November, 2010



David J. Kappos
Director of the United States Patent and Trademark Office