

US00D515205S

(12) **United States Design Patent**
Fathalla et al.

(10) **Patent No.:** **US D515,205 S**
(45) **Date of Patent:** **** Feb. 14, 2006**

(54) **PUMP**

(75) Inventors: **Marwan A. Fathalla**, Mundelein, IL (US); **John S. Ziegler**, Arlington Heights, IL (US); **William C. Lindeman**, Marshall, WI (US); **Ami Marie Verhalen**, Sun Prairie, WI (US); **Kent B. Chase**, Madison, WI (US)

(73) Assignee: **Hospira, Inc.**, Lake Forest, IL (US)

(**) Term: **14 Years**

(21) Appl. No.: **29/201,365**

(22) Filed: **Mar. 15, 2004**

Related U.S. Application Data

(63) Continuation of application No. 29/190,630, filed on Sep. 24, 2003, now abandoned, which is a continuation of application No. 29/190,382, filed on Sep. 19, 2003, now abandoned.

(51) **LOC (8) Cl.** **24-01**

(52) **U.S. Cl.** **D24/111**

(58) **Field of Classification Search** D24/111;
D15/7, 9; 128/DIG. 13, DIG. 12; 604/131,
604/151, 66, 67, 65, 153, 138, 152, 35, 30
See application file for complete search history.

(56) **References Cited**

U.S. PATENT DOCUMENTS

4,696,671 A	9/1987	Epstein et al.	
4,756,706 A	7/1988	Kerns et al.	
D305,060 S	* 12/1989	Bisha' et al.	D24/111
D348,101 S	6/1994	Poli et al.	
D353,667 S	* 12/1994	Tsubota et al.	D24/111
5,382,232 A	1/1995	Hague et al.	
D355,716 S	* 2/1995	Nash et al.	D24/111

5,431,627 A	7/1995	Pastrone et al.	
D367,528 S	2/1996	Marston et al.	
D390,654 S	* 2/1998	Alsberg et al.	D24/111
5,713,856 A	2/1998	Eggers et al.	
5,782,805 A	* 7/1998	Meinzer et al.	604/151
5,895,371 A	4/1999	Levitas et al.	
5,941,846 A	8/1999	Duffy et al.	

FOREIGN PATENT DOCUMENTS

EP	0477551	1/1995
EP	0960627	12/1999

* cited by examiner

Primary Examiner—Ian Simmons

(74) *Attorney, Agent, or Firm*—Michael R. Crabb

(57) **CLAIM**

The ornamental design for a pump, as shown and described.

DESCRIPTION

FIG. 1 is a top, front perspective view of a pump, showing our new design;

FIG. 2 is a bottom, rear perspective view of the pump of FIG. 1;

FIG. 3 is a top plan view of the pump of FIG. 1;

FIG. 4 is a front elevational view of the pump of FIG. 1;

FIG. 5 is a left end elevational view of the pump of FIG. 1;

FIG. 6 is a rear elevational view of the pump of FIG. 1;

FIG. 7 is a right end elevational view of the pump of FIG. 1;

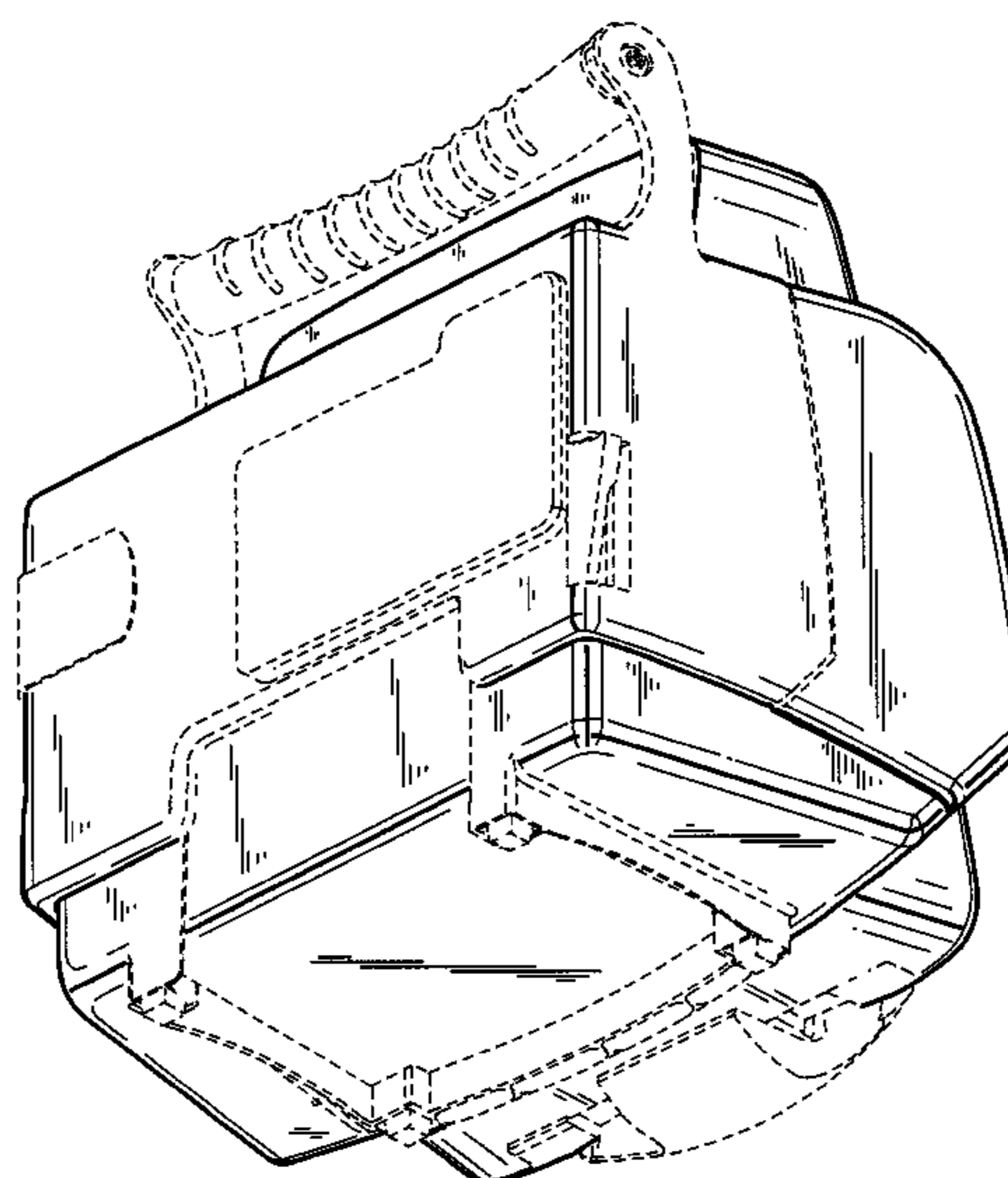
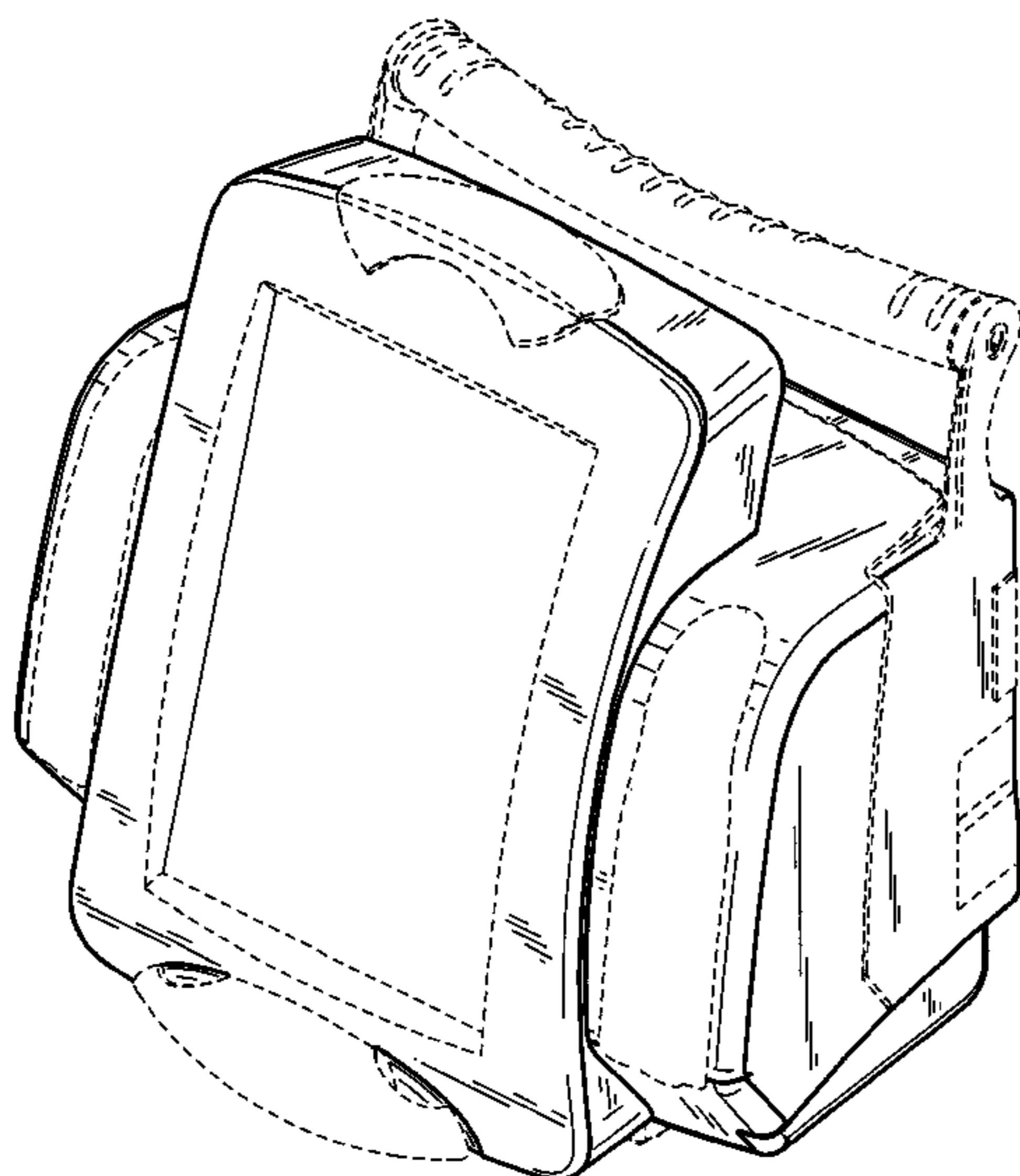
FIG. 8 is a bottom plan view of the pump of FIG. 1;

FIG. 9 is a top back perspective view of the pump of FIG. 1; and,

FIG. 10 is a bottom front perspective view of the pump of FIG. 1.

The broken line showing is for illustrative purposes only and forms no part of the claimed design.

1 Claim, 10 Drawing Sheets



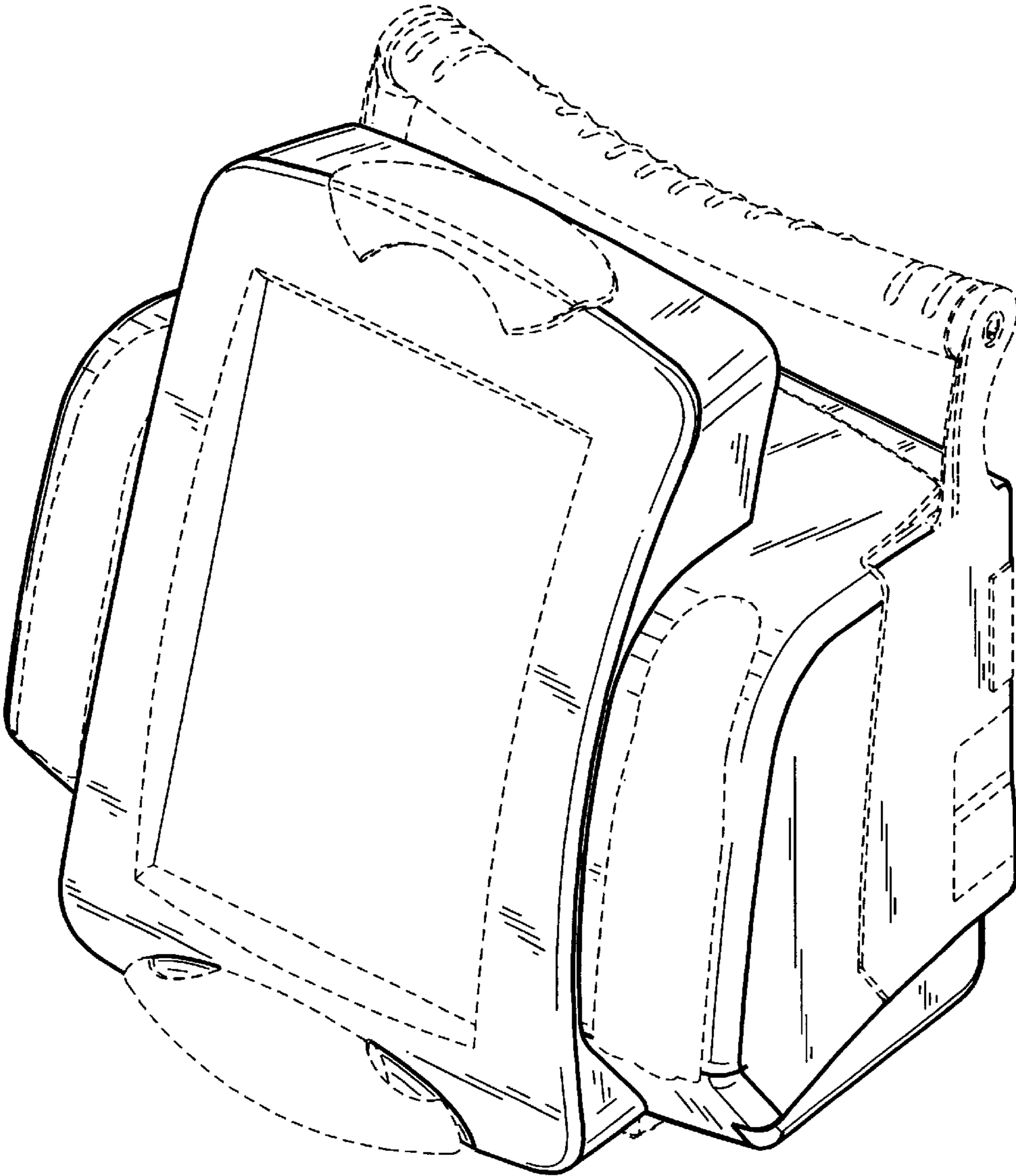


FIG. 1

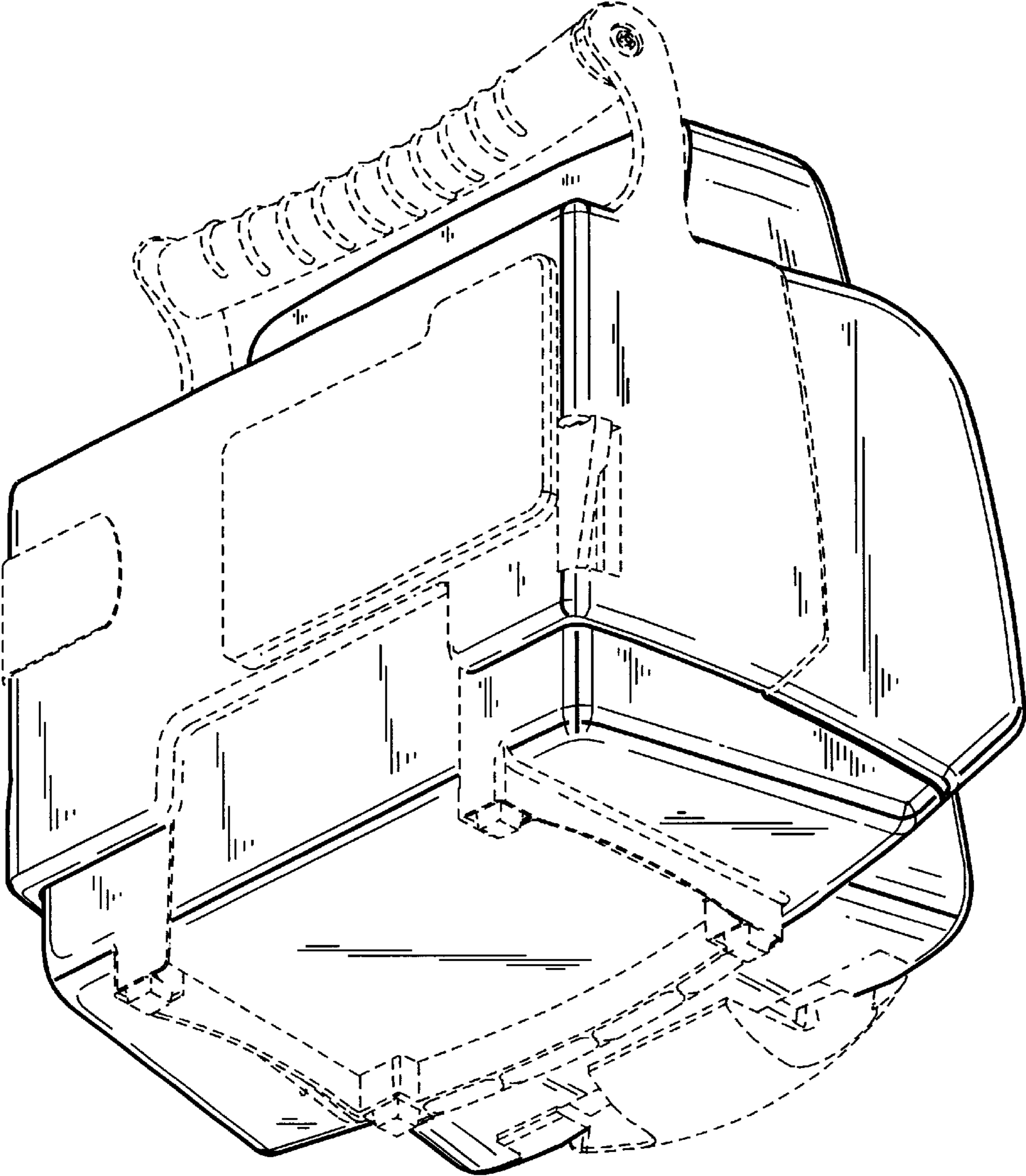


FIG. 2

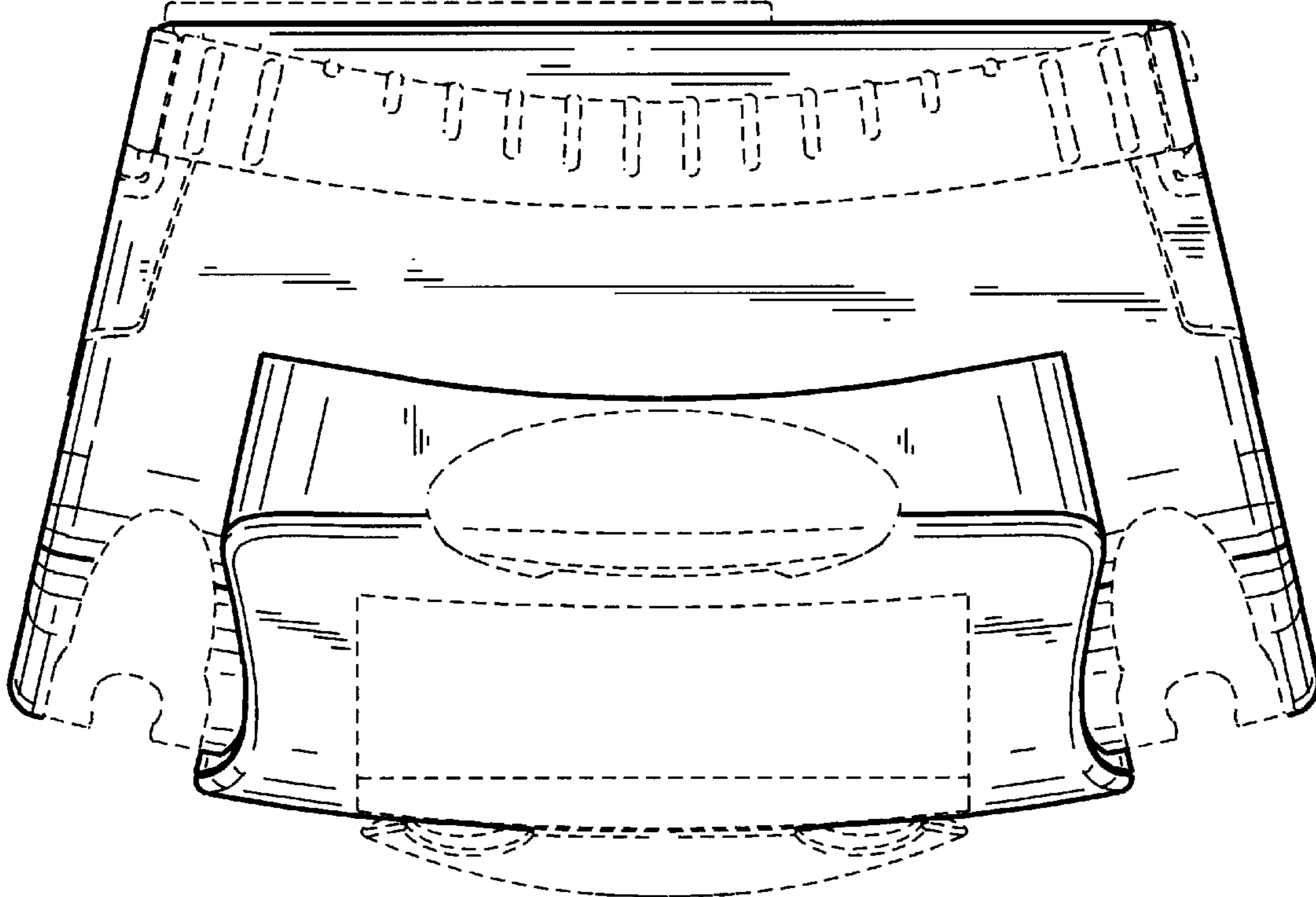


FIG. 3

FIG. 4

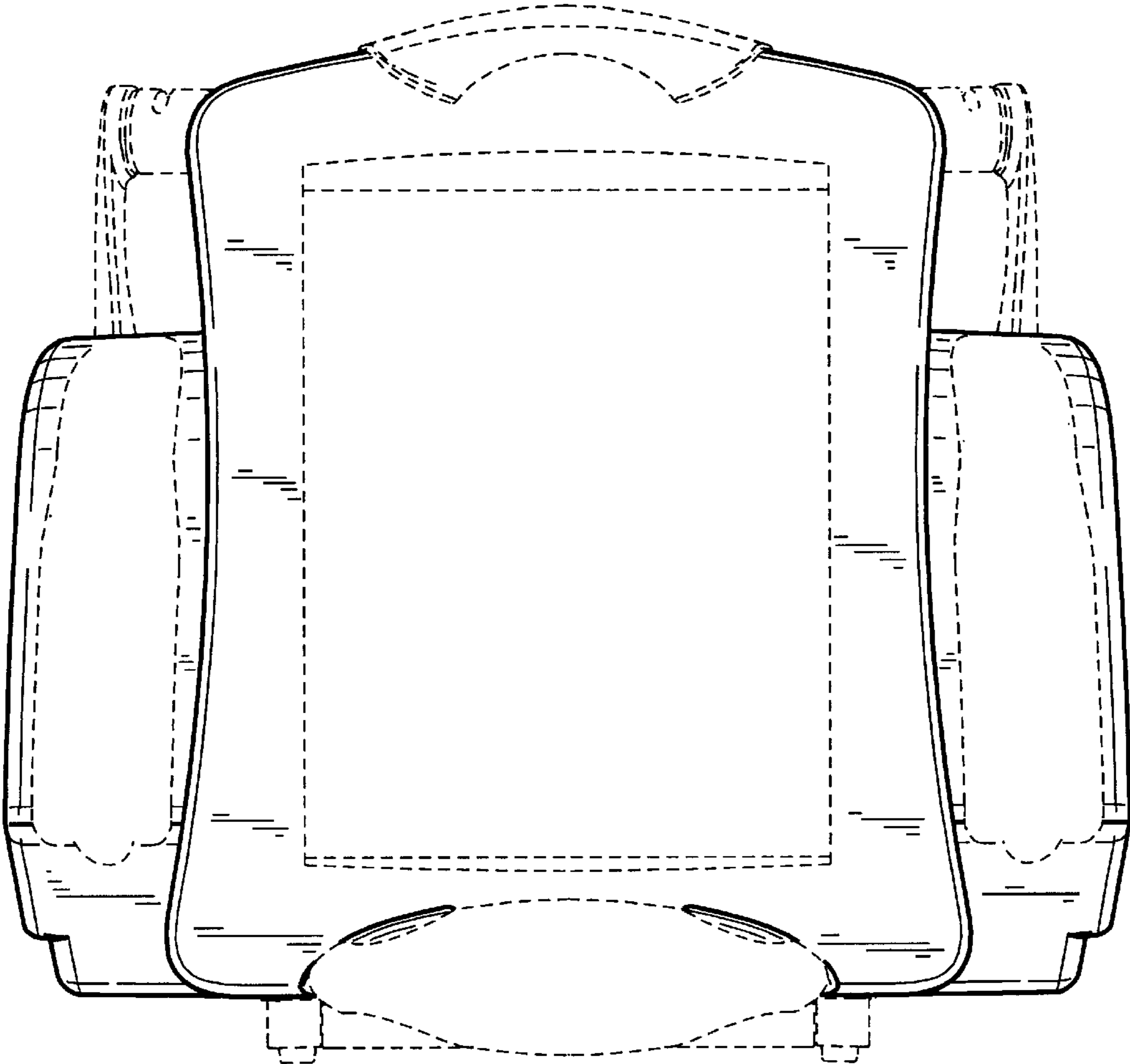


FIG. 5

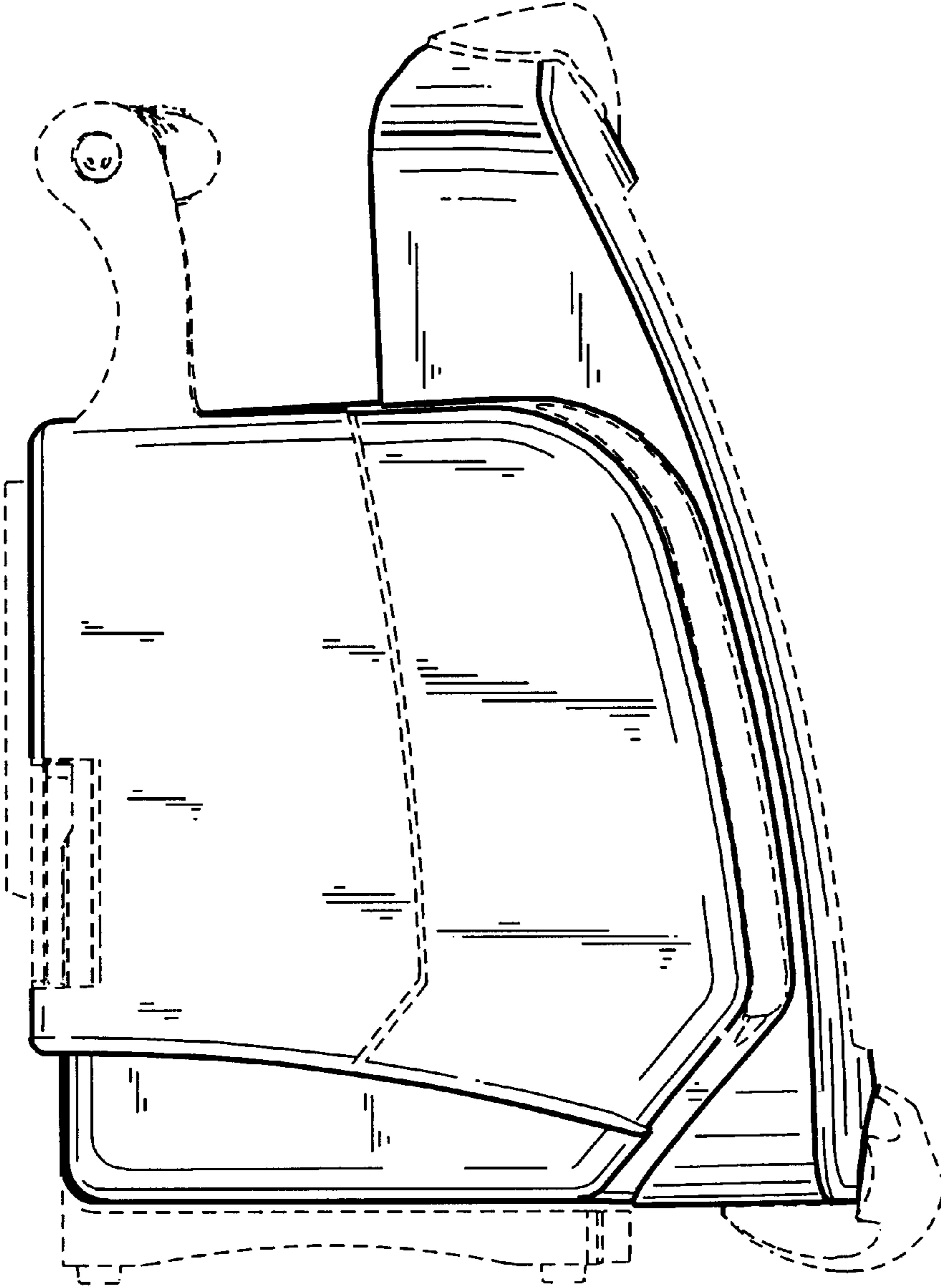


FIG. 6

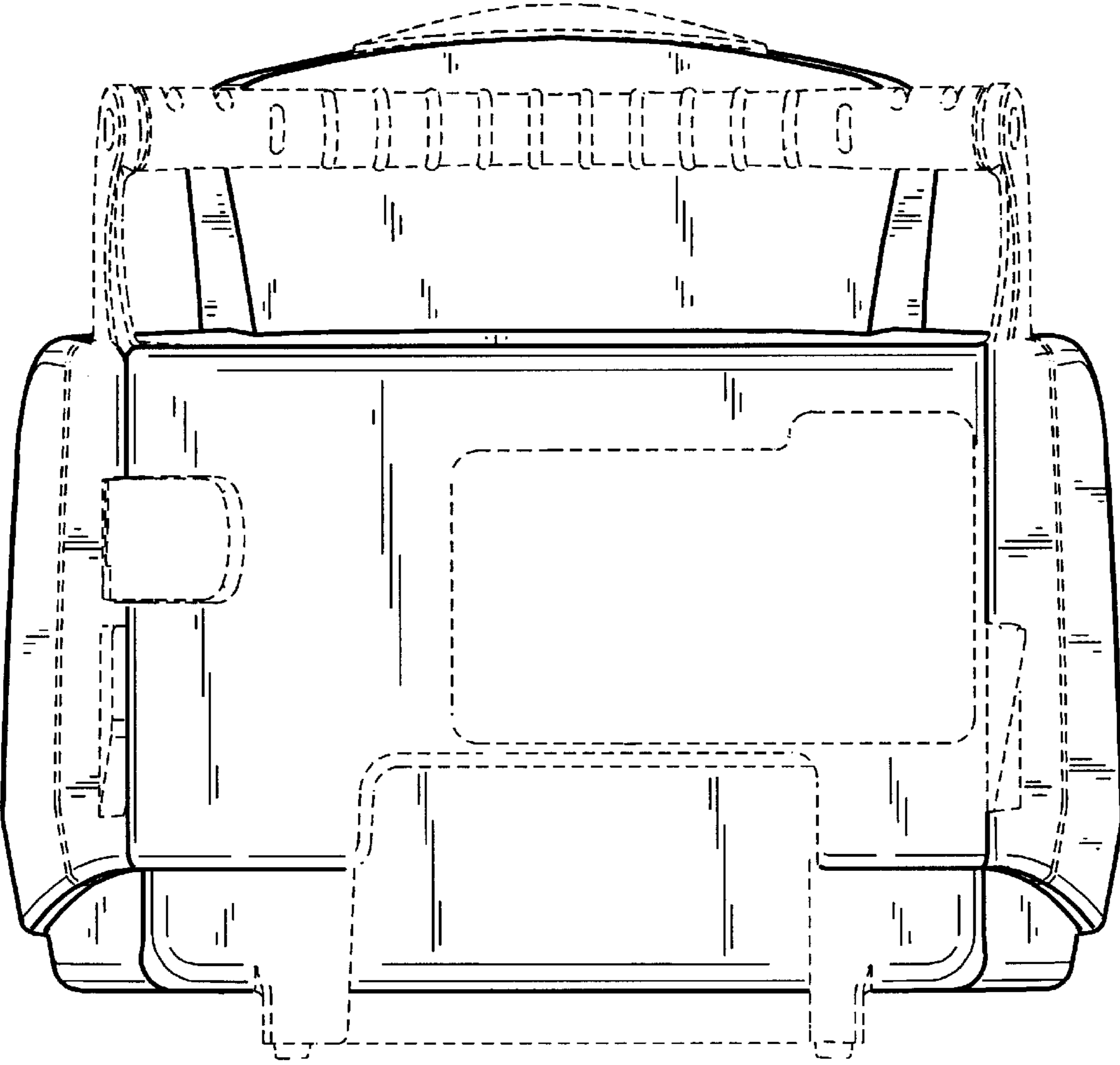
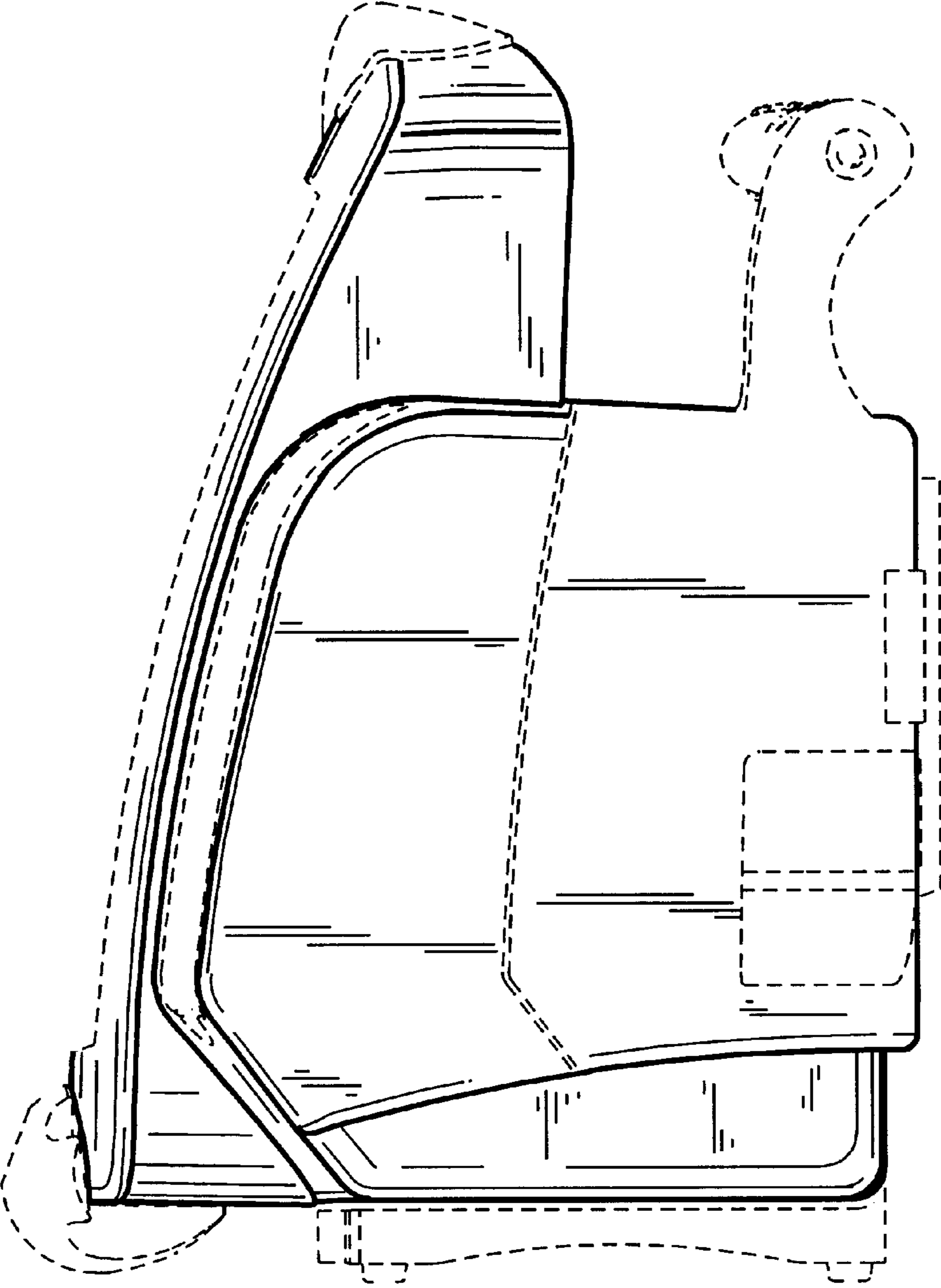


FIG. 7



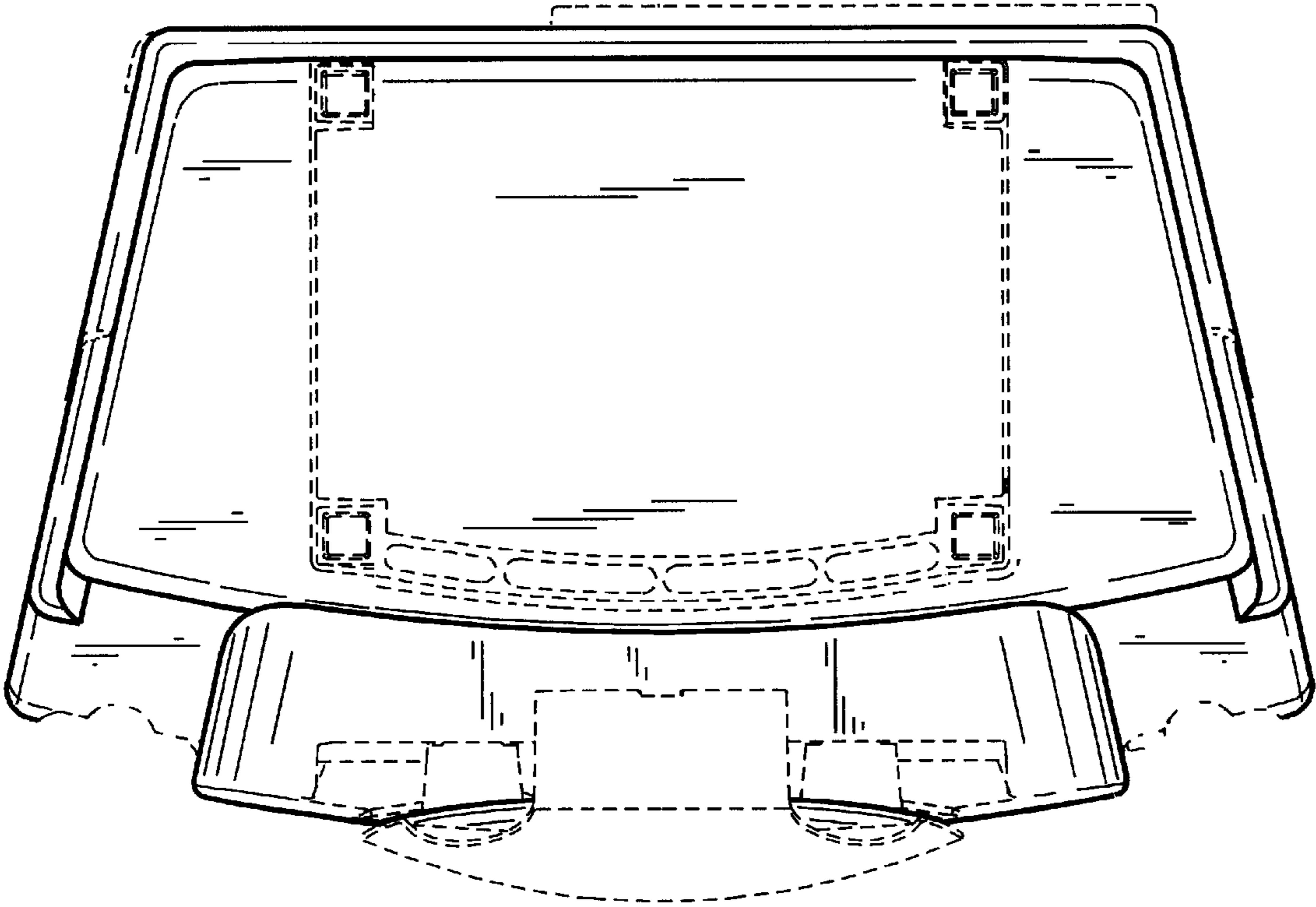


FIG. 8

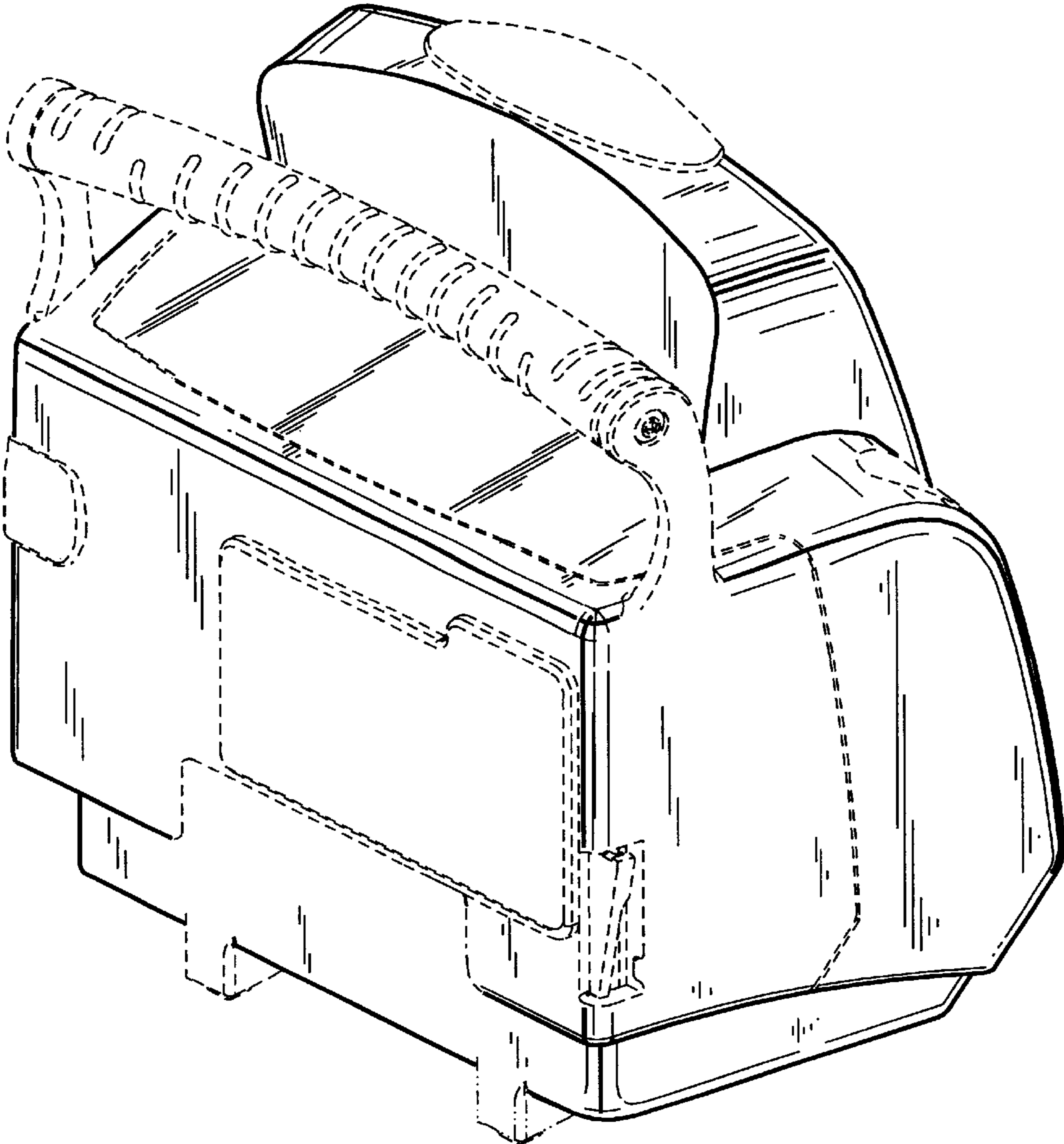


FIG. 9

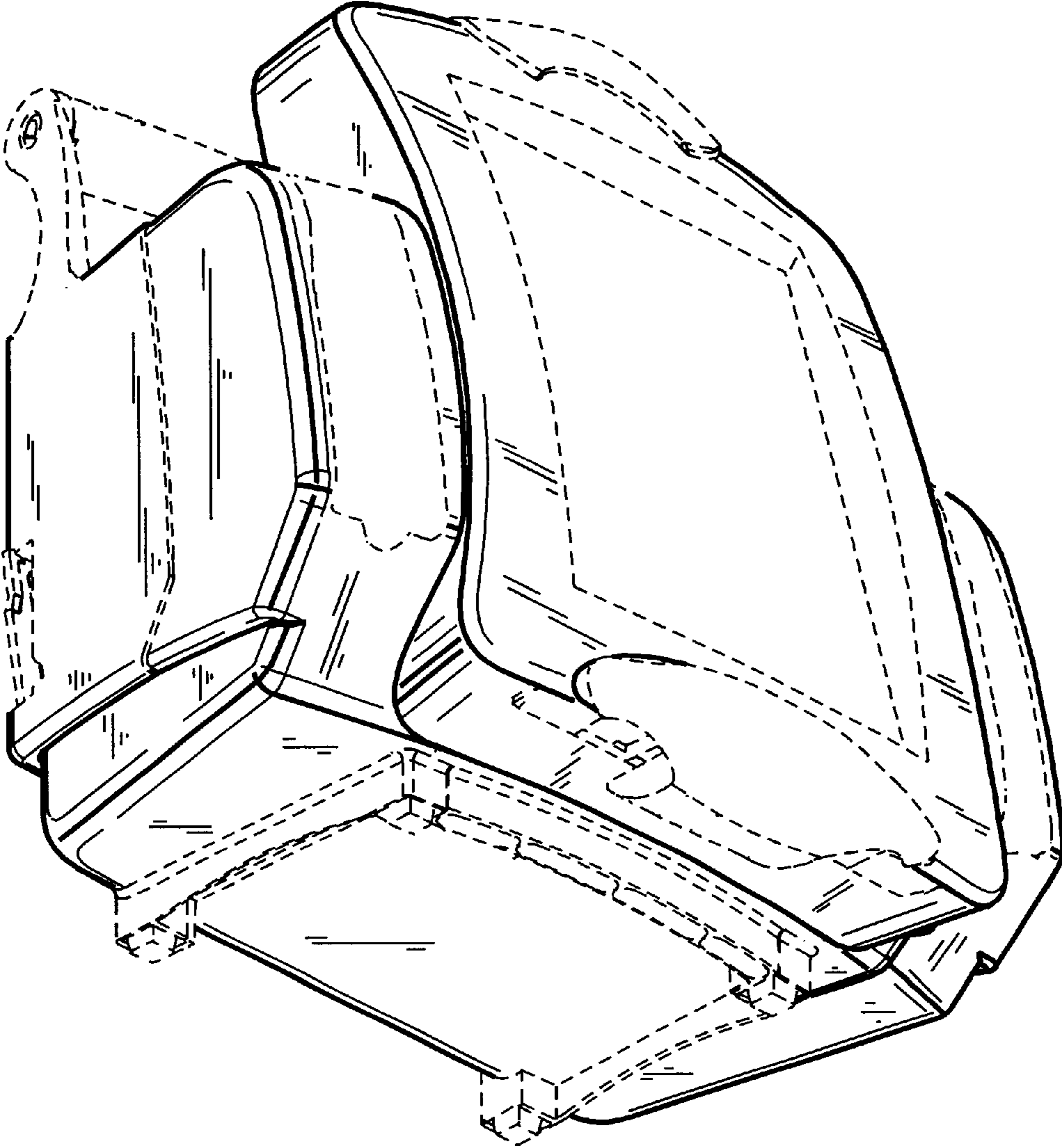


FIG. 10