



US00D515203S

(12) **United States Design Patent**
Huxham et al.

(10) **Patent No.:** **US D515,203 S**
(45) **Date of Patent:** **** Feb. 14, 2006**

(54) **INHALATION DEVICE**

(75) Inventors: **Laurence Huxham**, Loughborough (GB); **Darren Hodson**, Loughborough (GB); **William Treneman**, Dry Drayton (GB); **Nick Harrison**, Oakington (GB); **Martin Bunce**, Marlborough (GB); **William Davis**, Marlborough (GB)

(73) Assignee: **AstraZeneca AB**, Sodertalje (SE)

(**) Term: **14 Years**

(21) Appl. No.: **29/204,731**

(22) Filed: **May 3, 2004**

(51) **LOC (8) Cl.** **29-02**

(52) **U.S. Cl.** **D24/110**

(58) **Field of Classification Search** D24/110;
128/200.23, 200.22, 203.15, 200.14, 203.12,
128/200.21, 205.23

See application file for complete search history.

(56) **References Cited**

U.S. PATENT DOCUMENTS

5,899,200 A * 5/1999 McNary 128/200.14
6,155,251 A * 12/2000 Hauser 128/200.23

6,234,168 B1 * 5/2001 Bruna 128/203.12
D473,640 S * 4/2003 Cuffaro et al. D24/110
D480,474 S * 10/2003 Bowman et al. D24/110
6,672,304 B1 * 1/2004 Casper et al. 128/200.23
6,718,972 B2 * 4/2004 O'Leary 128/203.15
6,752,145 B1 * 6/2004 Bonney et al. 128/200.23

* cited by examiner

Primary Examiner—Ian Simmons

(74) *Attorney, Agent, or Firm*—Fish & Richardson P.C.

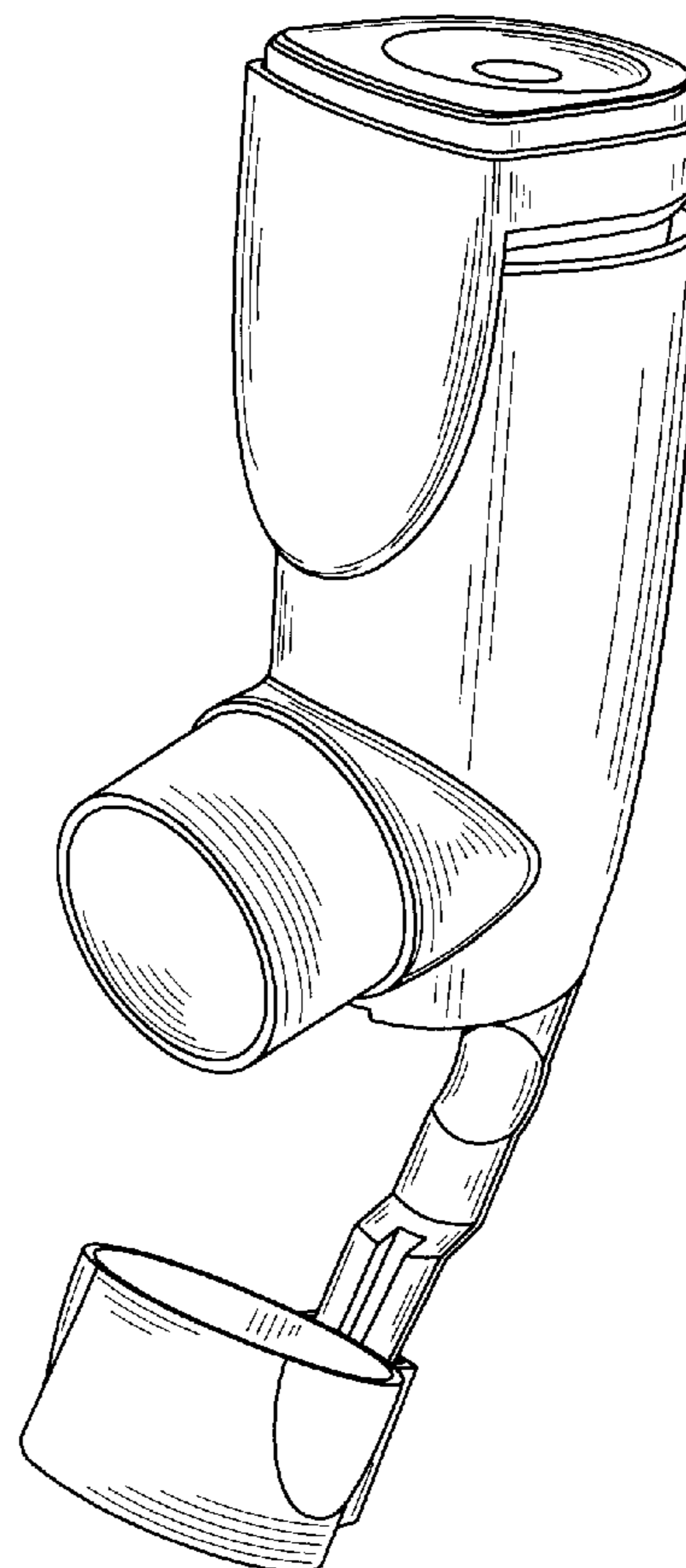
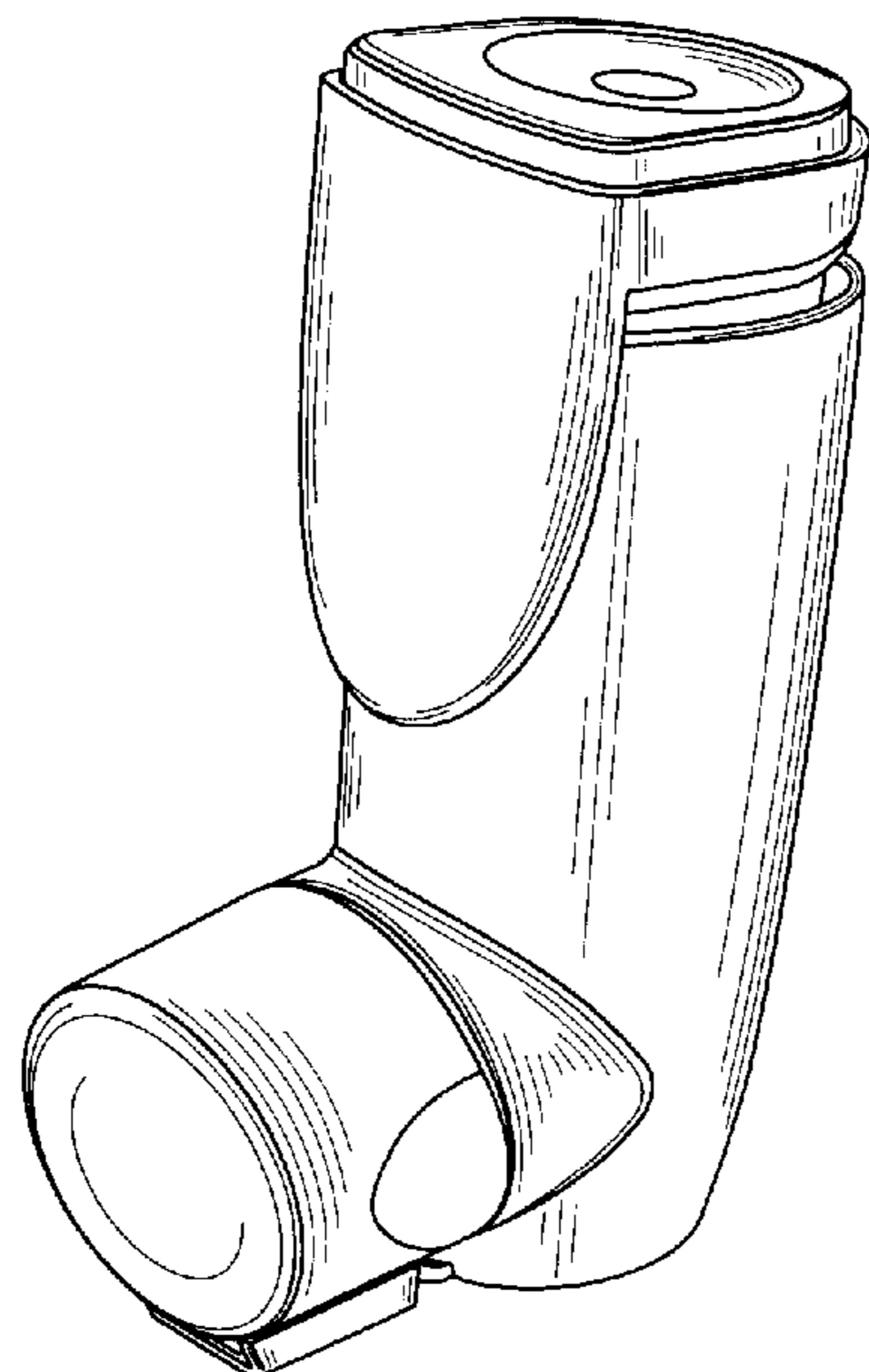
(57) **CLAIM**

The ornamental design for a inhalation device, as shown and described.

DESCRIPTION

FIG. 1 is a front perspective view from above and one side of an inhalation device showing our new design;
FIG. 2 is another front perspective view thereof, shown with the cap removed;
FIG. 3 is a left side elevational view thereof, of FIG. 1;
FIG. 4 is a right side elevational view thereof;
FIG. 5 is a front elevational view thereof;
FIG. 6 is a rear elevational view thereof;
FIG. 7 is a top plan view thereof; and,
FIG. 8 is a bottom plan view thereof.

1 Claim, 3 Drawing Sheets



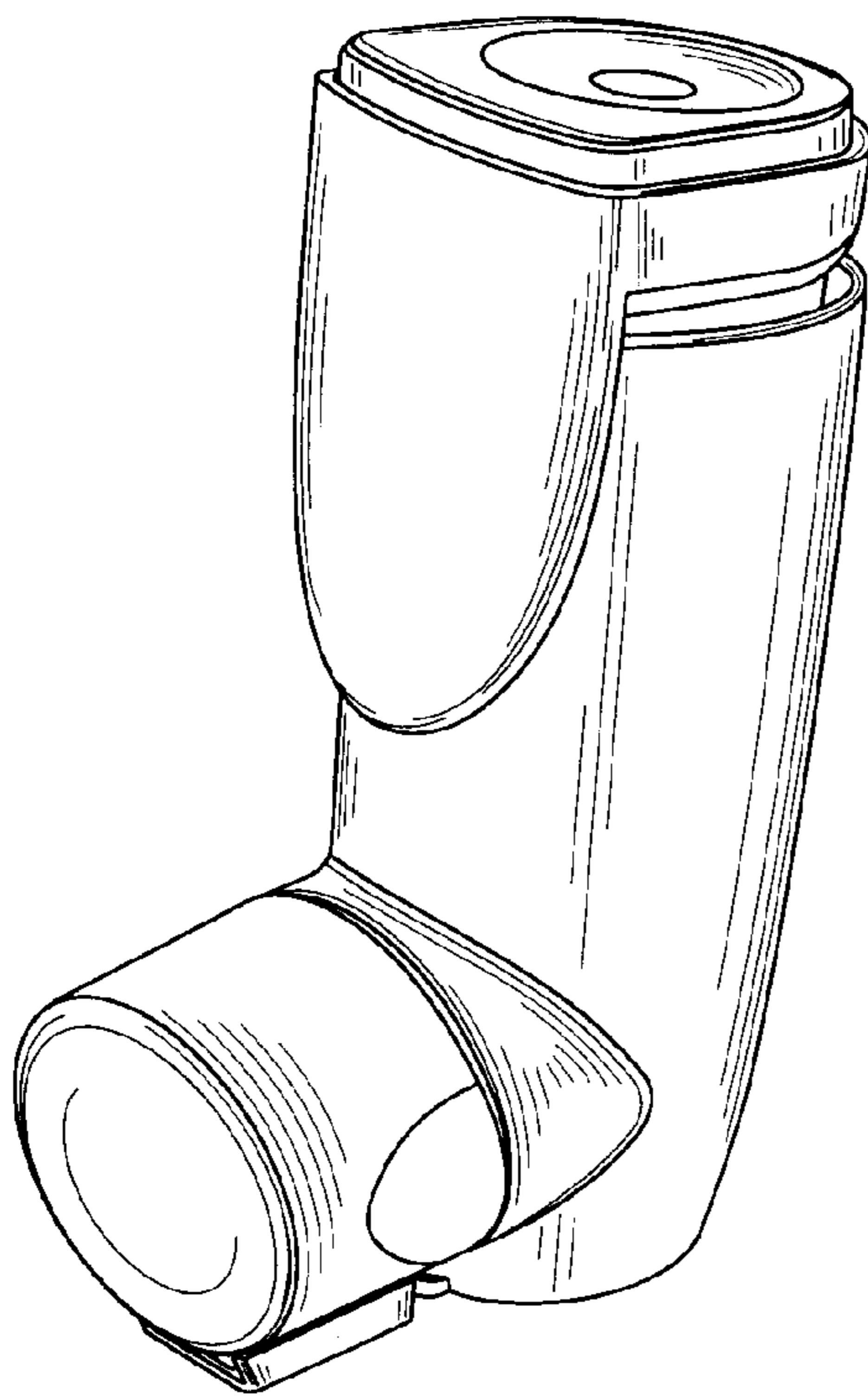


FIG. 1

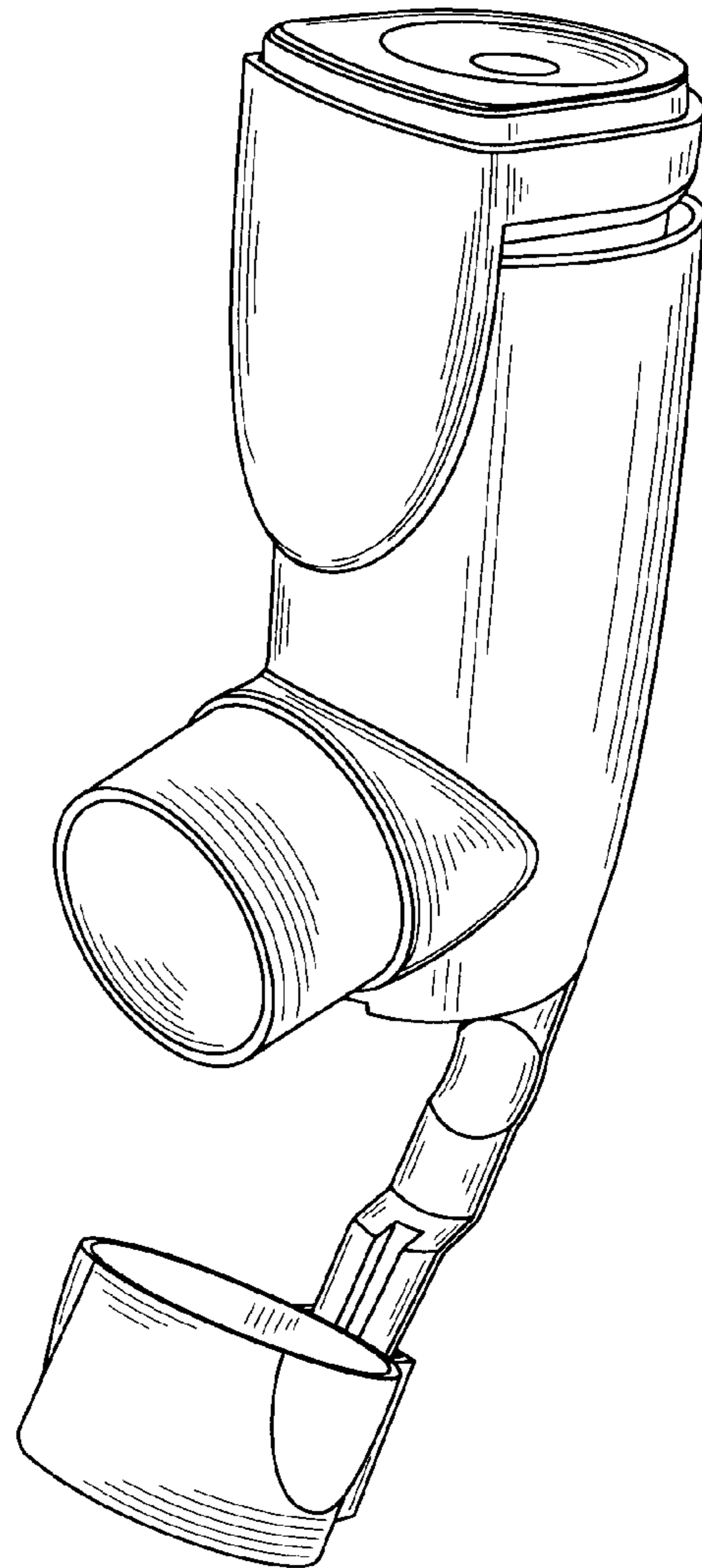


FIG. 2

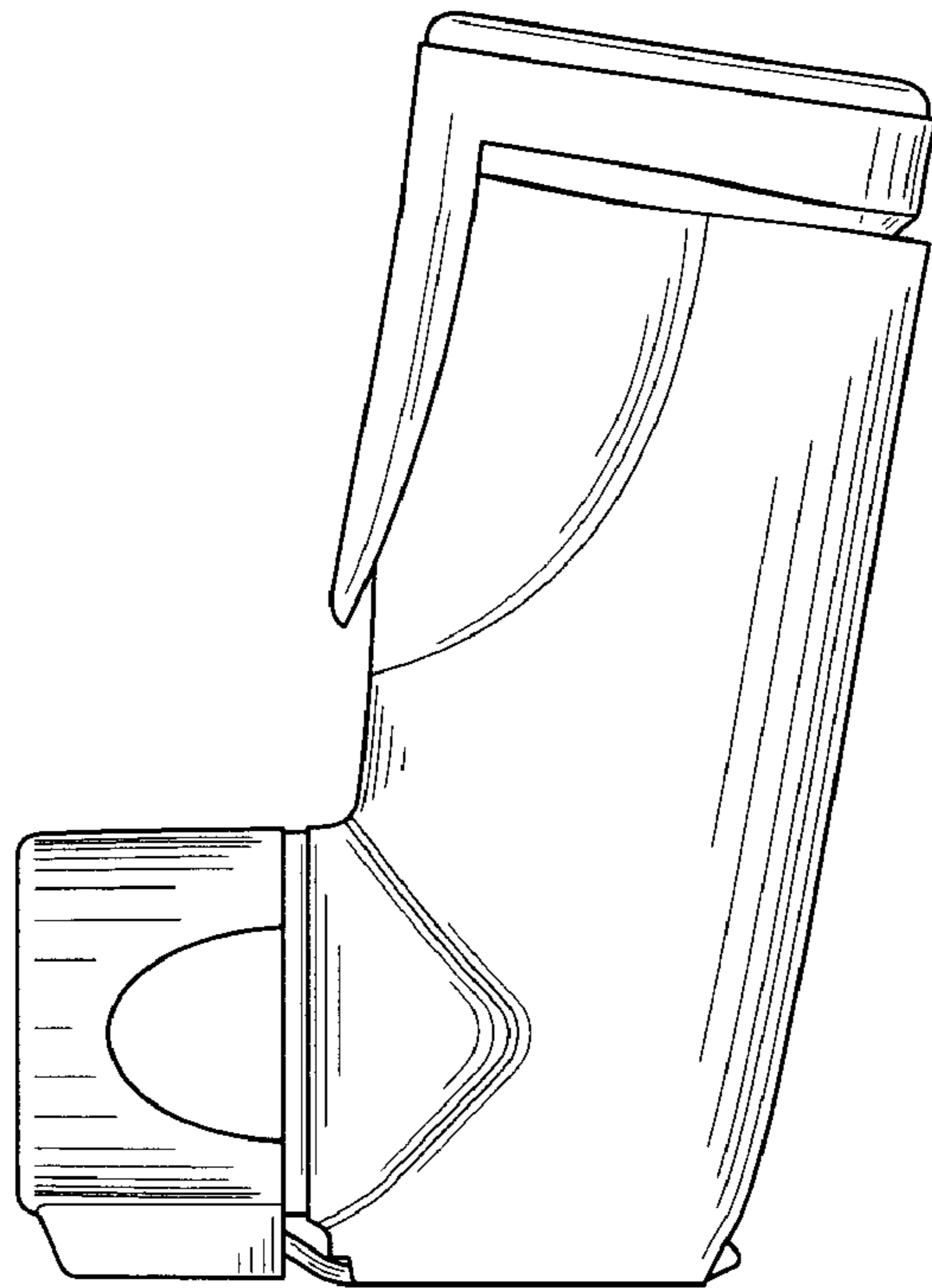


FIG. 3

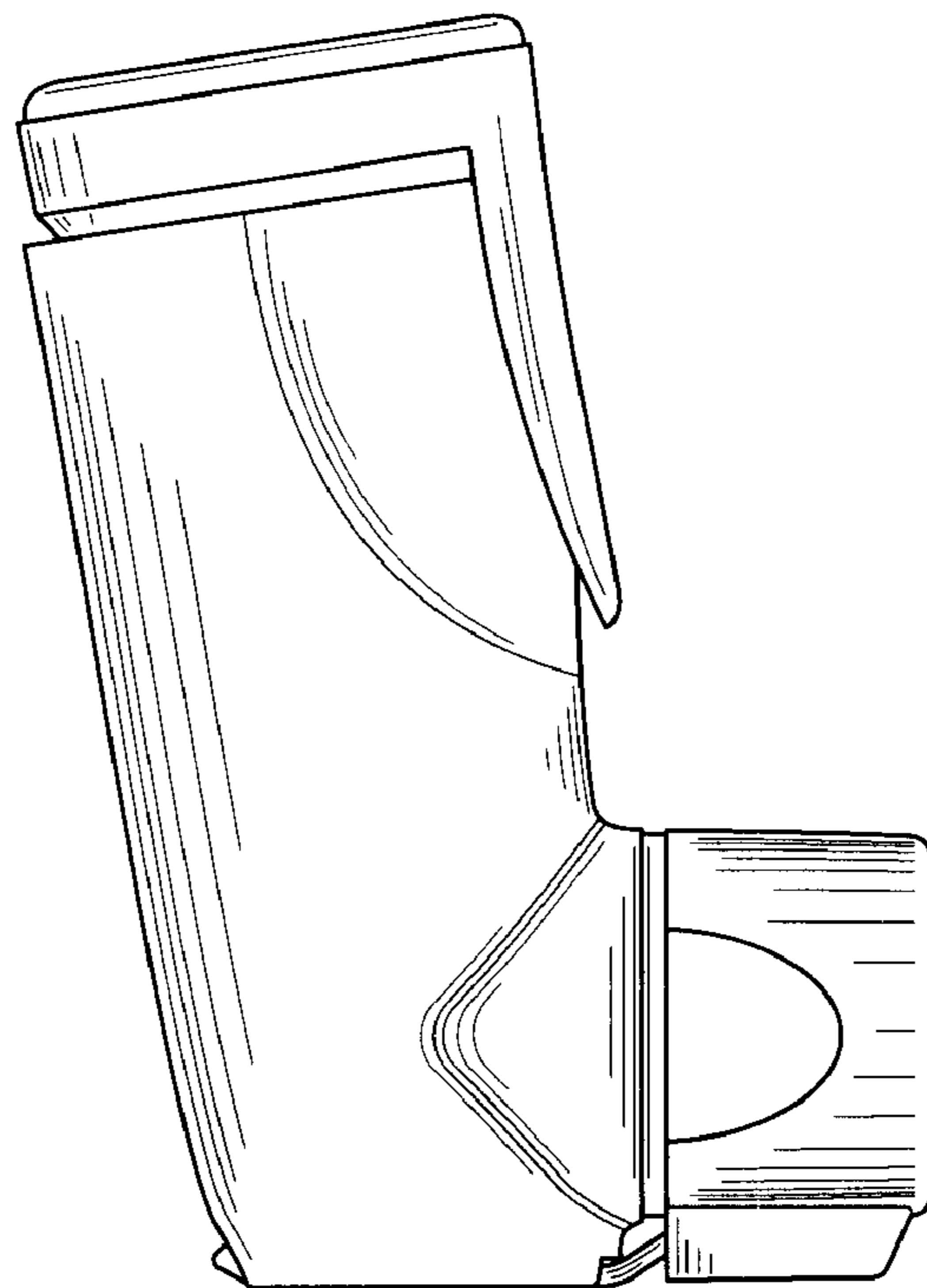


FIG. 4

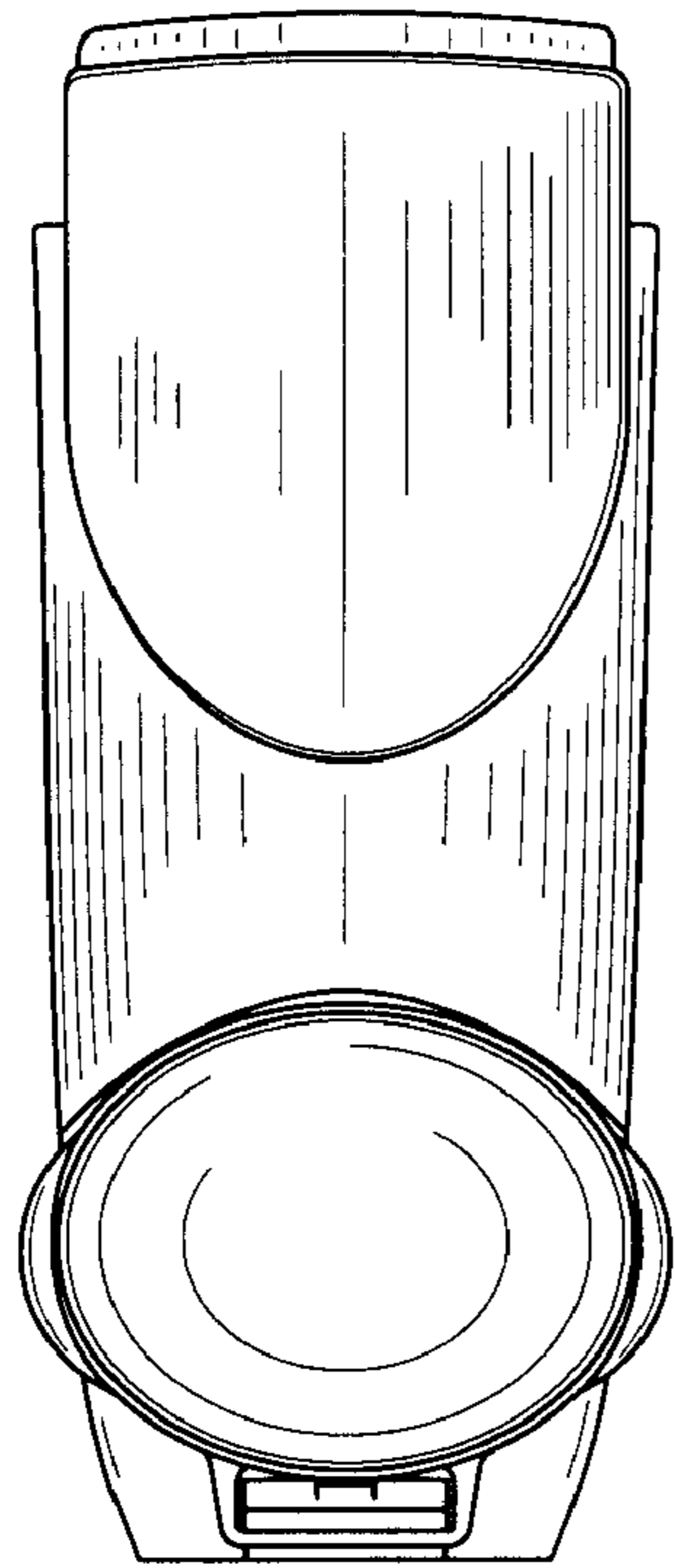


FIG. 5

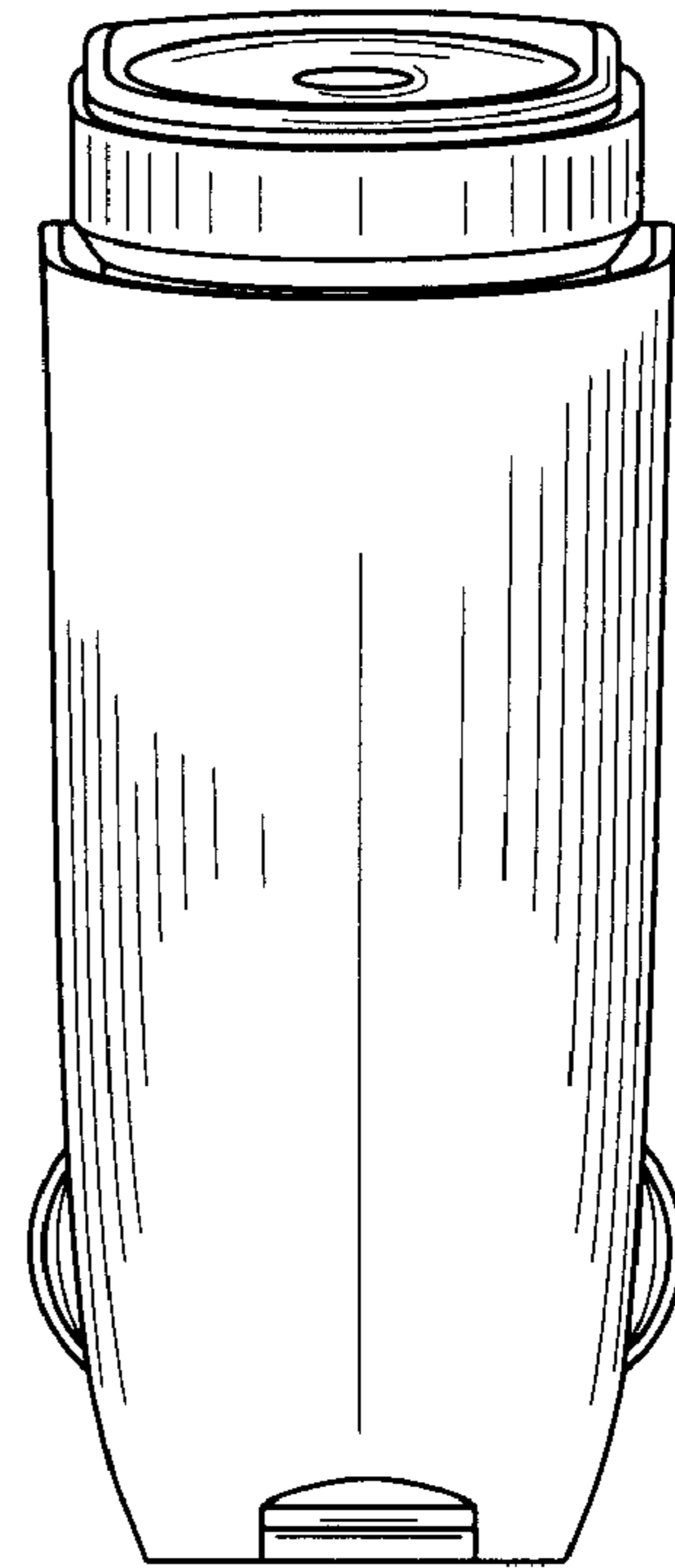


FIG. 6

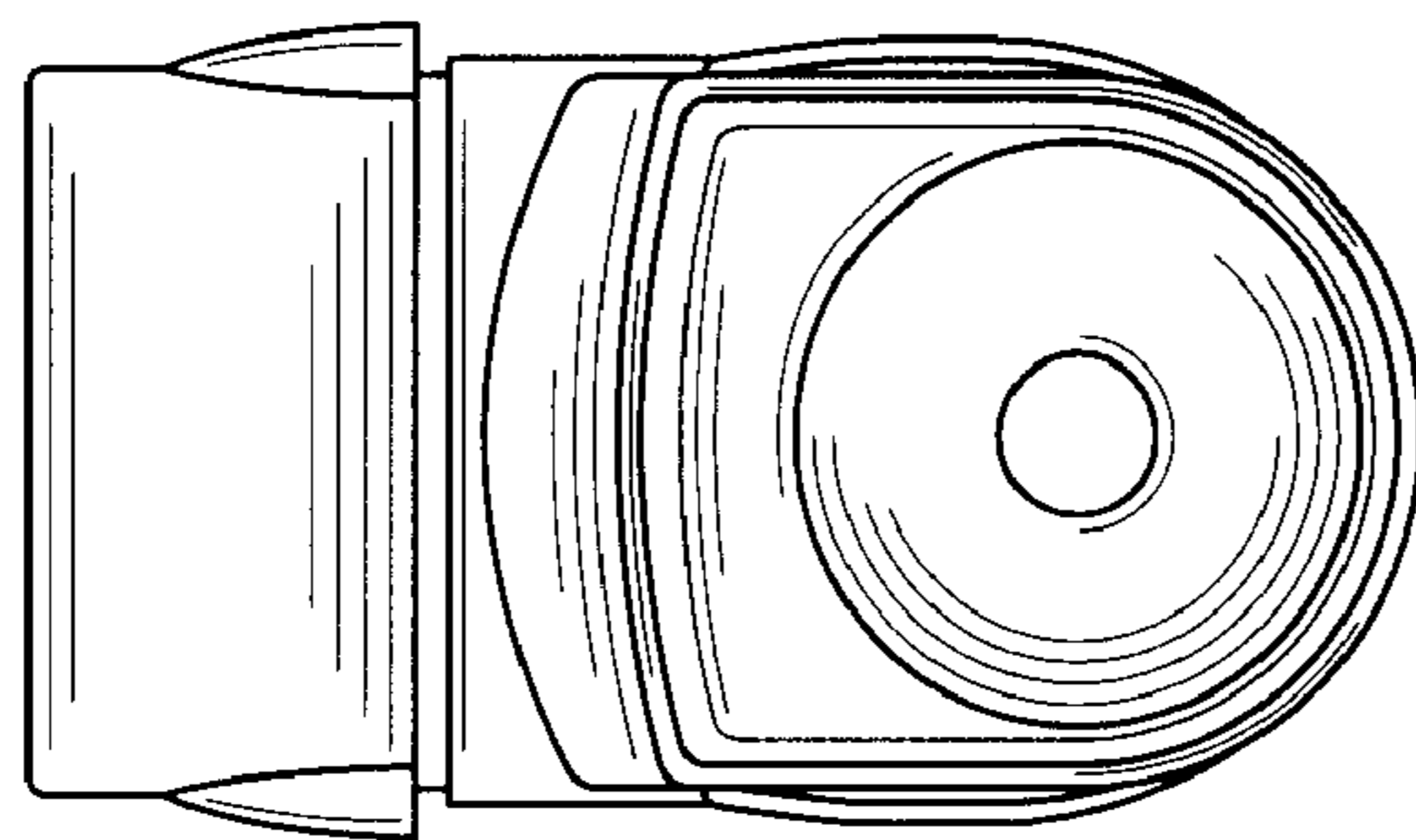


FIG. 7

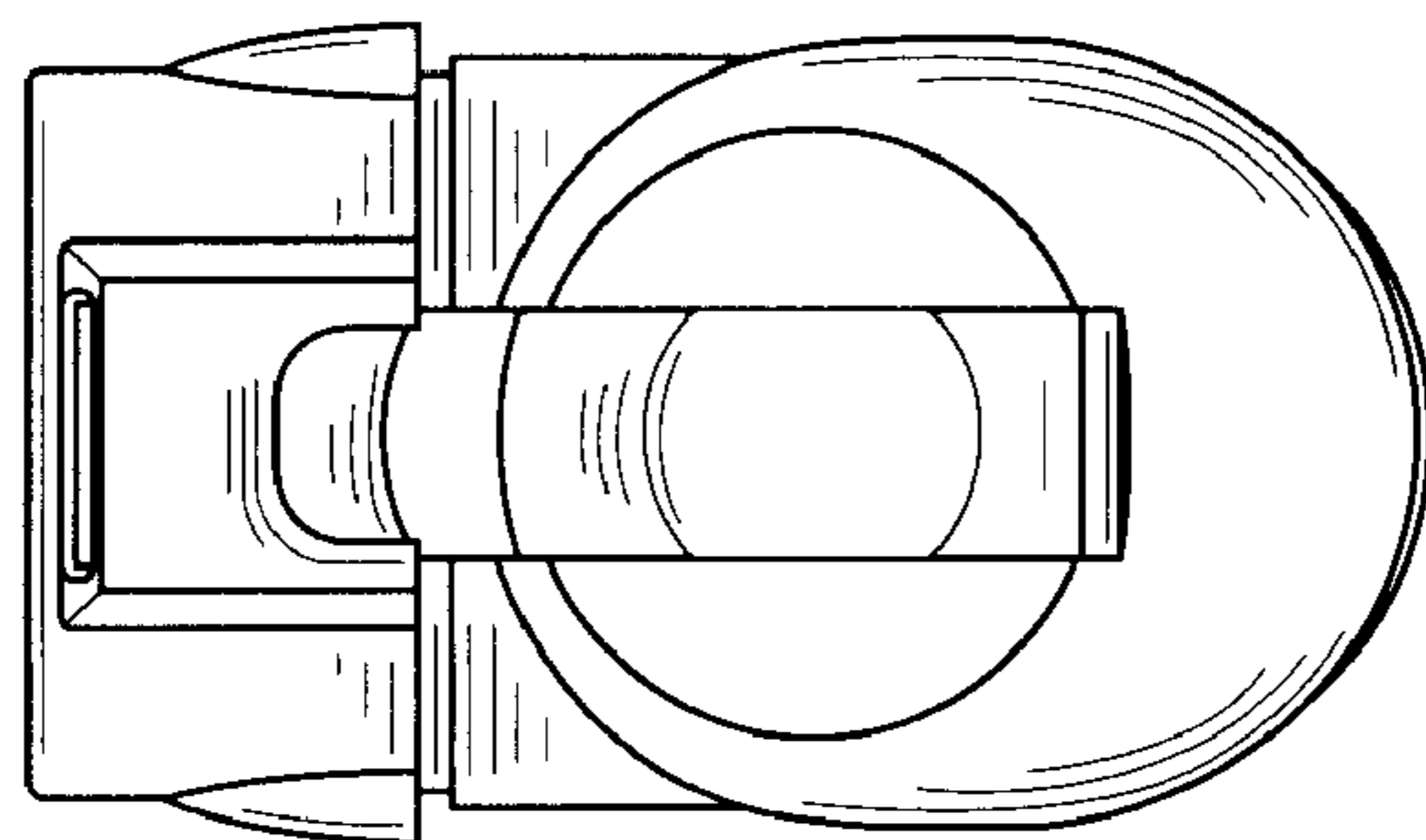


FIG. 8