

US00D515202S

(12) **United States Design Patent**
Chen et al.

(10) **Patent No.:** **US D515,202 S**

(45) **Date of Patent:** **** Feb. 14, 2006**

(54) **TABLET**

(75) **Inventors:** **Tzyy-Show H. Chen**, Princeton Junction, NJ (US); **Craig B. Ikeda**, Harleysville, PA (US)

(73) **Assignee:** **Merck & Co., Inc**, Rahway, NJ (US)

(**) **Term:** **14 Years**

(21) **Appl. No.:** **29/209,646**

(22) **Filed:** **Jul. 19, 2004**

(51) **LOC (8) Cl.** **24-01**

(52) **U.S. Cl.** **D24/102**

(58) **Field of Classification Search** D24/100-104;
D28/8.1, 8.2; D1/112, 108; D21/440; 424/732,
424/439, 451, 464, 467, 468; 426/78
See application file for complete search history.

(56) **References Cited**

U.S. PATENT DOCUMENTS

D31,133 S	*	7/1899	Lantz	D24/100
D56,478 S		10/1920	Shores		
2,687,367 A		8/1954	Burrin		
D216,307 S		12/1969	Ninger		
D258,091 S		1/1981	Reed et al.		
4,693,886 A		9/1987	Ayer		
4,713,248 A	*	12/1987	Kjornaes et al.	424/468
D301,764 S		6/1989	Contractor et al.		
D302,051 S		7/1989	Contractor et al.		
4,851,228 A		7/1989	Zentner et al.		
D304,626 S		11/1989	Contractor et al.		
D316,914 S		5/1991	Withington		

D351,464 S	*	10/1994	Kramer et al.	D24/100
D359,554 S		6/1995	Dansereau et al.		
5,424,074 A		6/1995	Koli et al.		
5,427,798 A		6/1995	Ludwig et al.		
5,512,299 A		4/1996	Place et al.		
D375,157 S		10/1996	Kramer et al.		
D379,223 S		5/1997	Kramer et al.		
D380,825 S		7/1997	Kramer et al.		
D383,535 S	*	9/1997	Bryan et al.	D24/103
5,770,225 A		6/1998	Parekh et al.		
D400,672 S		11/1998	Kramer et al.		
D423,141 S	*	4/2000	Binstock et al.	D28/8.1
D428,136 S	*	7/2000	Cady et al.	D24/101
D431,076 S	*	9/2000	Chen et al.	D24/102
D434,846 S		12/2000	Chen et al.		
D459,798 S	*	7/2002	Desesquelle et al.	D24/101

* cited by examiner

Primary Examiner—Charles A. Rademaker
(74) *Attorney, Agent, or Firm*—Dianne Brown; Mark R. Daniel

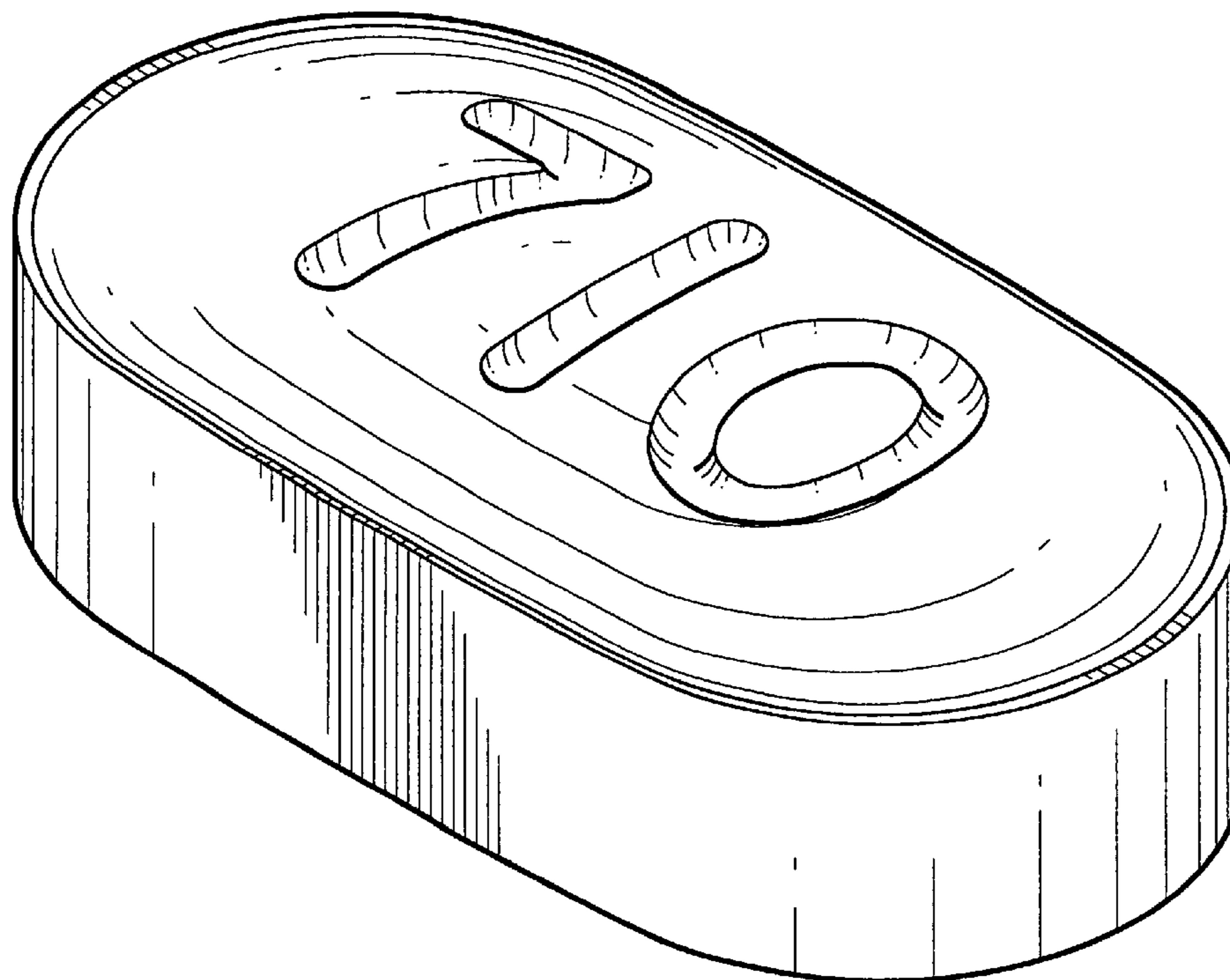
(57) **CLAIM**

The ornamental design for a tablet, as shown and described.

DESCRIPTION

FIG. 1 is a top plan view of a tablet showing our new design; FIG. 2 is a bottom plan view thereof; FIG. 3 is a front elevational view thereof; FIG. 4 is a side elevational view thereof; FIG. 5 is a top perspective view thereof; and, FIG. 6 is a bottom perspective view thereof.

1 Claim, 3 Drawing Sheets



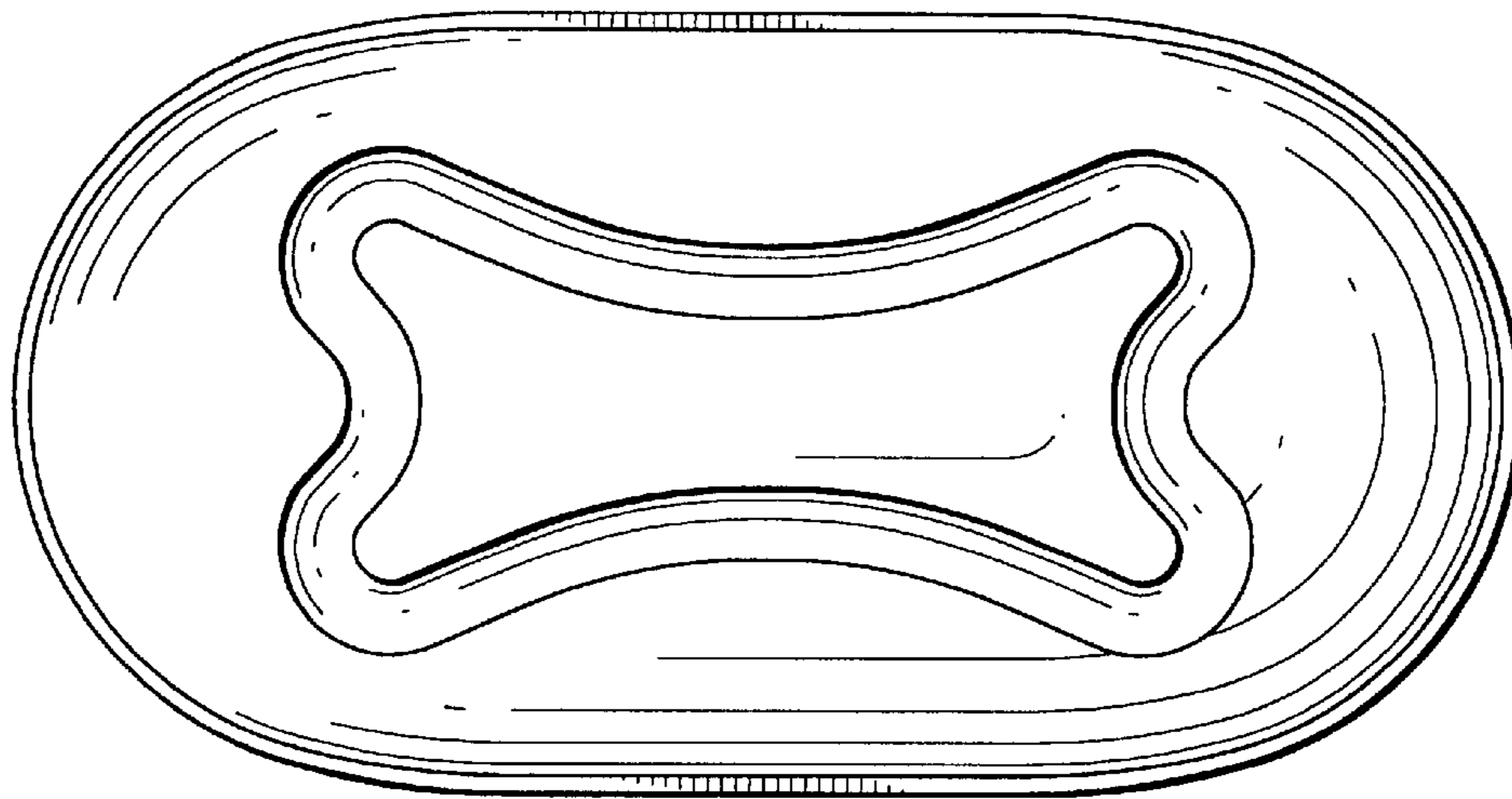


FIG. 1

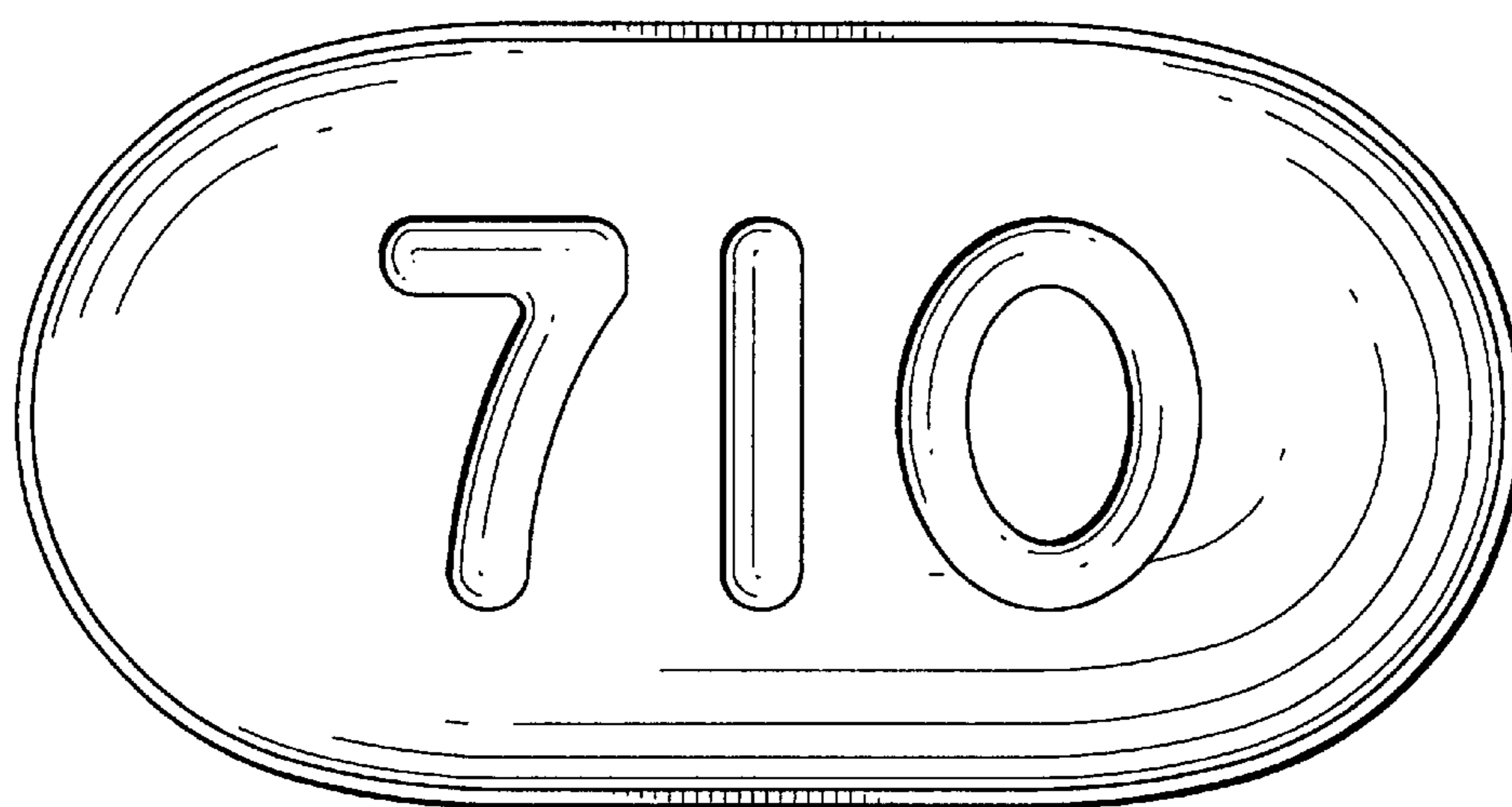


FIG. 2

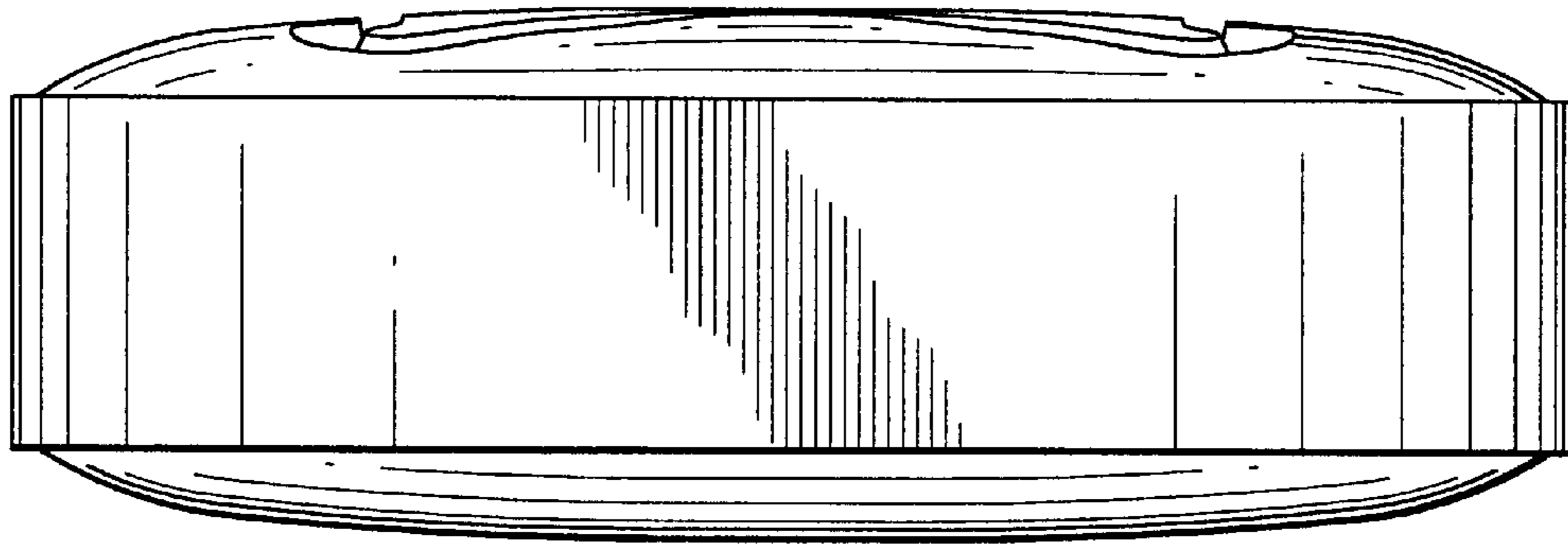


FIG. 3

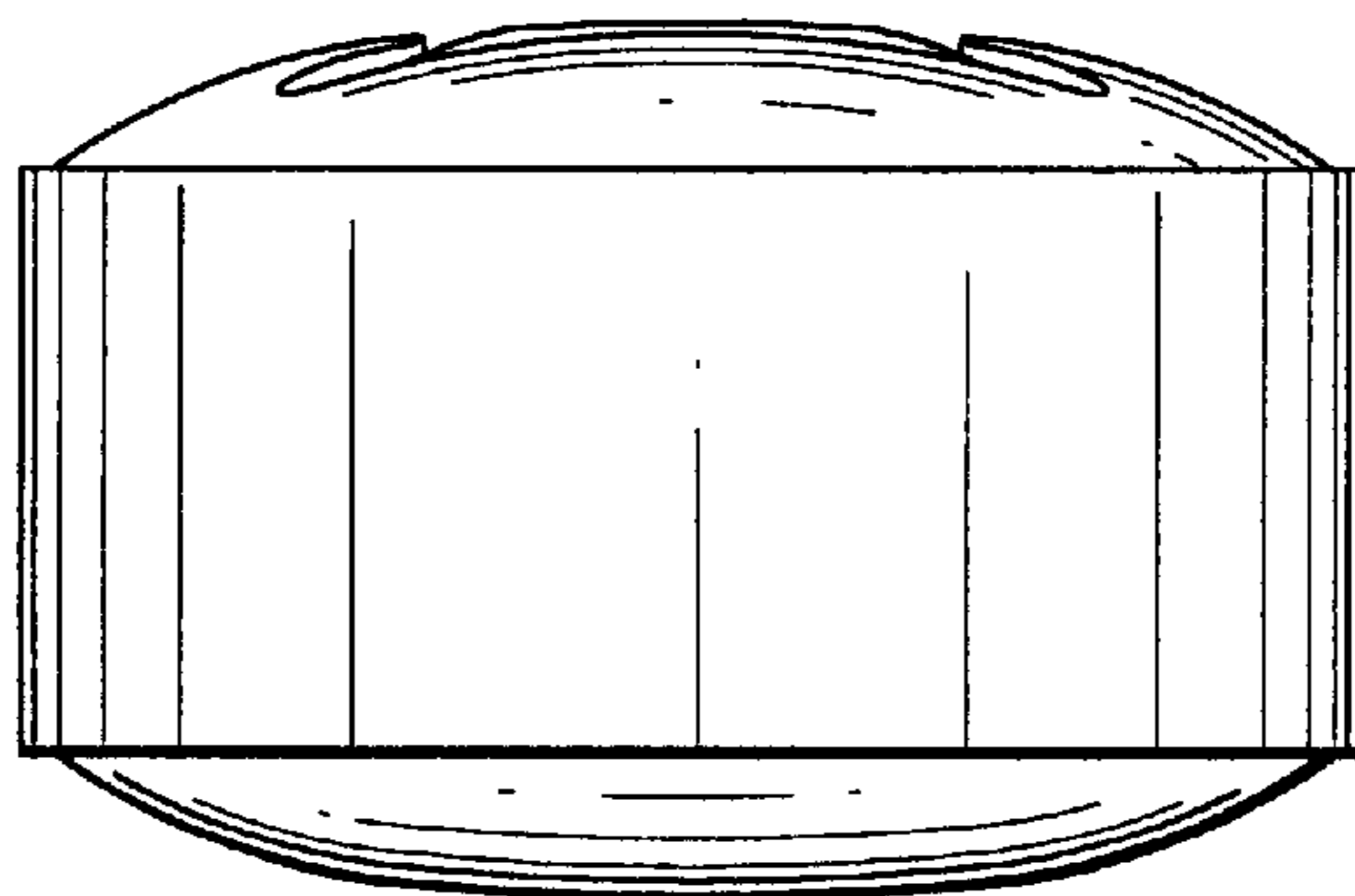


FIG. 4

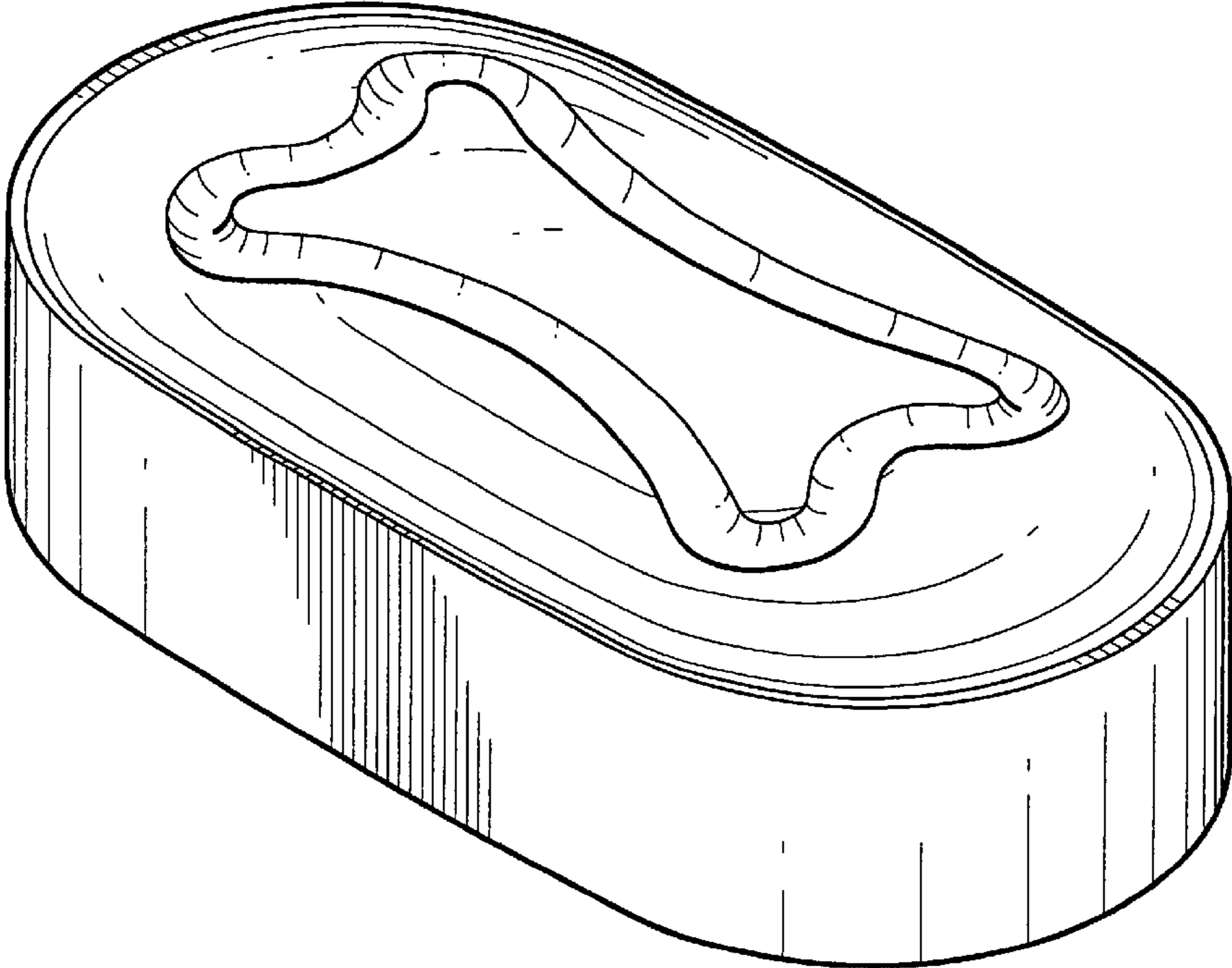


FIG. 5

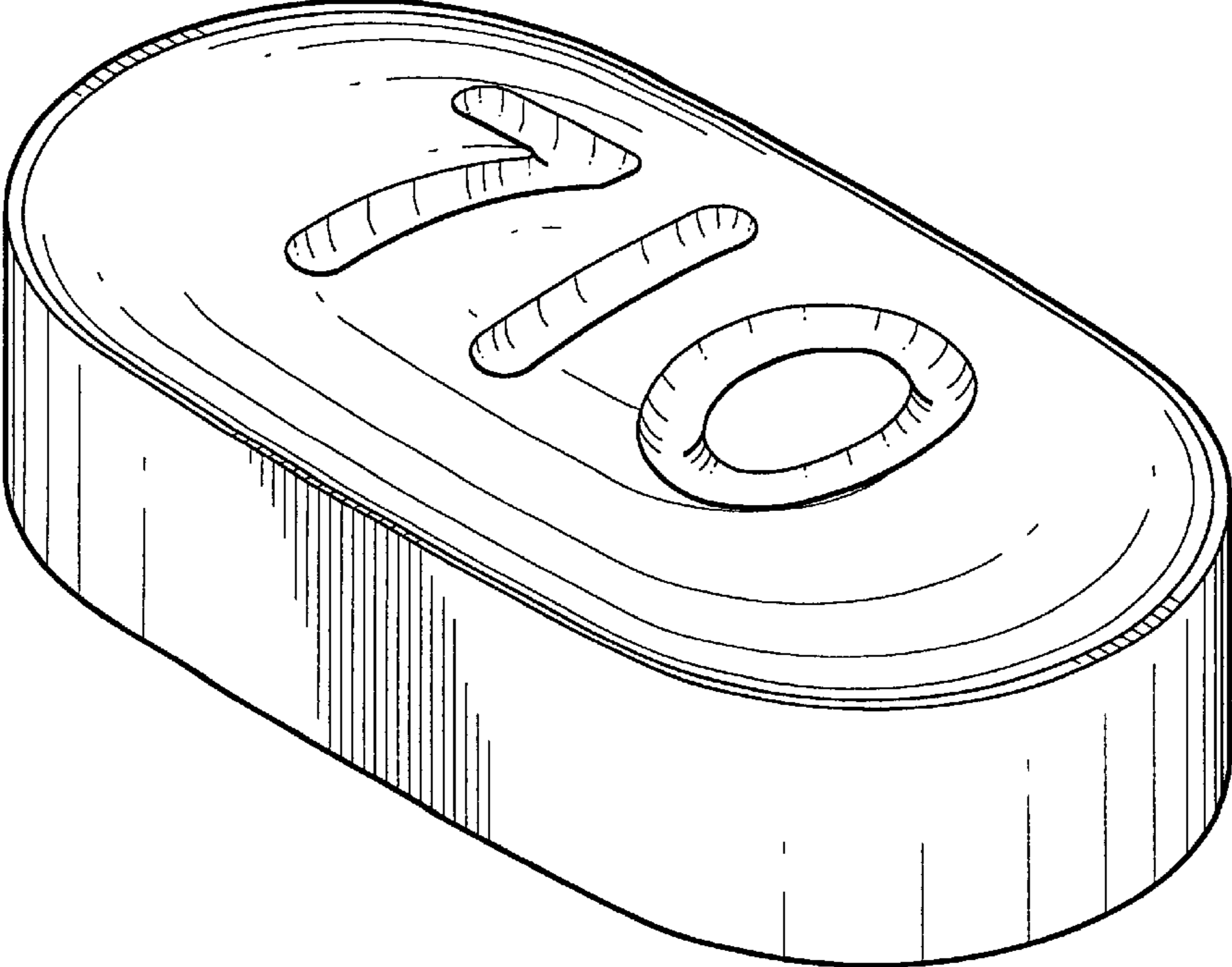


FIG. 6