



US00D515199S

(12) **United States Design Patent**  
**Hidalgo**

(10) **Patent No.:** **US D515,199 S**  
(45) **Date of Patent:** **\*\* Feb. 14, 2006**

(54) **CEILING FAN HOUSING**

(75) Inventor: **Rolando Hidalgo**, Orange, CA (US)

(73) Assignee: **Minka Lighting, Inc.**, Corona, CA (US)

(\*\*) Term: **14 Years**

(21) Appl. No.: **29/215,816**

(22) Filed: **Oct. 25, 2004**

(51) **LOC (8) Cl.** ..... **23-04**

(52) **U.S. Cl.** ..... **D23/411**

(58) **Field of Classification Search** ..... D23/377,  
D23/379, 385, 411, 413; 416/5; D26/59,  
D26/72, 81-86, 88; 362/96

See application file for complete search history.

(56) **References Cited**

**U.S. PATENT DOCUMENTS**

D376,004 S \* 11/1996 Tsuji ..... D23/377  
D487,145 S \* 2/2004 Hsieh ..... D23/377

**OTHER PUBLICATIONS**

The Art of Air Management—Minka Aire 2004; Minka Lighting, Inc. U.S.A.; Belcaro Model; Jan. 2004; pp. 44-45.

\* cited by examiner

*Primary Examiner*—Lisa Lichtenstein

(74) *Attorney, Agent, or Firm*—Baker & McKenzie LLP

(57) **CLAIM**

The ornamental design for a ceiling fan housing, as shown and described.

**DESCRIPTION**

FIG. 1 is a perspective view from below of a ceiling fan housing in accordance with my design, including the environment thereof;

FIG. 2 is a greatly enlarged perspective view from below of the ceiling fan housing in accordance with my design, including the environment thereof;

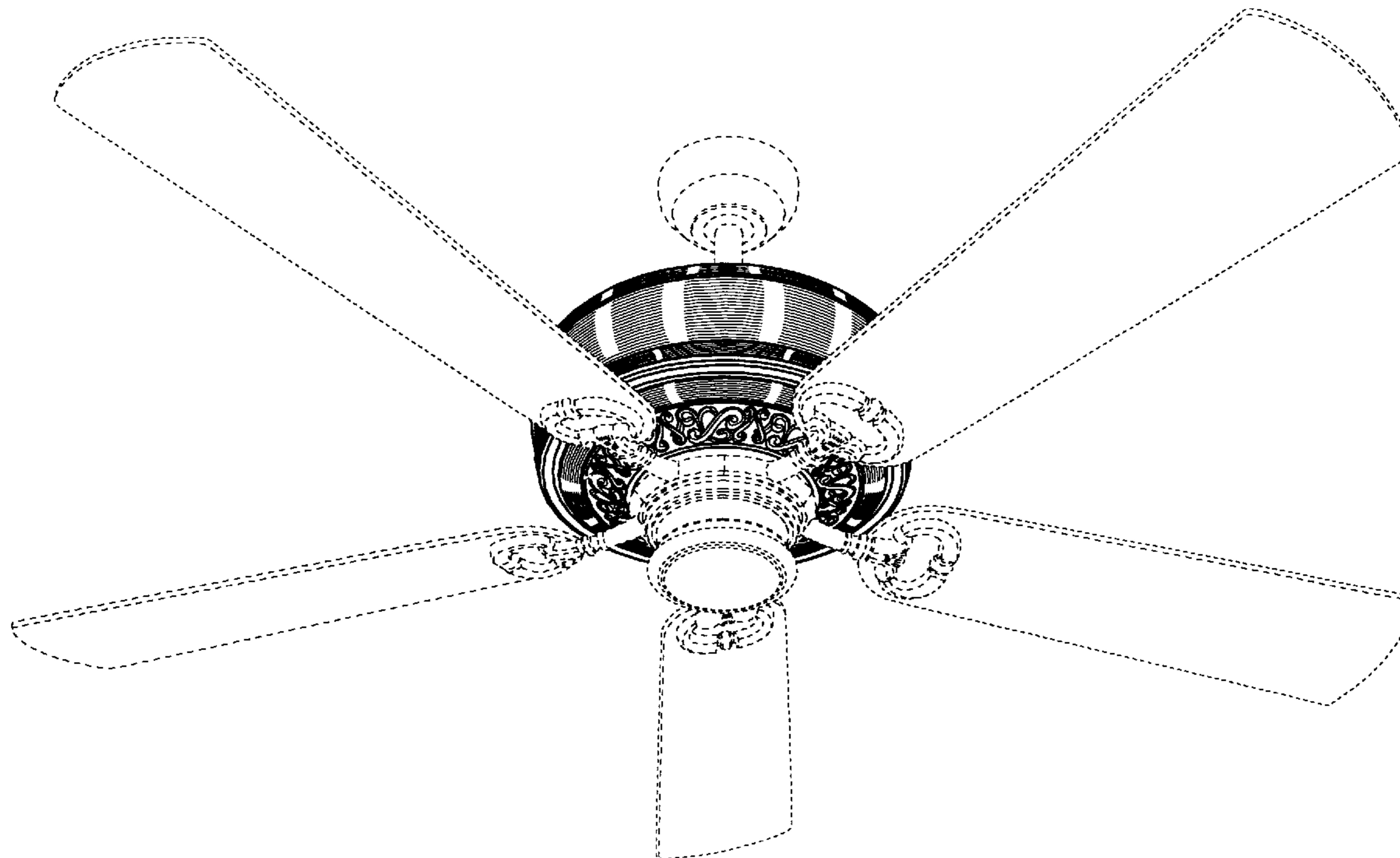
FIG. 3 is an enlarged bottom plan view of the ceiling fan housing in accordance with my design, including the environment thereof;

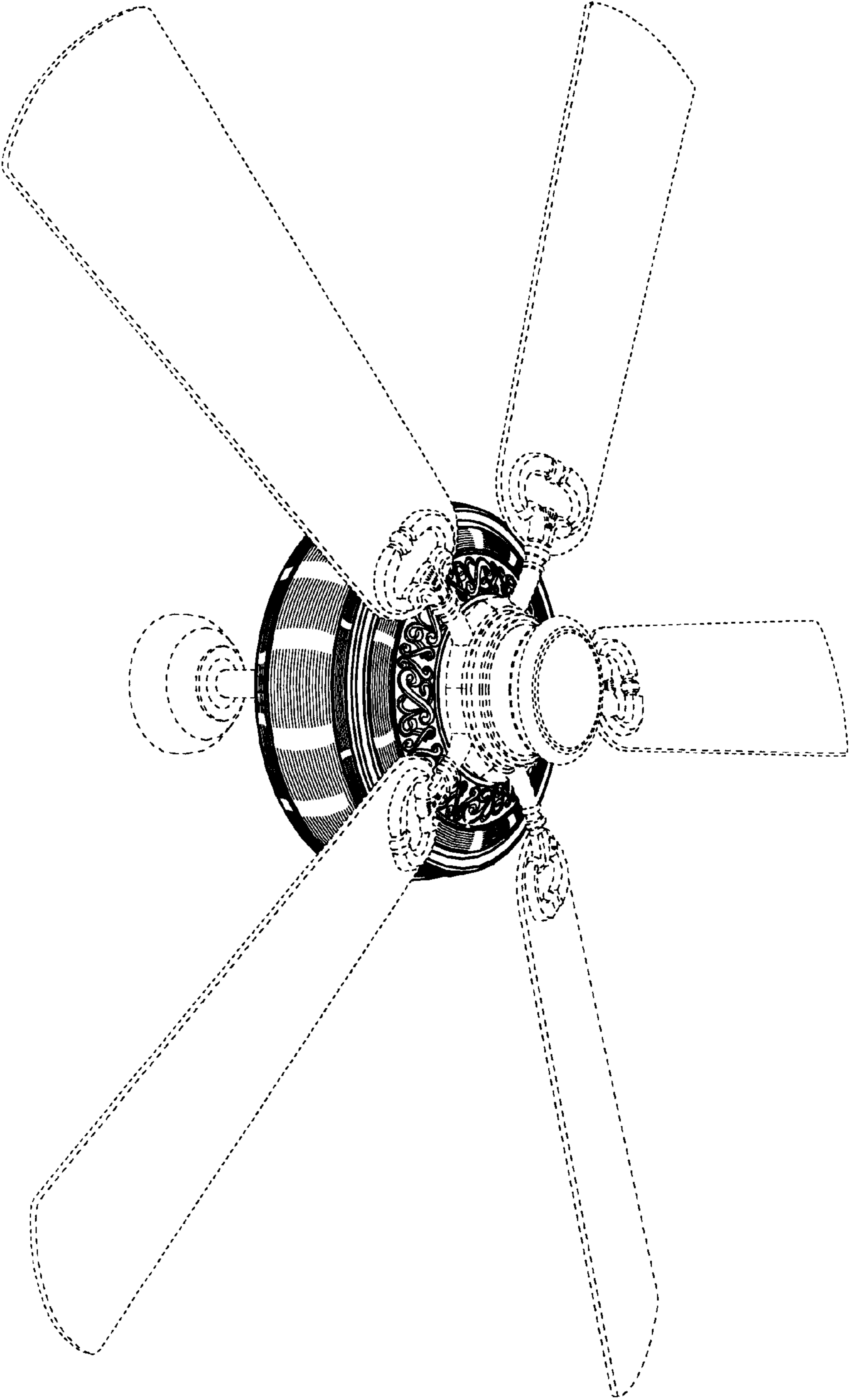
FIG. 4 is an enlarged top plan view of the ceiling fan housing in accordance with my design; and,

FIG. 5 is a representative enlarged side elevation view of the ceiling fan housing in accordance with my design.

The broken lines showing environmental structure are for illustrative purposes and form no part of the claimed design.

**1 Claim, 5 Drawing Sheets**





*Fig.1*

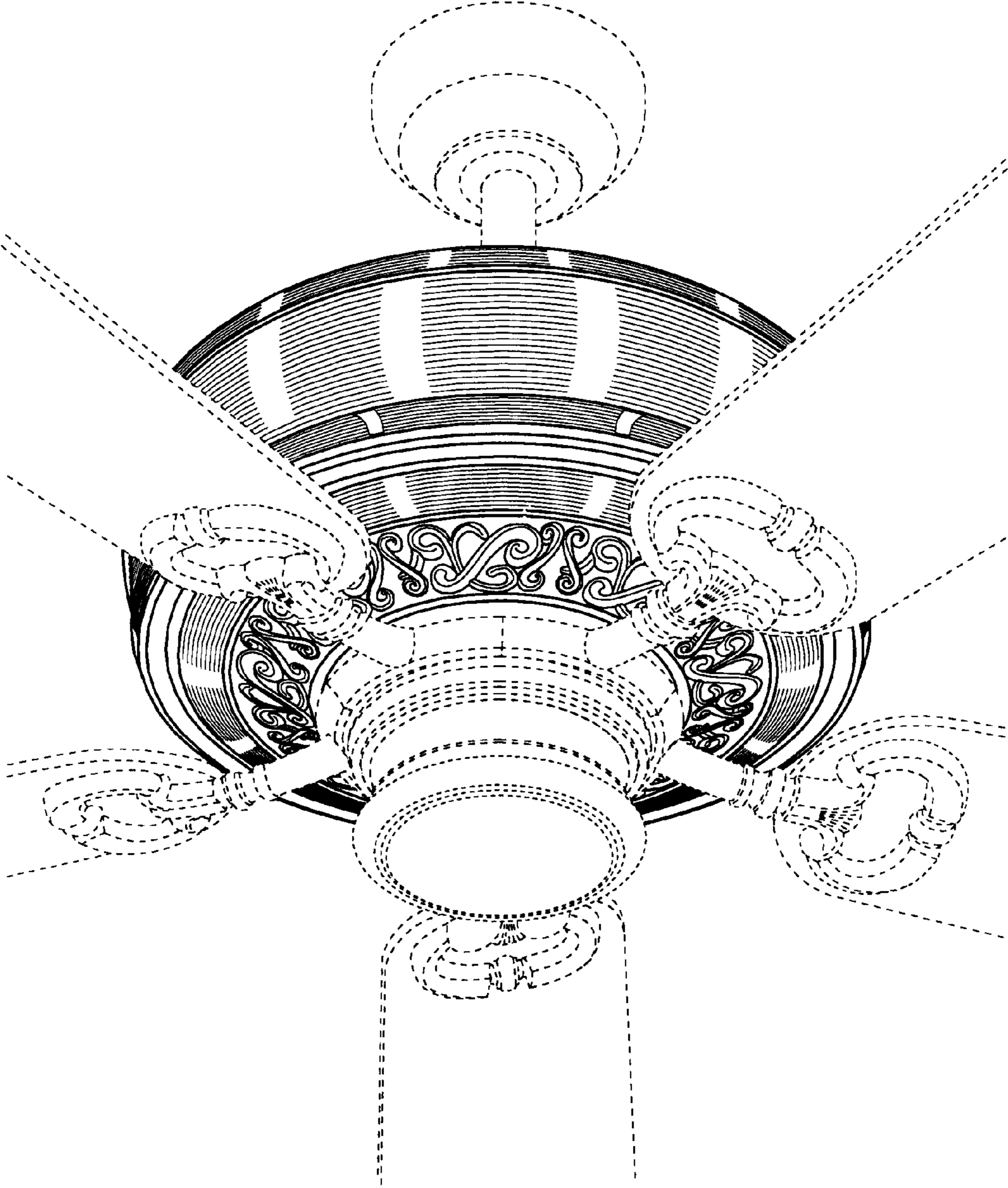
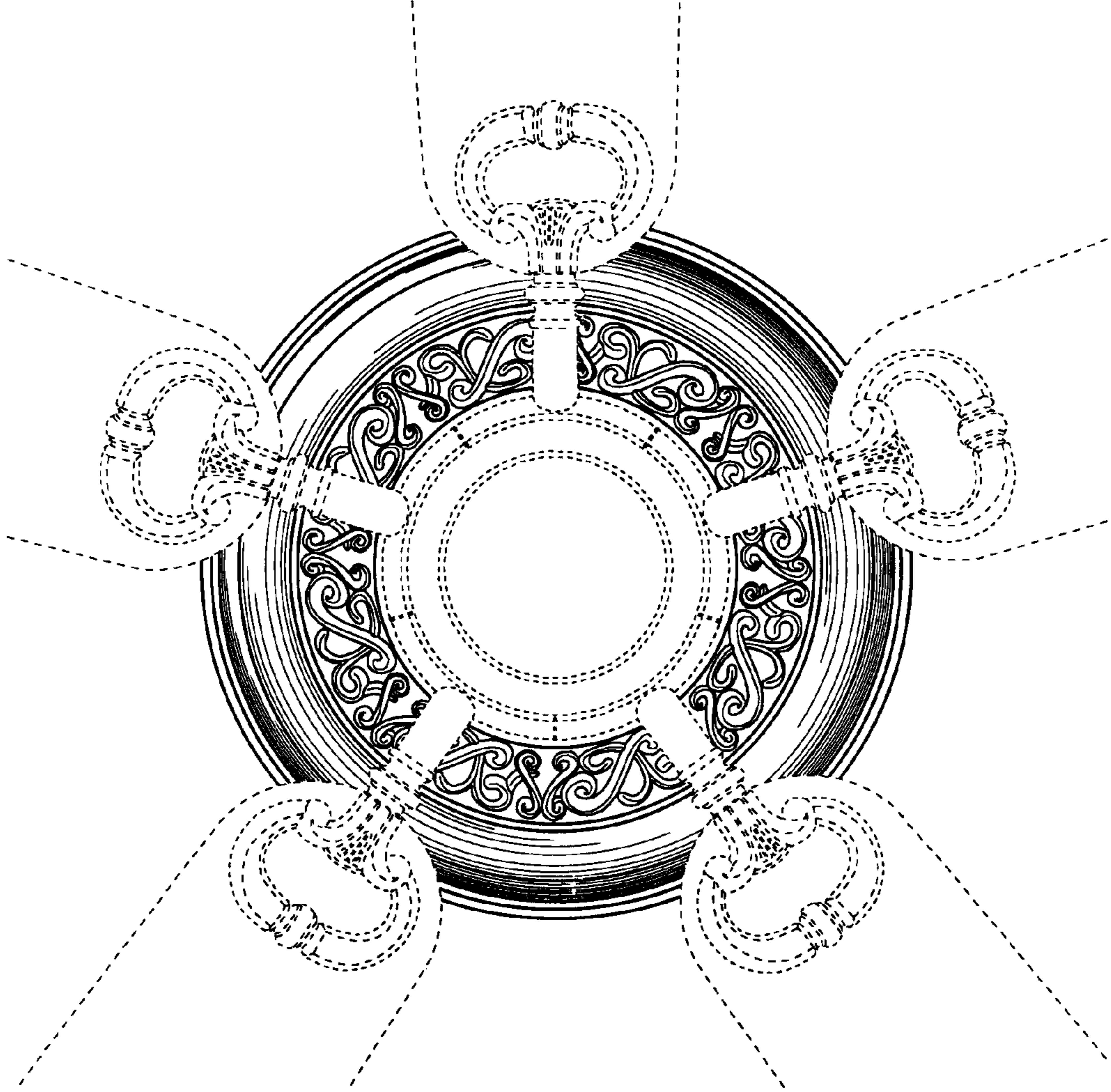
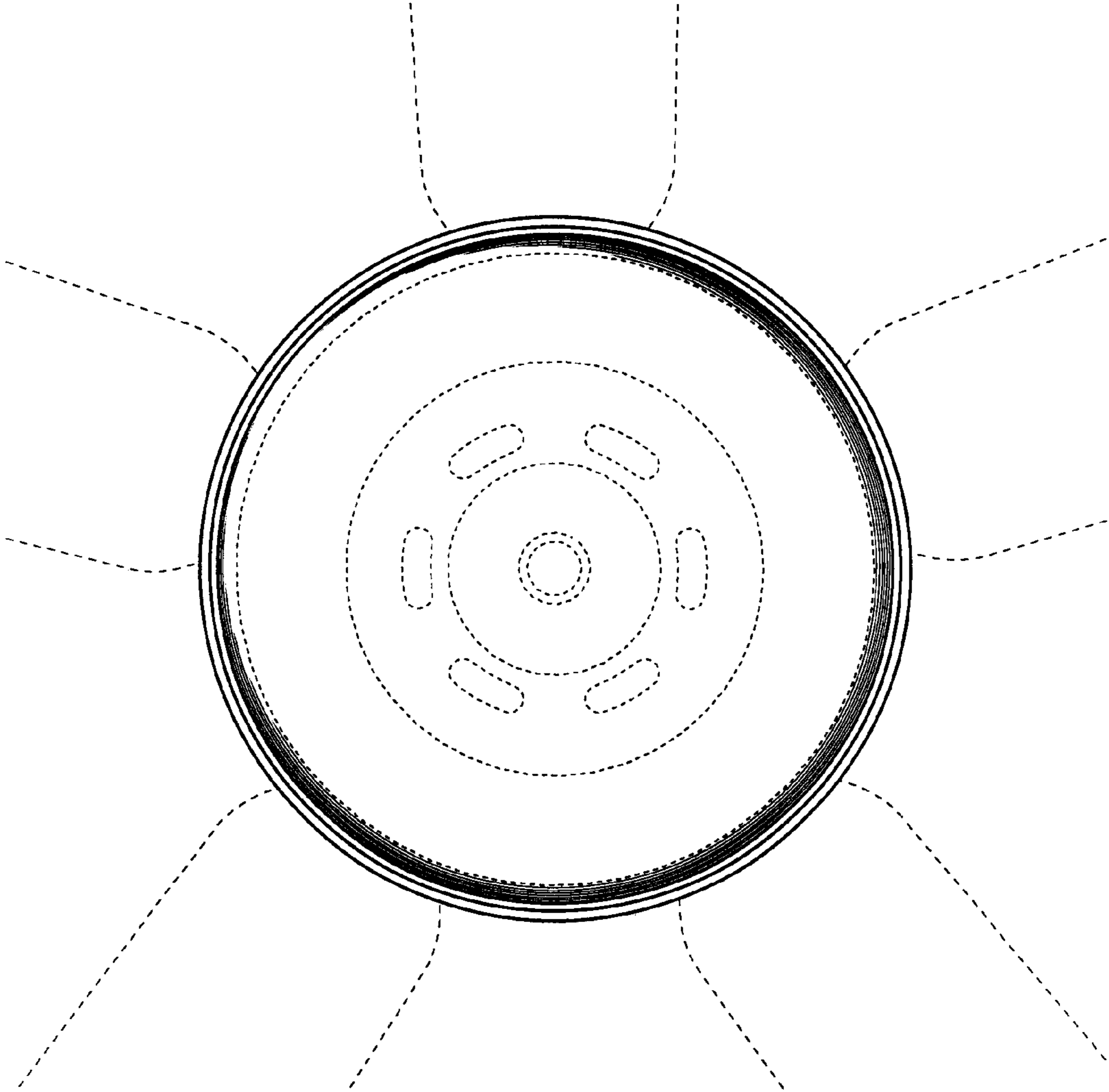


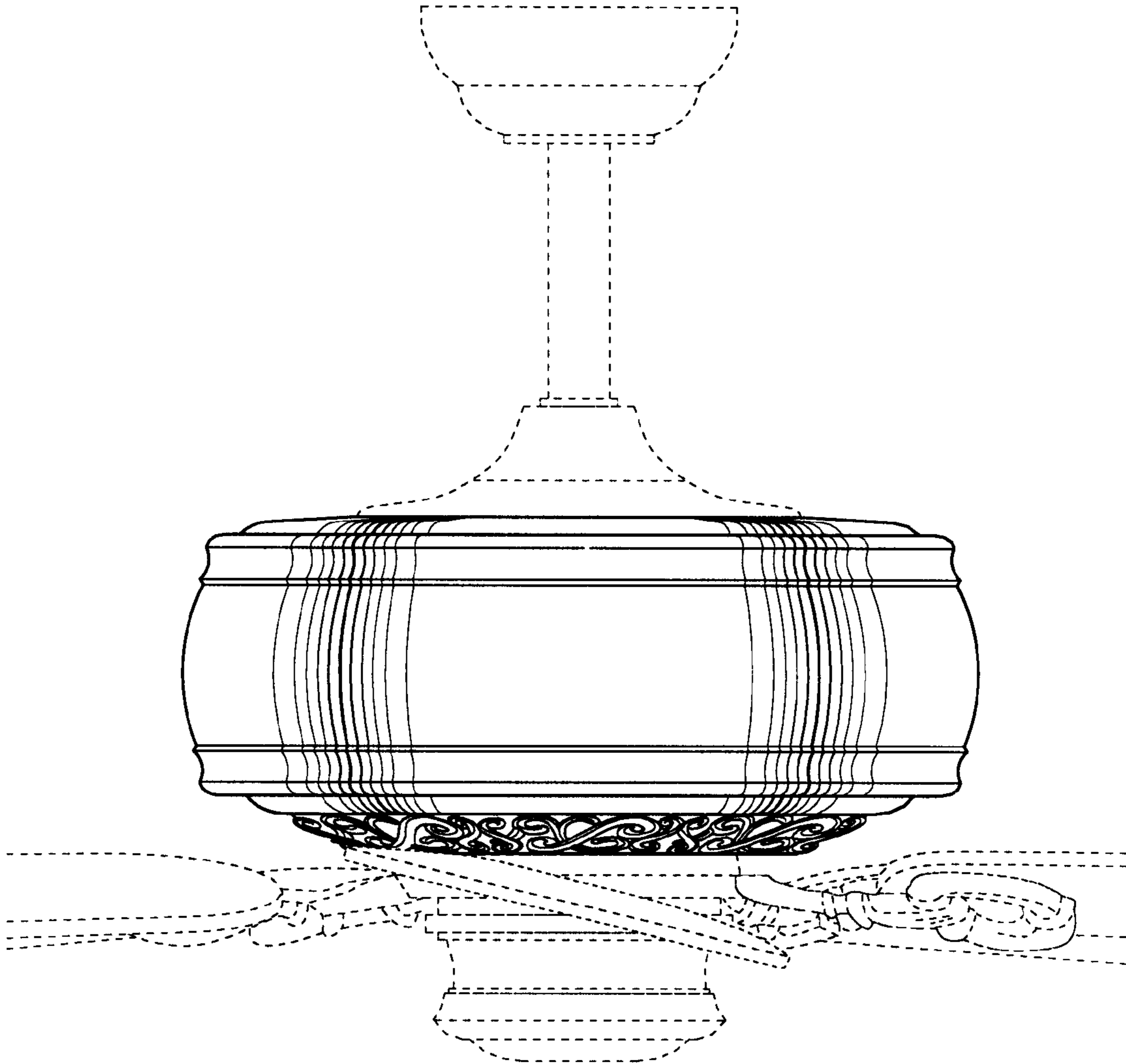
Fig.2



*Fig.3*



*Fig.4*



*Fig.5*