



US00D515197S

(12) **United States Design Patent**
Hidalgo

(10) **Patent No.:** **US D515,197 S**

(45) **Date of Patent:** **** Feb. 14, 2006**

(54) **CEILING FAN**

(75) Inventor: **Rolando Hidalgo**, Orange, CA (US)

(73) Assignee: **Minka Lighting, Inc.**, Corona, CA (US)

(**) Term: **14 Years**

(21) Appl. No.: **29/215,820**

(22) Filed: **Oct. 25, 2004**

(51) **LOC (8) Cl.** **23-04**

(52) **U.S. Cl.** **D23/377**

(58) **Field of Classification Search** D23/377,
D23/379, 385, 411, 413; 416/5; D26/59,
D26/72, 81-86, 88; 362/96

See application file for complete search history.

(56) **References Cited**

U.S. PATENT DOCUMENTS

D376,004 S * 11/1996 Tsuji D23/377
D487,145 S * 2/2004 Hsieh D23/377

OTHER PUBLICATIONS

U.S. Appl. No. 29/215,797, Rolando Hidalgo.
U.S. Appl. No. 29/215,816, Rolando Hidalgo.
U.S. Appl. No. 29/215,825, Rolando Hidalgo.
The Art of Air Management—Minka Aire 2004; Minka
Lighting, Inc. U.S.A.; Belcaro Model; Jan. 2004; pp. 44-45.

* cited by examiner

Primary Examiner—Lisa Lichtenstein

(74) *Attorney, Agent, or Firm*—Baker & McKenzie LLP

(57) **CLAIM**

The ornamental design for a ceiling fan, as shown and described.

DESCRIPTION

FIG. 1 is a perspective view from below of a ceiling fan in accordance with my design, including the environment thereof;

FIG. 2 is an enlarged perspective view of the ceiling fan in accordance with my design, including the environment thereof;

FIG. 3 is a reduced bottom plan view of the ceiling fan in accordance with my design;

FIG. 4 is a reduced top plan view of the ceiling fan in accordance with my design;

FIG. 5 is a side elevation view of the ceiling fan in accordance with my design; and,

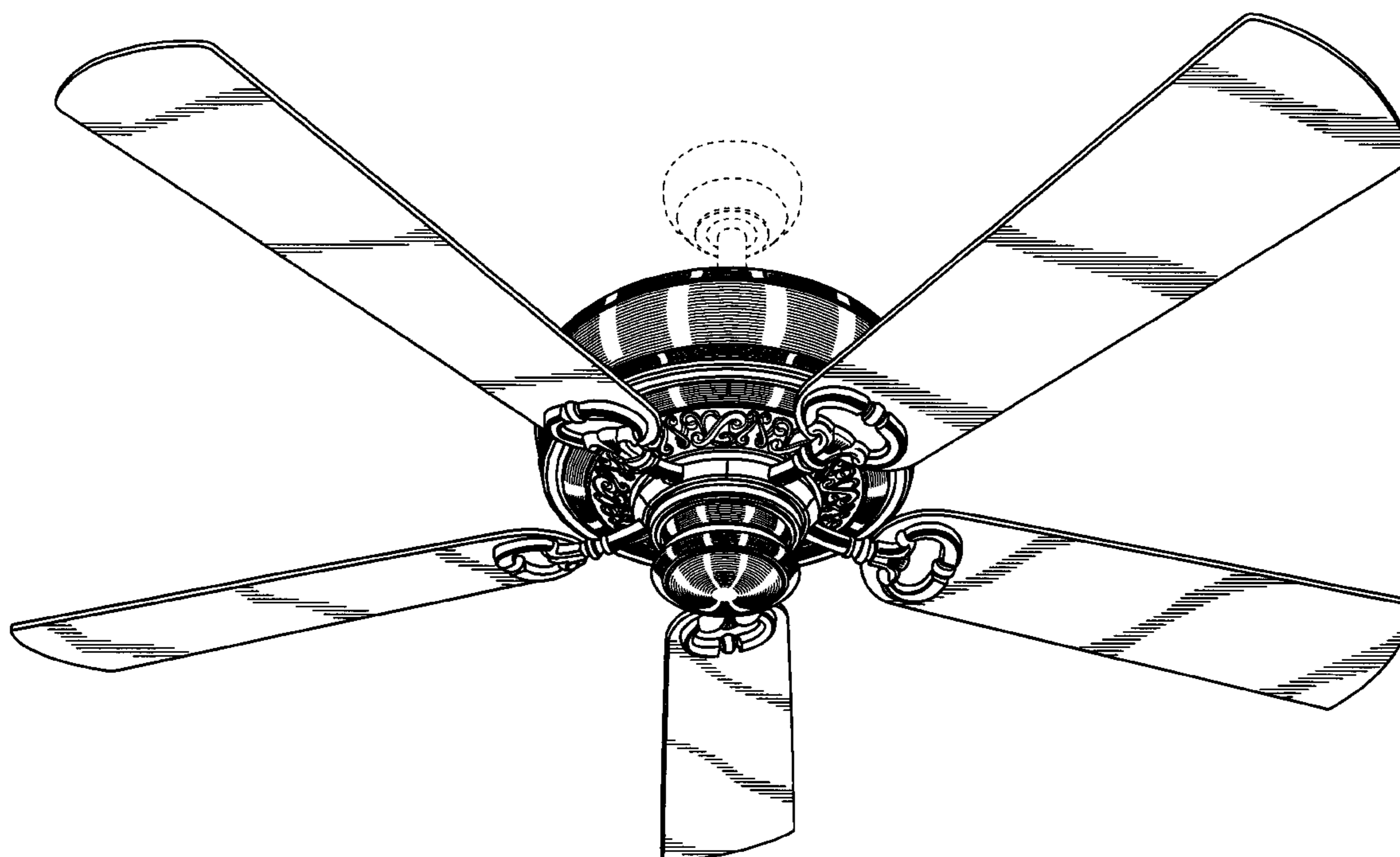
FIG. 6 is a front elevation view of the ceiling fan in accordance with my design.

FIGS. 5 and 6 are identical except for the positioning of the fan blades.

The broken lines showing environmental structure are for illustrative purposes and form no part of the claimed design.

In FIG. 2, the fan blades are shown broken away to indicate indeterminate length.

1 Claim, 6 Drawing Sheets



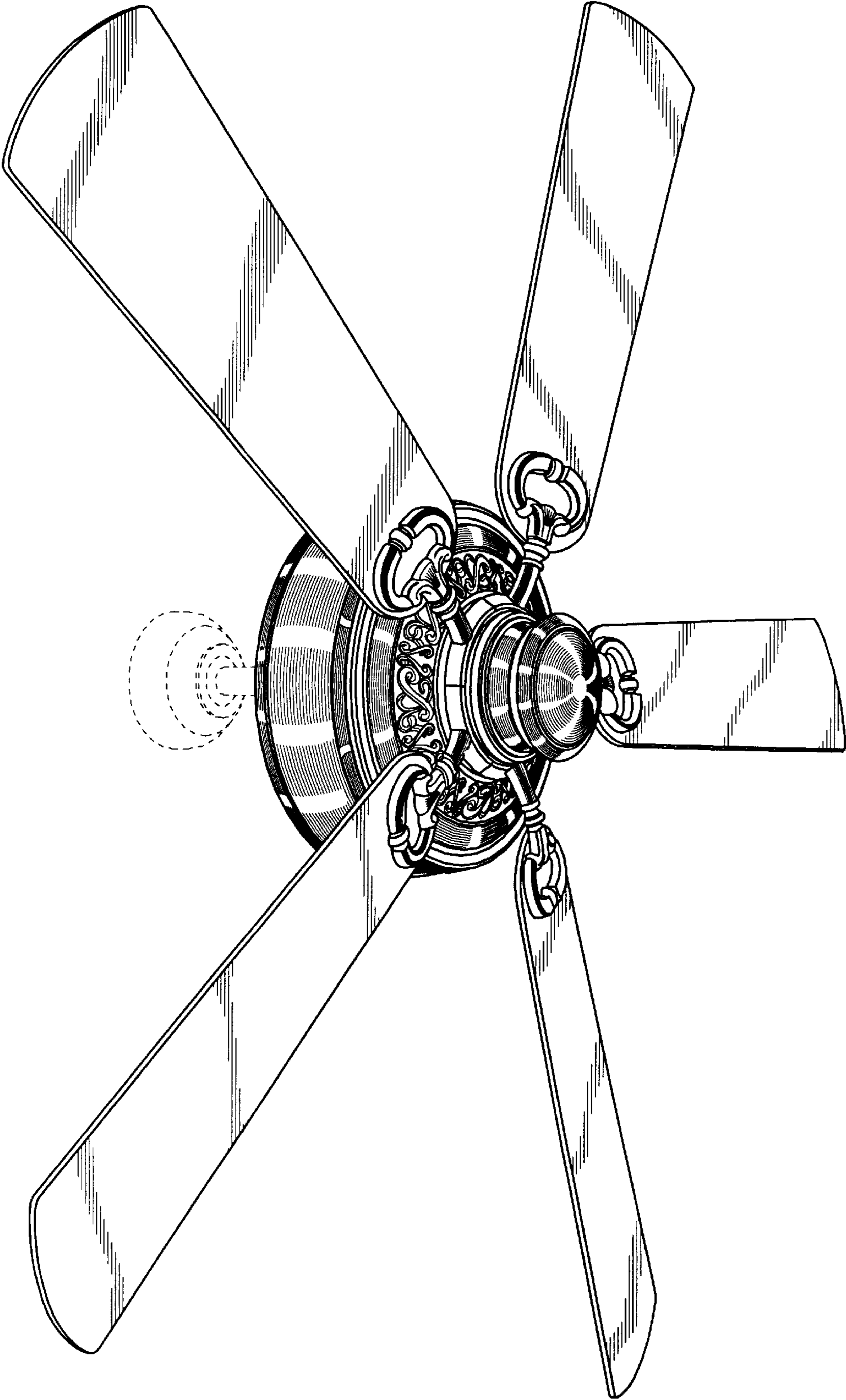


Fig.1

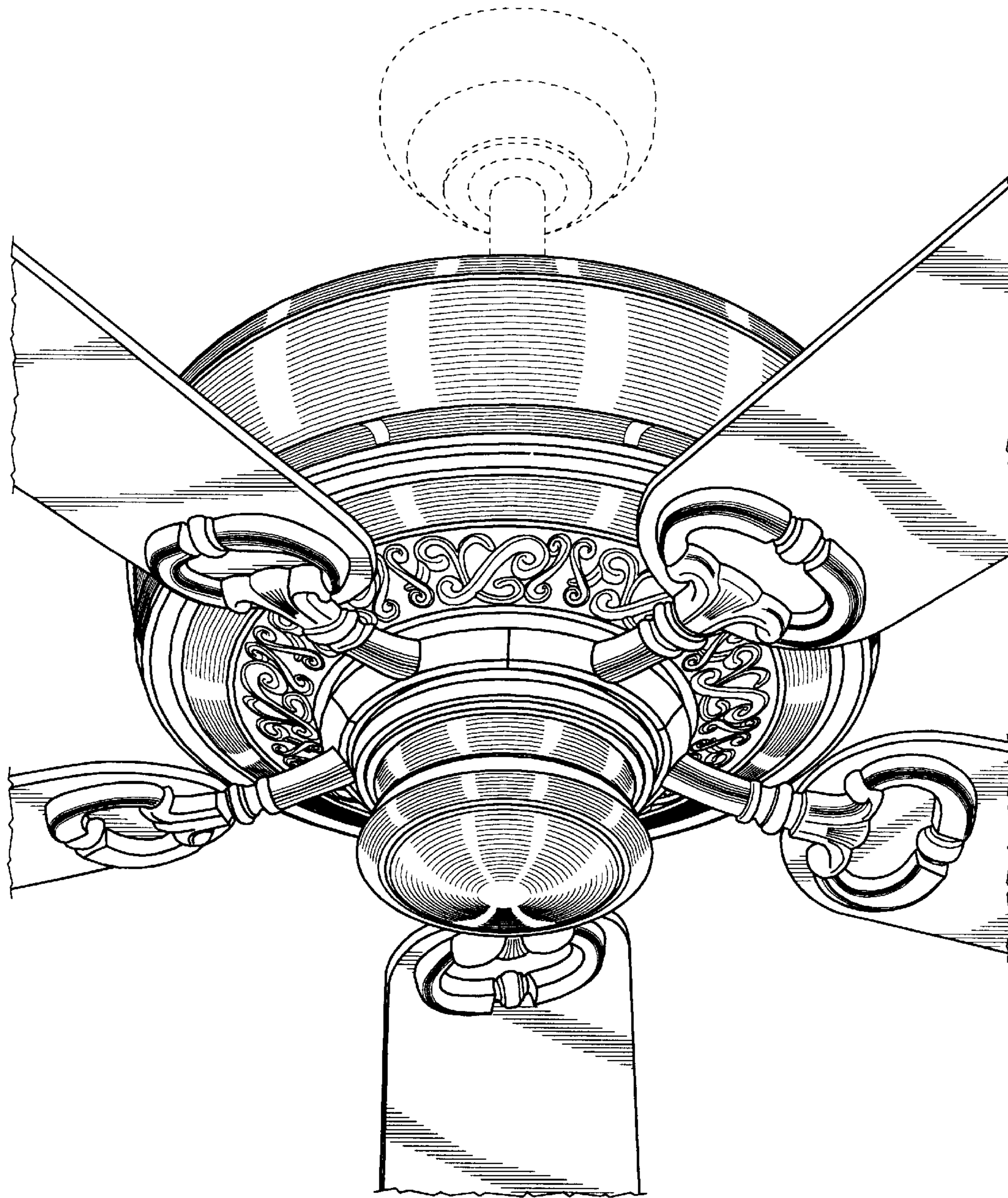


Fig.2

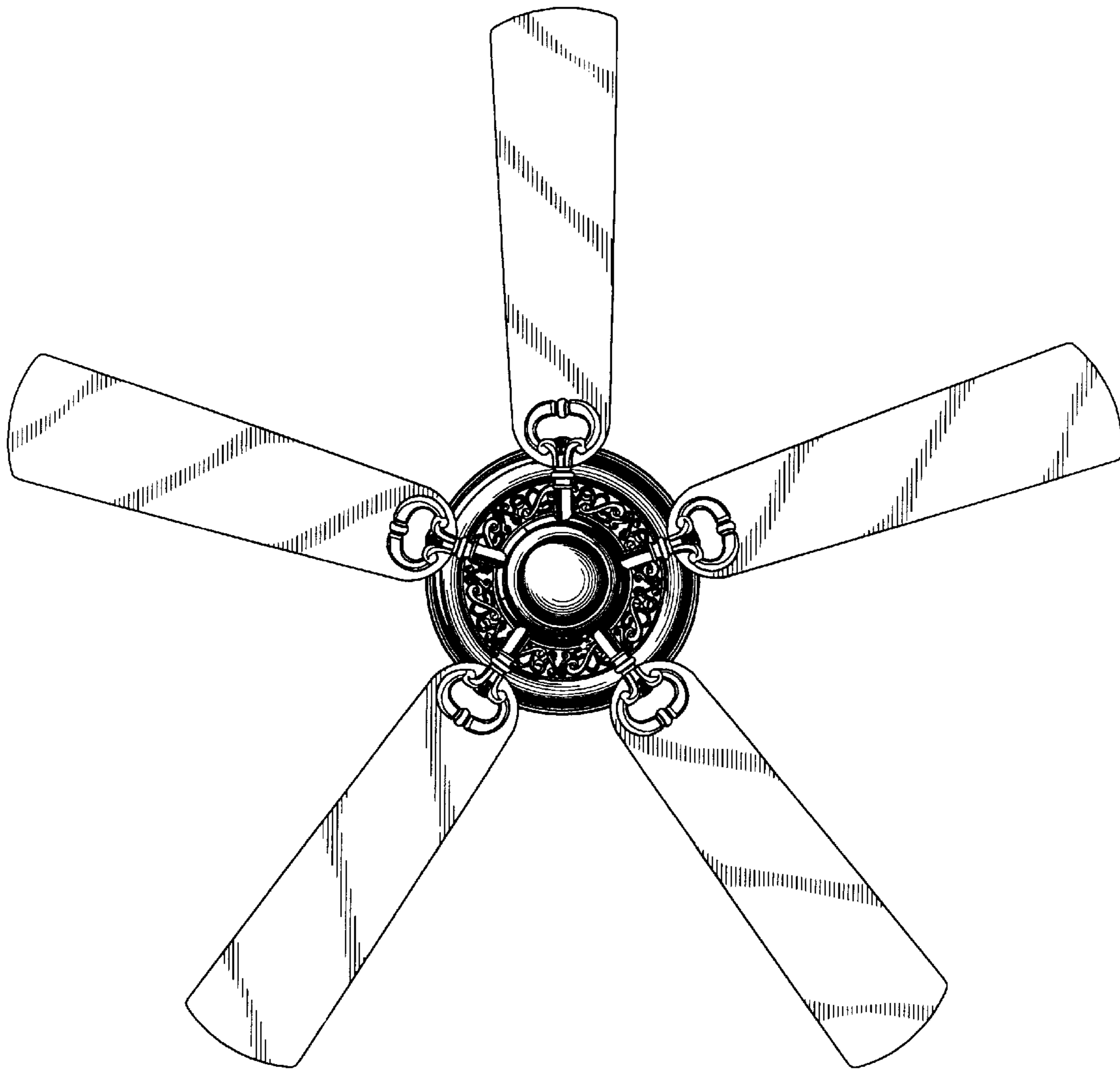


Fig.3

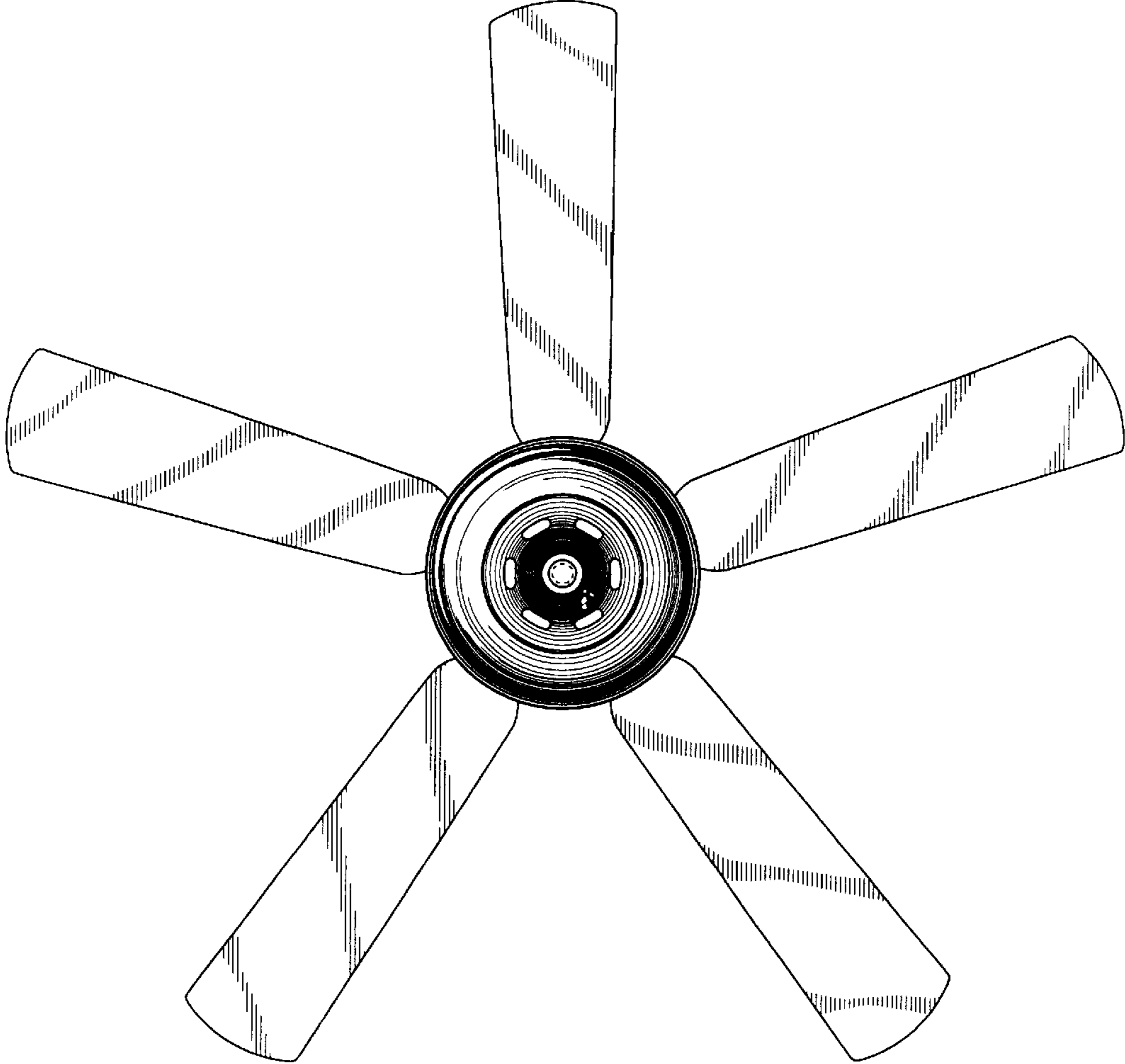


Fig.4

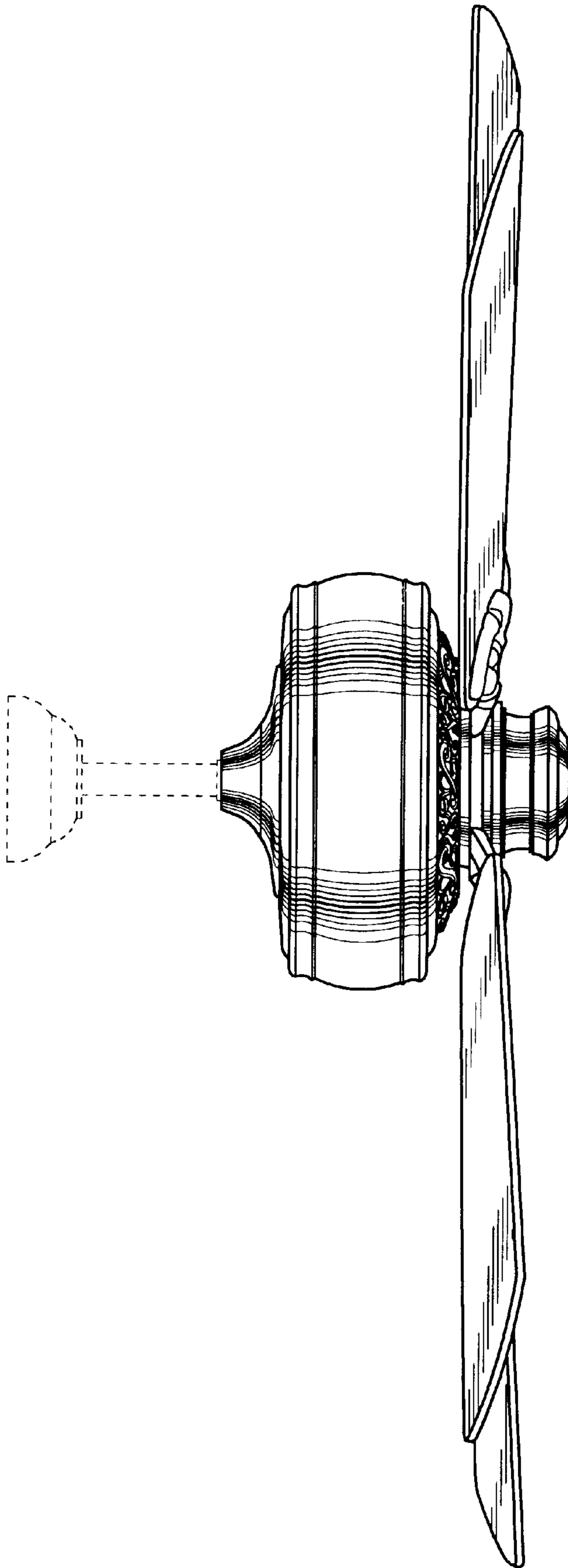


Fig.5

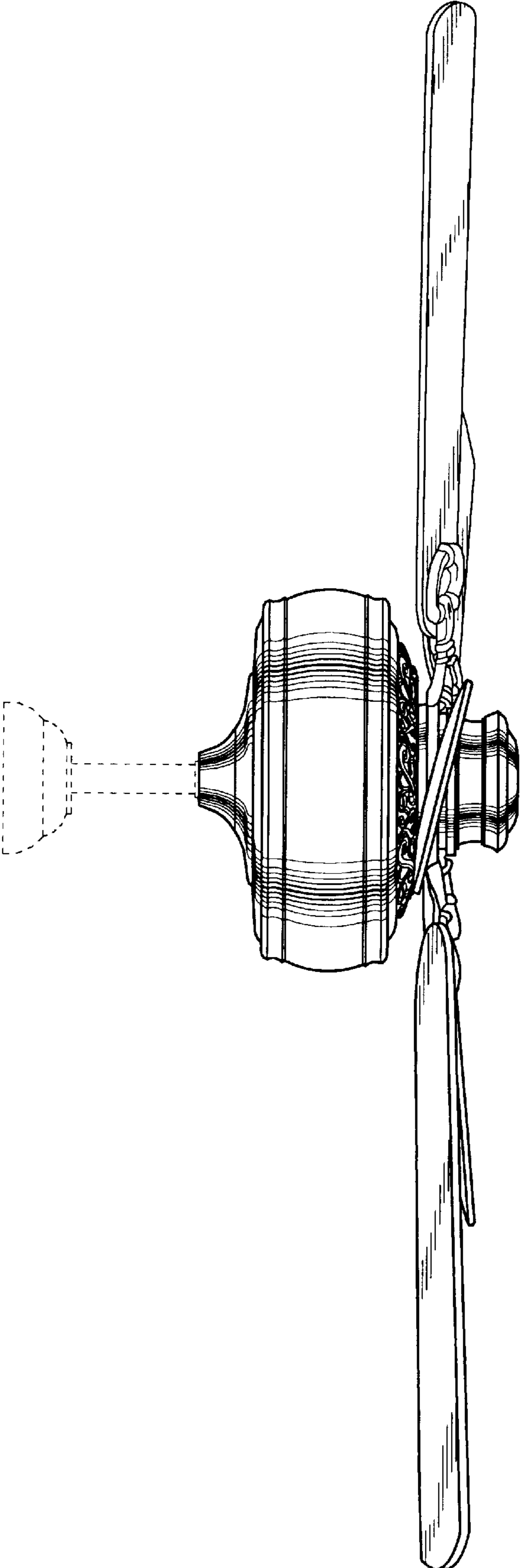


Fig.6