



US00D515190S

(12) **United States Design Patent**
Bartholmey et al.

(10) **Patent No.:** **US D515,190 S**
(45) **Date of Patent:** **** Feb. 14, 2006**

(54) **AIR FILTRATION SYSTEM**

(75) Inventors: **Brett Bartholmey**, Bellingham, WA (US); **Larry White**, Anacortes, WA (US); **Kurt Eells**, Shoreline, WA (US)

(73) Assignee: **Dri-Eaz Products, Inc.**, Burlington, WA (US)

(**) Term: **14 Years**

(21) Appl. No.: **29/214,221**

(22) Filed: **Sep. 28, 2004**

(51) **LOC (8) Cl.** **23-04**

(52) **U.S. Cl.** **D23/365**

(58) **Field of Classification Search** D23/355,
D23/364-5; 55/467, 471, 472, 356
See application file for complete search history.

(56) **References Cited**

U.S. PATENT DOCUMENTS

- 6,030,426 A * 2/2000 Stopyra et al. 55/357
- D453,560 S * 2/2002 Van Brunt D23/355
- 6,447,586 B1 * 9/2002 Campbell 96/415
- D500,848 S * 1/2005 Holderfield et al. D23/364

OTHER PUBLICATIONS

DRI-EAZ; Product Catalog; 2003; p. 14.

* cited by examiner

Primary Examiner—Robin V. Webster

(74) *Attorney, Agent, or Firm*—Michael R. Schacht; Schacht Law Office, Inc.

(57) **CLAIM**

The ornamental design for an air filtration system, as shown and described.

DESCRIPTION

FIG. 1 is an isometric view of a first embodiment of an air filtration system of the present invention;
 FIG. 2 is a first side elevation view of the first embodiment;
 FIG. 3 is a rear elevation view of the first embodiment;
 FIG. 4 is a front elevation view of the first embodiment;
 FIG. 5 is a second side elevation view of the first embodiment;
 FIG. 6 is a top plan view of the first embodiment;
 FIG. 7 is a bottom plan view of the first embodiment;
 FIG. 8 is an isometric view of a second embodiment of an air filtration system of the present invention;
 FIG. 9 is a first side elevation view of the second embodiment;
 FIG. 10 is a rear elevation view of the second embodiment;
 FIG. 11 is a front elevation view of the second embodiment;
 FIG. 12 is a second side elevation view of the second embodiment;
 FIG. 13 is a top plan view of the second embodiment; and,
 FIG. 14 is a bottom plan view of the second embodiment.
 The broken line showing is for illustrative purposes only and forms no part of the claimed design.

1 Claim, 12 Drawing Sheets

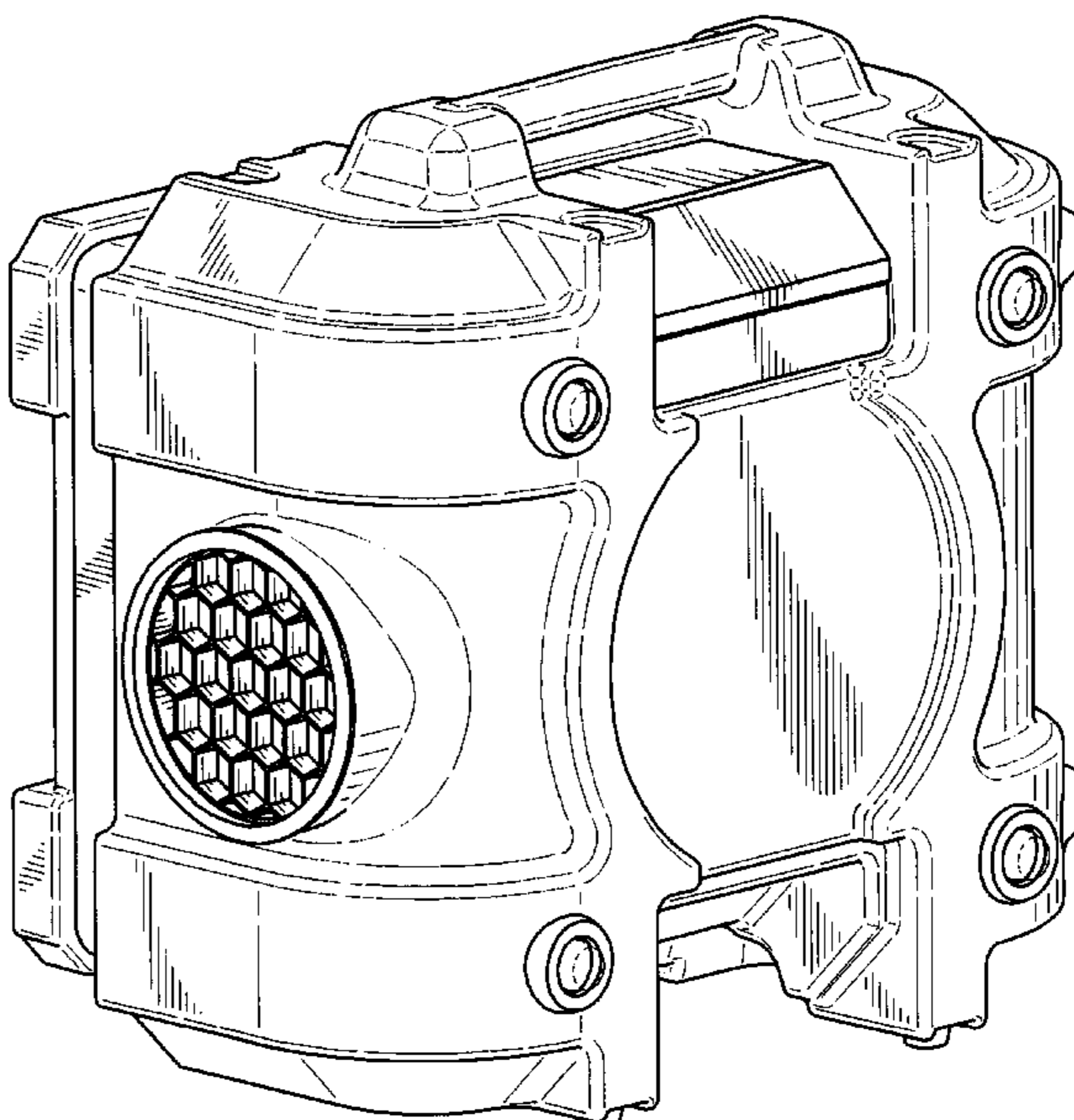
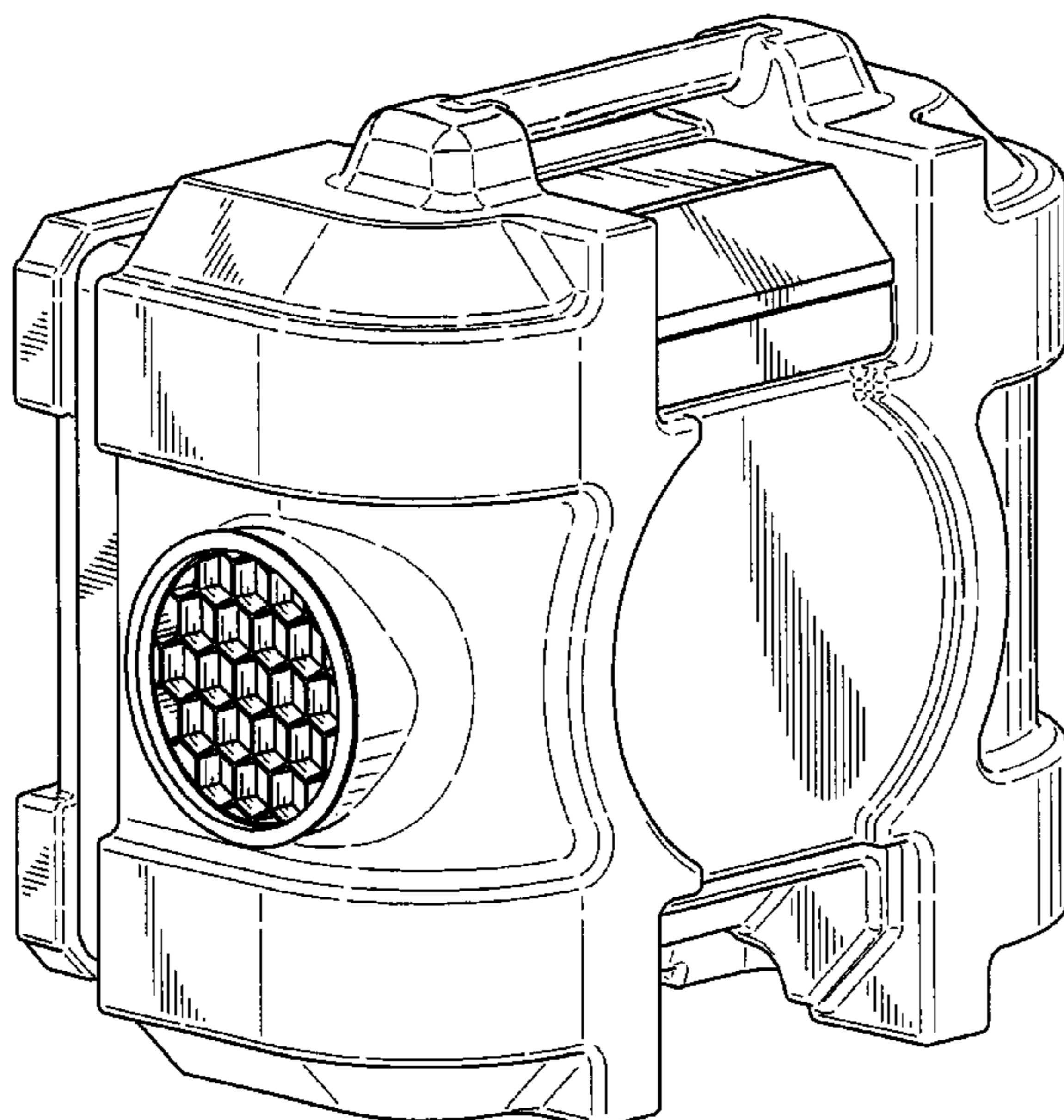


FIG. 1

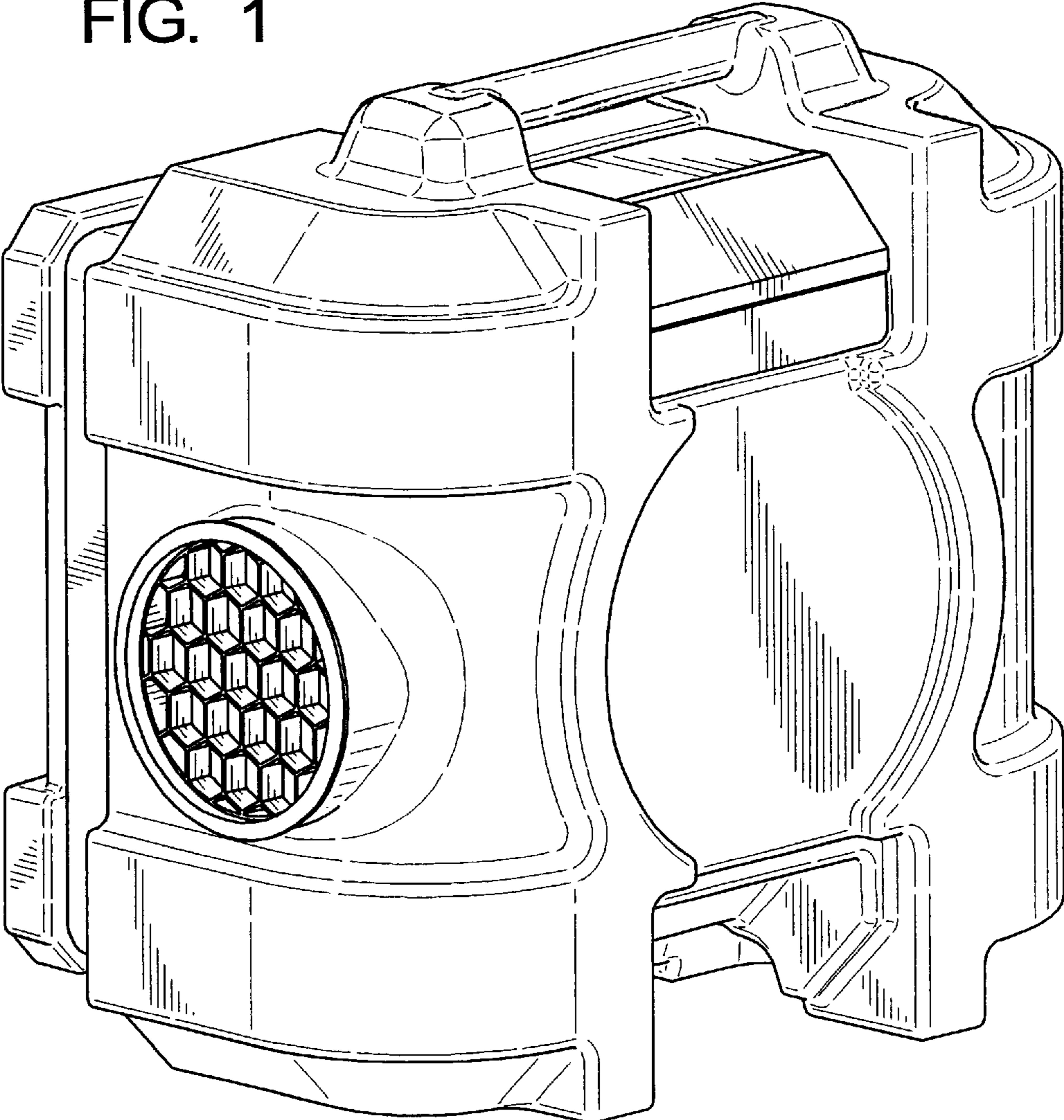


FIG. 2

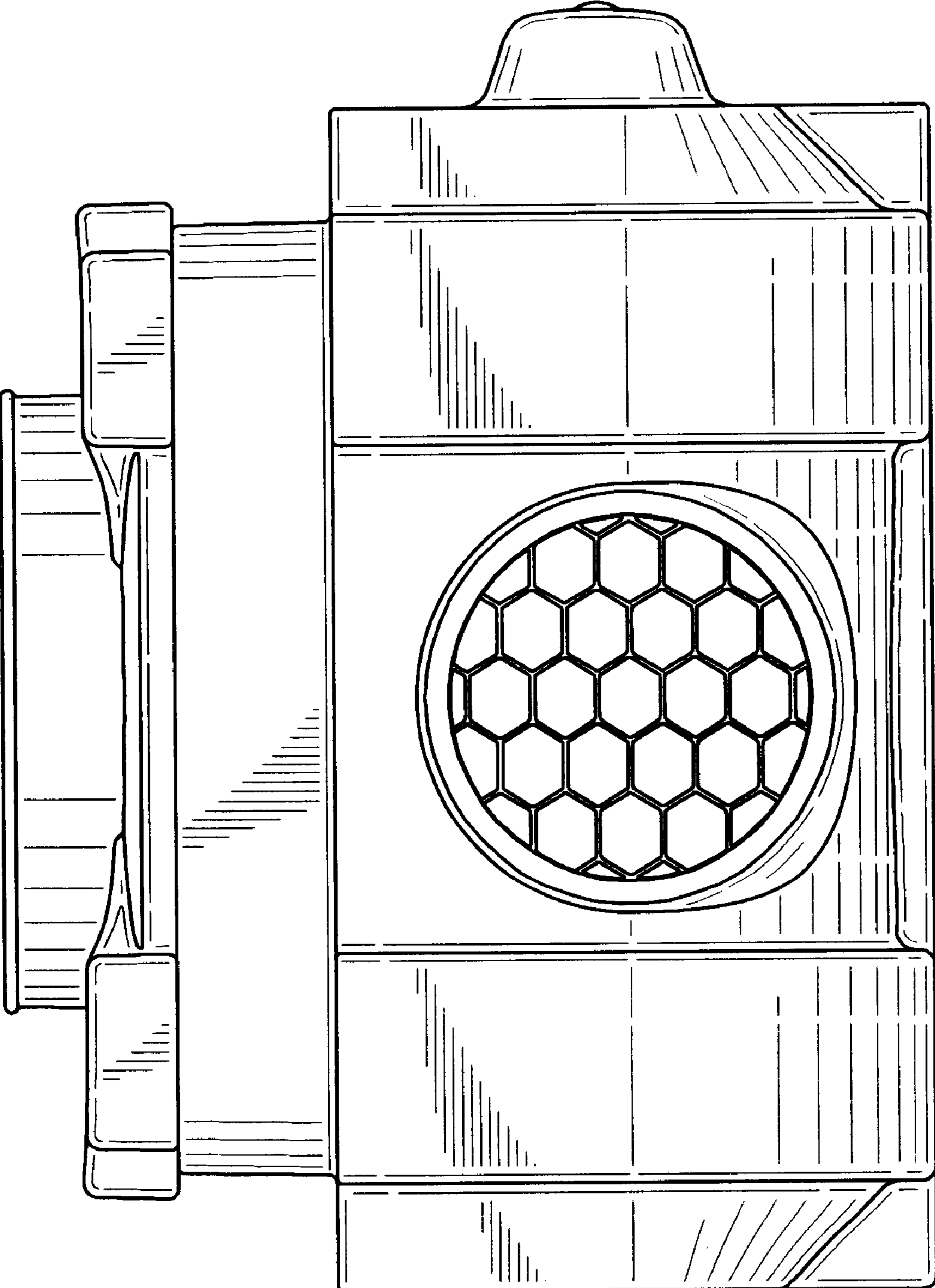


FIG. 3

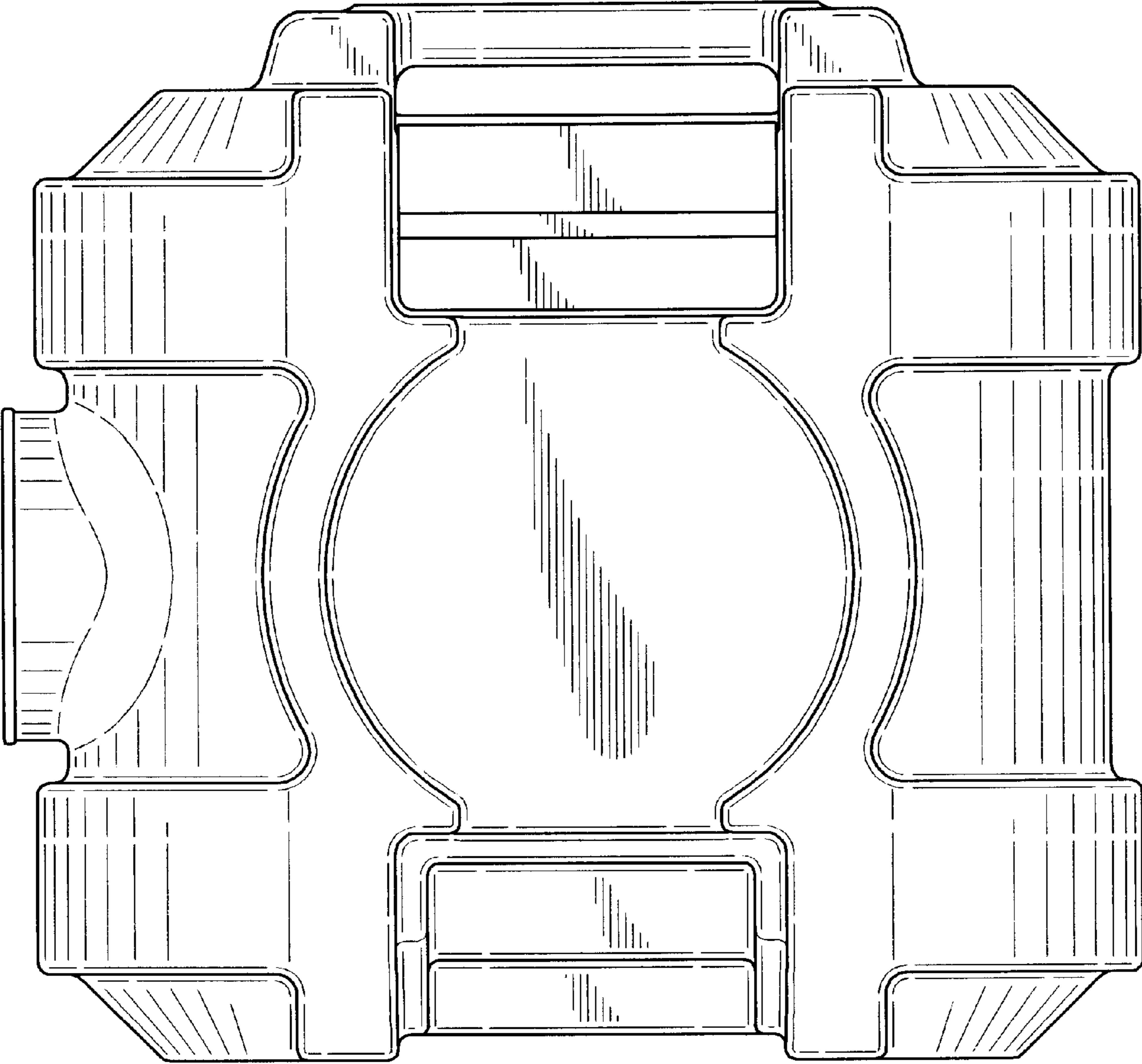


FIG. 4

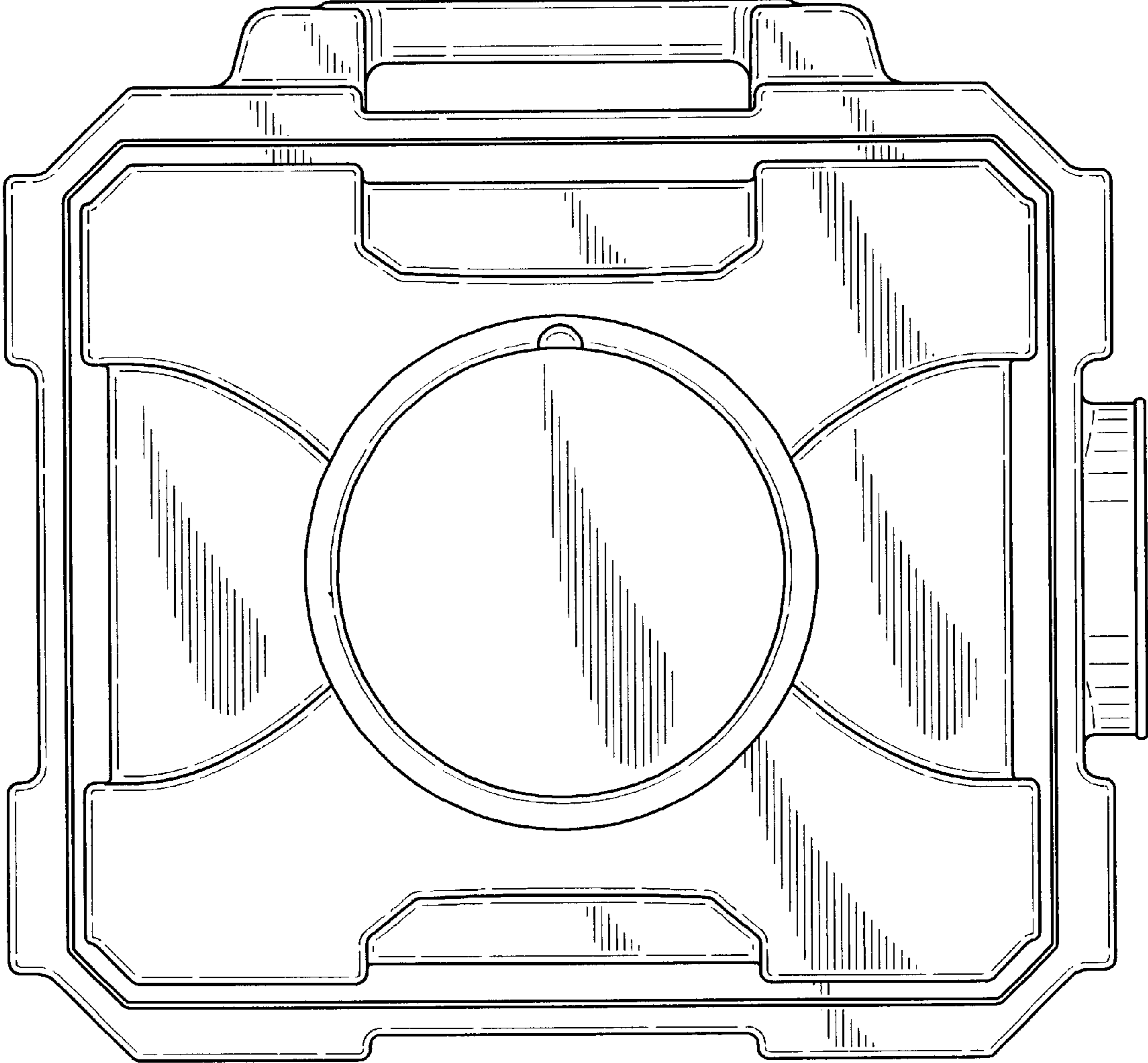


FIG. 5

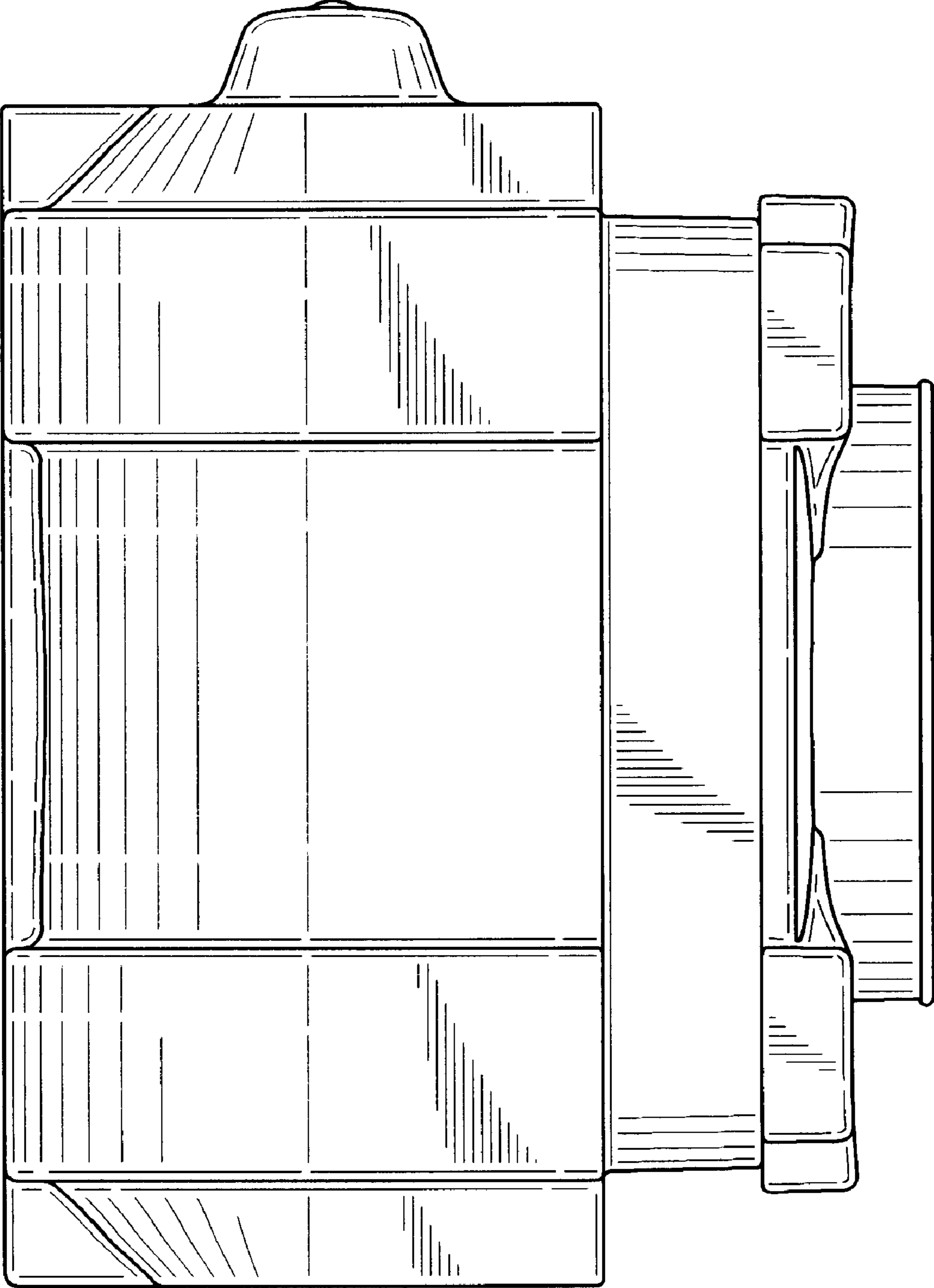


FIG. 6

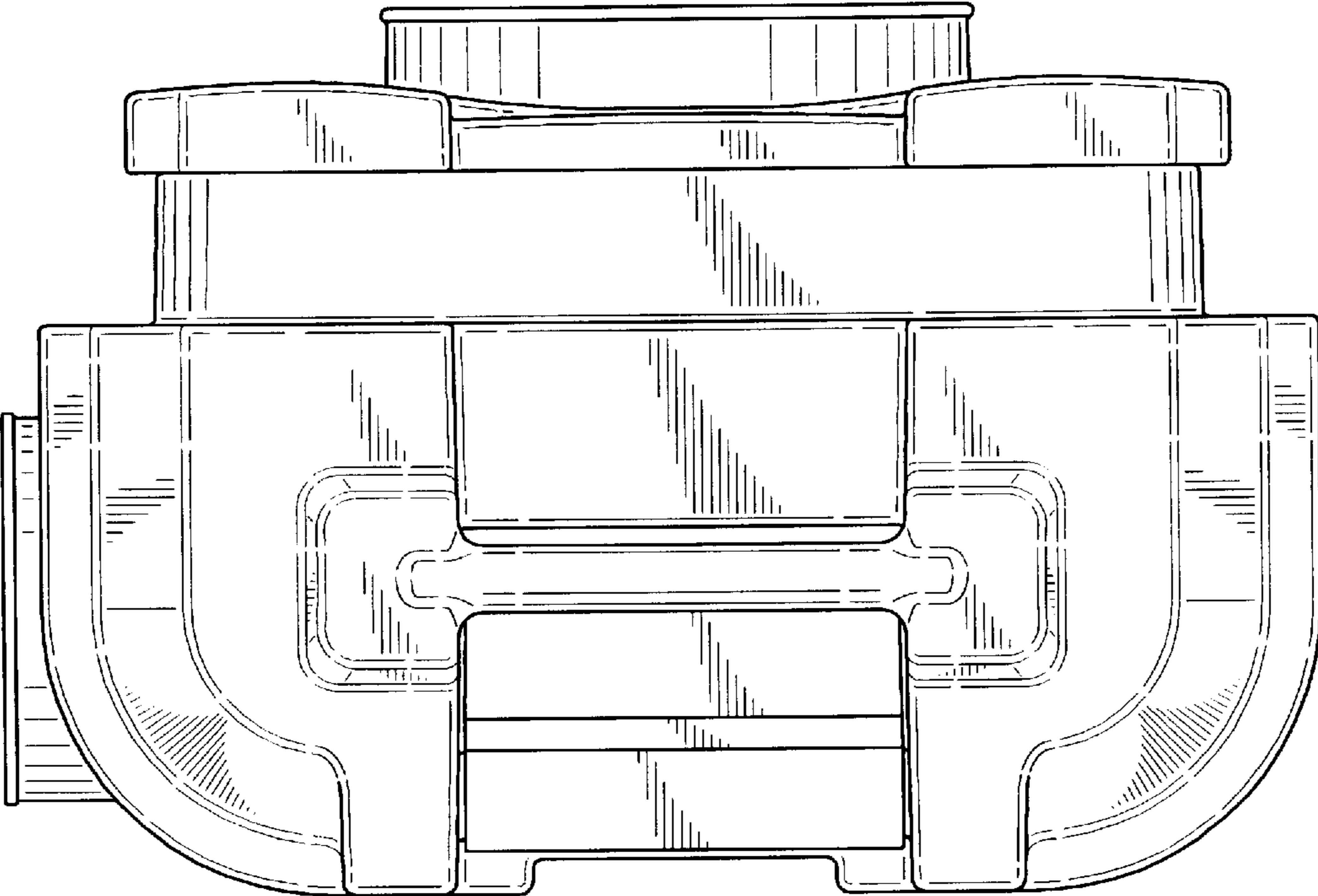


FIG. 7

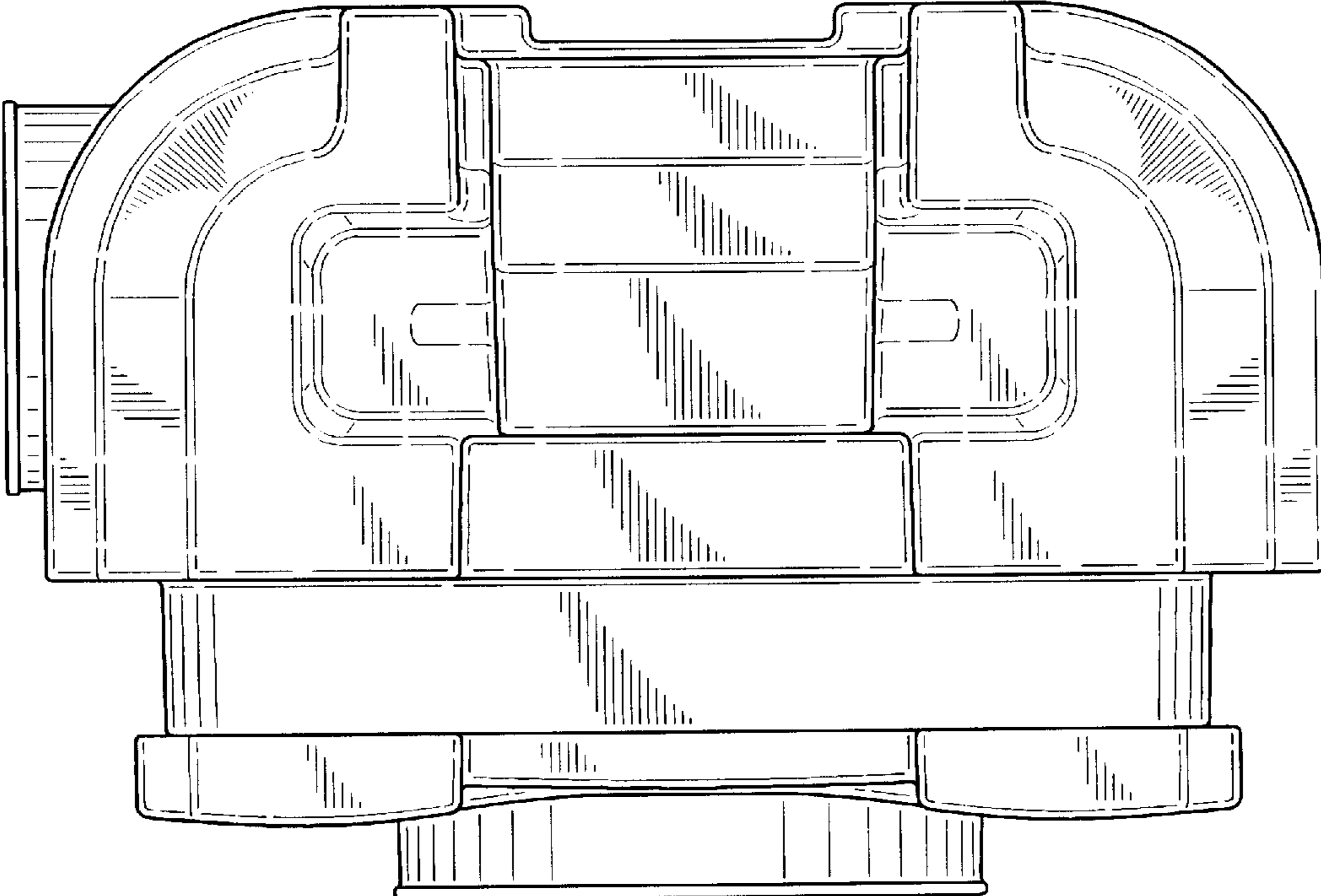


FIG. 8

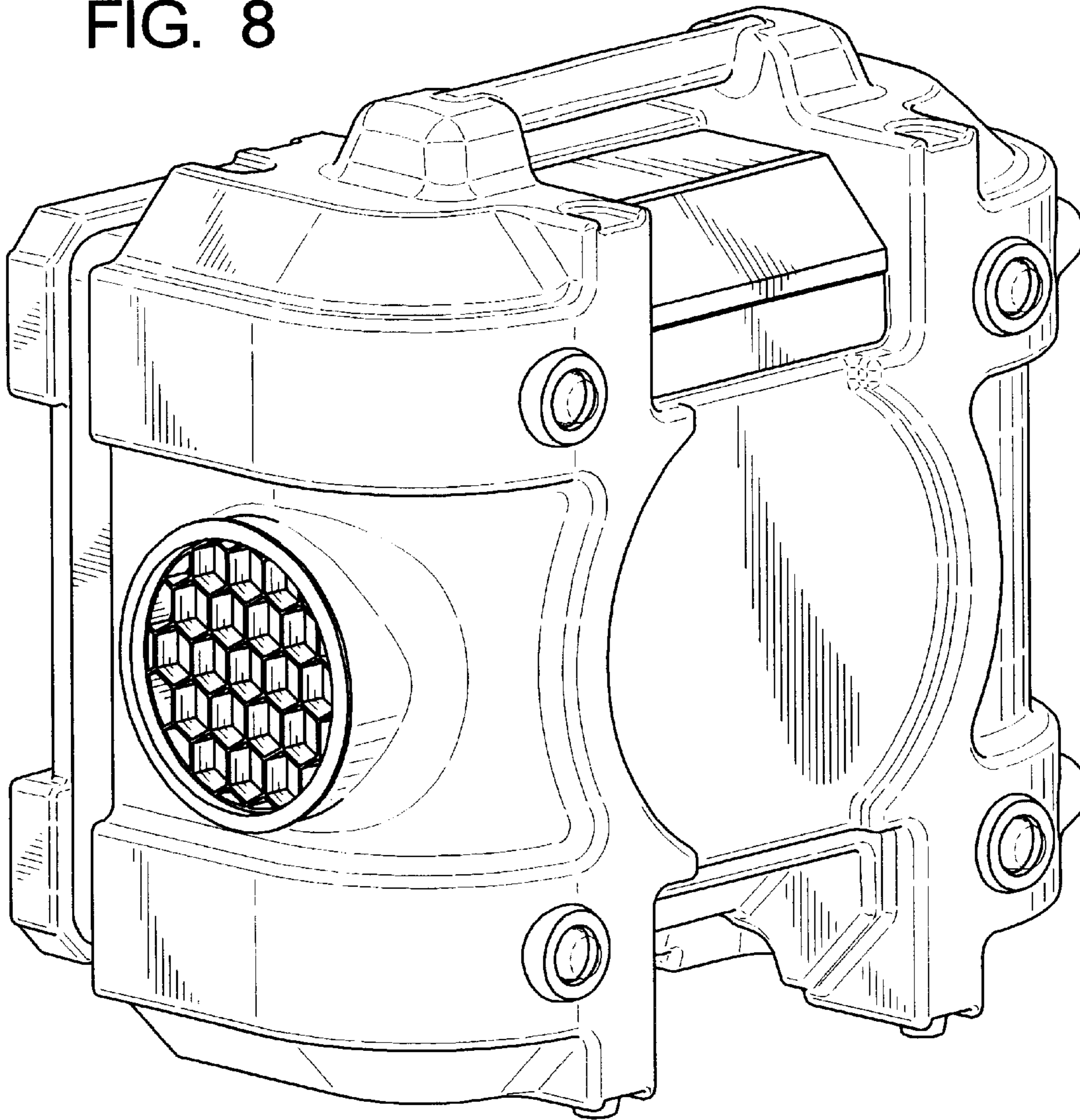


FIG. 9

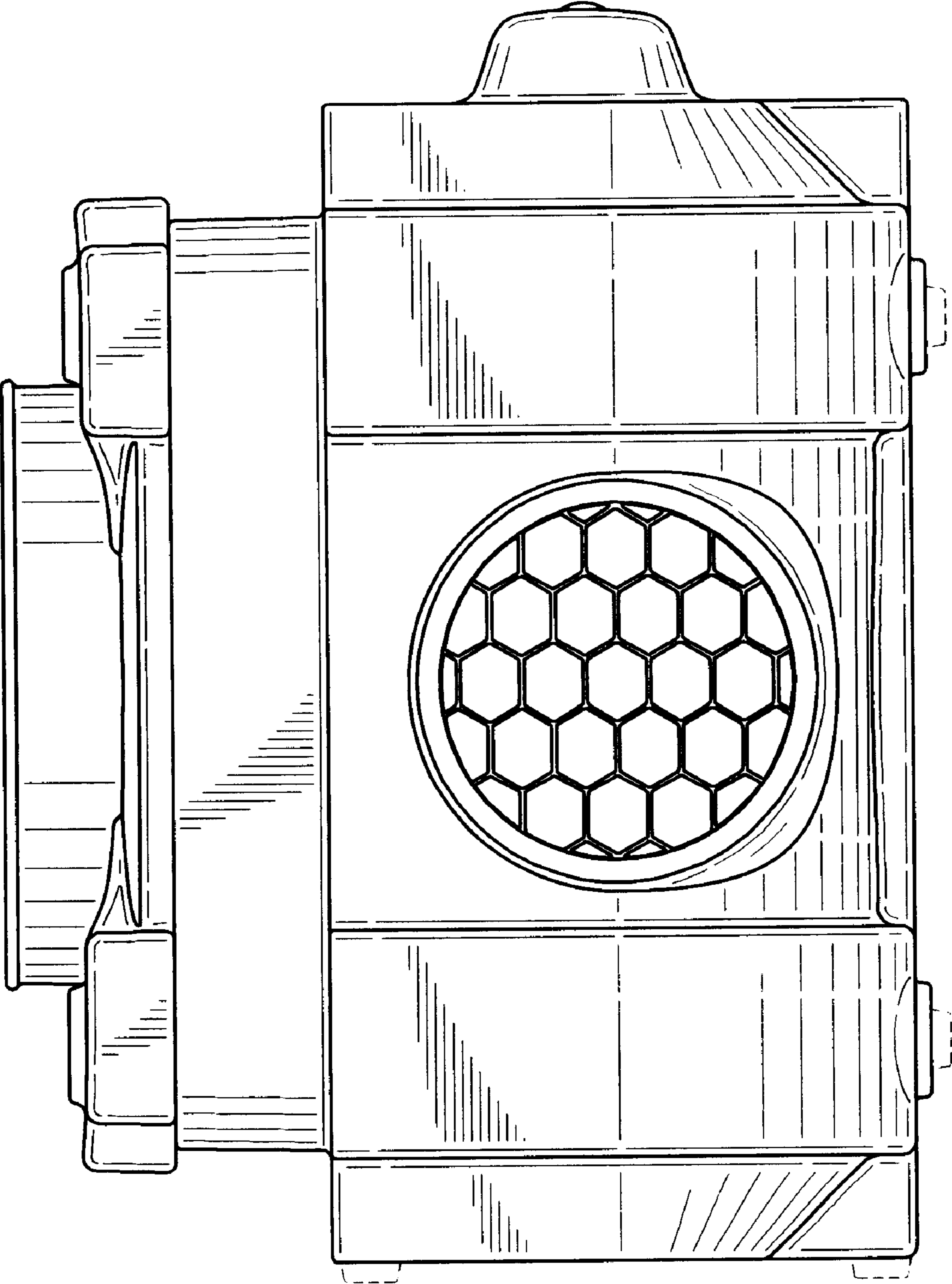


FIG. 10

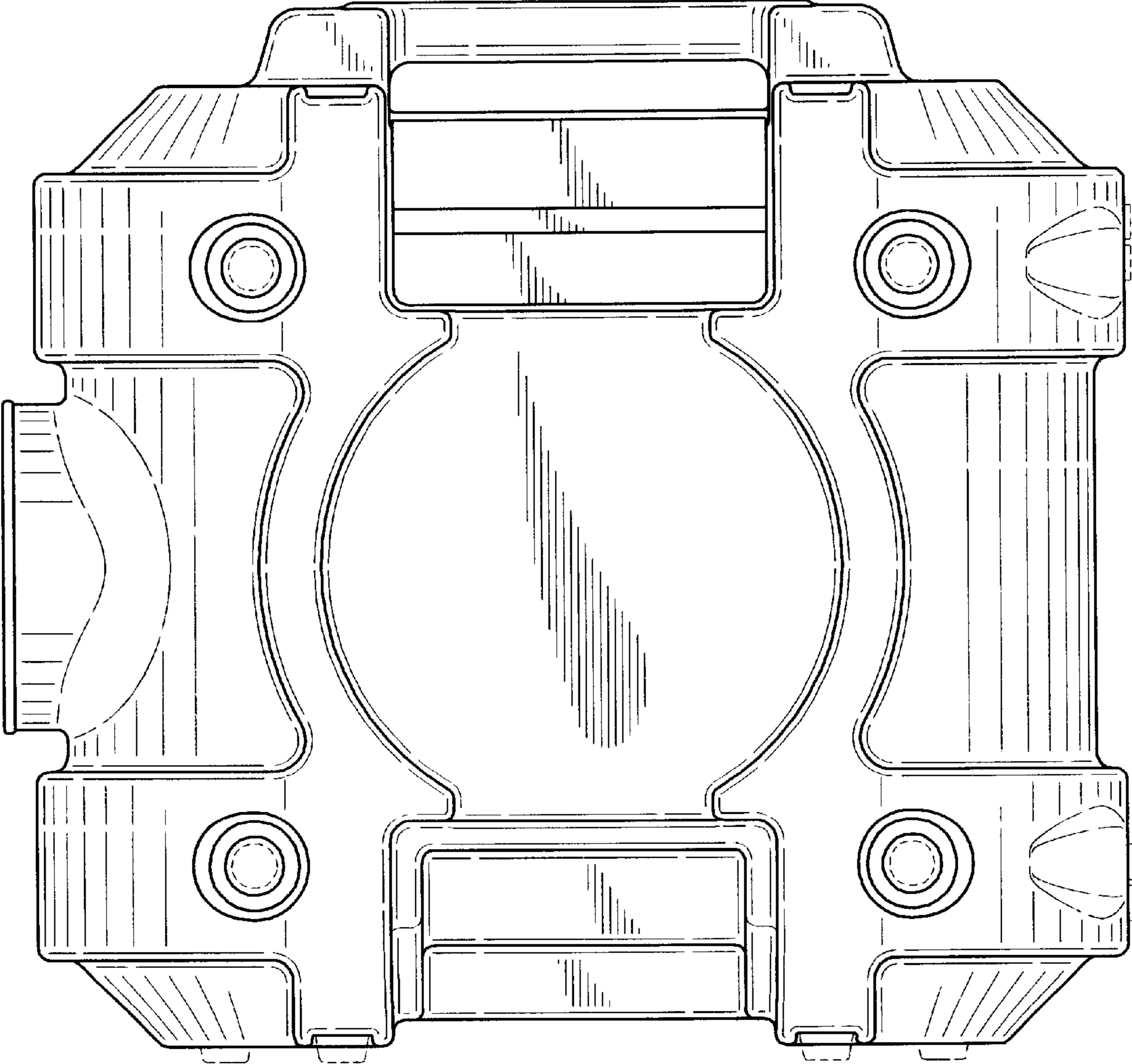


FIG. 11

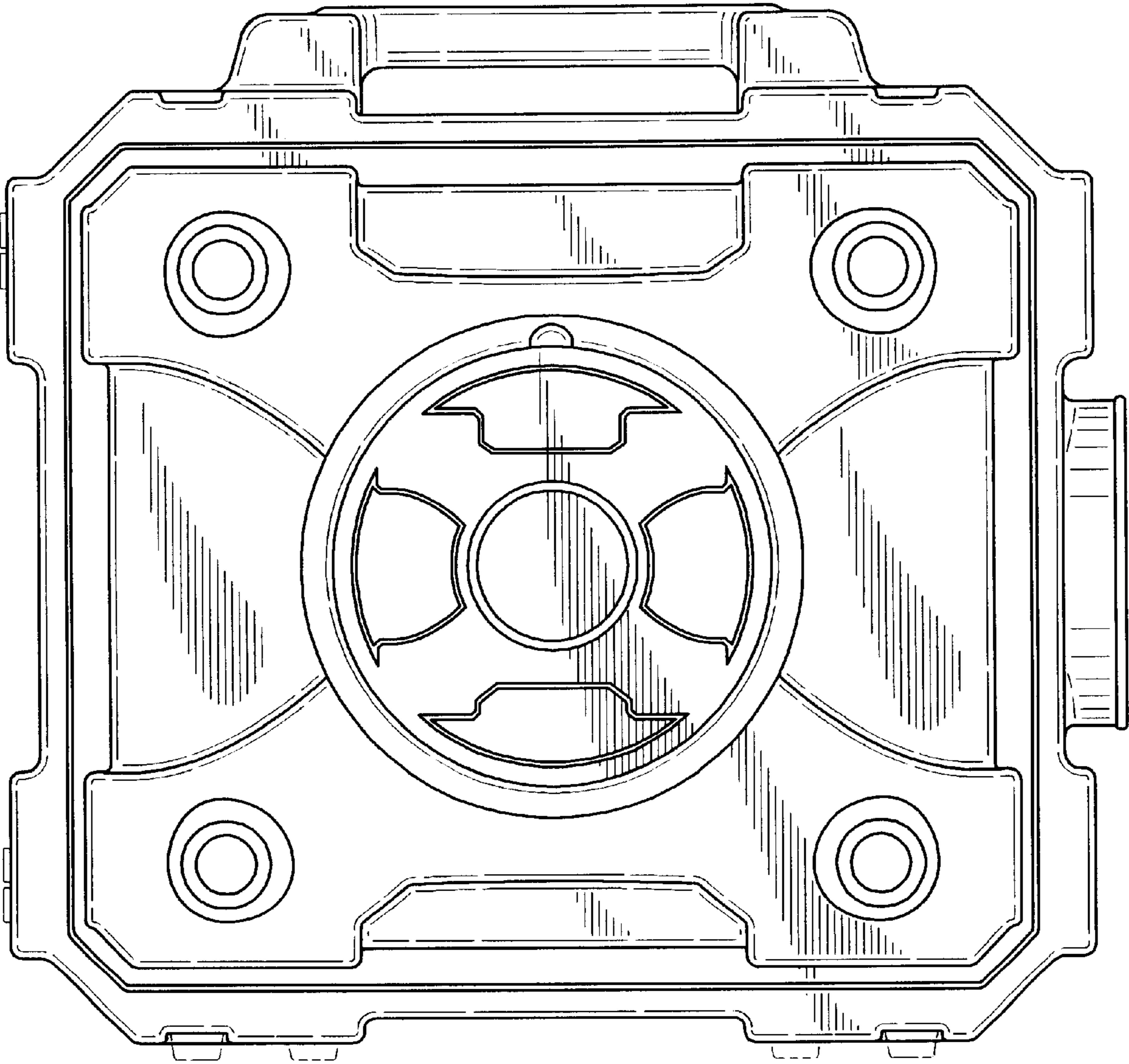


FIG. 12

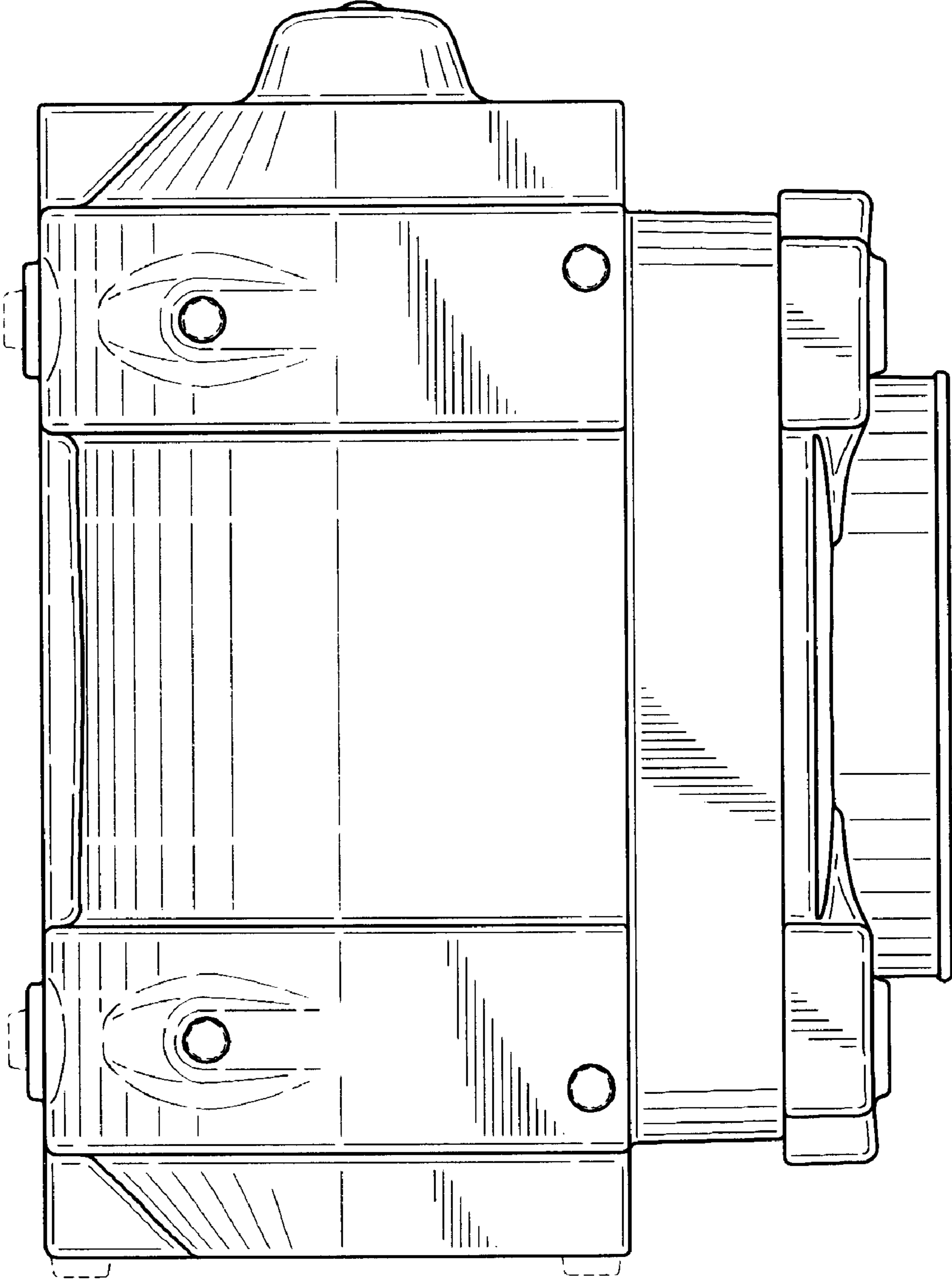


FIG. 13

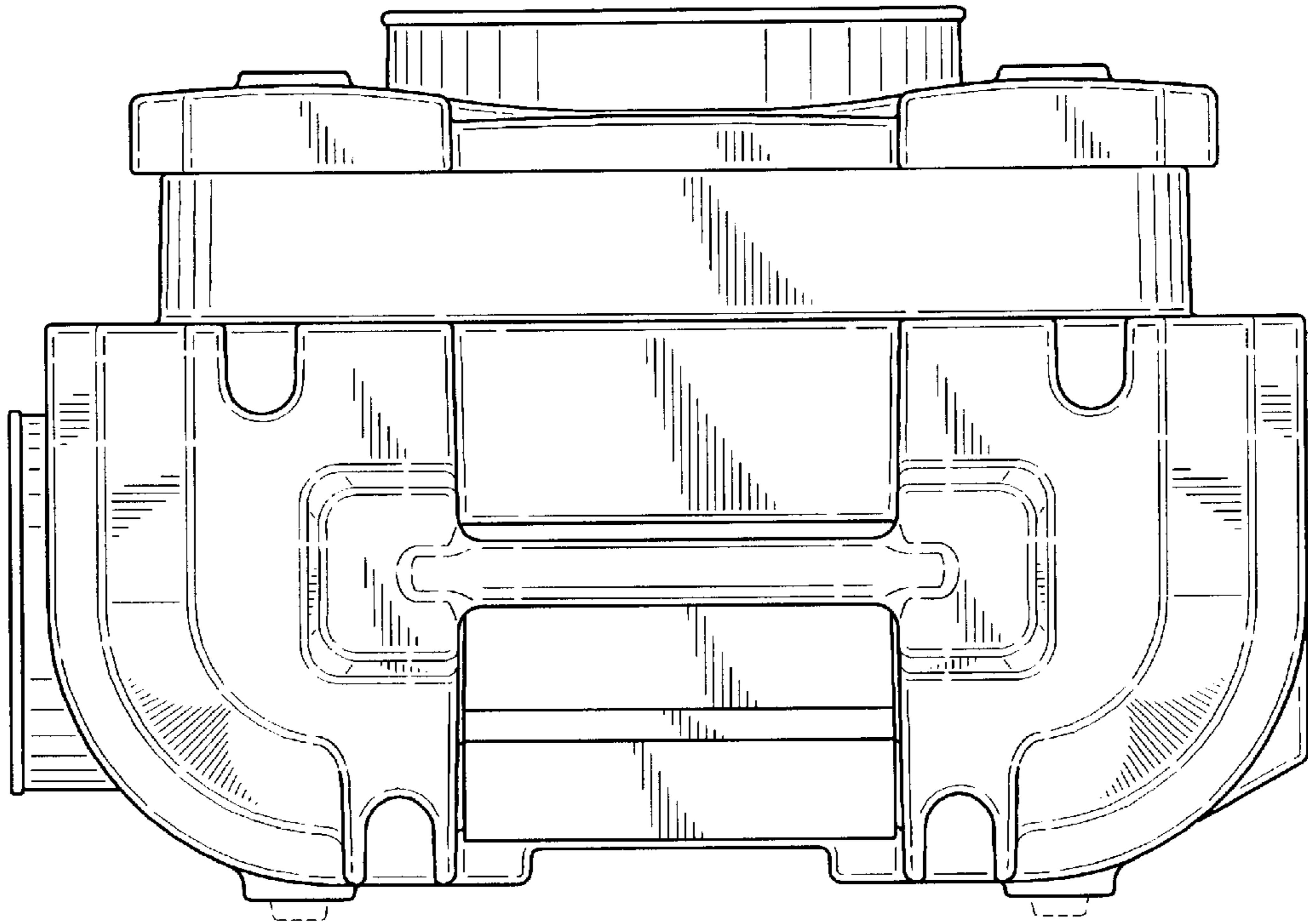


FIG. 14

