



US00D515188S

(12) **United States Design Patent**
Schalansky et al.

(10) **Patent No.:** **US D515,188 S**
(45) **Date of Patent:** **** Feb. 14, 2006**

(54) **SAMPLING CANISTER**

(76) Inventors: **Carl Schalansky**, 29 River Bluff La.,
Carmichael, CA (US) 95608; **Nathan
Emmett**, 3104 Boulder Creek Way,
Antelope, CA (US) 95843

(**) Term: **14 Years**

(21) Appl. No.: **29/156,722**

(22) Filed: **Mar. 5, 2002**

(51) **LOC (8) Cl.** **23-04**

(52) **U.S. Cl.** **D23/355; D24/232**

(58) **Field of Classification Search** **D23/355,**
D23/364, 365; D24/232; 73/28.04, 28.05,
73/863.21, 863.22

See application file for complete search history.

(56) **References Cited**

U.S. PATENT DOCUMENTS

5,201,231 A * 4/1993 Smith 73/863.22
5,693,895 A * 12/1997 Baxter 73/863.22

6,272,937 B1 * 8/2001 Mengel et al. 73/863.21
6,472,203 B1 * 10/2002 Gallup et al. 435/309.1
6,550,347 B1 * 4/2003 Bradley 73/863.21
6,729,196 B1 * 5/2004 Moler et al. 73/863.22

* cited by examiner

Primary Examiner—Robin V. Taylor

(74) *Attorney, Agent, or Firm*—McHale & Slavin,P.A.

(57) **CLAIM**

The ornamental design for a sampling canister, as shown and described.

DESCRIPTION

FIG. 1 is a front perspective view of the sampling canister of the instant invention;

FIG. 2 is a rear perspective view thereof;

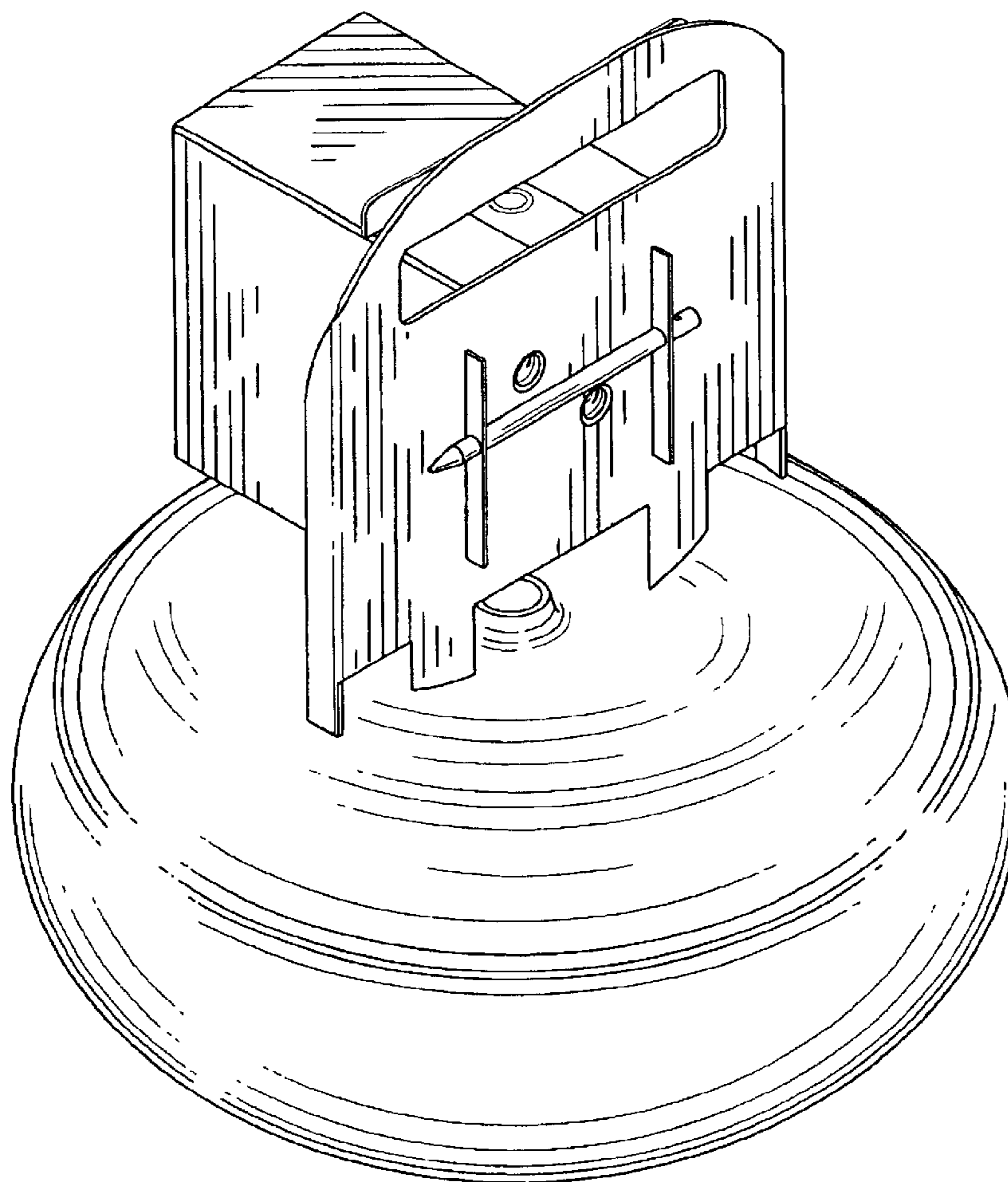
FIG. 3 is a front plane view thereof;

FIG. 4 is a left side view, the side view forming a mirror image thereof;

FIG. 5 is a top plane view thereof; and,

FIG. 6 is a back plane view thereof.

1 Claim, 6 Drawing Sheets



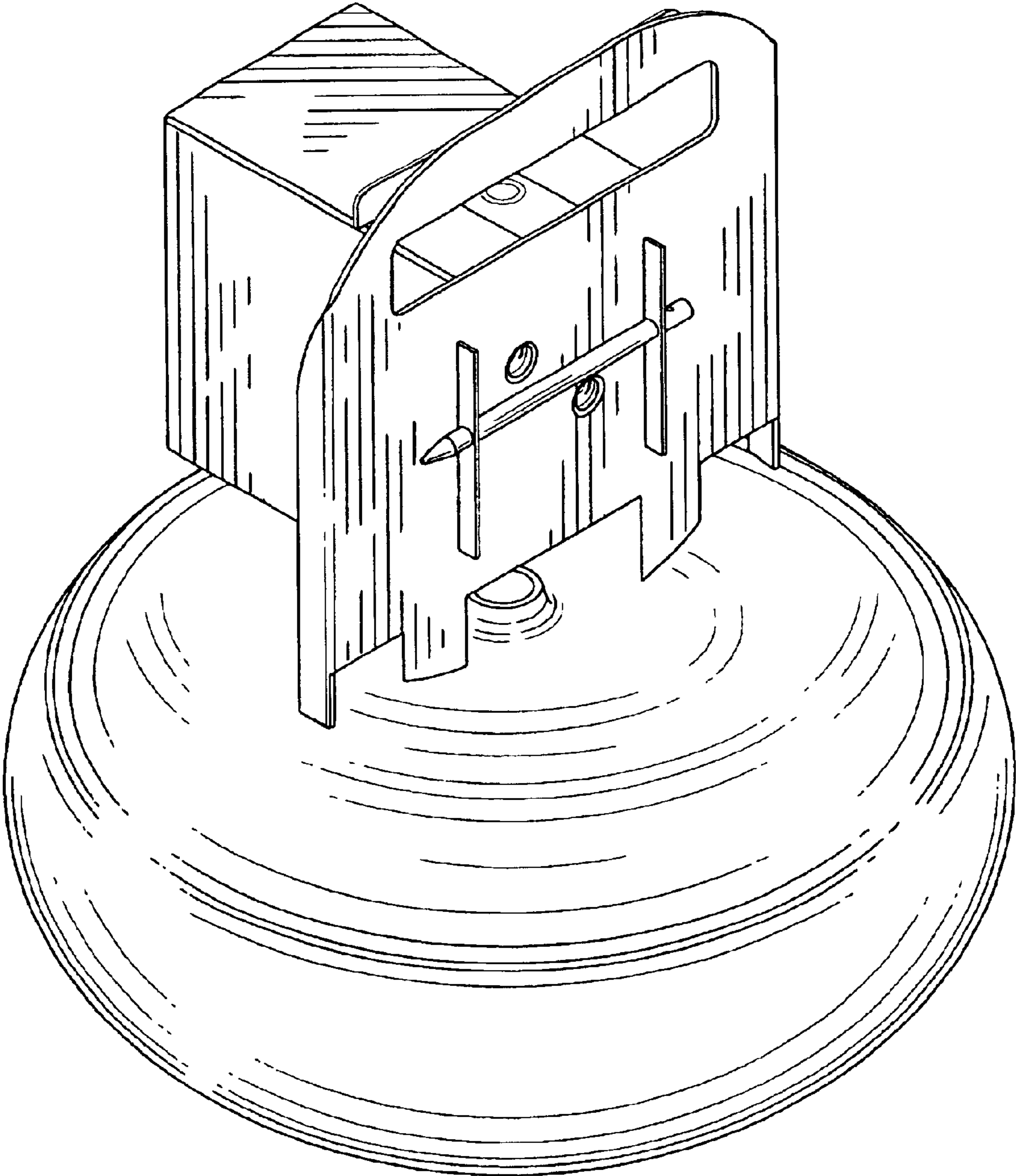


FIG. 1

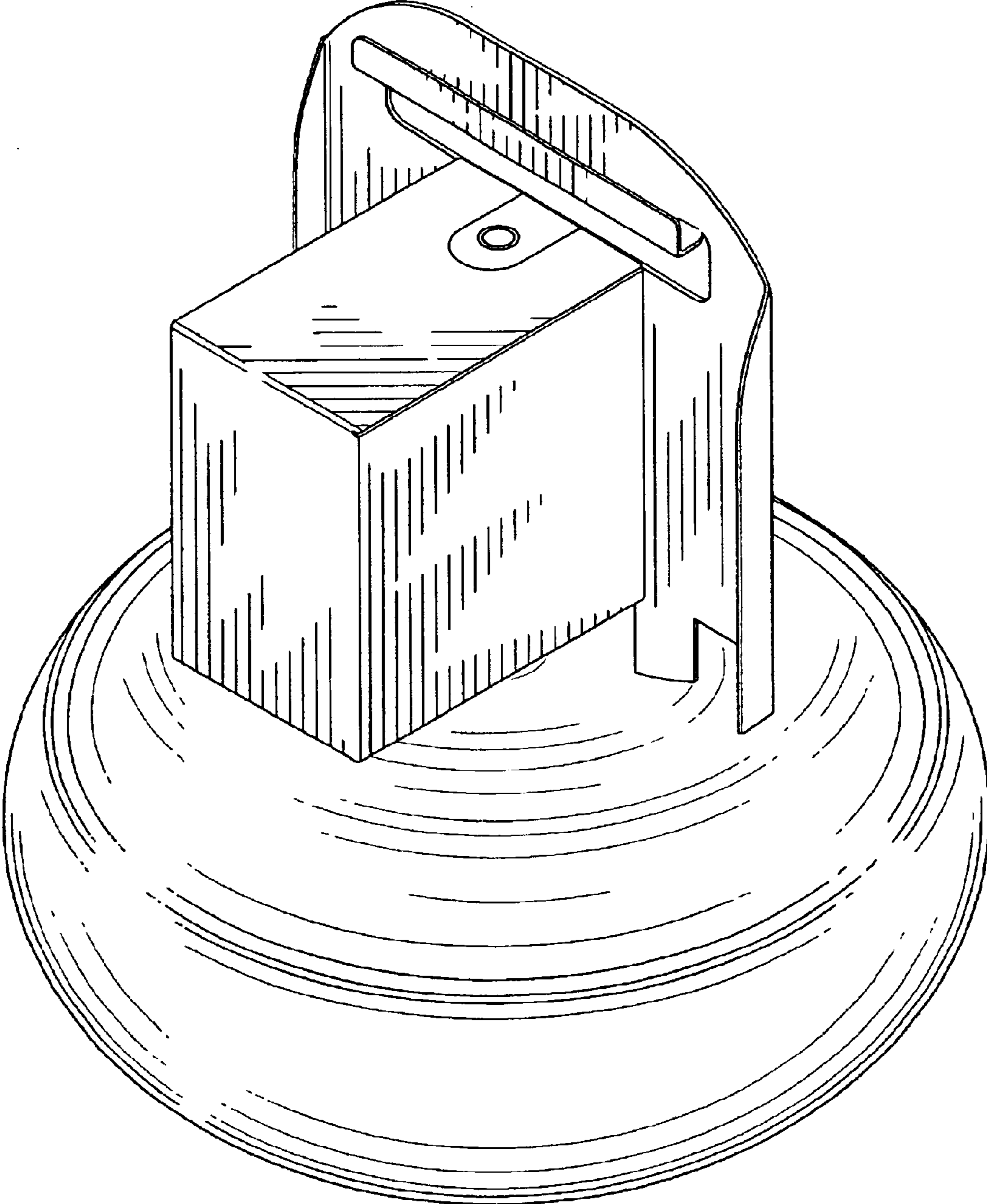


FIG. 2

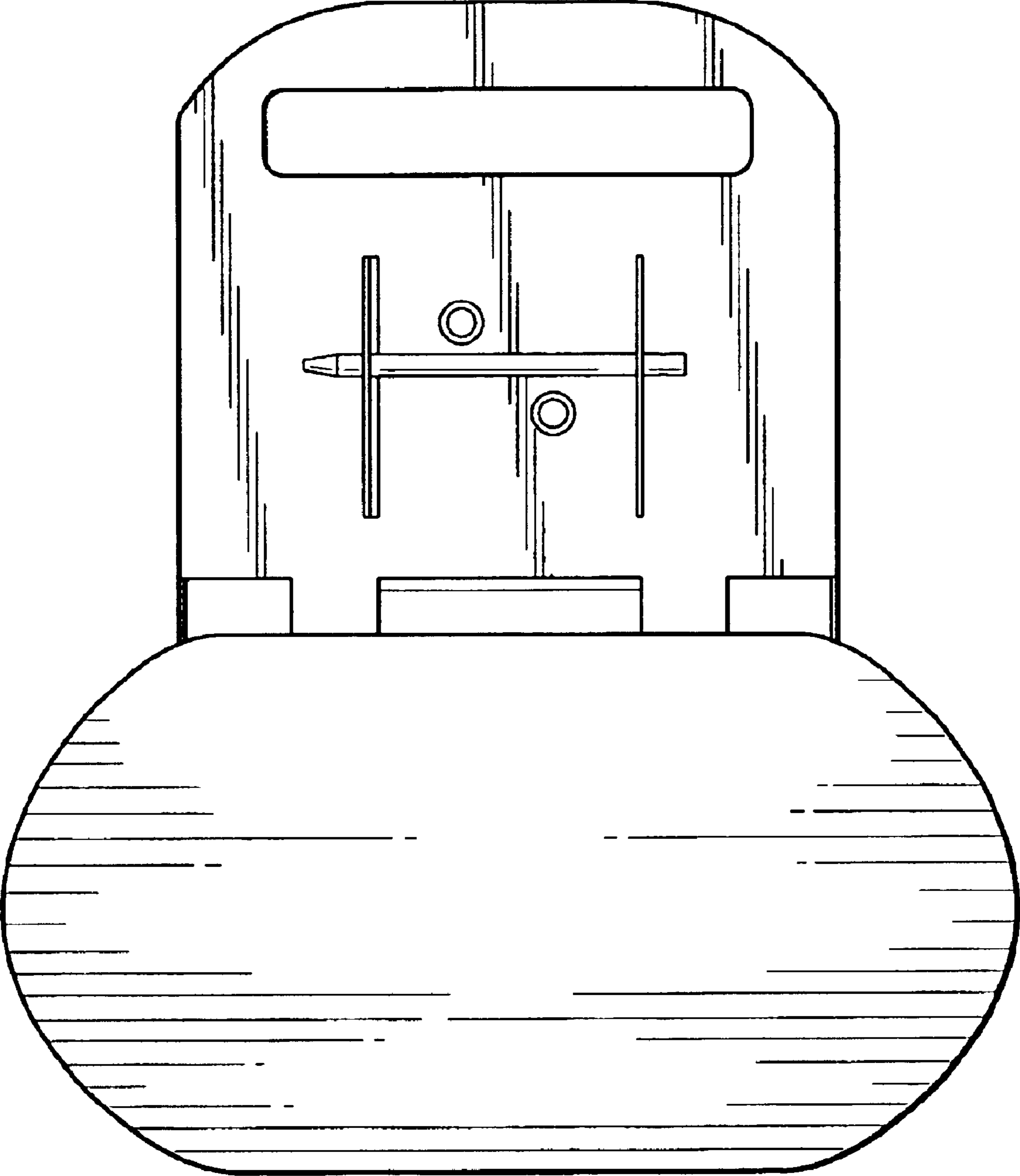


FIG. 3

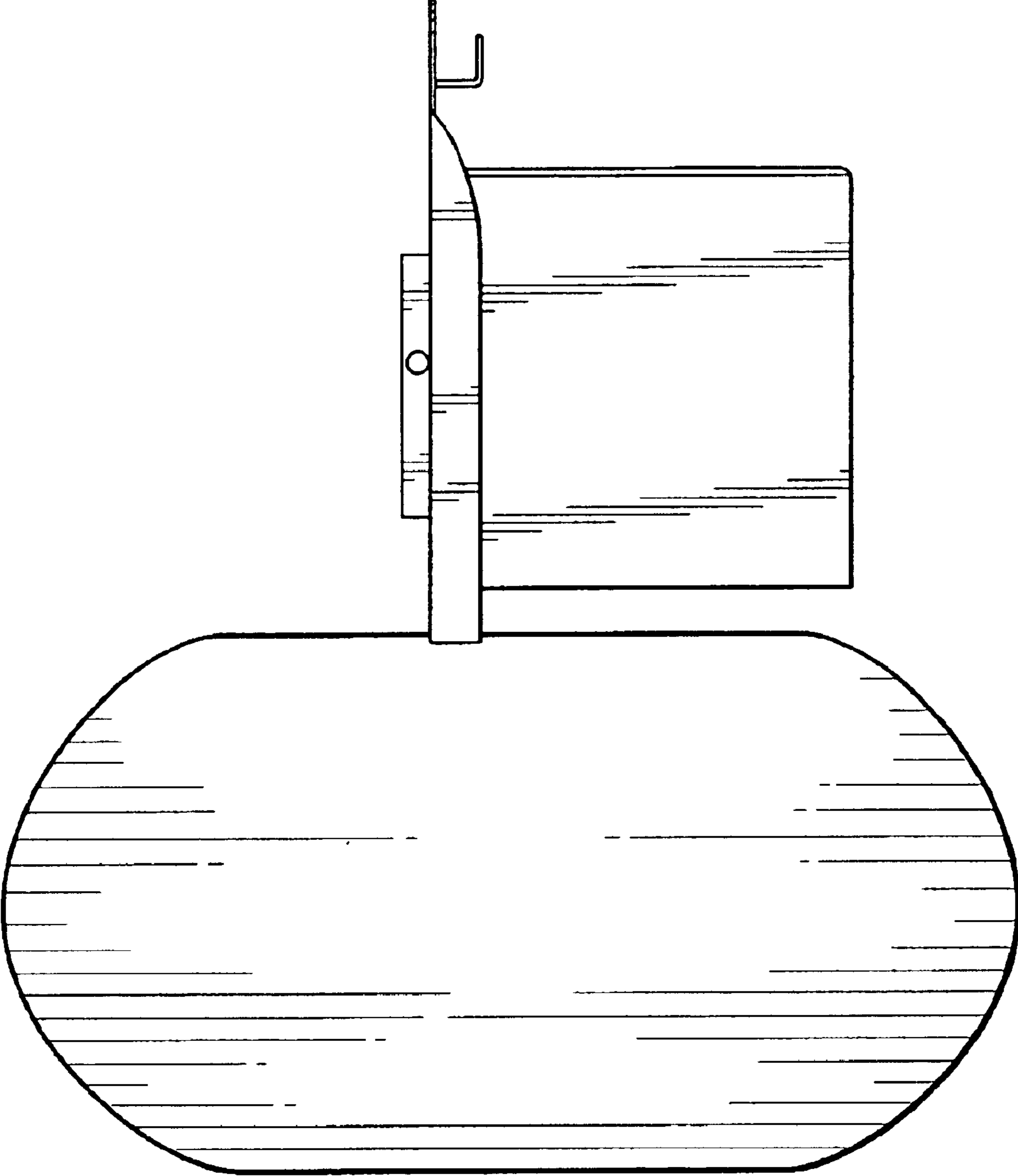


FIG. 4

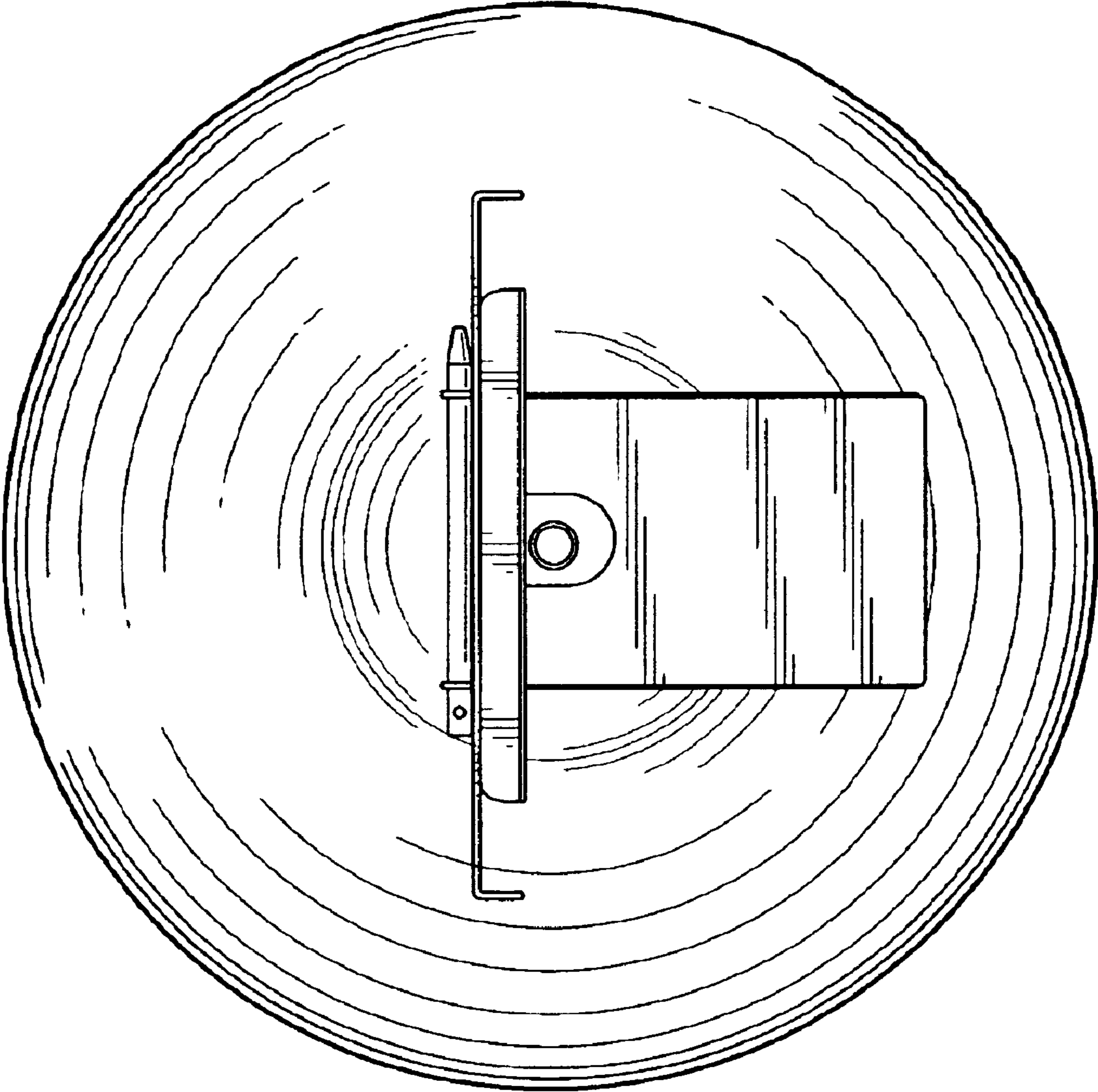


FIG. 5

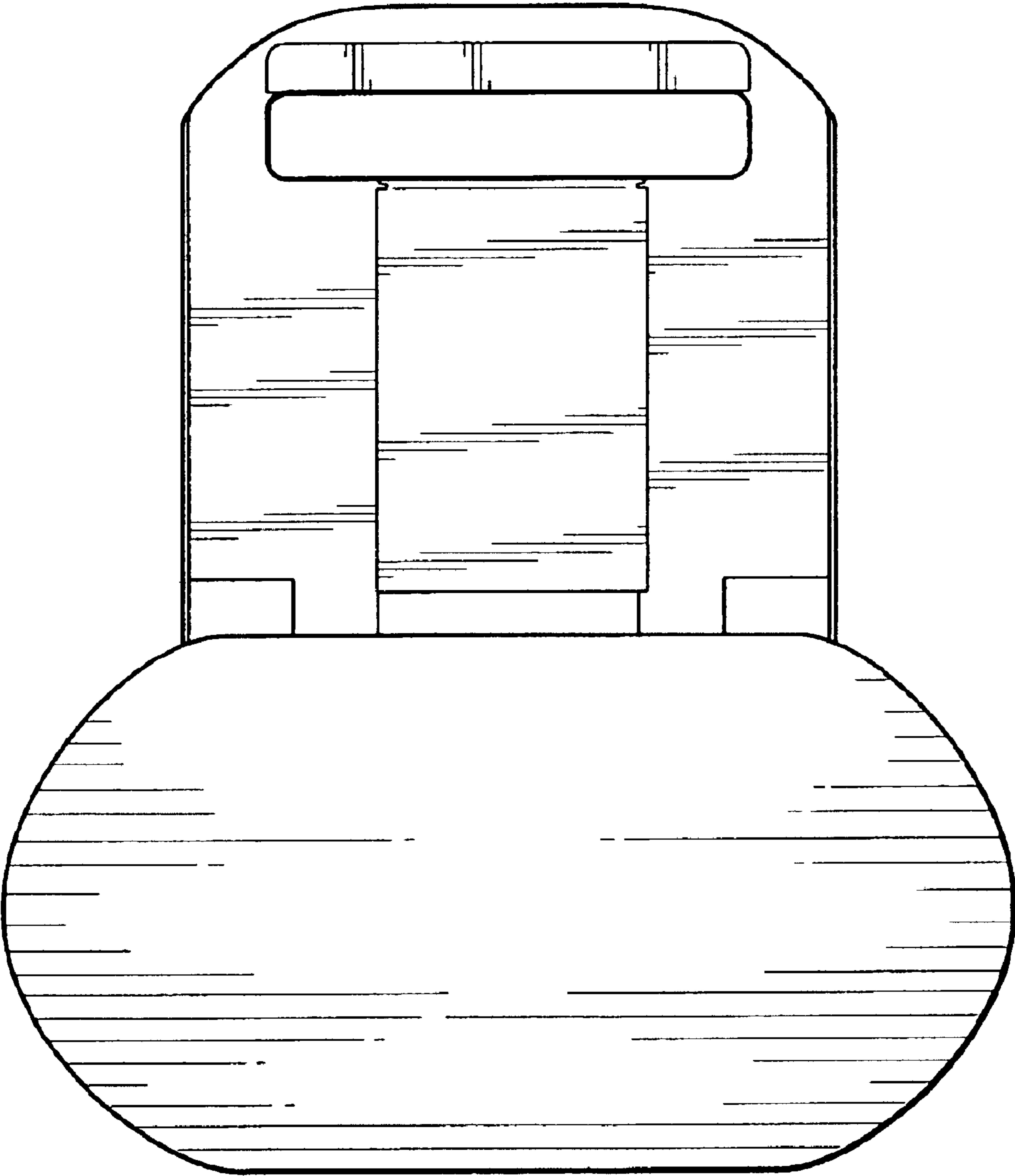


FIG. 6