



US00D515186S

(12) **United States Design Patent**
Lanius

(10) **Patent No.:** **US D515,186 S**
(45) **Date of Patent:** **** Feb. 14, 2006**

(54) **WATER CLOSET**

(75) Inventor: **Jason T. Lanius**, Sheboygan, WI (US)

(73) Assignee: **Kohler Co.**, Kohler, WI (US)

(**) Term: **14 Years**

(21) Appl. No.: **29/225,803**

(22) Filed: **Mar. 21, 2005**

Related U.S. Application Data

(62) Division of application No. 29/202,010, filed on Mar. 24, 2004.

(51) **LOC (8) Cl.** **23-02**

(52) **U.S. Cl.** **D23/301**

(58) **Field of Classification Search** D23/270–271,
D23/273–274, 295, 299, 301, 303, 309; 4/663–664,
4/300, 329, 420, 449, DIG. 15, 443–446
See application file for complete search history.

(56) **References Cited**

U.S. PATENT DOCUMENTS

D451,175 S 11/2001 Smith D23/301
D455,822 S 4/2002 McKeone D23/301

OTHER PUBLICATIONS

2000 Kohler catalog ad, p. 15.15, showing a “Memoirs” toilet.
2001 Kallista catalog ad, p. 2.6, showing a “Michael Smith Town” toilet.
Undated BC Sanitan catalog ad showing a “Savoy” toilet.

Primary Examiner—Robert A Delehanty

(74) *Attorney, Agent, or Firm*—Quarles & Brady LLP

(57) **CLAIM**

The ornamental design for a water closet, as shown and described.

DESCRIPTION

In a preferred embodiment, the nature of this product is as a plumbing fixture in the form of a toilet primarily for receiving and disposing of human waste.

FIG. 1 is a left, top, front perspective view of a water closet embodying my new design;

FIG. 2 is a top plan view thereof;

FIG. 3 is a left side elevational view thereof;

FIG. 4 is a front elevational view thereof;

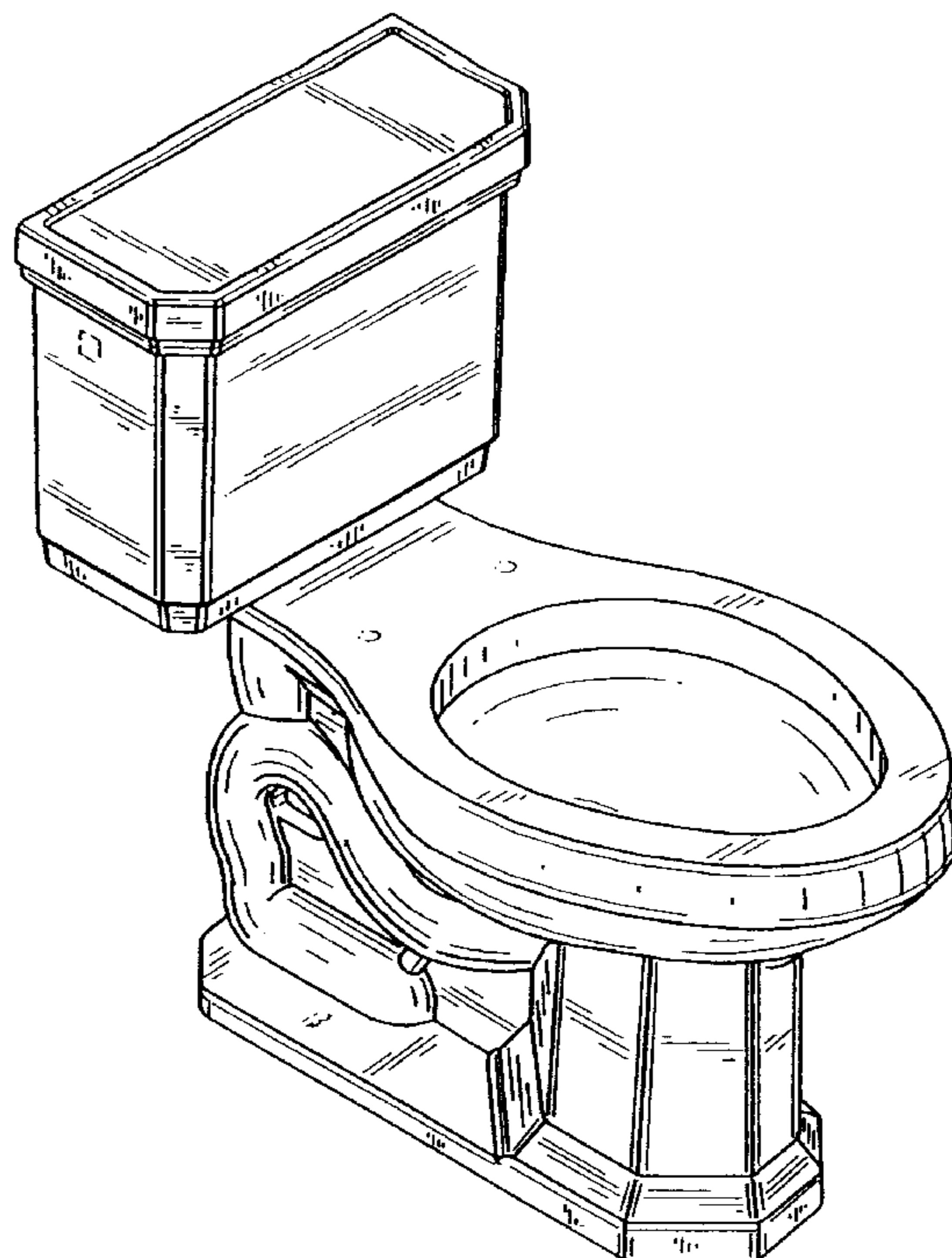
FIG. 5 is a right side elevational view thereof;

FIG. 6 is a bottom plan view thereof; and,

FIG. 7 is a rear elevational view thereof.

The broken line representations of holes in FIGS. 1–3, and 6, and bottom structure in FIG. 6, are for the purpose of illustration only, and form no part of the claimed design.

1 Claim, 4 Drawing Sheets



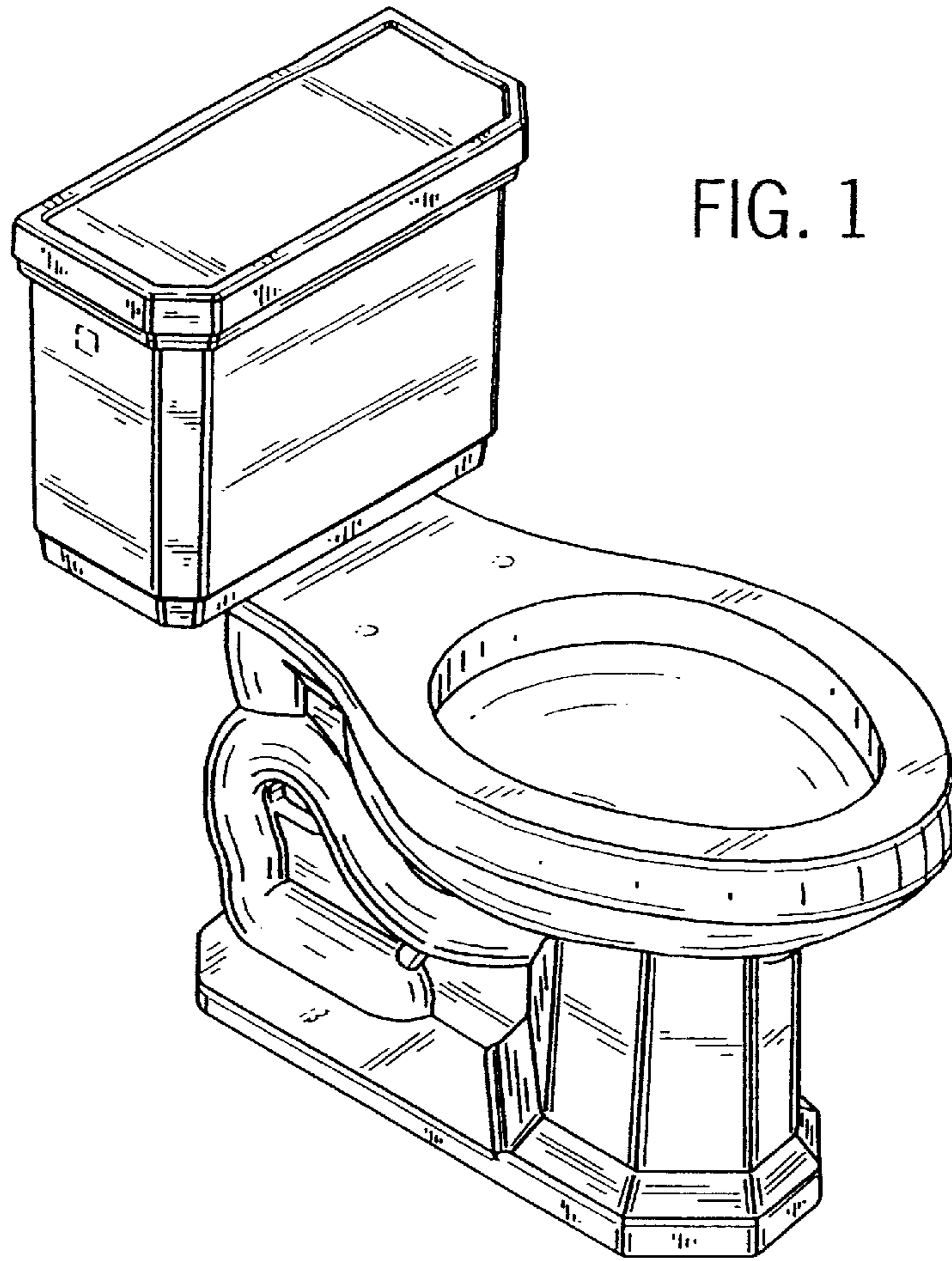
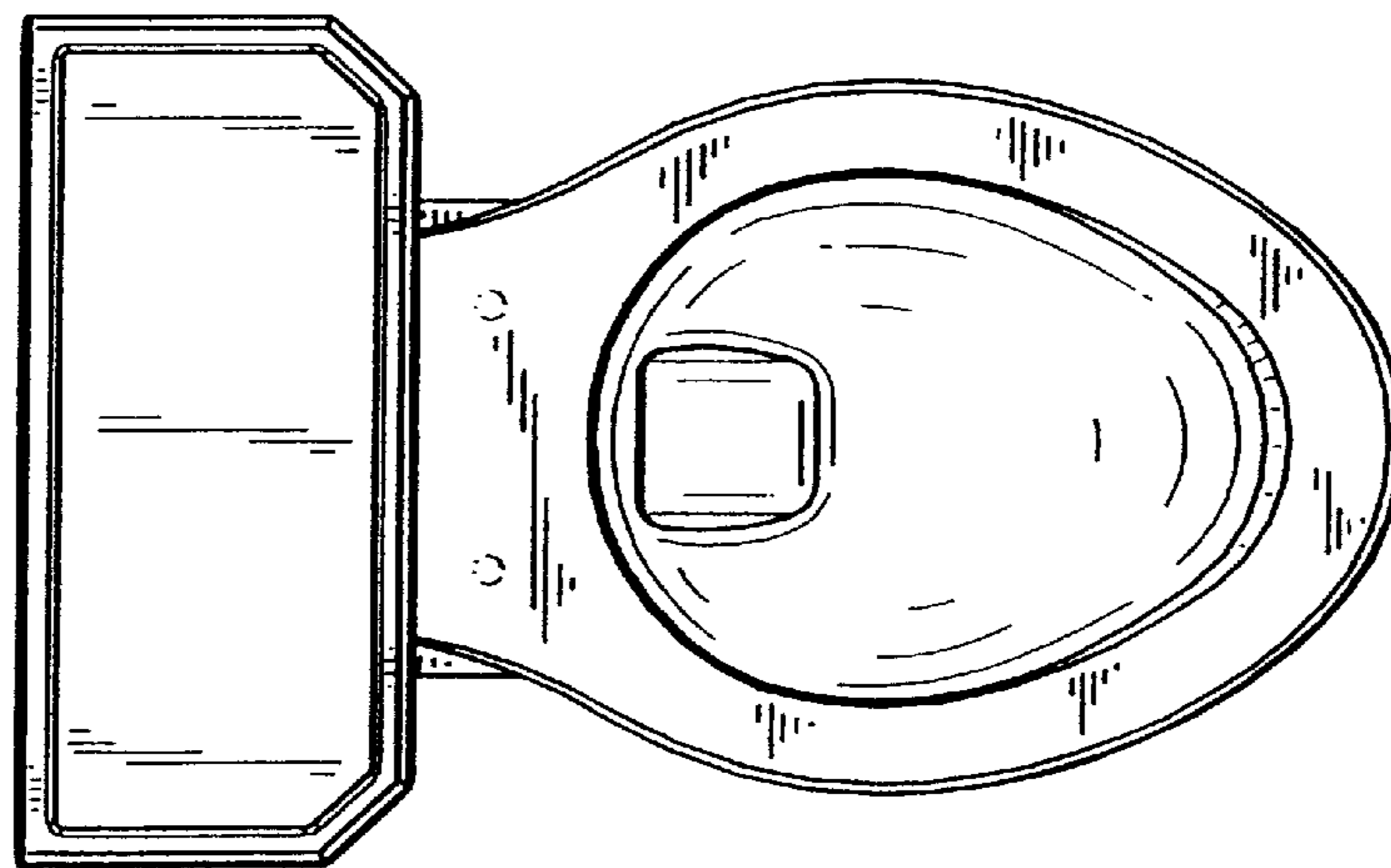


FIG. 1

FIG. 2



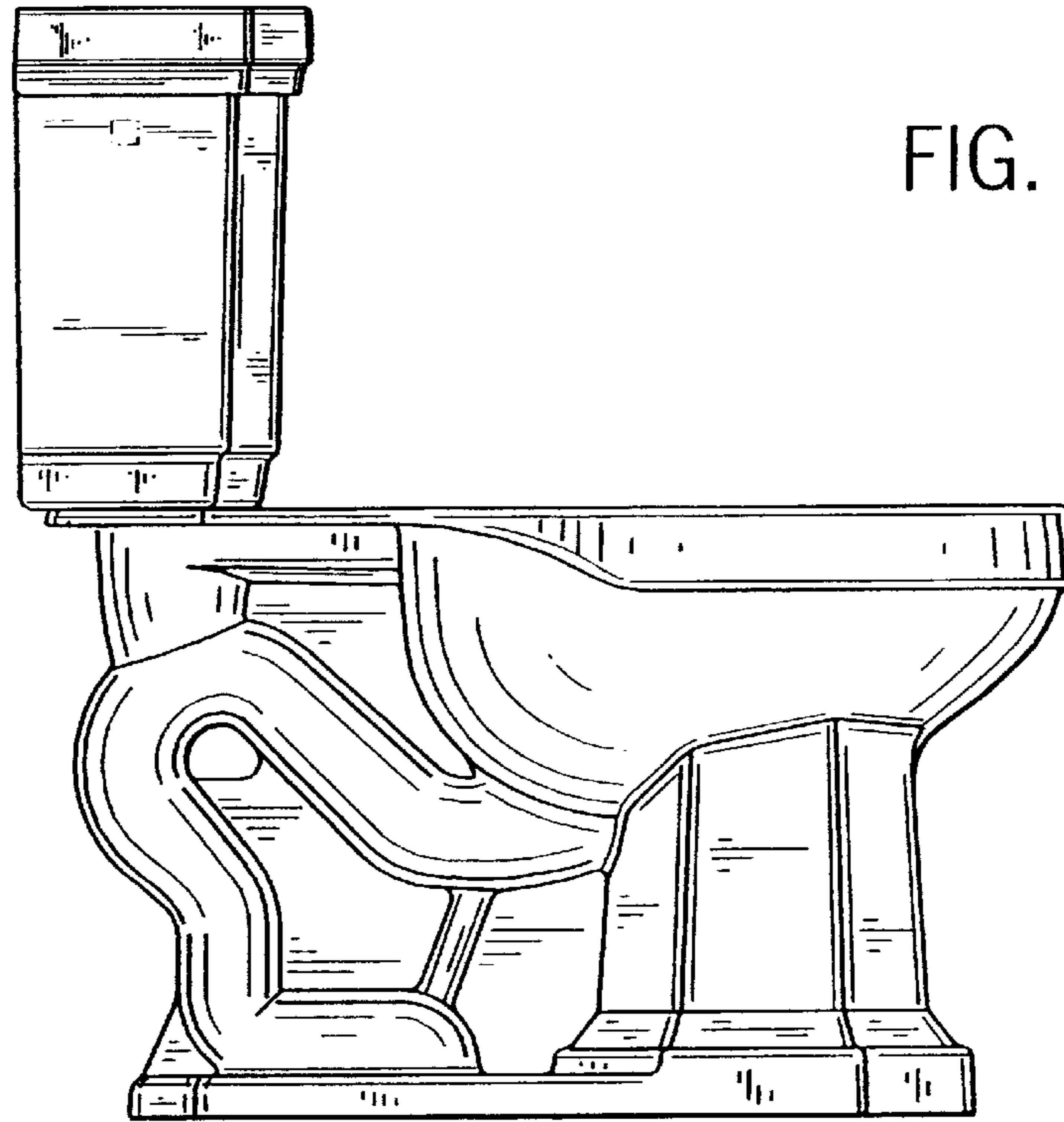


FIG. 3

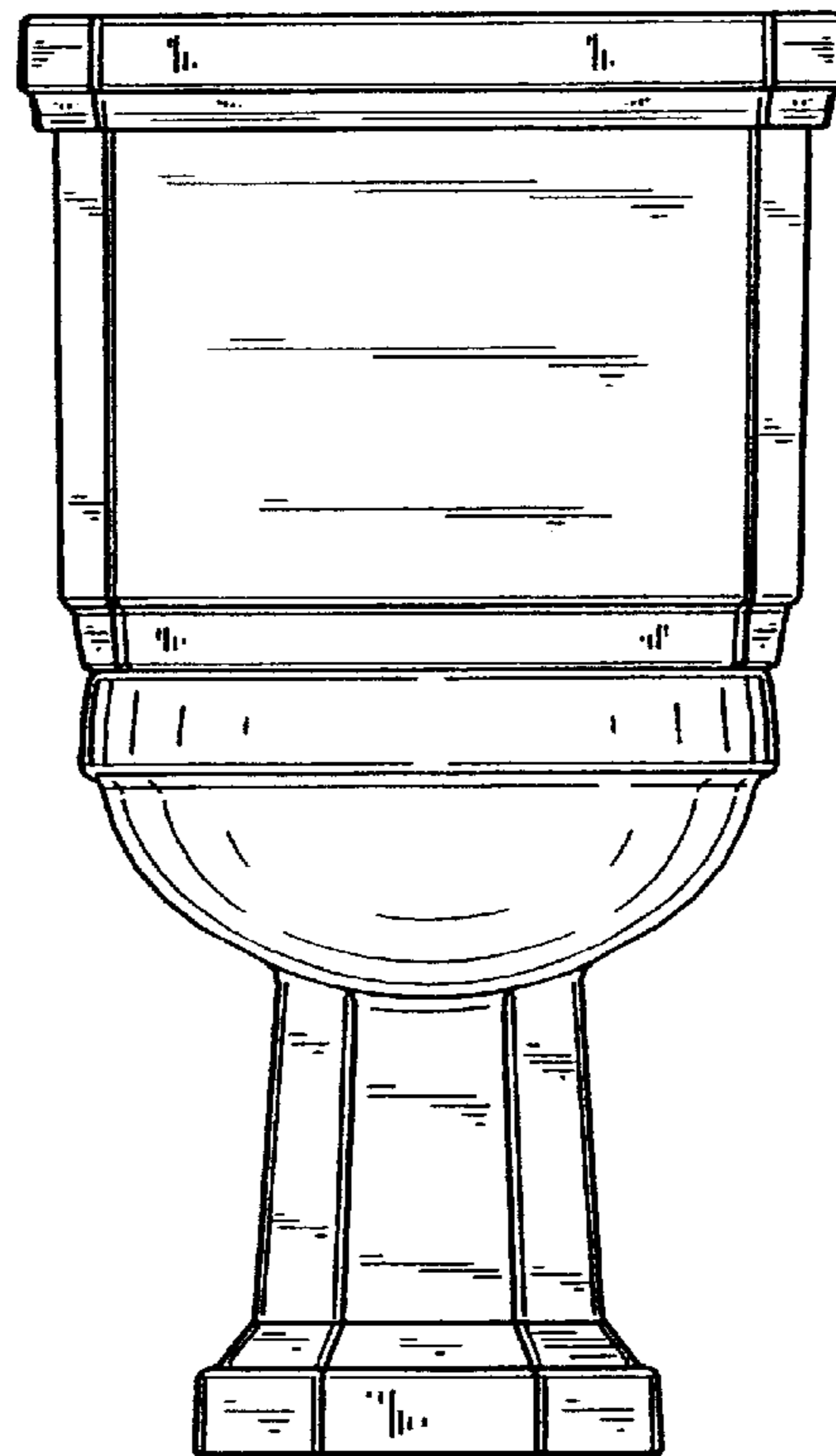


FIG. 4

FIG. 5

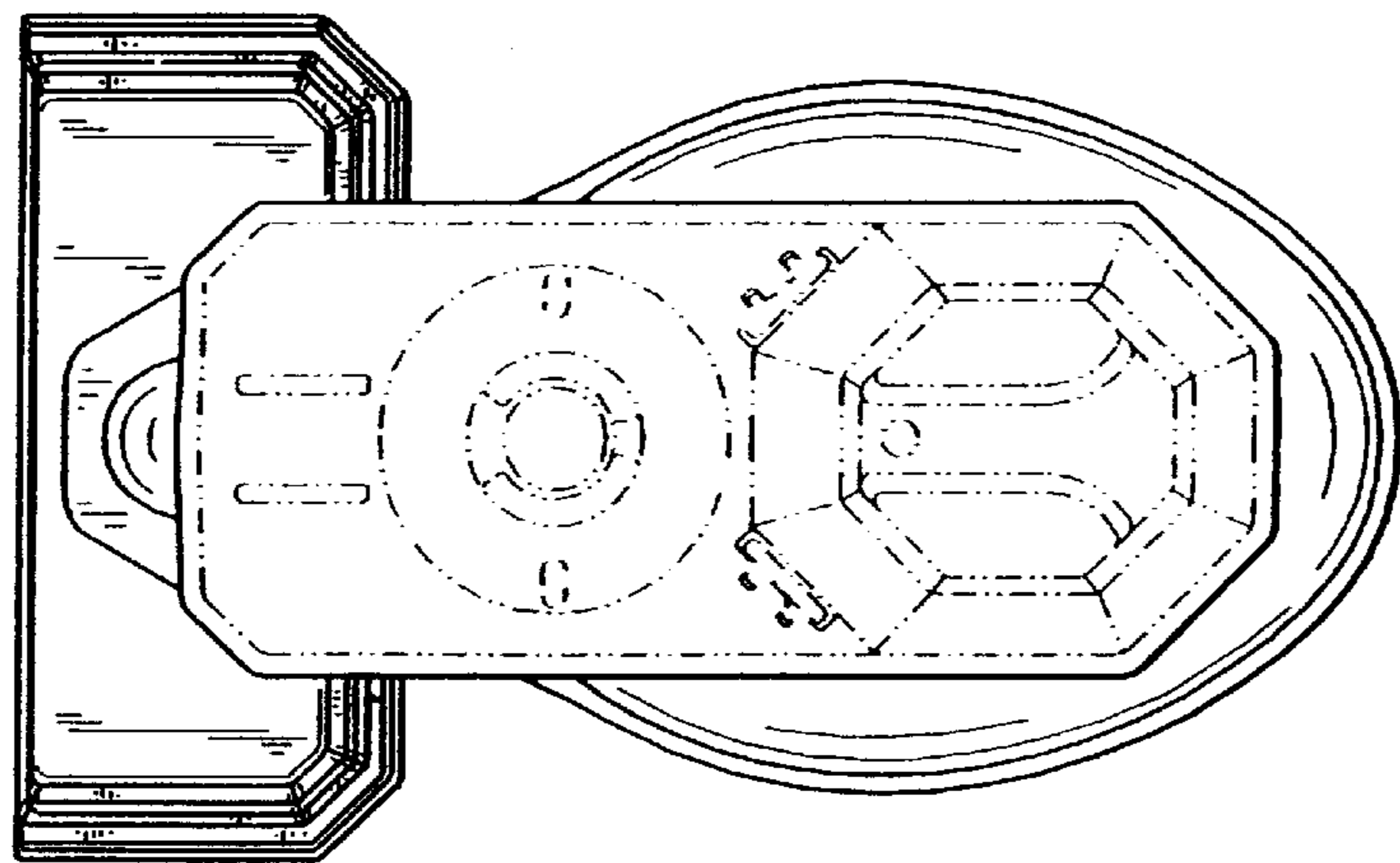
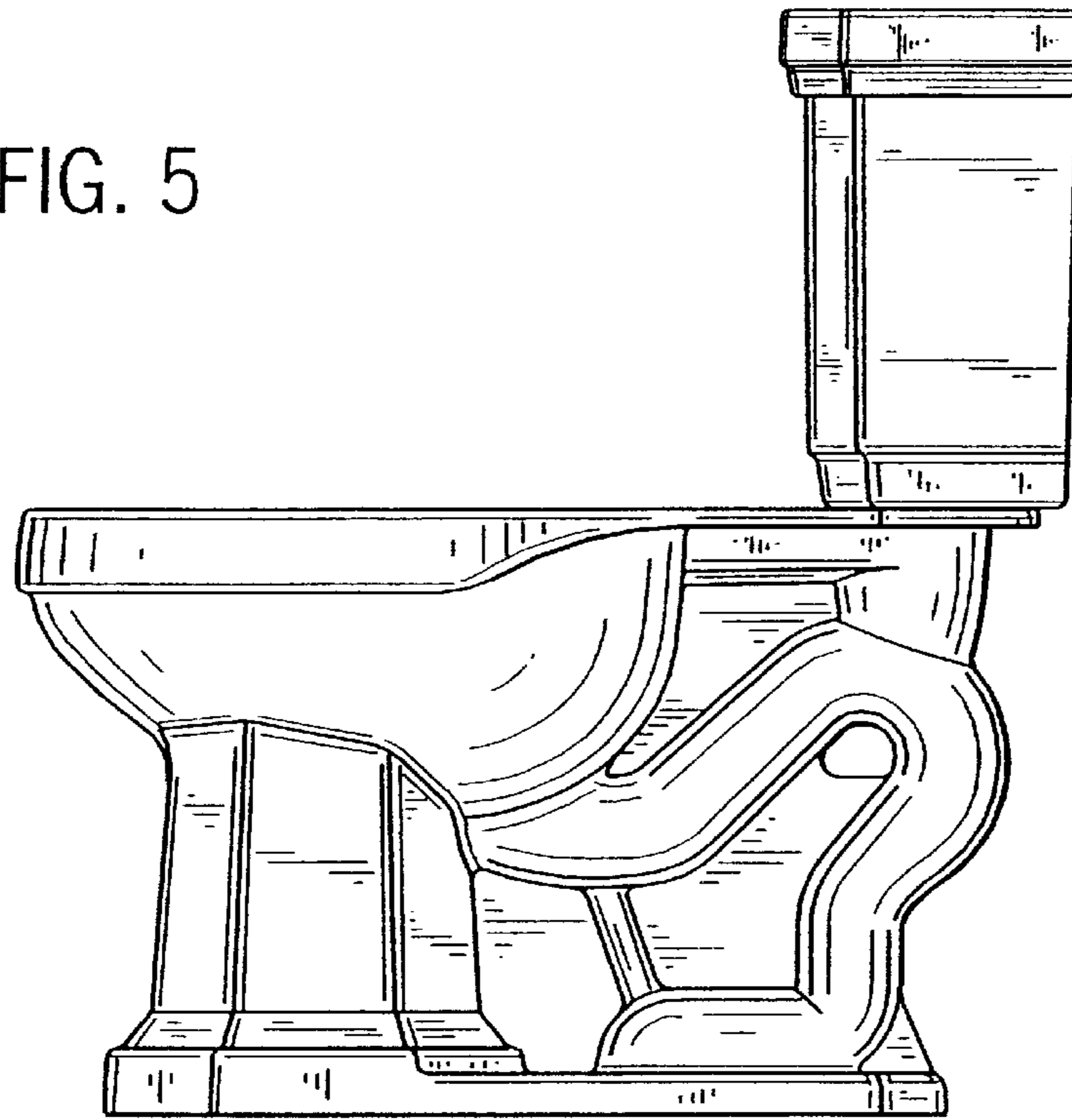


FIG. 6

FIG. 7

