



US00D515184S

(12) **United States Design Patent**
Beall

(10) **Patent No.:** **US D515,184 S**
(45) **Date of Patent:** **** Feb. 14, 2006**

(54) **WATER DIRECTING APPARATUS**

D506,160 S * 6/2005 Lambert D11/148

(76) Inventor: **Garm Beall**, 7831 Alabama Ave., Unit
18, Canoga Park, CA (US) 91304

* cited by examiner

(**) Term: **14 Years**

Primary Examiner—Robin V. Taylor

(21) Appl. No.: **29/215,943**

(74) *Attorney, Agent, or Firm*—Aaron T. Borrowman;
Kelly Lowry & Kelley, LLP

(22) Filed: **Oct. 26, 2004**

(57) **CLAIM**

(51) **LOC (8) Cl.** **23-01**

The ornamental design for a water directing apparatus, as
shown and described.

(52) **U.S. Cl.** **D23/267**; D11/148

DESCRIPTION

(58) **Field of Classification Search** D23/267;
D11/148; 52/11, 12, 16; 137/615
See application file for complete search history.

FIG. 1 is a perspective view of the bell water directing
apparatus attached to a down-spout of a building, shown in
phantom and forming no part of the claimed design;

(56) **References Cited**

U.S. PATENT DOCUMENTS

D316,686 S	*	5/1991	Tardif	D11/148
D333,800 S	*	3/1993	Akdemir	D11/12
D340,662 S	*	10/1993	Cipolla	D11/18
D410,997 S	*	6/1999	Christianson	D23/267
D416,409 S	*	11/1999	Matthews et al.	D6/514
6,308,464 B1	*	10/2001	Demartini	52/16
6,497,816 B2	*	12/2002	Naddy	210/162
6,526,699 B1	*	3/2003	Foglio, Sr.	52/15
D493,118 S	*	7/2004	Neri	D11/13

FIG. 2 is a perspective view of multiple bell components
interconnected to one another in a vertical chain;

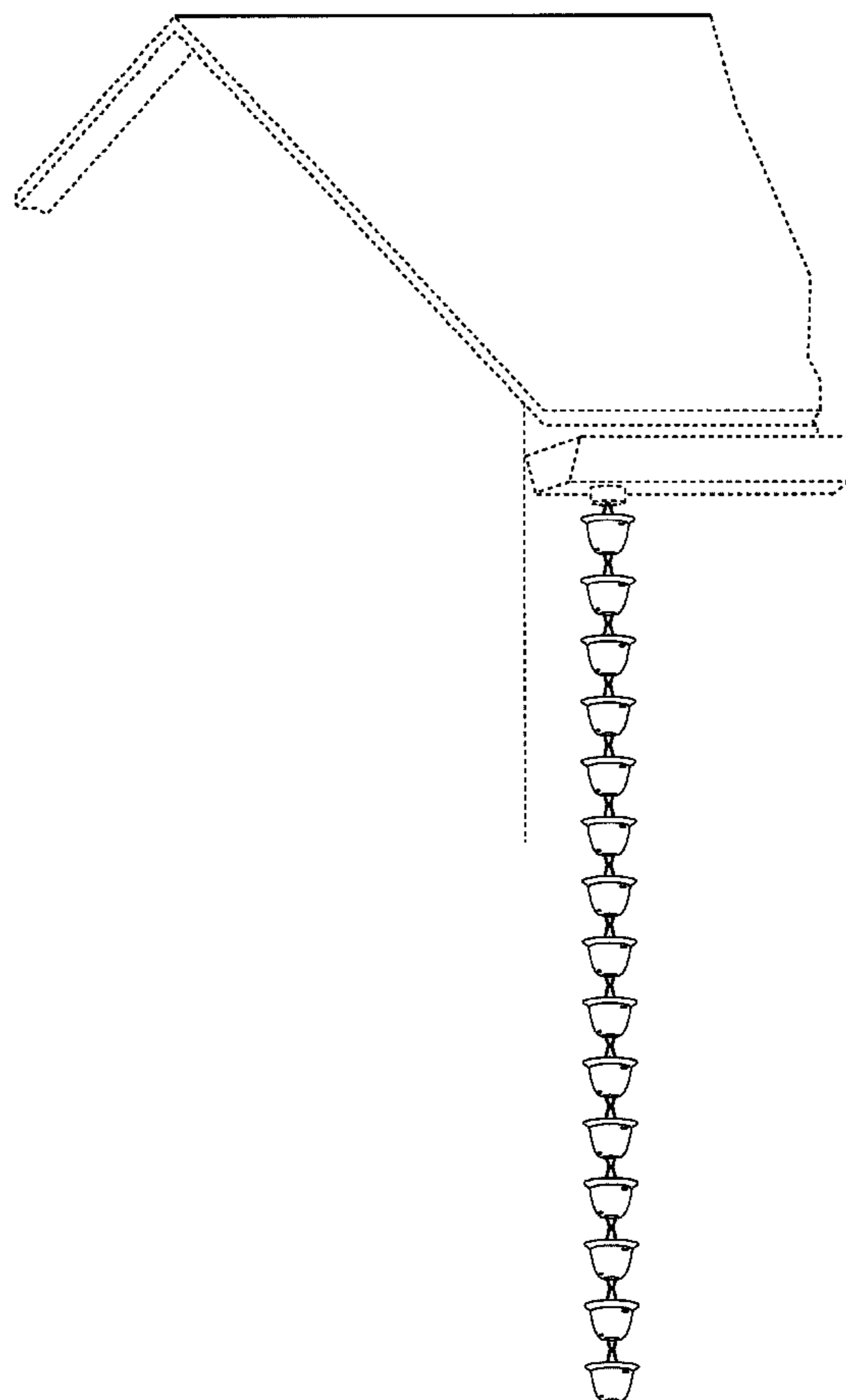
FIG. 3 is a front perspective view of the vertical chain of
FIG. 2;

FIG. 4 is a rear elevational view of the vertical chain of FIG.
2;

FIG. 5 is a top plan view of the vertical chain of FIG. 2; and,
FIG. 6 is a bottom plan view of the vertical chain of FIG. 2.

The water directing apparatus is of indeterminate length and
is shown in section in FIGS. 2–5 for ease of illustration.

1 Claim, 2 Drawing Sheets



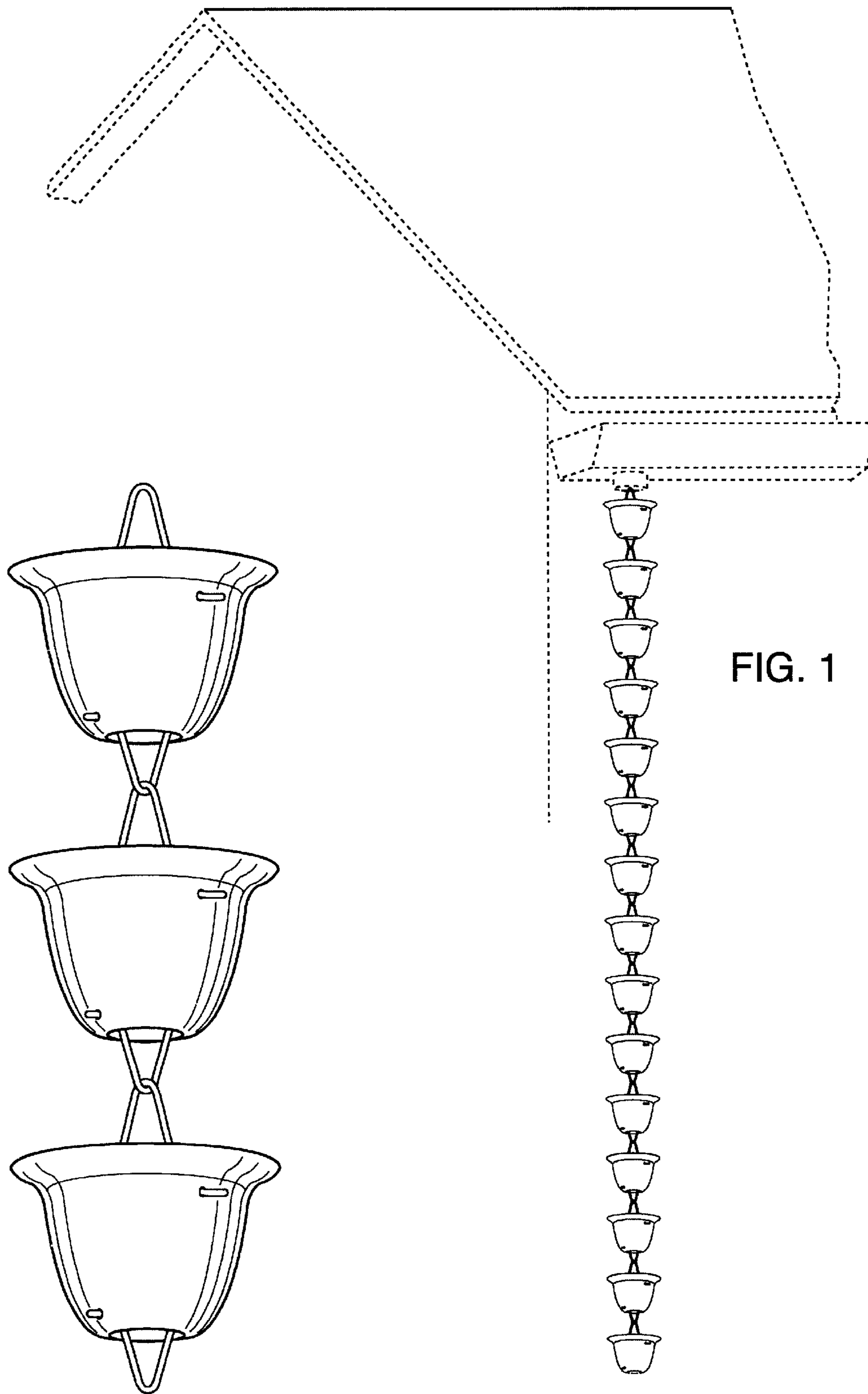


FIG. 1

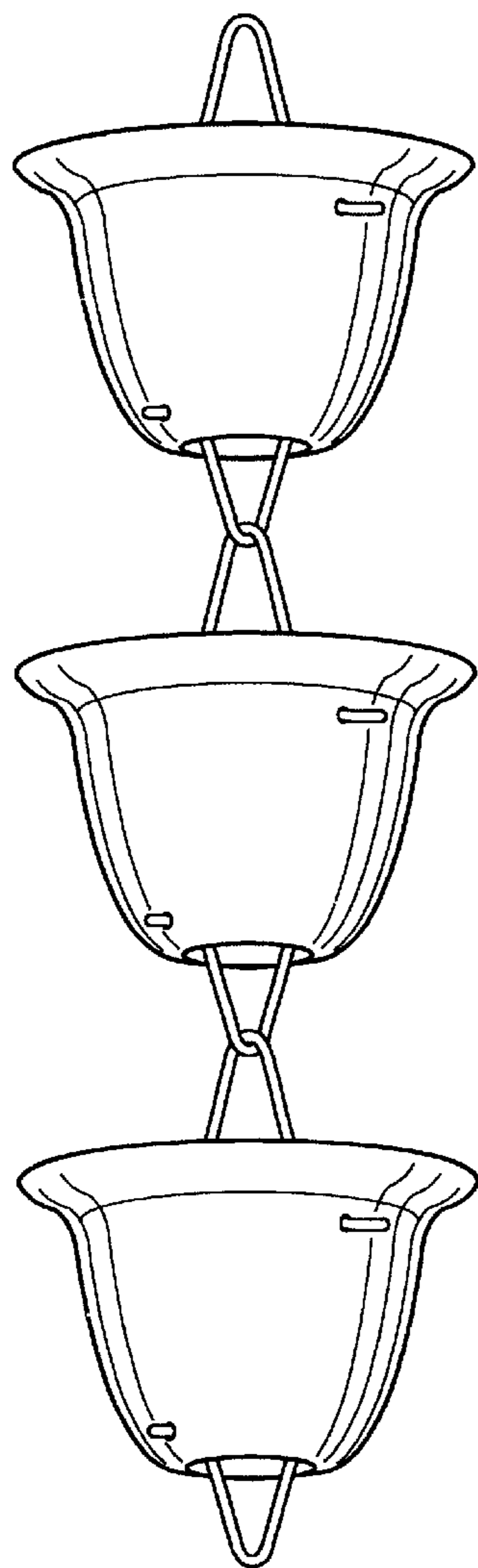


FIG. 2

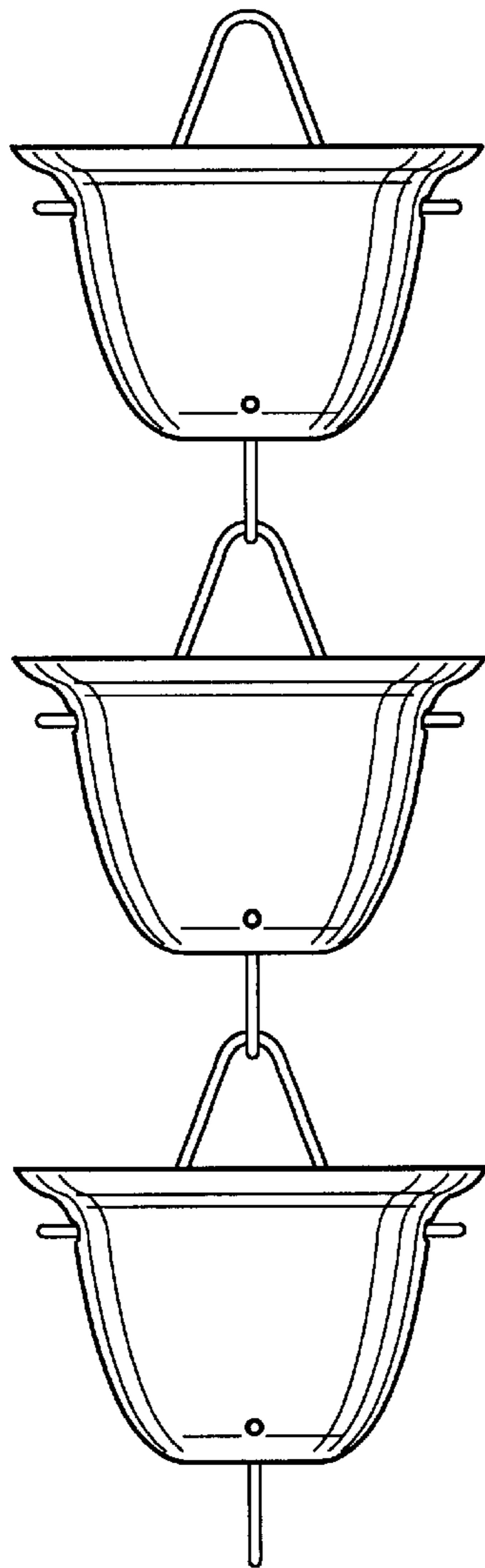


FIG. 3

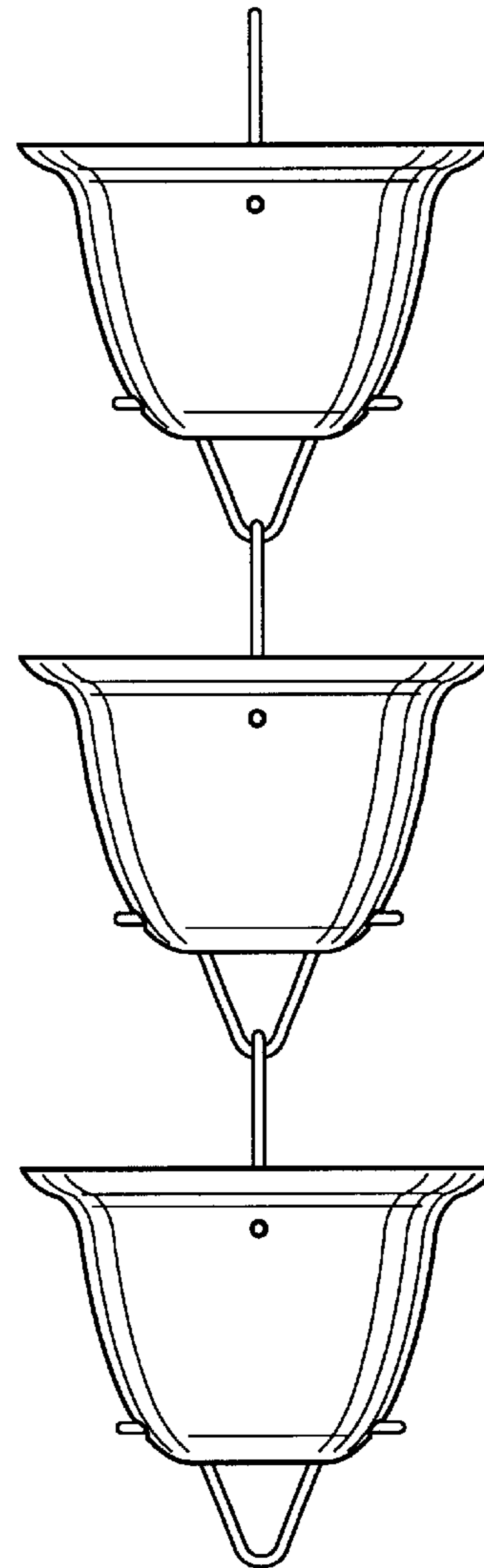


FIG. 4

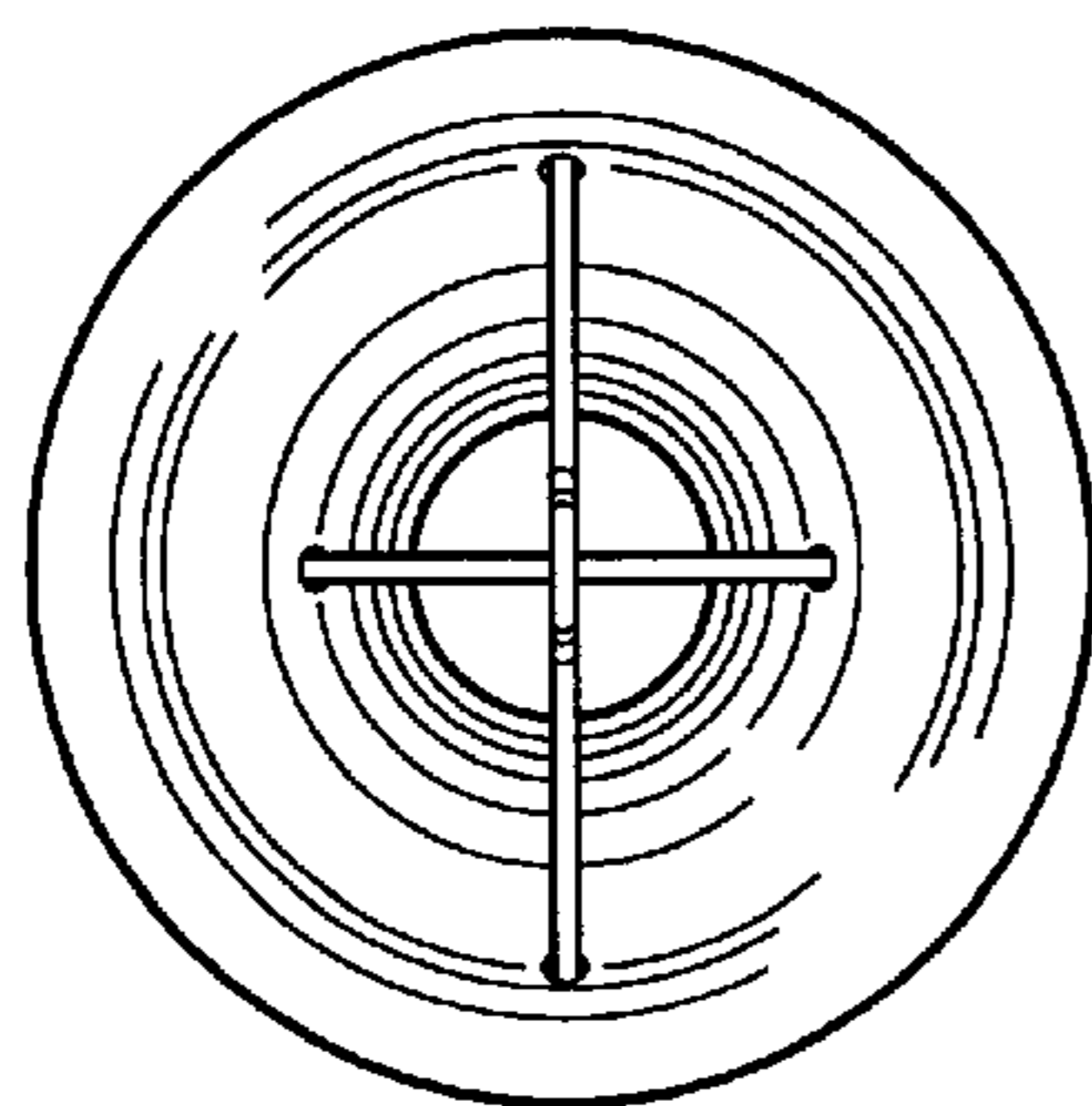


FIG. 5

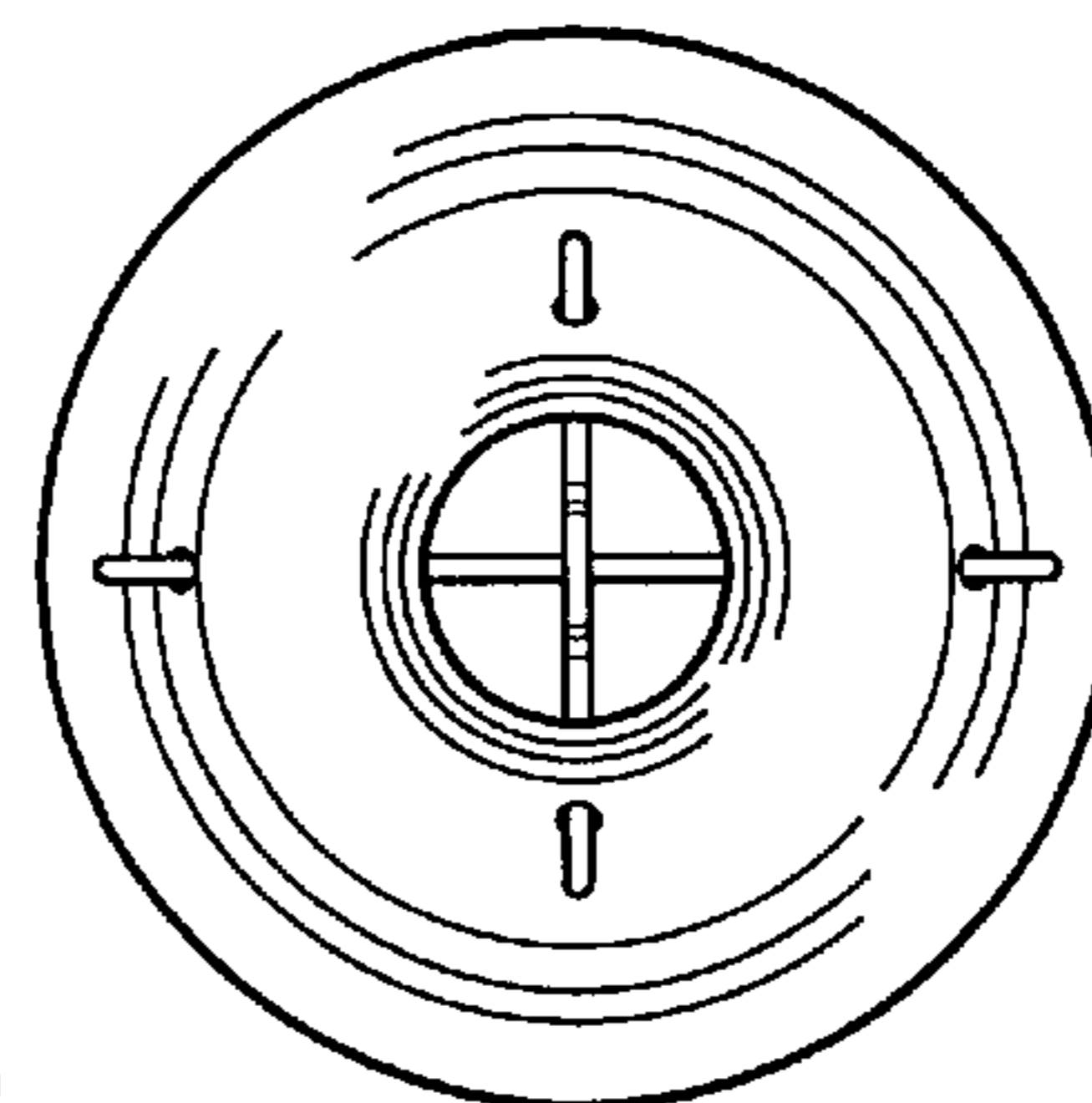


FIG. 6