



US00D515183S

(12) **United States Design Patent**
Nigro et al.

(10) **Patent No.:** **US D515,183 S**
(45) **Date of Patent:** **** Feb. 14, 2006**

(54) **PERIMETER GUTTER HAVING A CURVED SECTION FOR A SWIMMING POOL**

4,170,796 A * 10/1979 Schiron et al. 4/494
4,235,008 A * 11/1980 Meredith 29/428

(76) Inventors: **Paul A. Nigro**, 4229 Wood Forest Dr.,
Rock Hill, SC (US) 29730; **Donald C. Baker**, 8 Pine Point Rd., Lake Wylie,
SC (US) 29710

* cited by examiner

Primary Examiner—Robin V. Taylor
(74) *Attorney, Agent, or Firm*—Summa & Allan, P.A.

(**) Term: **14 Years**

(57) **CLAIM**

The ornamental design for a perimeter gutter having a curved section for a swimming pool, as shown and described.

(21) Appl. No.: **29/206,616**

(22) Filed: **Jun. 1, 2004**

DESCRIPTION

(51) **LOC (8) Cl.** **23-01**

(52) **U.S. Cl.** **D23/267**

(58) **Field of Classification Search** D23/267;
52/11-12, 302.3; 248/48.1; 404/2; 4/510
See application file for complete search history.

FIG. 1 is a perspective view of a perimeter gutter having a curved section for a swimming pool showing a preferred embodiment of the new design;

FIG. 2 is a transverse view of the perimeter gutter having a curved section for a swimming pool taken along lines 2—2 of FIG. 1, the other side being a mirror image thereof;

FIG. 3 is a top plan view of the perimeter gutter having a curved section for a swimming pool; and,

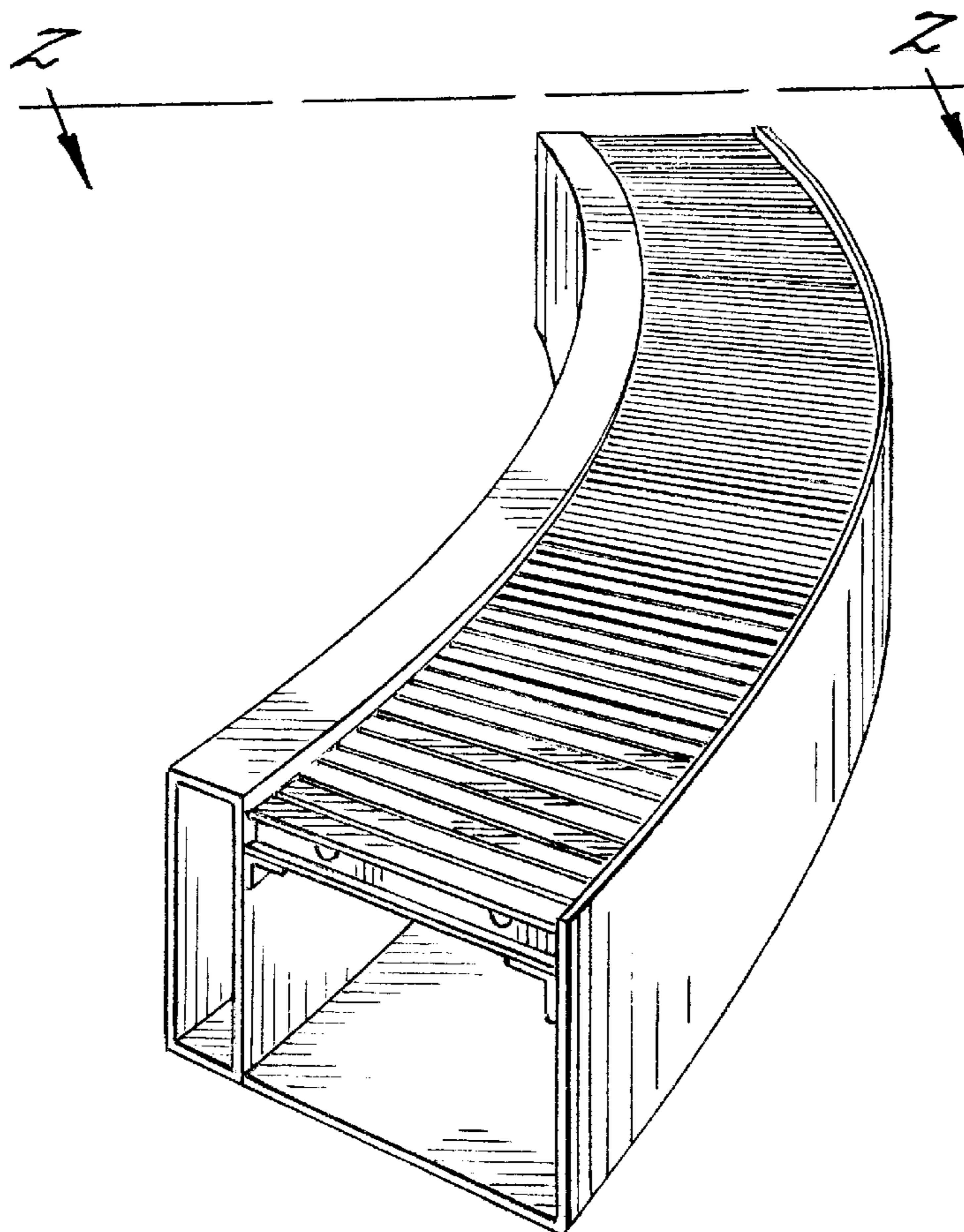
FIG. 4 is a longitudinal view of the perimeter gutter having a curved section for a swimming pool.

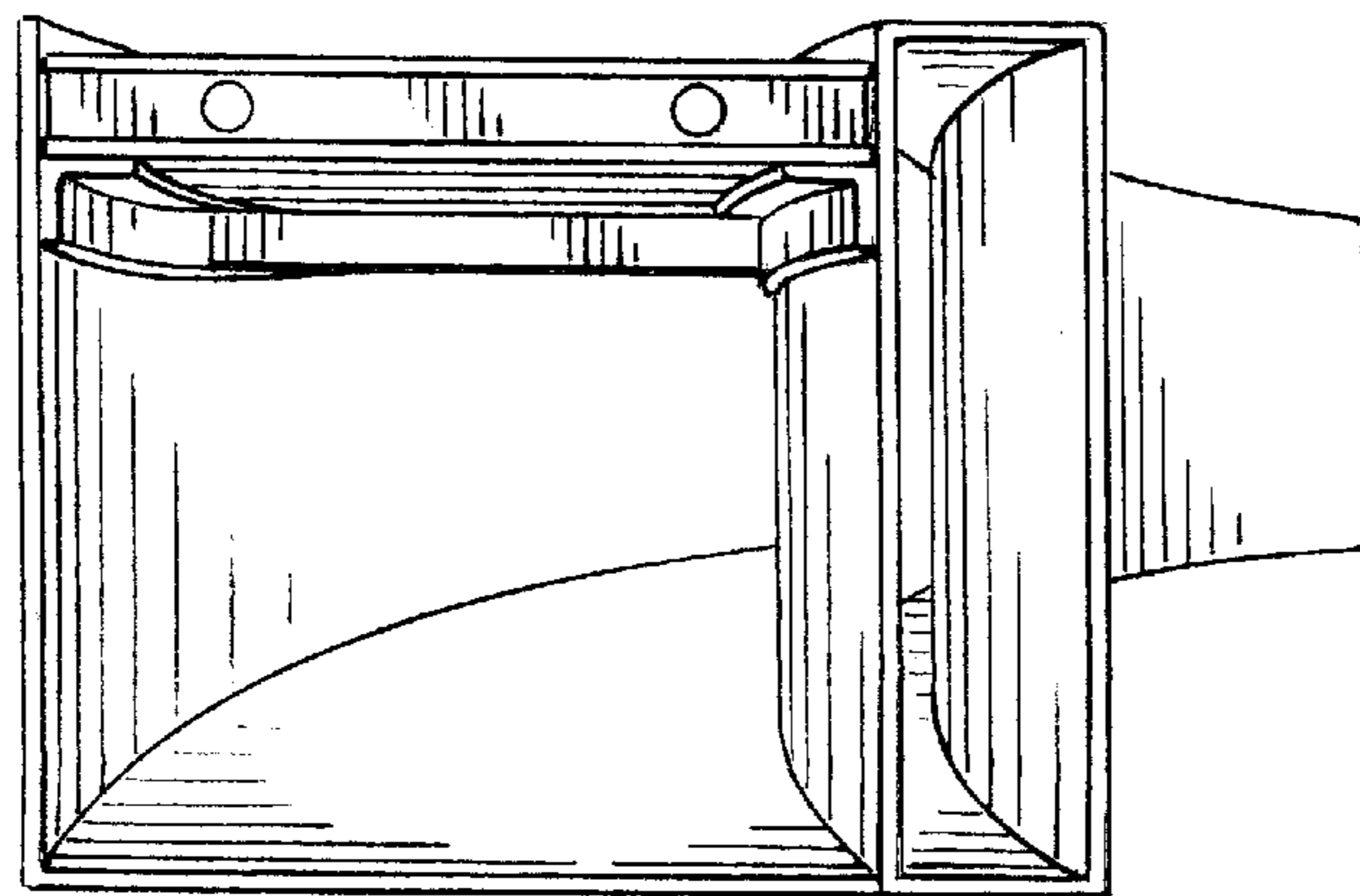
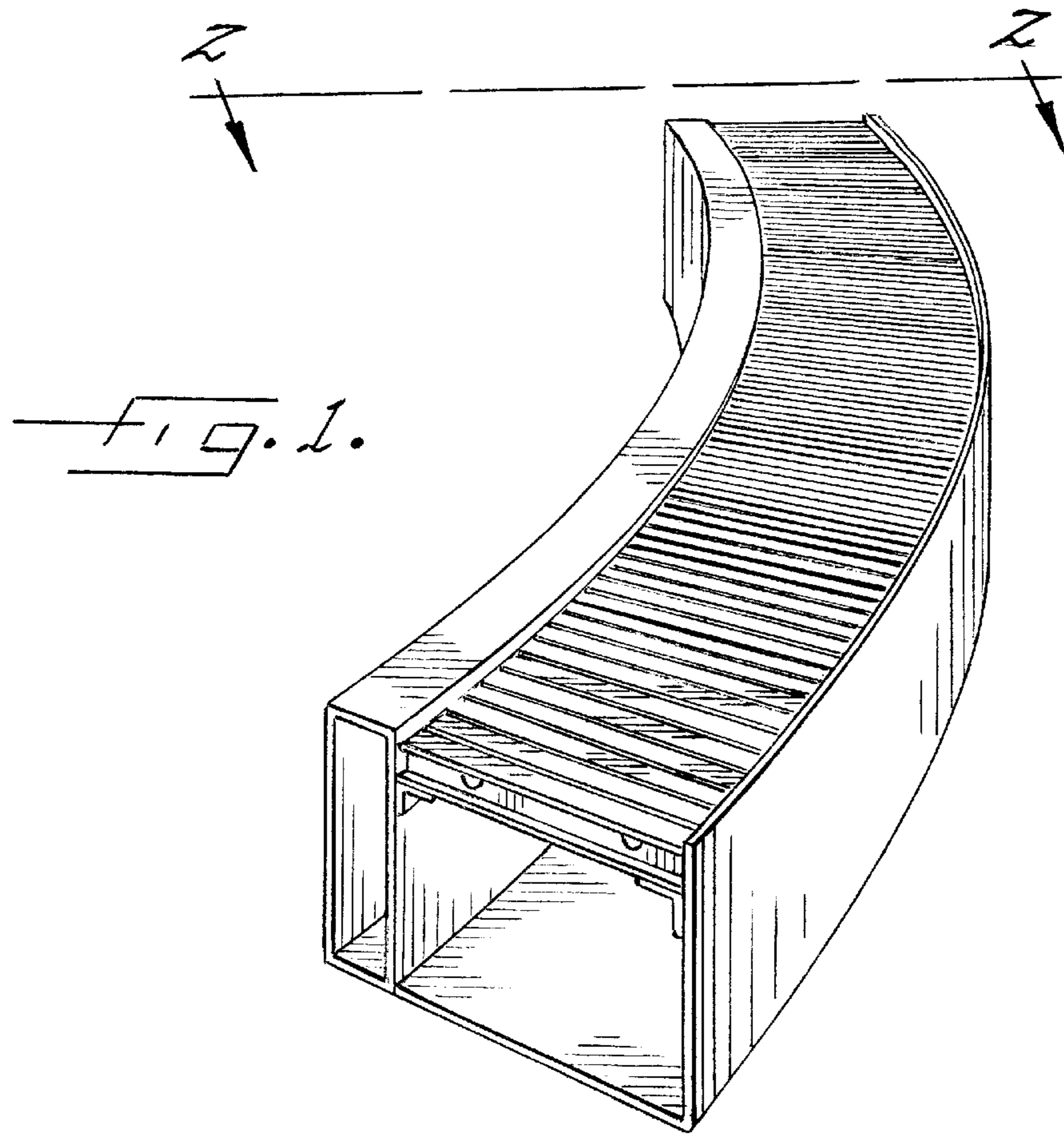
(56) **References Cited**

U.S. PATENT DOCUMENTS

3,968,527 A * 7/1976 Hough 4/510
4,007,566 A * 2/1977 Molitor 52/169.7
4,050,104 A * 9/1977 Baker 4/510
4,059,856 A * 11/1977 Patterson 4/509

1 Claim, 2 Drawing Sheets





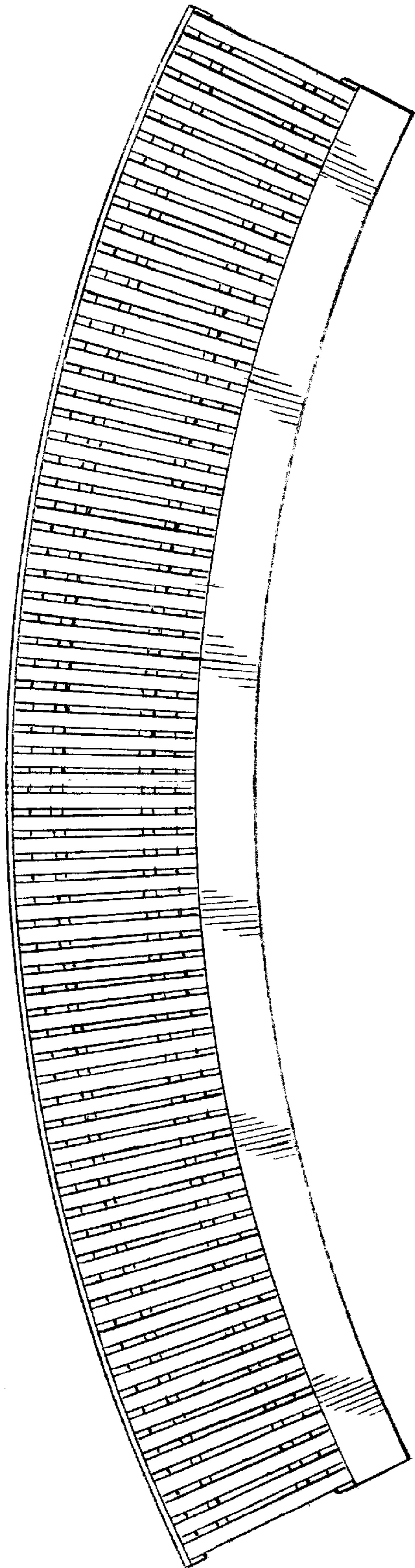


FIG. 3.

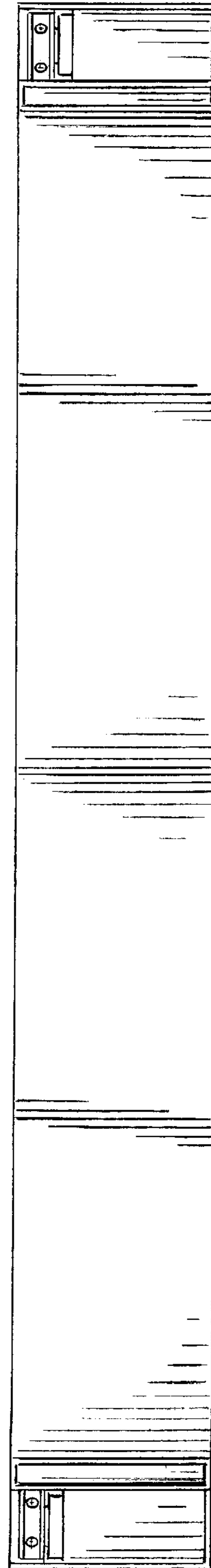


FIG. 4.