



US00D515181S

(12) **United States Design Patent**  
**Lun et al.**

(10) **Patent No.:** **US D515,181 S**  
(45) **Date of Patent:** **\*\* Feb. 14, 2006**

(54) **FAUCET**

(75) **Inventors:** **Yi Lun, Taichung (TW); Tan Wan-Hong, Taichung (TW)**

(73) **Assignee:** **Globe Union Industrial Corp., Taichung (TW)**

(\*\*) **Term:** **14 Years**

(21) **Appl. No.:** **29/204,517**

(22) **Filed:** **Apr. 30, 2004**

(51) **LOC (8) Cl.** ..... **23-01**

(52) **U.S. Cl.** ..... **D23/241; D23/242**

(58) **Field of Classification Search** ..... **D23/238-257; 4/675-678; 137/801**

See application file for complete search history.

(56) **References Cited**

**U.S. PATENT DOCUMENTS**

D461,531 S \* 8/2002 Ouyoung ..... D23/242

D461,532 S \* 8/2002 Ouyoung ..... D23/242  
D463,007 S \* 9/2002 Lord ..... D23/241  
D469,854 S \* 2/2003 Ouyoung ..... D23/242

\* cited by examiner

*Primary Examiner*—Louis S. Zarfes

*Assistant Examiner*—Gregory Andoll

(74) *Attorney, Agent, or Firm*—Troxell Law Office, PLLC

(57) **CLAIM**

The ornamental design for faucet, as show and described.

**DESCRIPTION**

FIG. 1 is a top, left, front, perspective view of faucet showing my new design;

FIG. 2 is a front elevational view thereof;

FIG. 3 is a rear elevational view thereof;

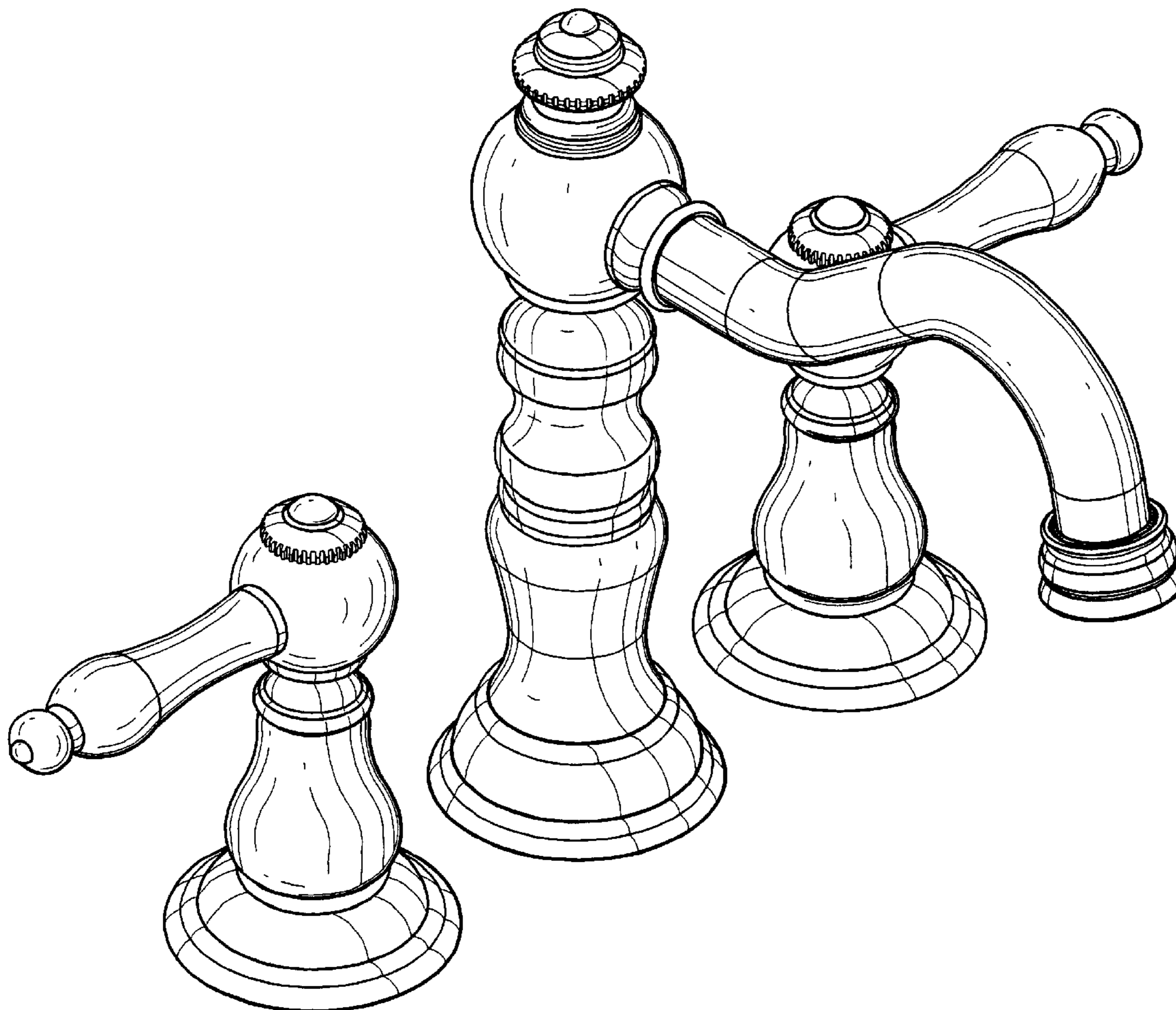
FIG. 4 is a left elevational view thereof;

FIG. 5 is a right elevational view thereof;

FIG. 6 is a top plan view thereof; and,

FIG. 7 is a bottom plan view thereof.

**1 Claim, 4 Drawing Sheets**



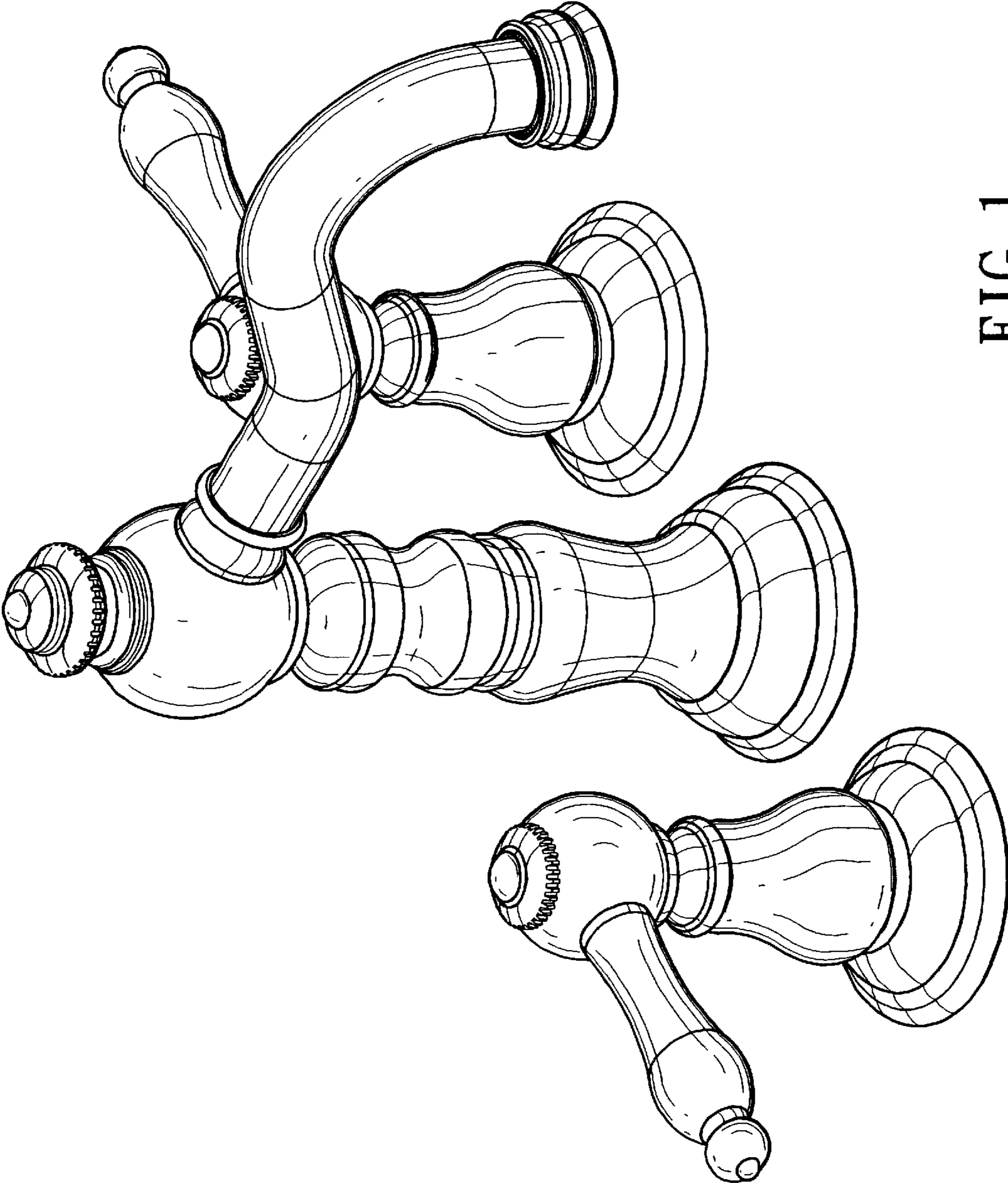


FIG. 1

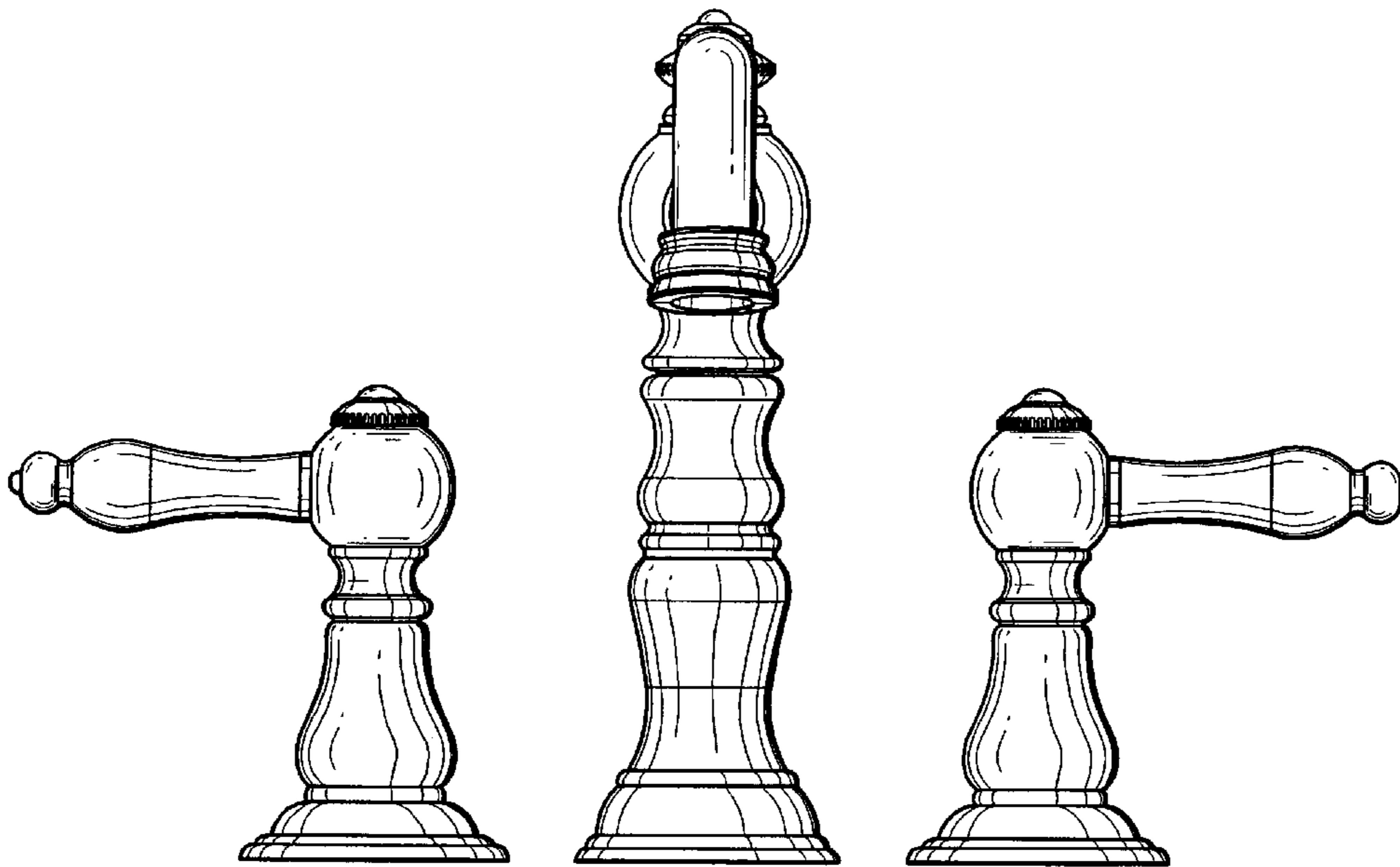


FIG. 2

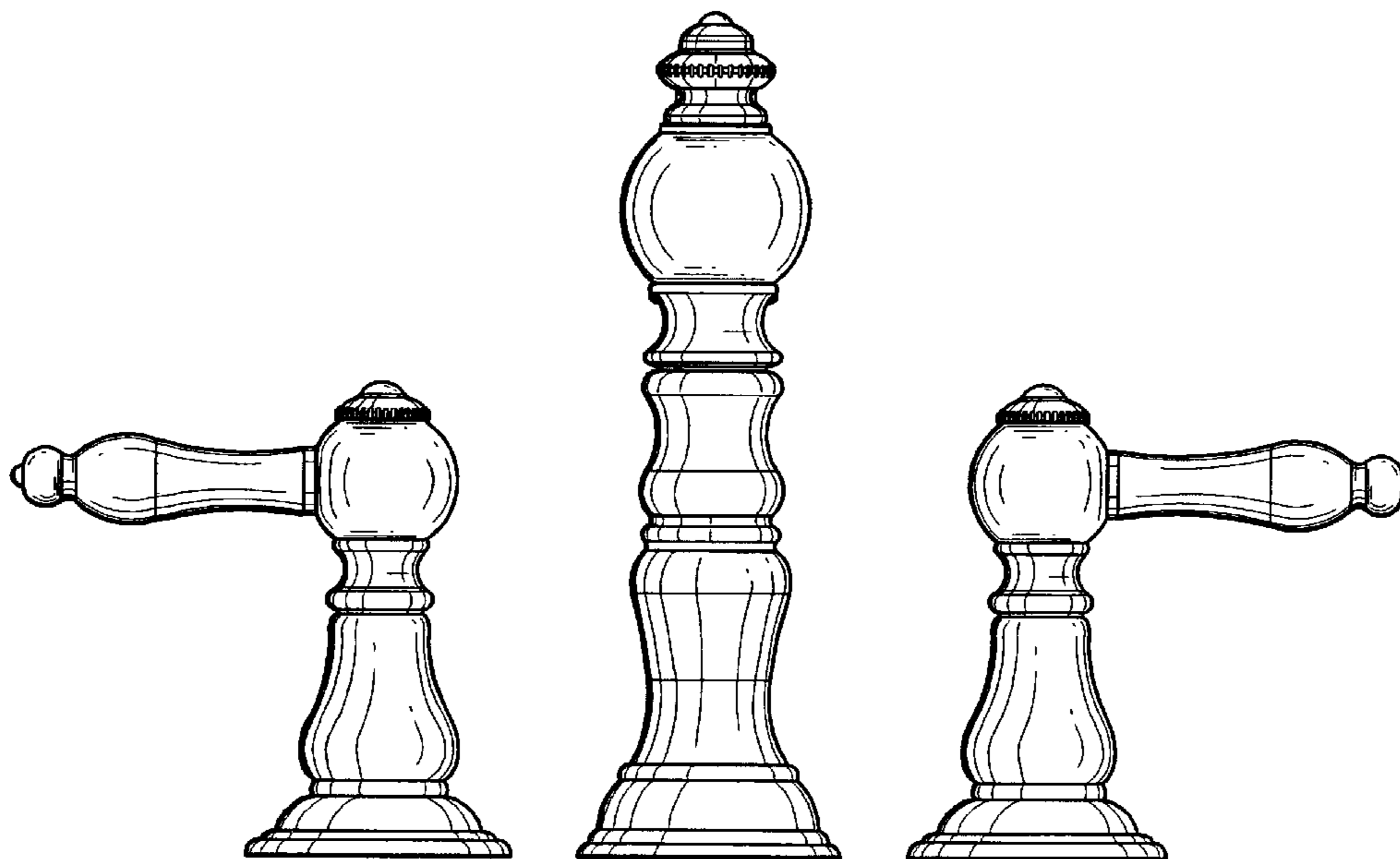


FIG. 3

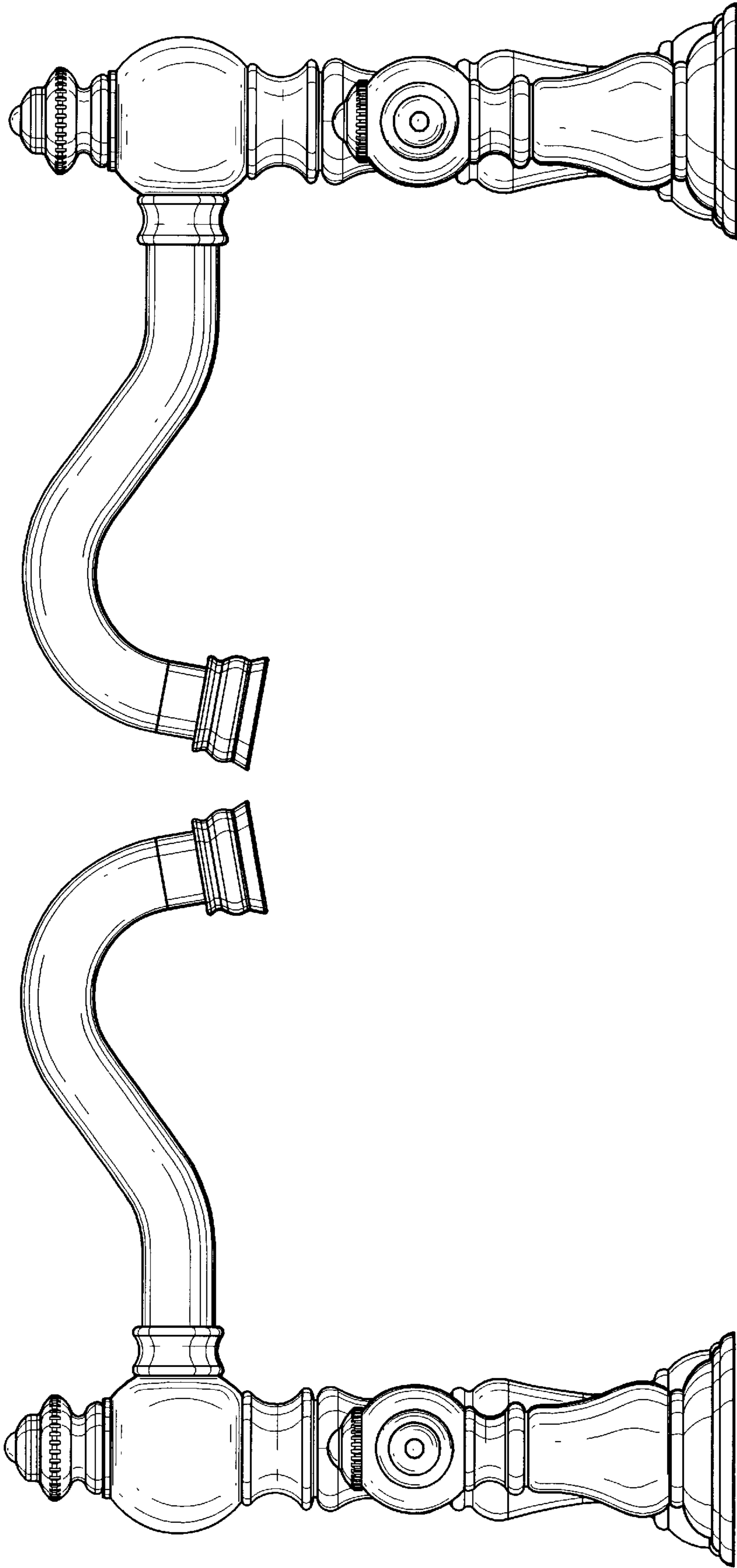


FIG. 4

FIG. 5



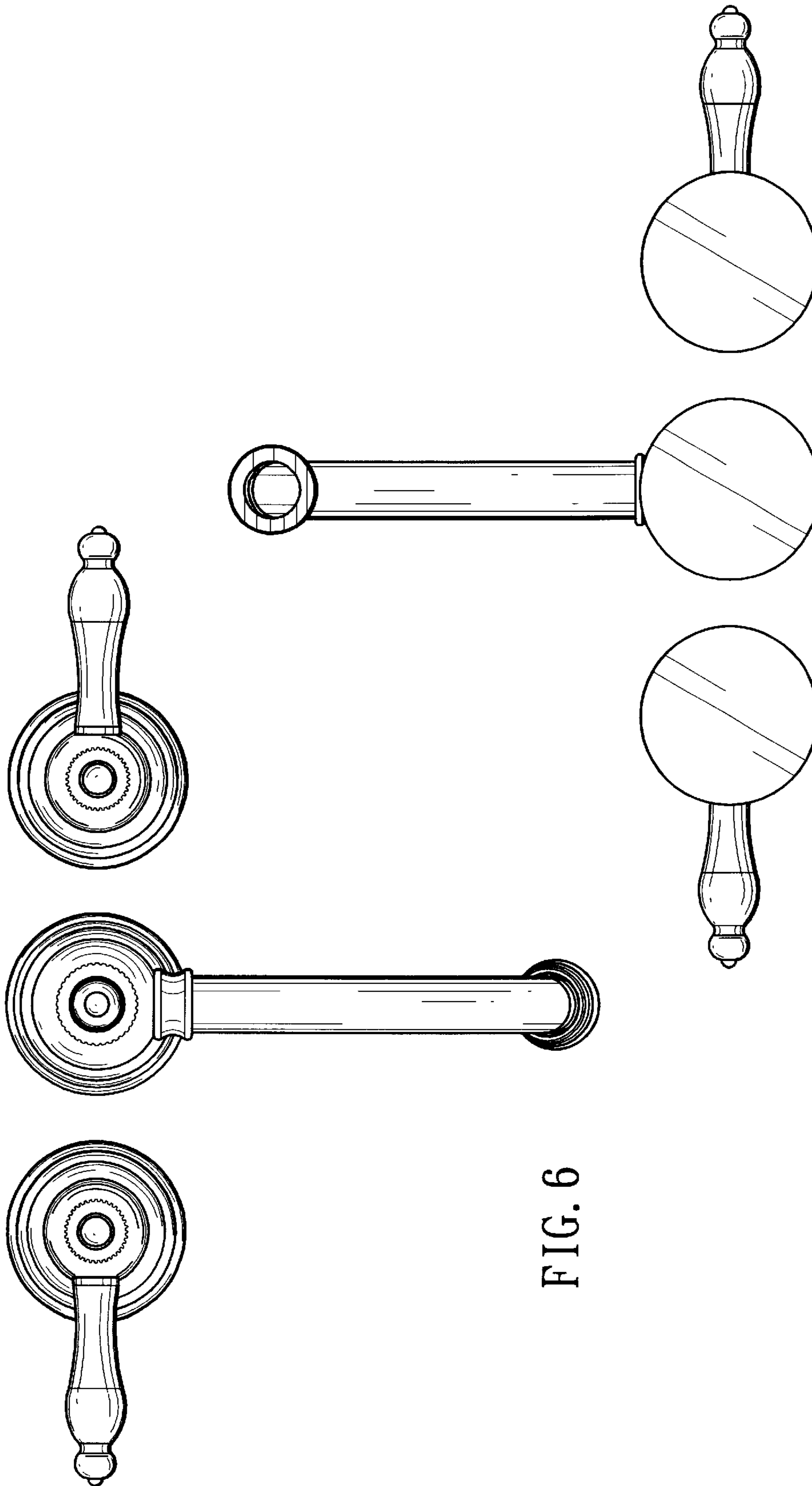


FIG. 6

FIG. 7