

US00D515180S

(12) **United States Design Patent**
Ouyoung

(10) **Patent No.: US D515,180 S**

(45) **Date of Patent: ** Feb. 14, 2006**

(54) **FAUCET**

D471,956 S * 3/2003 Zhao D23/226
D479,582 S * 9/2003 Citterio D23/239

(75) **Inventor: Scott Ouyoung, Taichung (TW)**

* cited by examiner

(73) **Assignee: Globe Union Industrial Corp., Taichung (TW)**

Primary Examiner—Louis S. Zarfes

Assistant Examiner—Gregory Andoll

(**) **Term: 14 Years**

(74) *Attorney, Agent, or Firm*—Troxell Law Office, PLLC

(21) **Appl. No.: 29/202,420**

(57) **CLAIM**

(22) **Filed: Mar. 31, 2004**

The ornamental design for faucet, as show and described.

(51) **LOC (8) Cl. 23-01**

DESCRIPTION

(52) **U.S. Cl. D23/239**

FIG. 1 is a top, left, front, perspective view of faucet showing my new design;

(58) **Field of Classification Search D23/238-257; 4/675-678; 137/801**

FIG. 2 is a front elevational view thereof;

See application file for complete search history.

FIG. 3 is a rear elevational view thereof;

FIG. 4 is a left elevational view thereof;

FIG. 5 is a right elevational view thereof;

(56) **References Cited**

U.S. PATENT DOCUMENTS

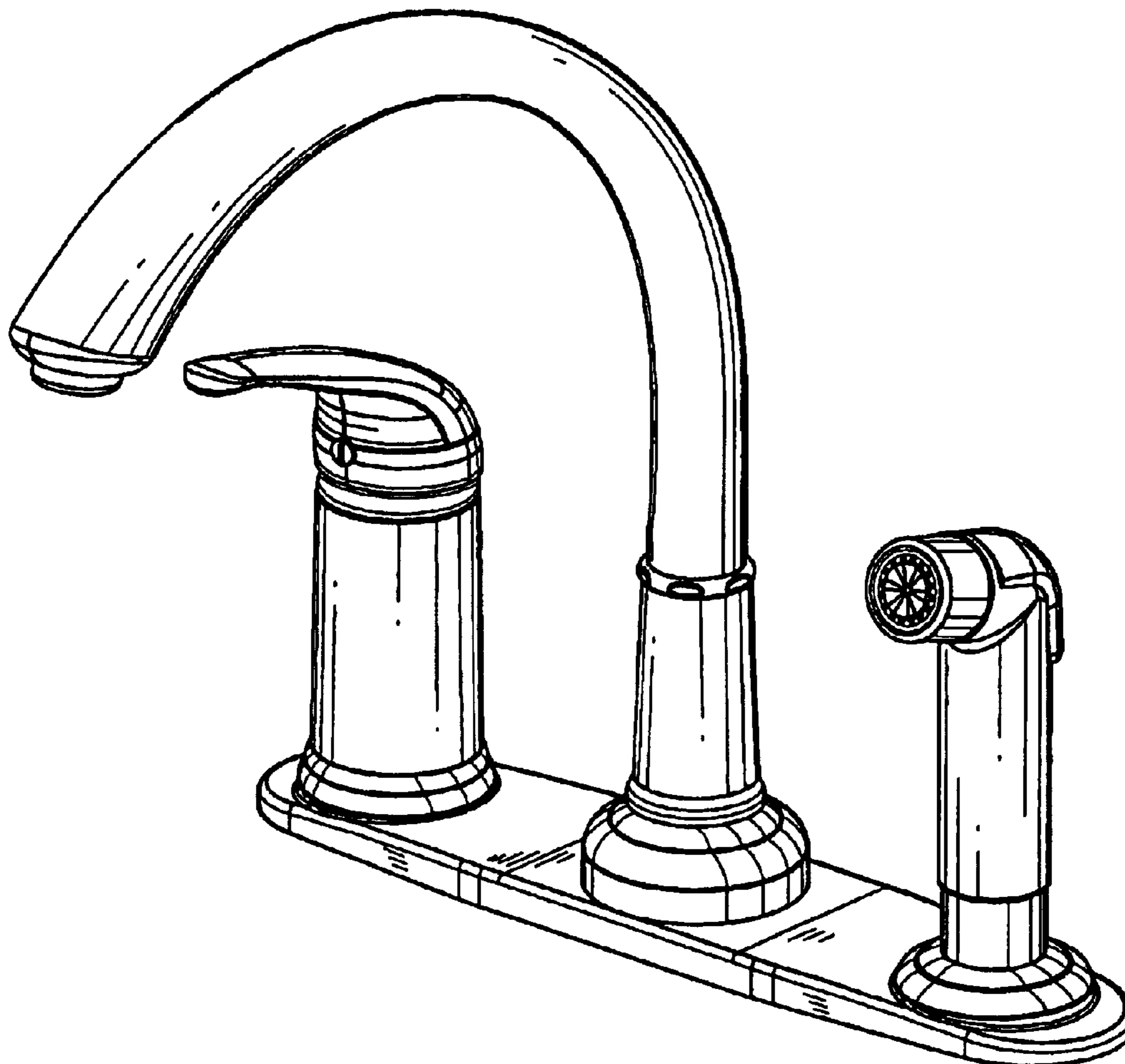
D366,099 S * 1/1996 Hill et al. D23/255

D387,133 S * 12/1997 Donahue et al. D23/242

FIG. 6 is a top plan view thereof; and,

FIG. 7 is a bottom plan view thereof.

1 Claim, 4 Drawing Sheets



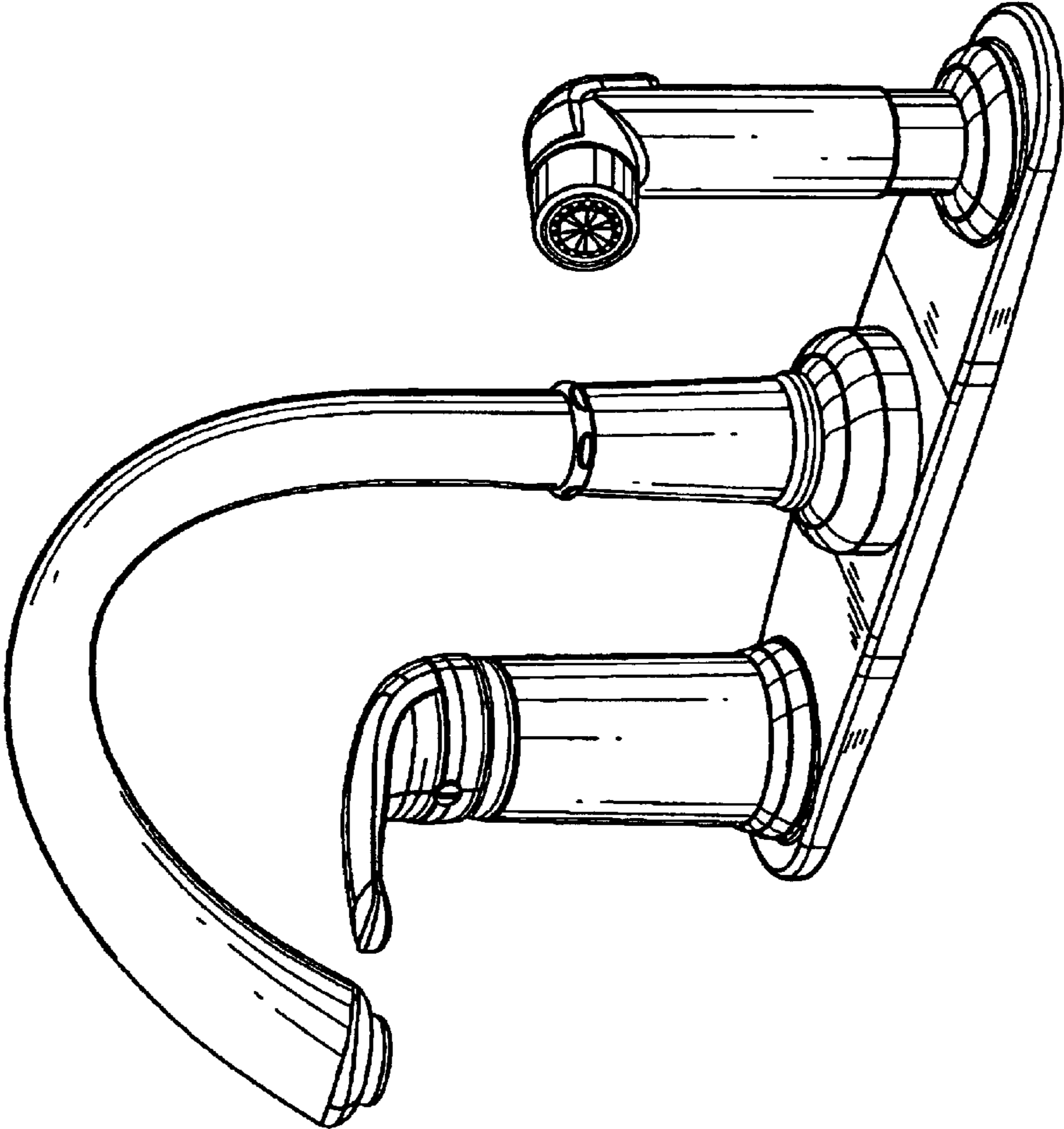


FIG. 1

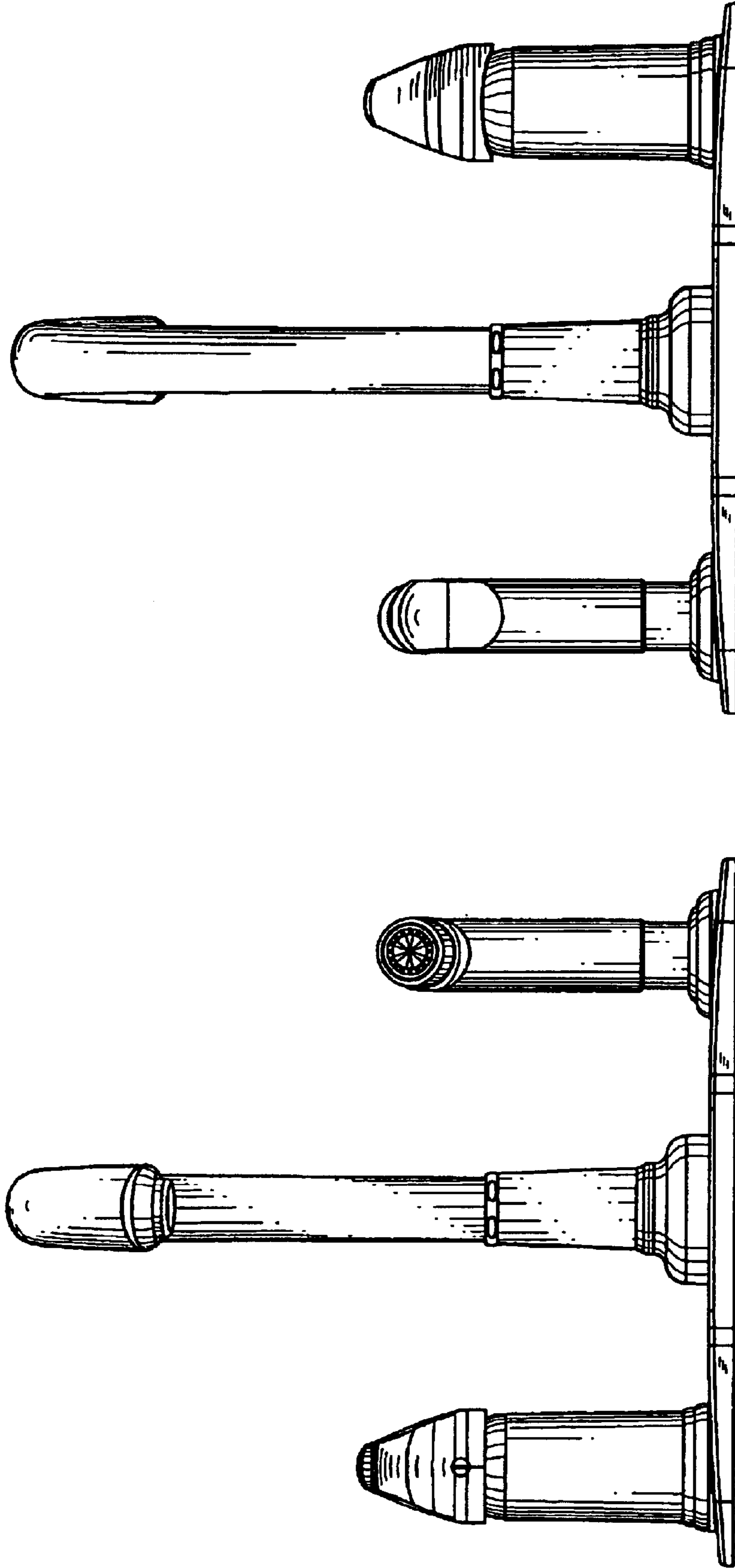


FIG. 3

FIG. 2

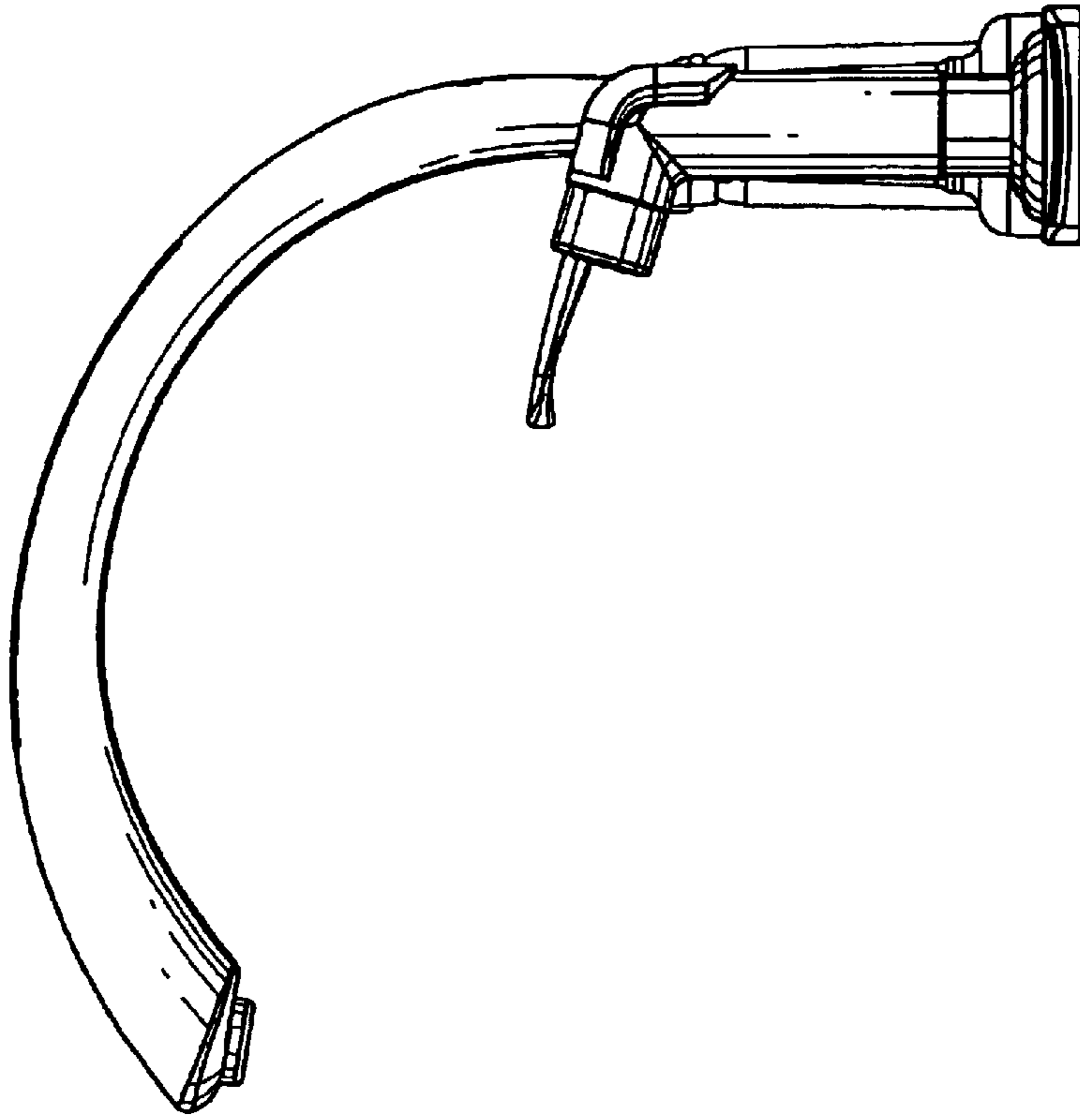


FIG. 5

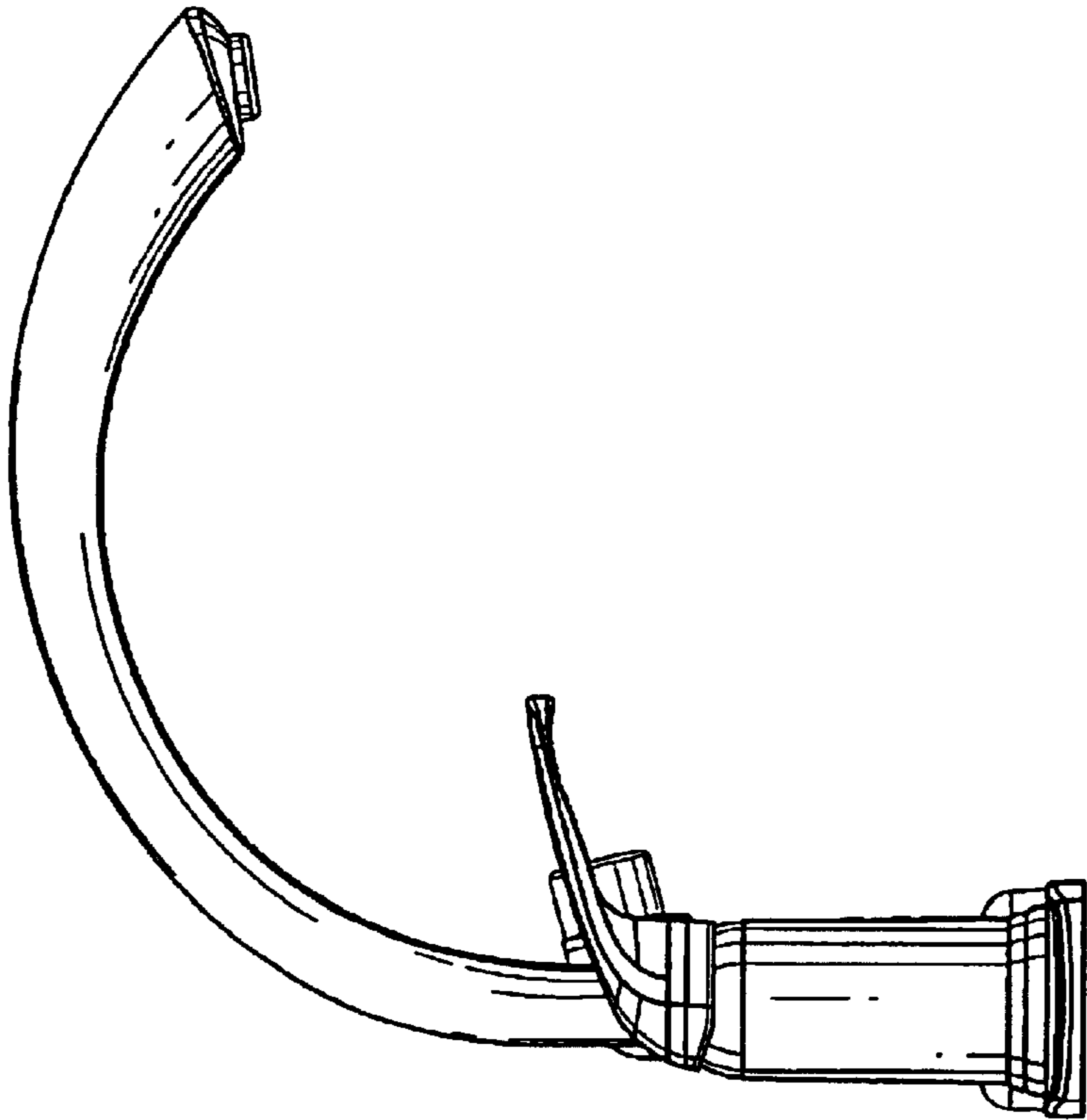


FIG. 4

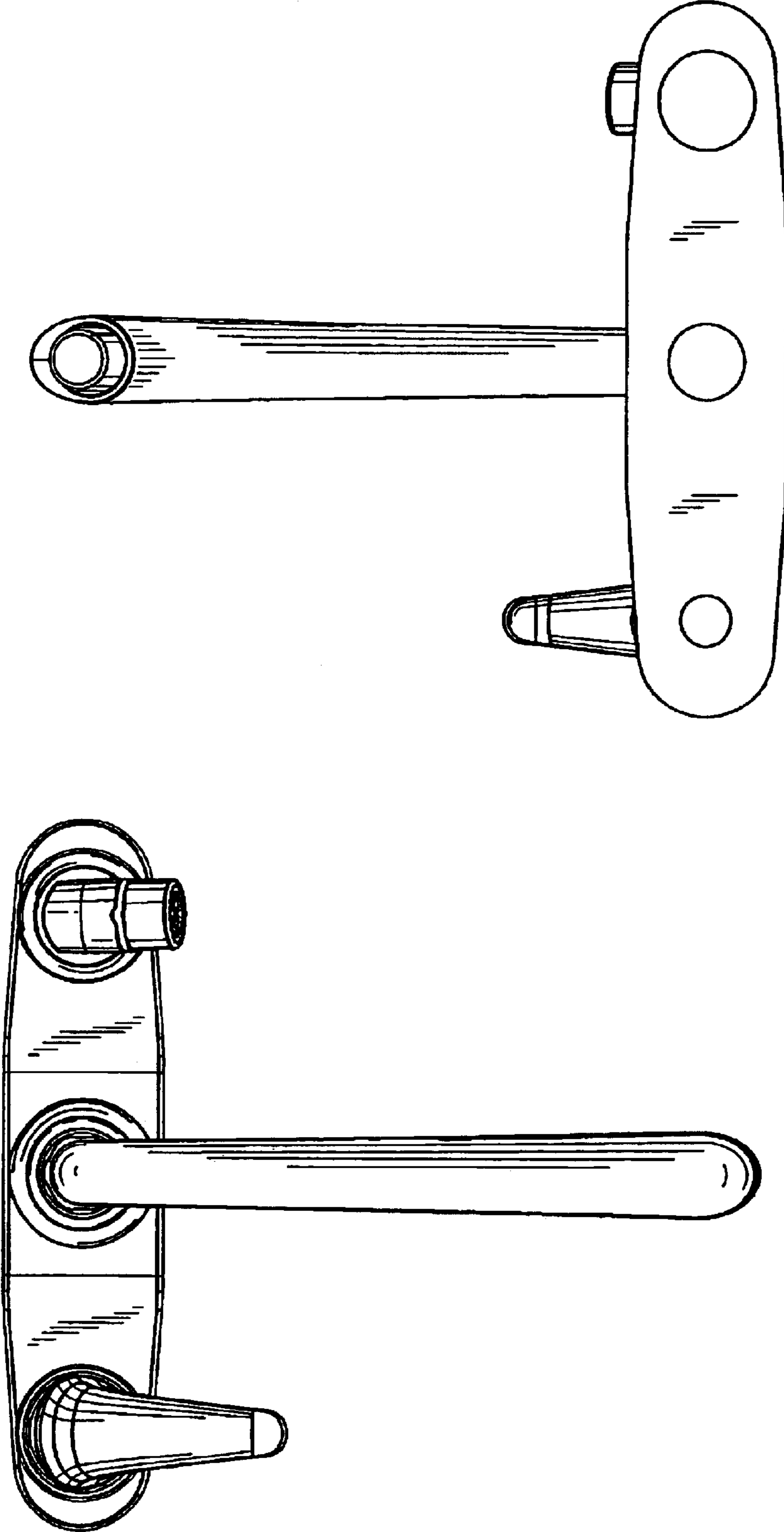


FIG. 7

FIG. 6