



US00D515177S

(12) **United States Design Patent**
Raterman et al.

(10) **Patent No.:** **US D515,177 S**
(45) **Date of Patent:** **** Feb. 14, 2006**

(54) **MANIFOLD FOR SUPPLYING LIQUIDS**
(75) Inventors: **John M. Raterman**, Atlanta, GA (US);
Christopher R. Chastine, Hoschton,
GA (US)

(73) Assignee: **Nordson Corporation**, Westlake, OH
(US)

(**) Term: **14 Years**

(21) Appl. No.: **29/202,812**

(22) Filed: **Apr. 2, 2004**

(51) **LOC (8) Cl.** **23-01**

(52) **U.S. Cl.** **D23/233**

(58) **Field of Classification Search** D23/233,
D23/200, 244–245, 248–249, 260, 262, 266,
D23/499; 137/505.44, 505.42, 907, 599.01,
137/625.4; 251/6, 61.5, 61.1, 331, 129.04;
D10/49, 96, 99; D24/129; D7/398

See application file for complete search history.

(56) **References Cited**

U.S. PATENT DOCUMENTS

D404,464 S * 1/1999 Niemczyk D23/233
D460,148 S * 7/2002 Hayashi et al. D23/233

D470,221 S * 2/2003 Niemczyk D23/233
D494,658 S * 8/2004 Kobayashi et al. D23/233
D505,183 S * 5/2005 Fukuda et al. D23/233

* cited by examiner

Primary Examiner—Caron D. Veynar

Assistant Examiner—Maurice Stevens

(74) *Attorney, Agent, or Firm*—Raymond J. Slattery, III

(57) **CLAIM**

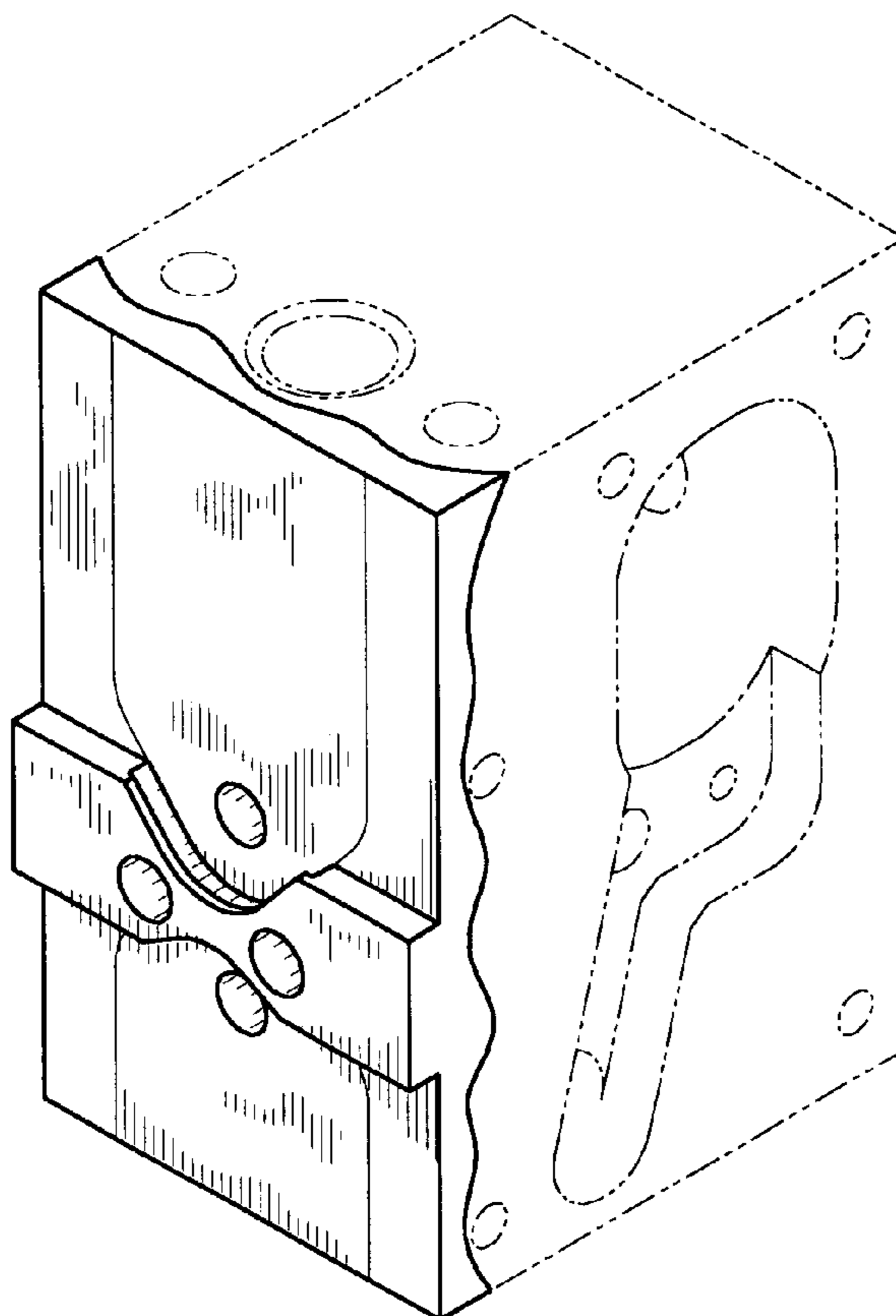
We claim the ornamental design for a manifold for supplying liquids, as shown and described.

DESCRIPTION

FIG. 1 is a perspective view of a manifold for supplying liquids, showing our new design;
FIG. 2 is a top plan thereof;
FIG. 3 is a front elevational thereof;
FIG. 4 is a bottom view thereof;
FIG. 5 is a left side view thereof; and,
FIG. 6 is a cross sectional view taken along line 6—6 of FIG. 3.

The broken lines showing environment is for illustrative purposes only and forms no part of the claimed design.

1 Claim, 2 Drawing Sheets



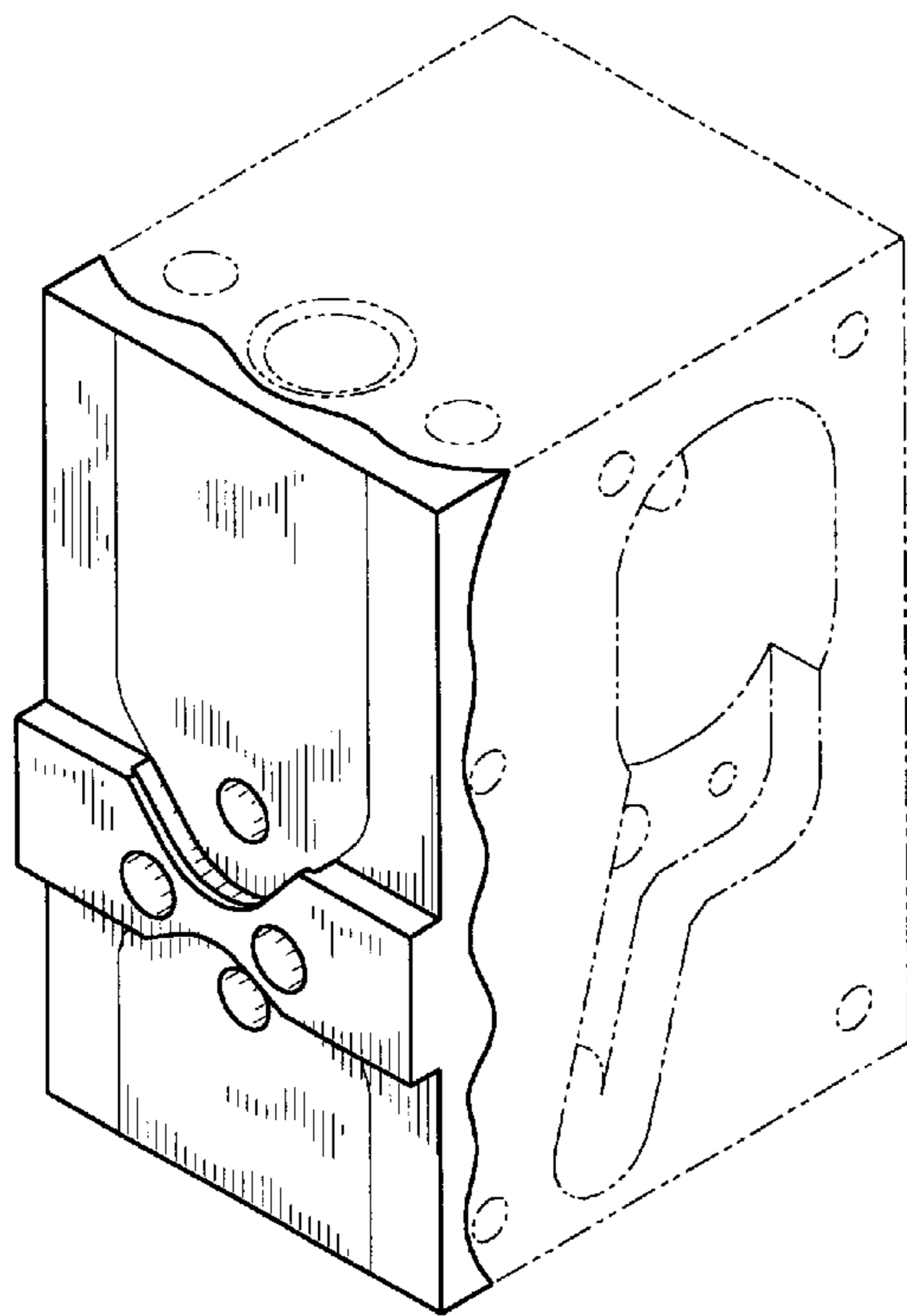


FIG-1

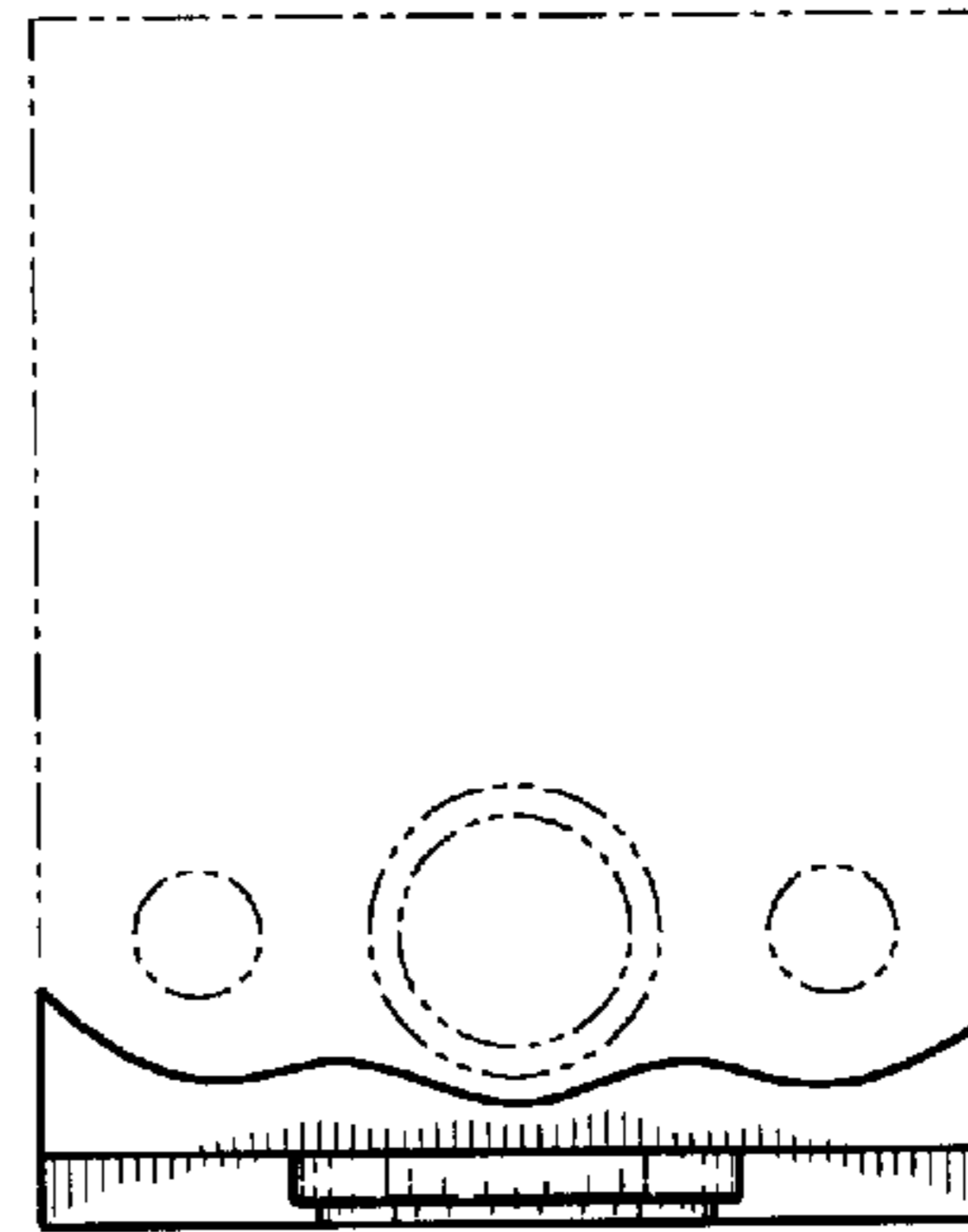


FIG-2

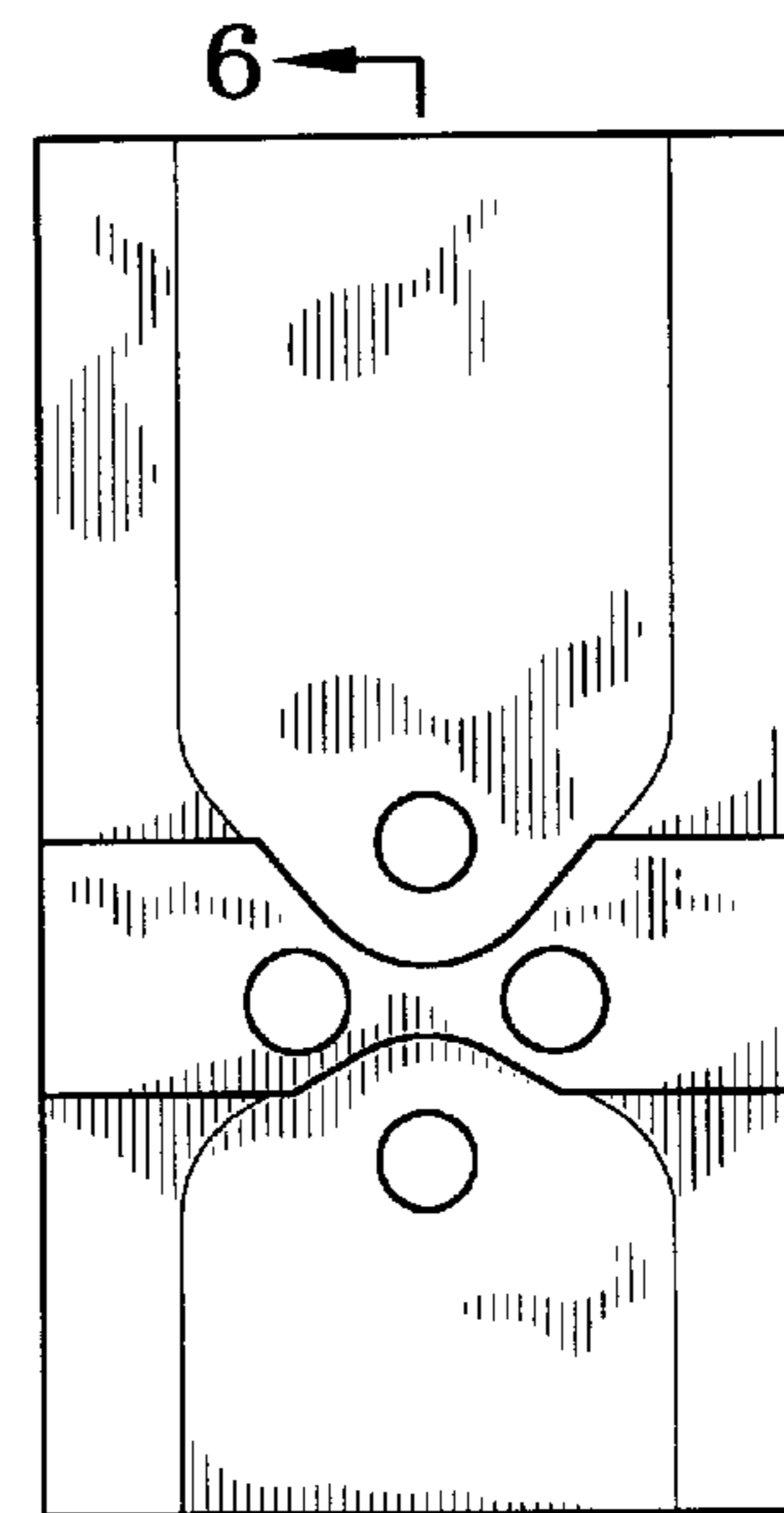


FIG-3

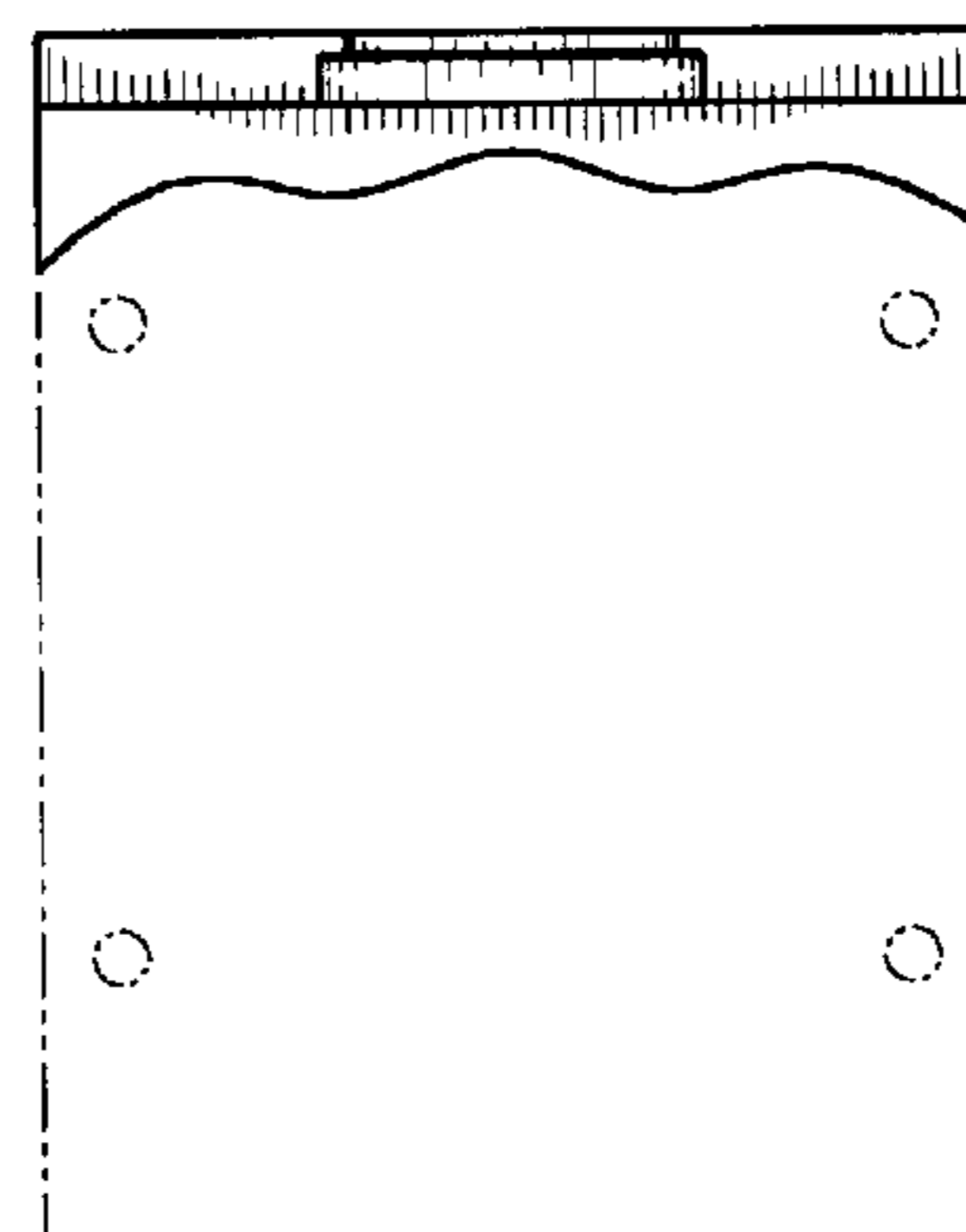


FIG-4

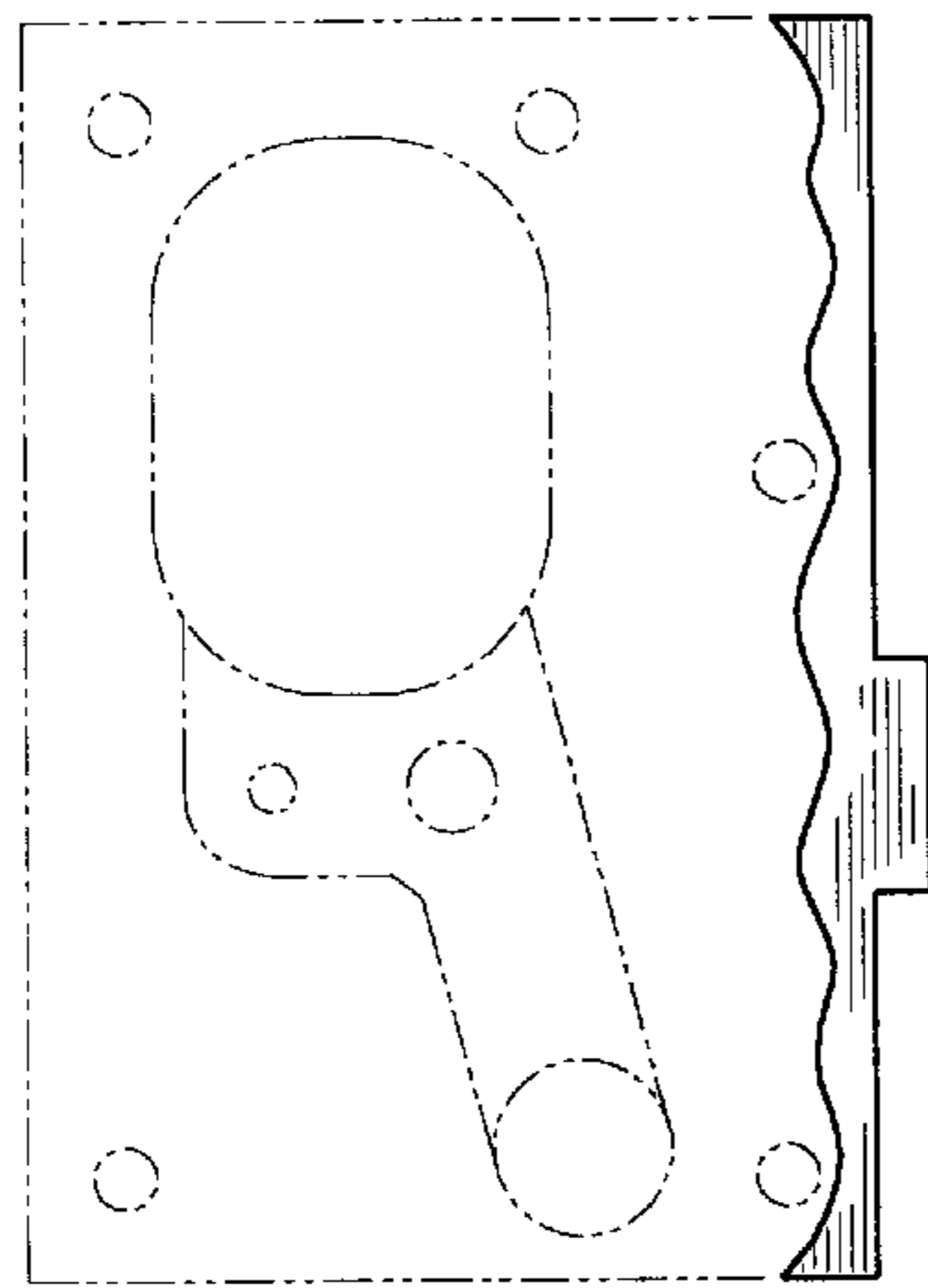


FIG-5

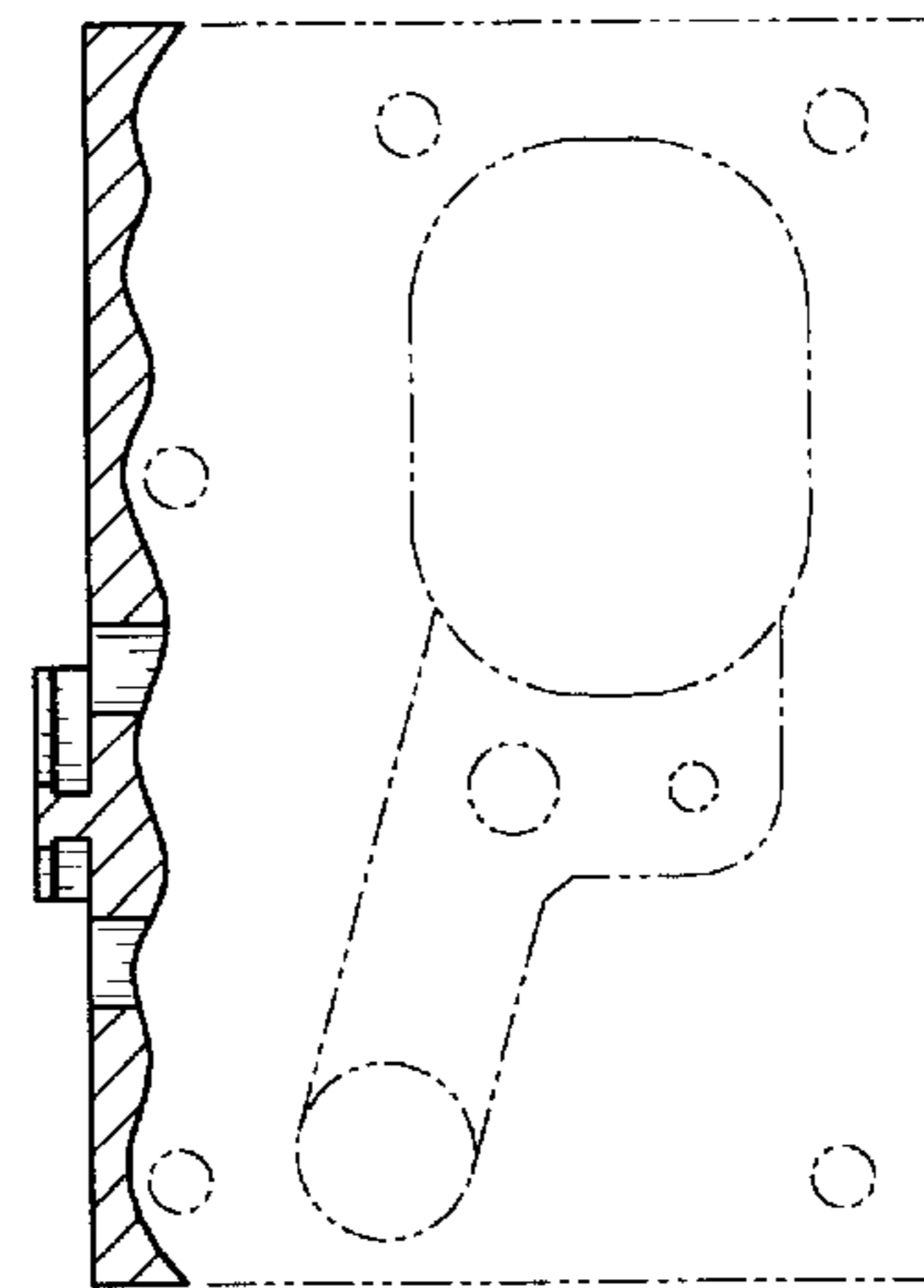


FIG-6