



US00D515175S

(12) **United States Design Patent**  
**Mayo et al.**

(10) **Patent No.: US D515,175 S**  
(45) **Date of Patent: \*\* Feb. 14, 2006**

(54) **BAIT STATION**  
(75) Inventors: **Roy G. Mayo**, St. Charles County, MO (US); **W. Stewart Clark**, St. Louis County, MO (US); **Thomas D. Kraatz**, St. Louis County, MO (US)

5,839,221 A 11/1998 Ron et al. .... 43/132.1  
5,983,558 A 11/1999 Las et al. .... 43/131  
D425,961 S \* 5/2000 Kemmis ..... D22/122  
D456,058 S \* 4/2002 Rollins ..... D22/122  
6,553,712 B1 4/2003 Majerowski et al. .... 43/131  
D495,773 S \* 9/2004 Duston et al. .... D22/122

\* cited by examiner

(73) Assignee: **Senoret Chemical Company**, St. Louis, MO (US)

*Primary Examiner*—Catherine R. Oliver  
(74) *Attorney, Agent, or Firm*—Paul M. Denk

(\*\*) Term: **14 Years**

(57) **CLAIM**

(21) Appl. No.: **29/215,860**

The ornamental design for the bait station, as shown and described.

(22) Filed: **Oct. 26, 2004**

**DESCRIPTION**

(51) **LOC (8) Cl.** ..... **22-06**

(52) **U.S. Cl.** ..... **D22/122**

(58) **Field of Classification Search** ..... D22/199–125;  
43/1, 58, 60, 107, 131, 132.1, 112–113, 124;  
248/530, 156, 545

See application file for complete search history.

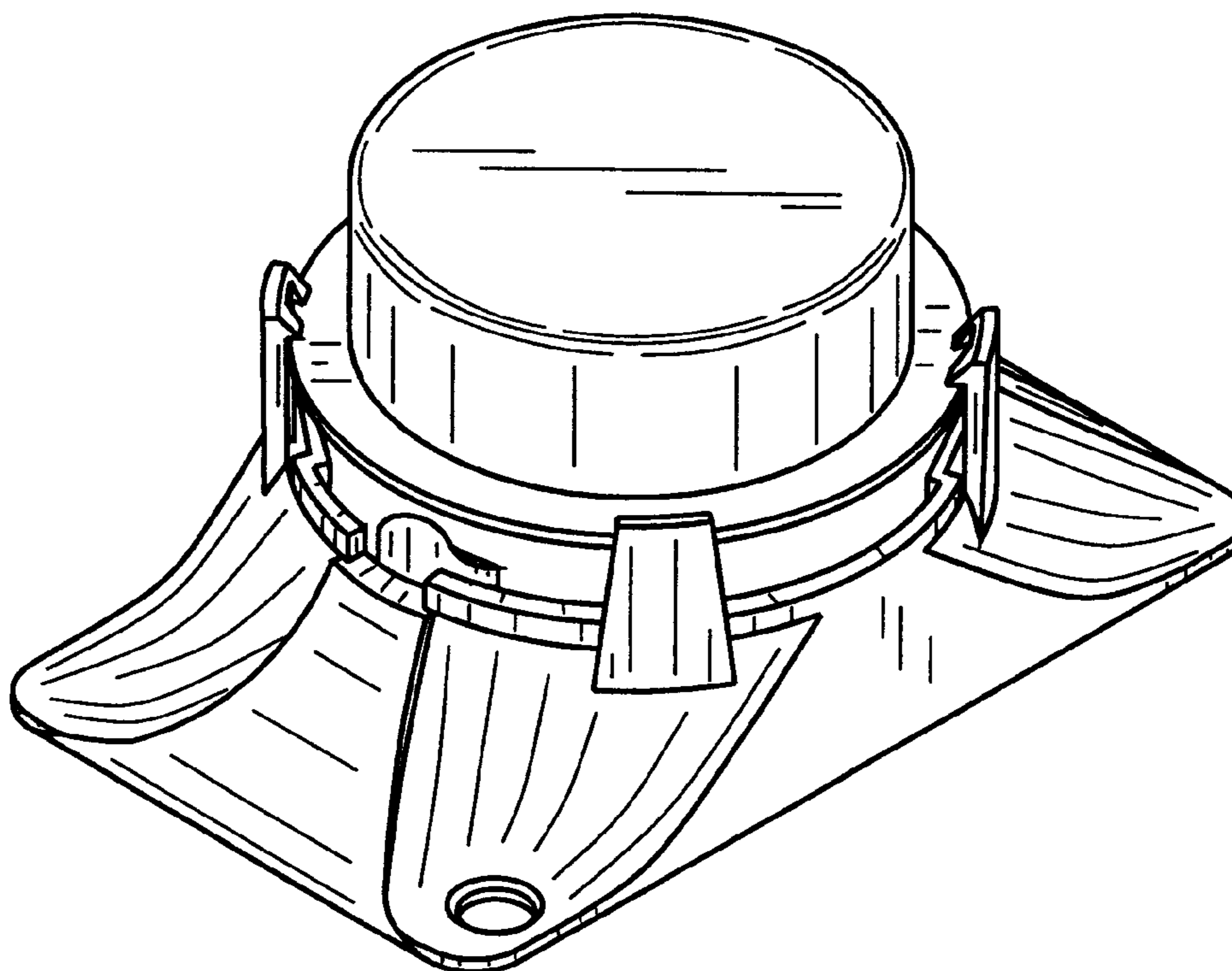
FIG. 1 is a perspective view of the bait station of this invention;  
FIG. 2 is a front elevation thereof, the rear elevation being a mirror image thereof;  
FIG. 3 is a side elevation, the opposite side elevation being a mirror image thereof;  
FIG. 4 is a top plan view;  
FIG. 5 is a bottom view thereof; and  
FIG. 6 is a perspective view of the bait station with the top cover removed;  
FIG. 7 is a front elevation of the bait station with the cover depressed during activation; and,  
FIG. 8 is a top plan view with the bait holding cover removed.

(56) **References Cited**

**U.S. PATENT DOCUMENTS**

3,538,866 A 11/1970 Gaines ..... 111/118  
3,727,840 A 4/1973 Nigro ..... 239/43  
4,247,042 A 1/1981 Schimanski et al. .... 239/43  
4,526,320 A 7/1985 von Philipp et al. .... 239/43  
4,630,775 A 12/1986 Mandon et al. .... 239/56  
D374,703 S \* 10/1996 Dickson et al. .... D22/122  
D392,365 S \* 3/1998 Demarest et al. .... D22/122

**1 Claim, 2 Drawing Sheets**



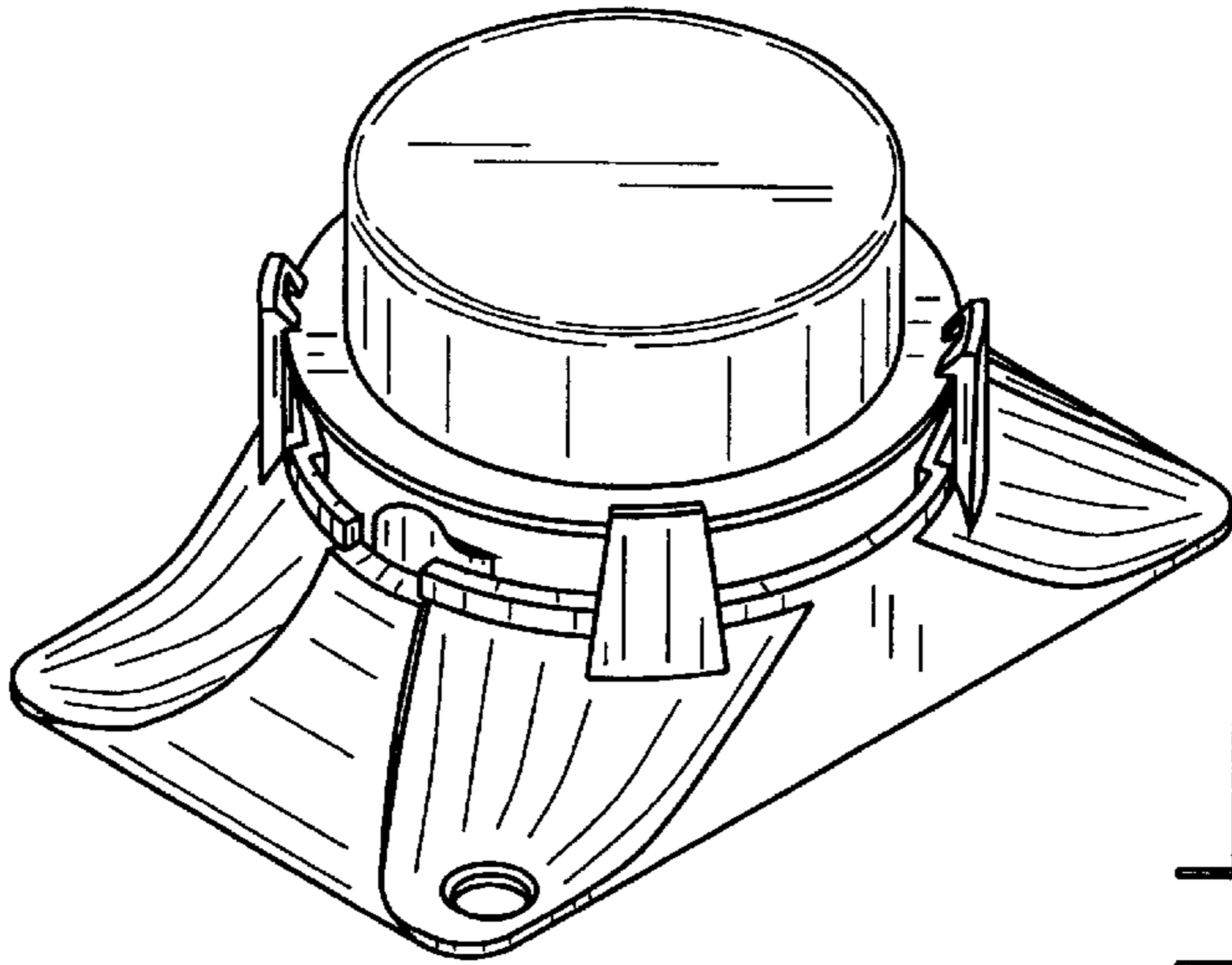


FIG. 1

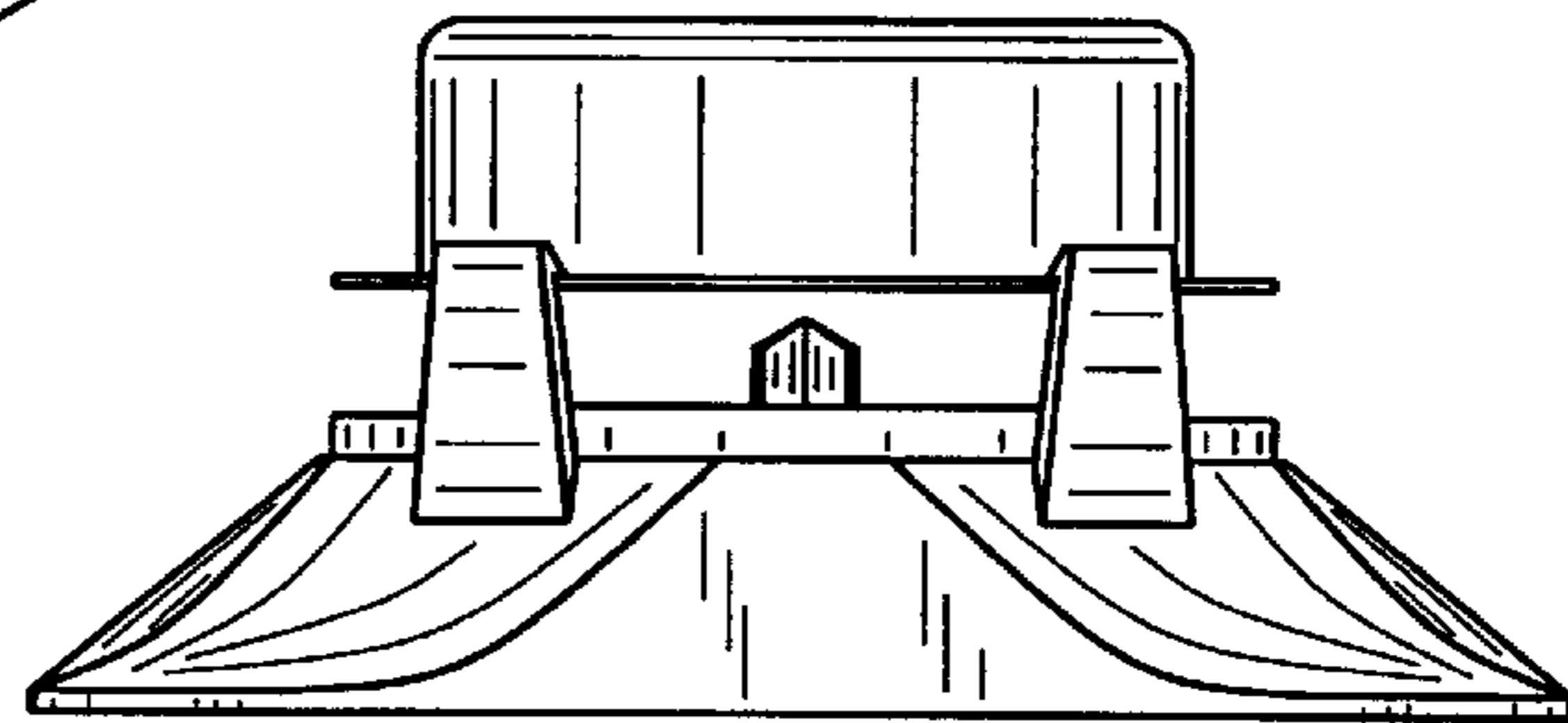


FIG. 2

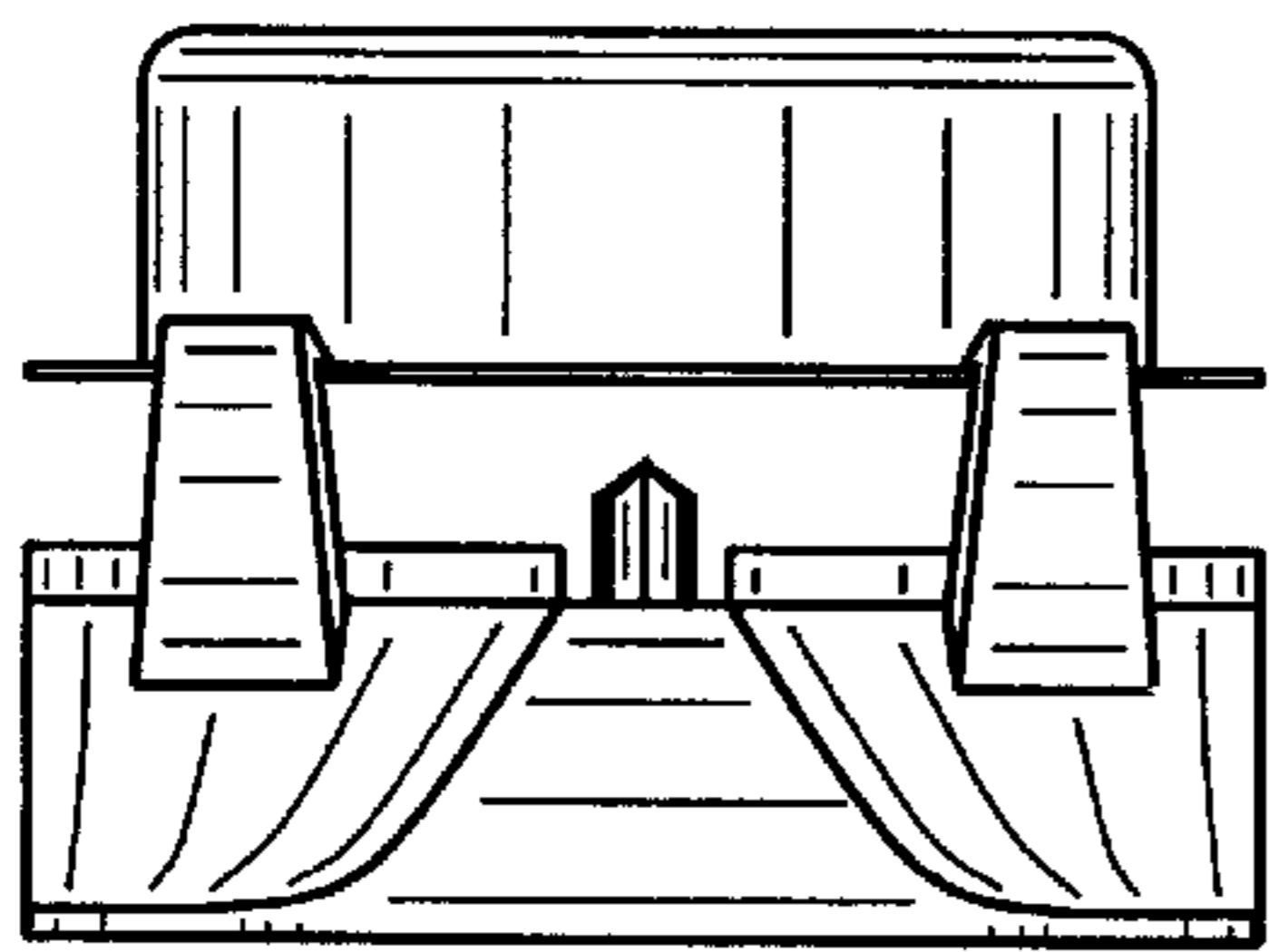


FIG. 3

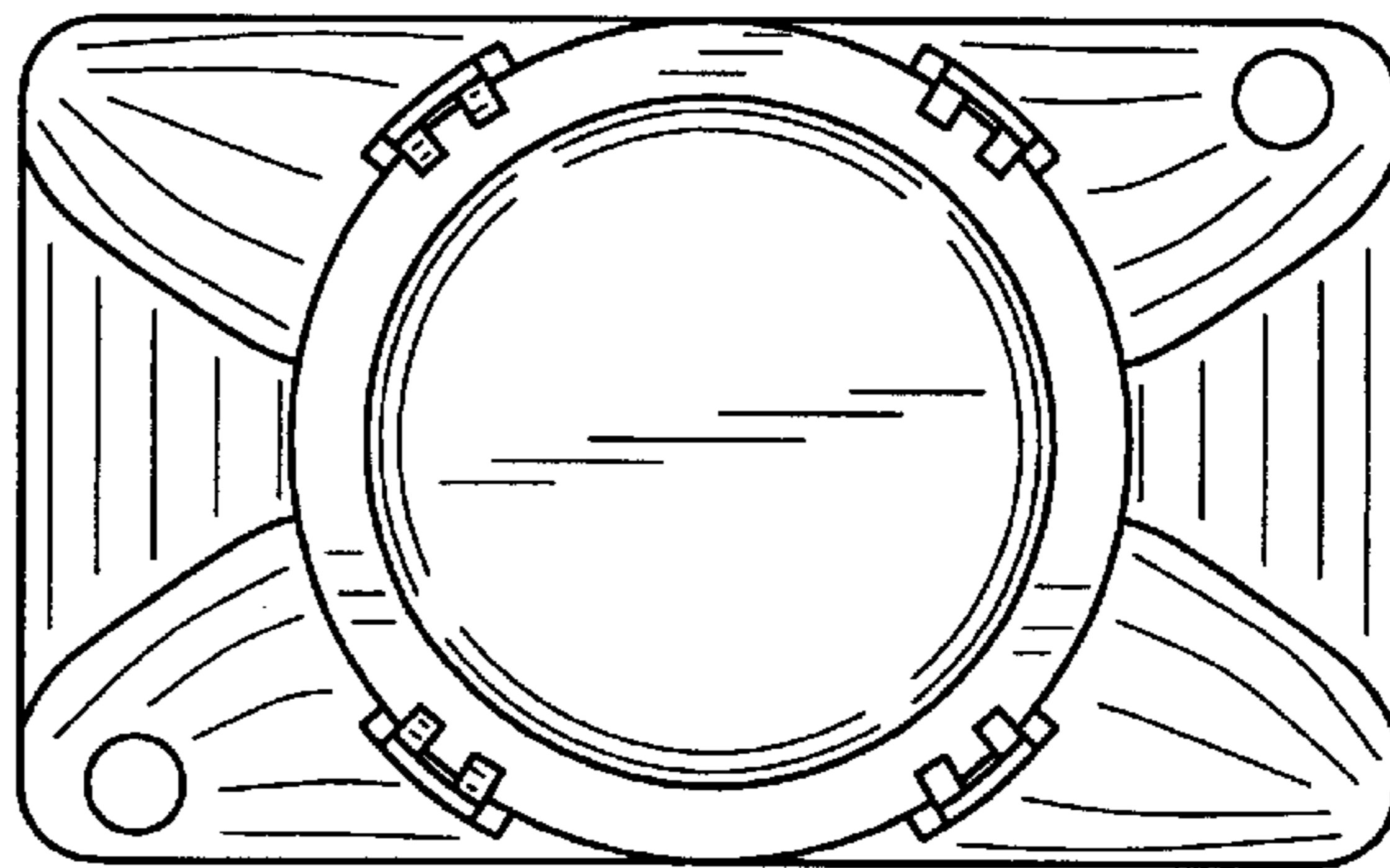


FIG. 4

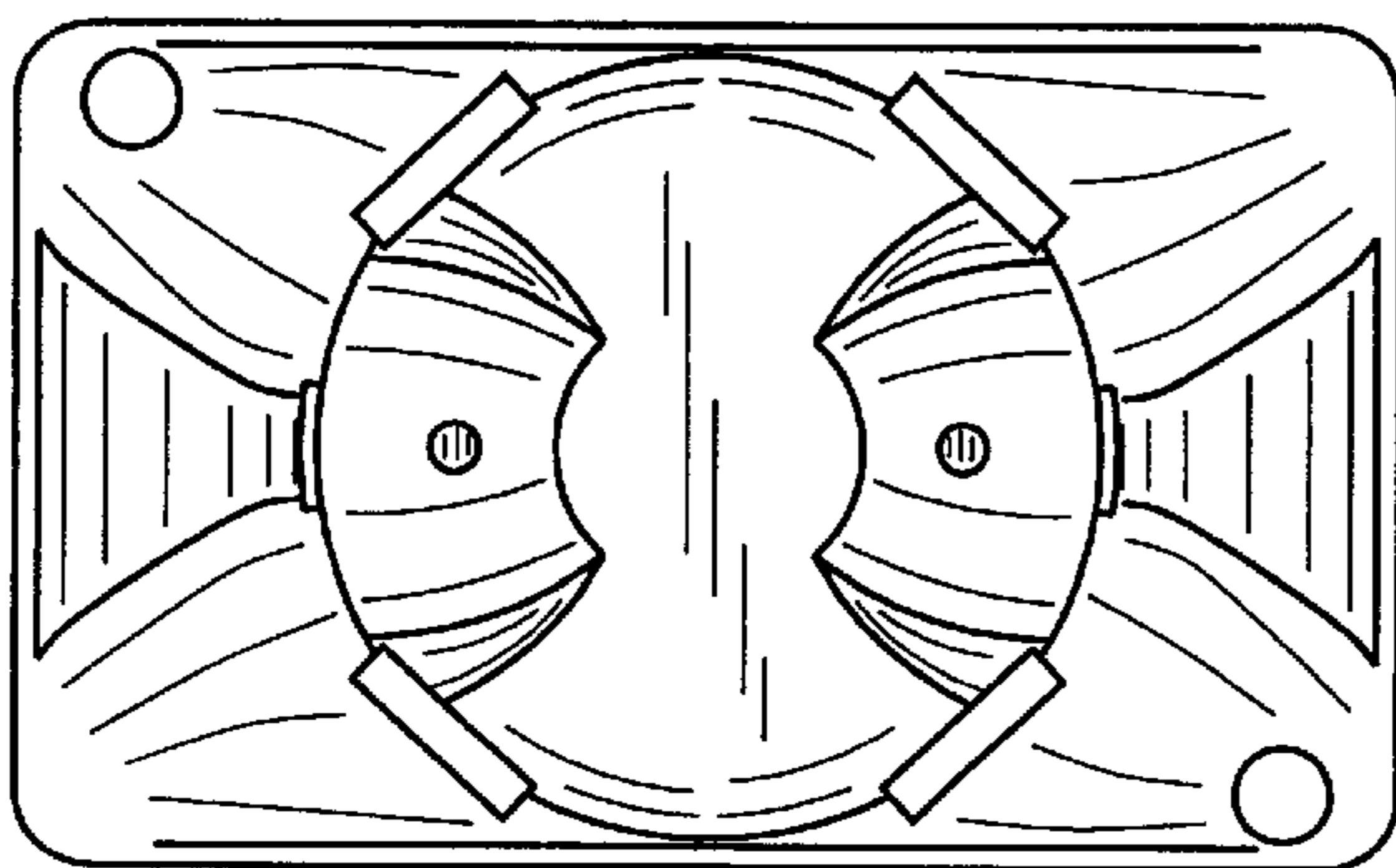


FIG. 5

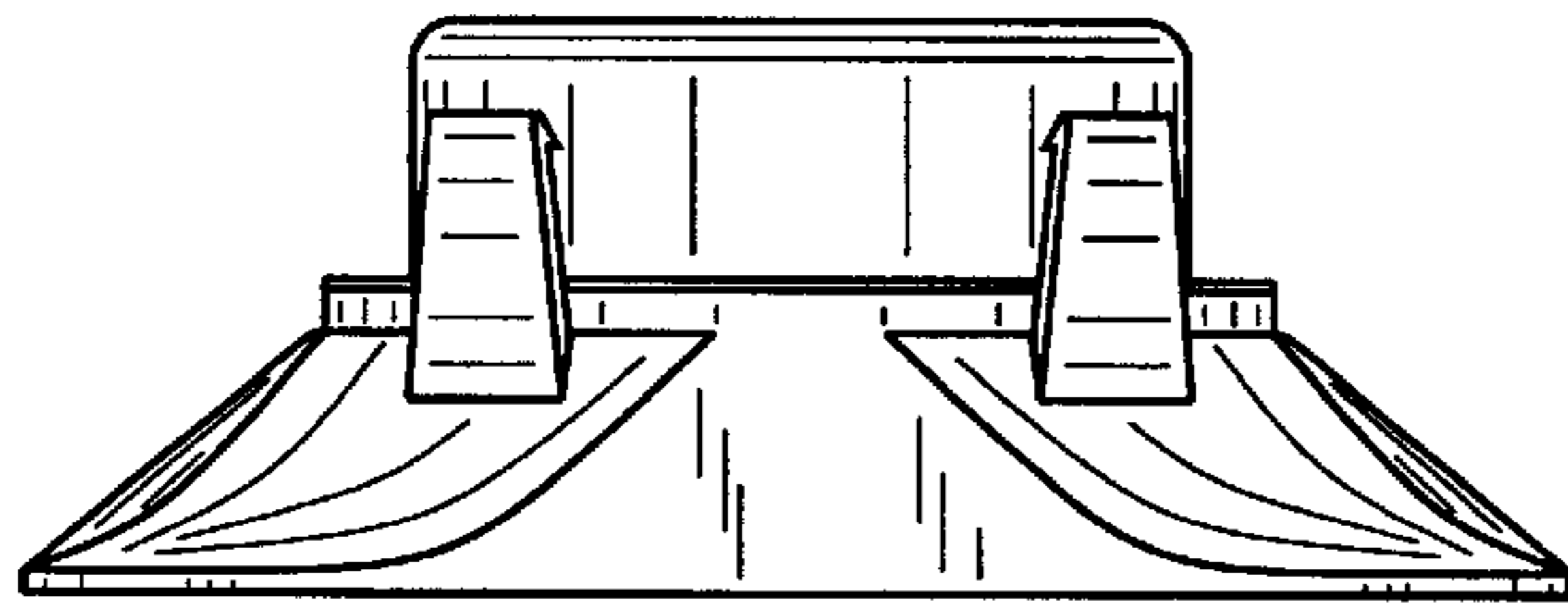
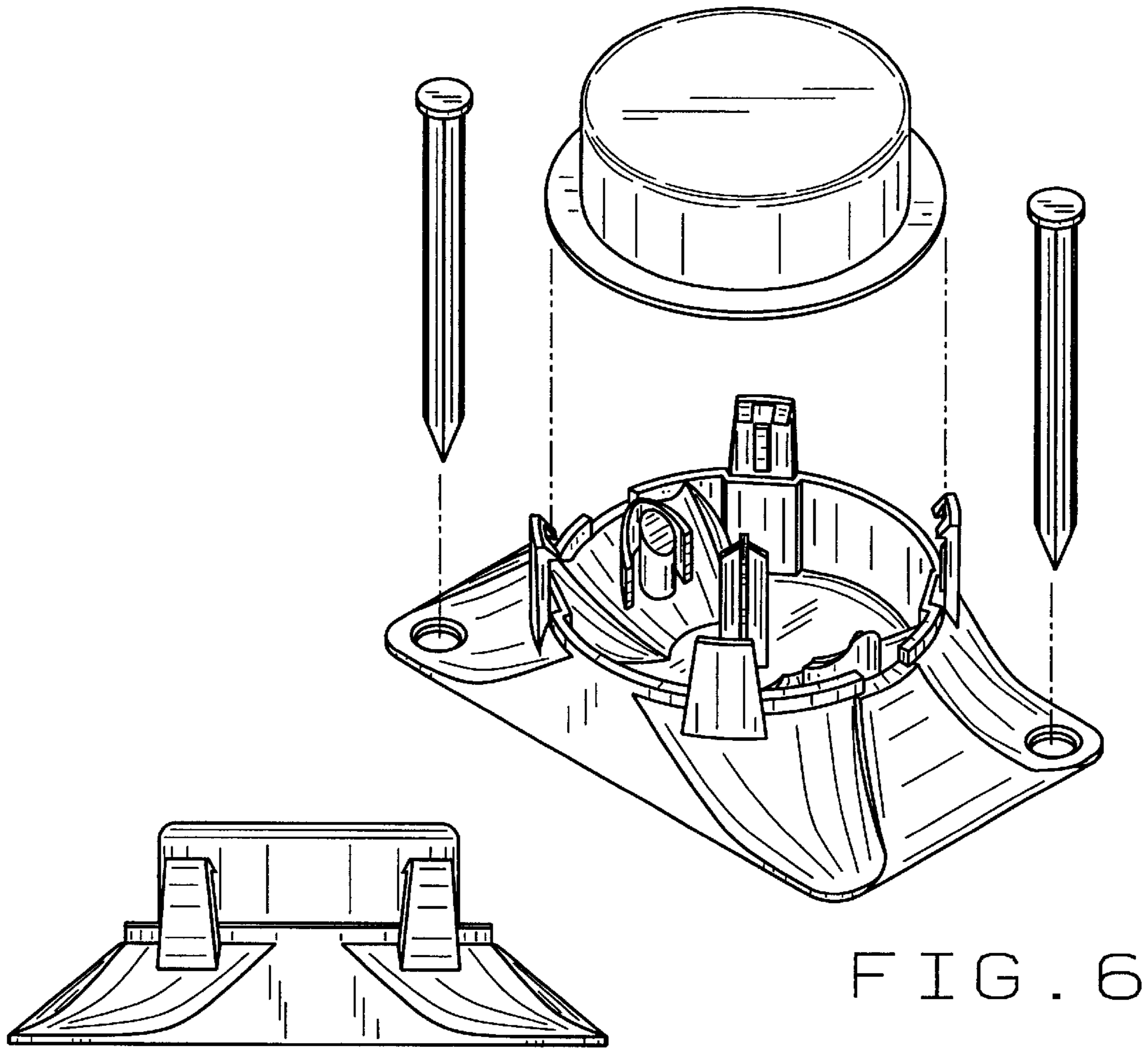


FIG. 7

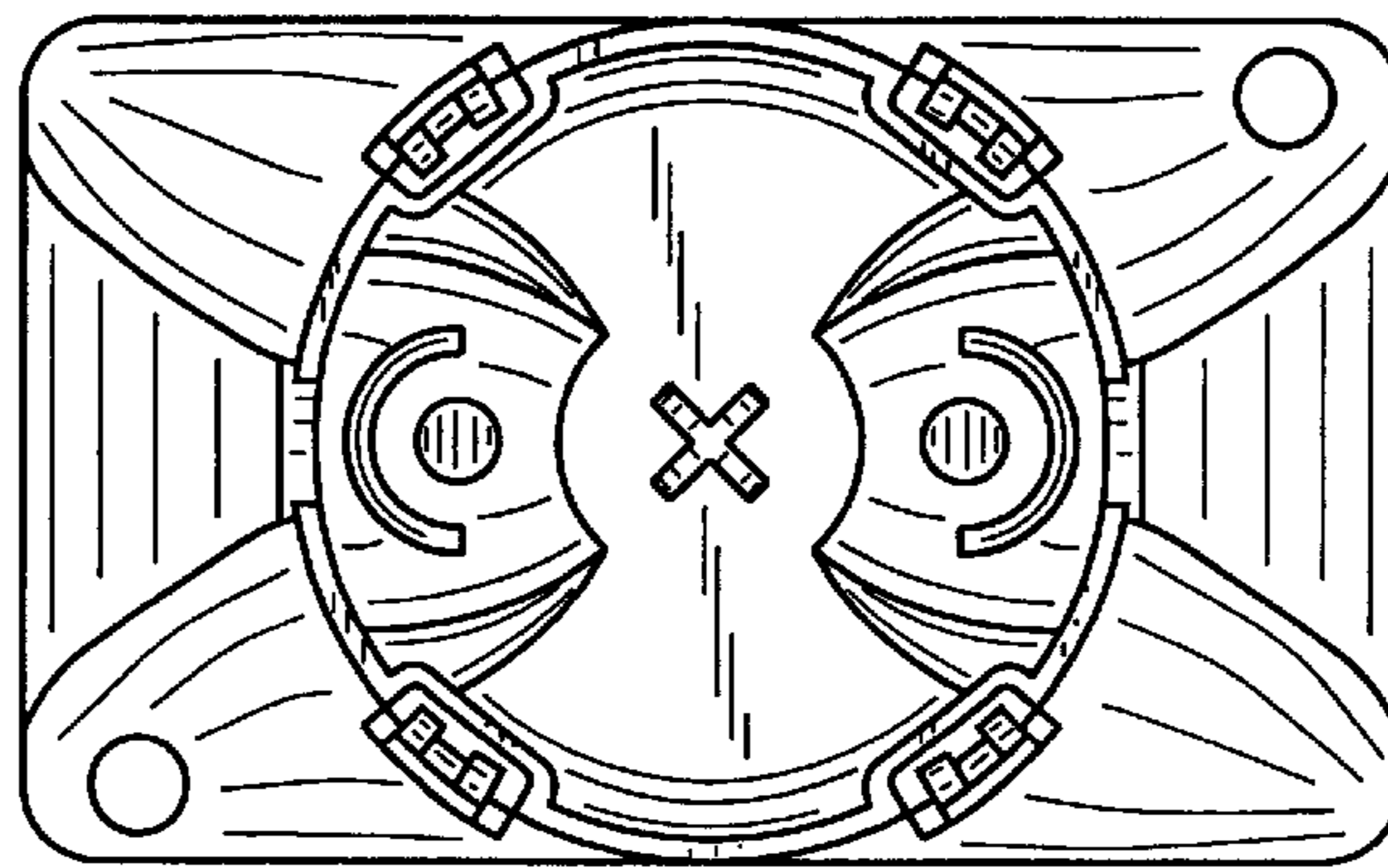


FIG. 8