



US00D515172S

(12) **United States Design Patent**  
**Farrell, III**

(10) **Patent No.:** **US D515,172 S**  
(45) **Date of Patent:** **\*\* Feb. 14, 2006**

(54) **DAGGER**

D494,246 S \* 8/2004 Rae et al. .... D22/118

(75) Inventor: **Frederick R. Farrell, III**, Northridge,  
CA (US)

\* cited by examiner

*Primary Examiner*—Catherine R. Oliver

(73) Assignee: **James A. Frost**, Ooltewah, TN (US)

(74) *Attorney, Agent, or Firm*—Blank Rome LLP

(\*\*) Term: **14 Years**

(57) **CLAIM**

The ornamental design for a dagger, as shown and described.

(21) Appl. No.: **29/216,846**

**DESCRIPTION**

(22) Filed: **Nov. 10, 2004**

(51) **LOC (8) Cl.** ..... **22-02**

(52) **U.S. Cl.** ..... **D22/118**

(58) **Field of Classification Search** ..... D22/118;  
D21/568; D8/95-99; 30/295, 299, 342, 345,  
30/151, 340, 329

See application file for complete search history.

FIG. 1 is a front side elevational view of the dagger in accordance with an embodiment of the present design, the rear side view being the mirror image of FIG. 1;

FIG. 2 is a left side elevational view of the dagger illustrated in FIG. 1;

FIG. 3 is a right side elevational view of the dagger illustrated in FIGS. 1-2; and

FIG. 4 is a top plan view of the dagger illustrated in FIGS. 1-3; and,

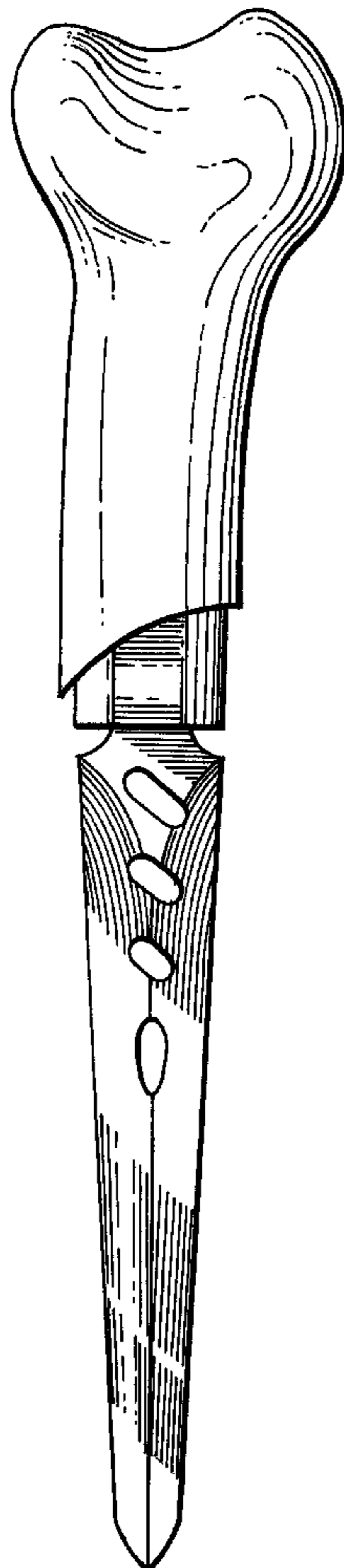
FIG. 5 is a bottom plan view of the dagger illustrated in FIGS. 1-4.

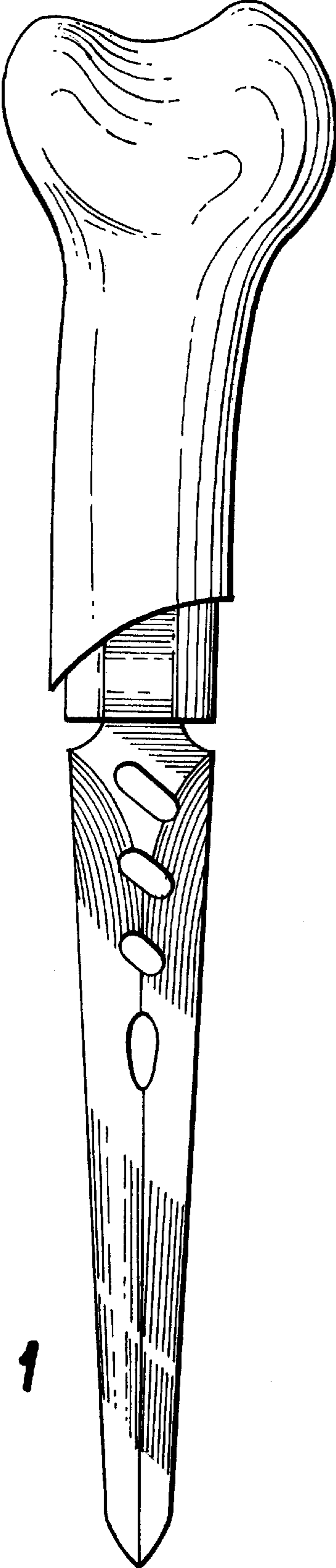
(56) **References Cited**

**U.S. PATENT DOCUMENTS**

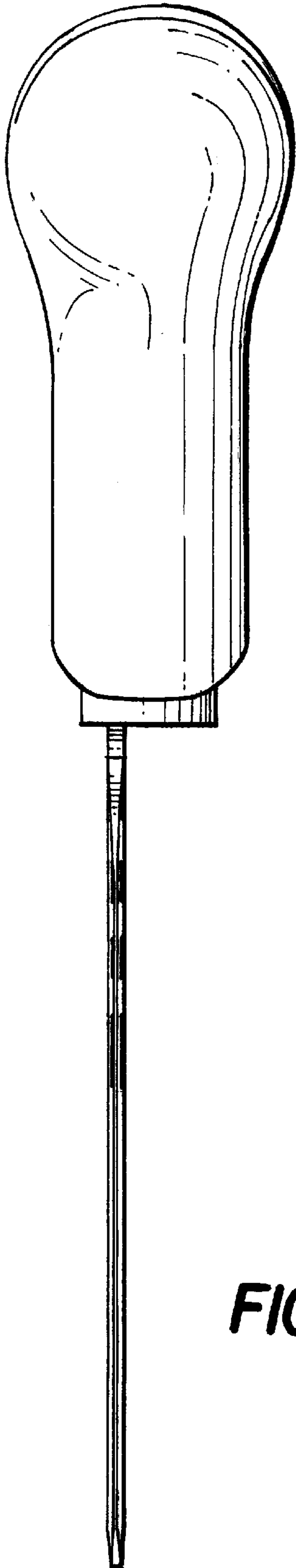
D473,627 S \* 4/2003 Rae ..... D22/118  
D473,920 S \* 4/2003 Rae ..... D22/118

**1 Claim, 3 Drawing Sheets**

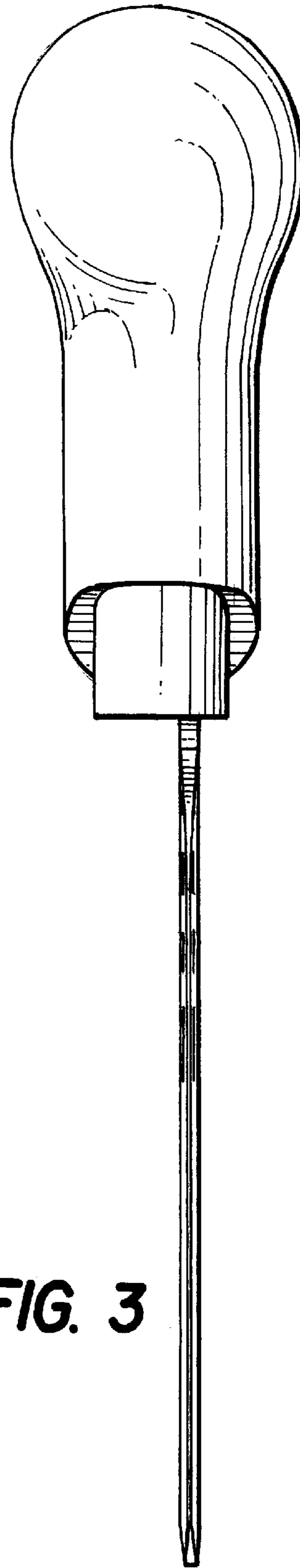




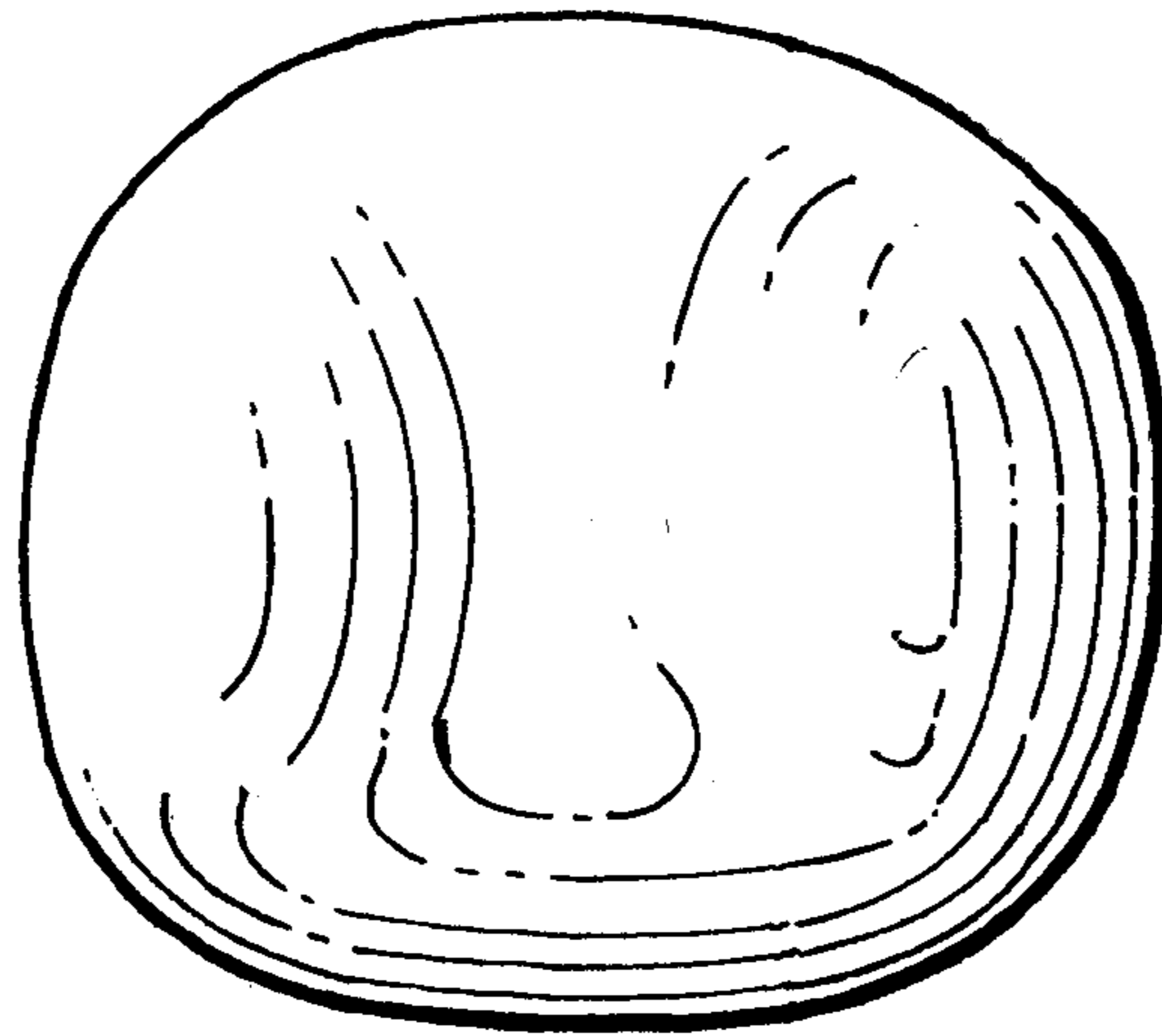
**FIG. 1**



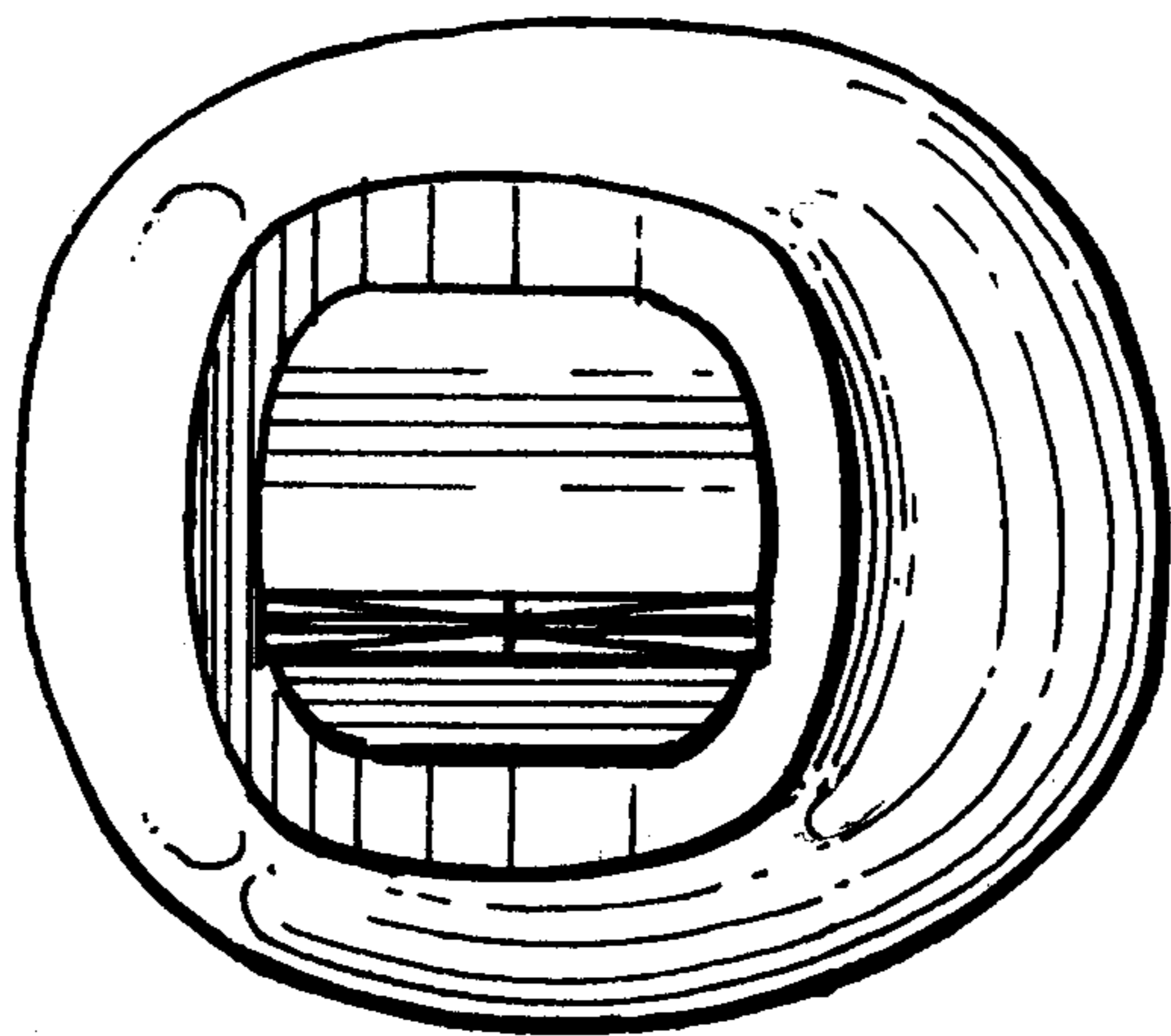
**FIG. 2**



**FIG. 3**



**FIG. 4**



**FIG. 5**