

US00D515170S

(12) **United States Design Patent** (10) **Patent No.:** **US D515,170 S**
Price (45) **Date of Patent:** **** Feb. 14, 2006**

(54) **FIREARM SIGHT ASSEMBLY**

(76) Inventor: **Donald H. Price**, 1574 Coburg Rd.,
Suite 194, Eugene, OR (US) 97401

(**) Term: **14 Years**

(21) Appl. No.: **29/209,859**

(22) Filed: **Jul. 21, 2004**

(51) **LOC (8) Cl.** **22-01**

(52) **U.S. Cl.** **D22/109**

(58) **Field of Classification Search** D22/100,
D22/108, 109, 110, 199; 42/111-113, 120,
42/124, 134, 145; 89/41.19, 161, 200-204;
33/227

See application file for complete search history.

(56) **References Cited**

U.S. PATENT DOCUMENTS

888,182 A	3/1908	Thompson	
1,171,310 A	2/1916	Bisbee	
1,268,537 A	6/1918	Bader	
1,363,553 A	* 12/1920	Barringer	42/145
1,755,635 A	4/1930	Dindinger	
2,706,335 A	4/1955	Munsey	
D296,227 S	* 6/1988	Novak	D22/109
D351,449 S	* 10/1994	Dagley	D22/109
D361,366 S	* 8/1995	Emerson	D22/109
D363,334 S	* 10/1995	De Oliveira Masina	D22/109
D382,038 S	8/1997	Nigh	
5,822,872 A	10/1998	Waki	
D403,734 S	* 1/1999	Kay	D22/109
6,058,616 A	5/2000	Bubits	
D428,102 S	* 7/2000	Flubacher et al.	D22/109
D432,618 S	* 10/2000	Wilson	D22/109
D435,080 S	* 12/2000	Ling, Jr.	D22/109
D435,282 S	* 12/2000	Ling, Jr.	D22/109
D436,393 S	* 1/2001	Ling, Jr.	D22/109
D443,016 S	* 5/2001	Nigh	D22/109
6,233,836 B1	* 5/2001	Uhlmann et al.	42/145

6,360,471 B1	* 3/2002	Stein	42/122
D492,747 S	* 7/2004	LoRocco	D22/109
6,804,908 B1	* 10/2004	Hanson et al.	42/111

* cited by examiner

Primary Examiner—Louis S. Zarfes

Assistant Examiner—Melanie Levy

(74) *Attorney, Agent, or Firm*—Heisler & Associates

(57) **CLAIM**

The ornamental design for a firearm sight assembly, as shown and described.

DESCRIPTION

FIG. 1 is a perspective view of the firearm sight assembly; FIG. 2 is a front elevation view of the forward portion of the invention;

FIG. 3 is a top plan view of FIG. 2;

FIG. 4 is a left side view of FIG. 2, the right side view being a mirror image;

FIG. 5 is a bottom plan view of FIG. 2;

FIG. 6 is a rear elevation view of FIG. 2;

FIG. 7 is a front elevation view of the rearward portion of the invention;

FIG. 8 is a top plan view of FIG. 7;

FIG. 9 is a left side view of FIG. 7, the right side view being a mirror image;

FIG. 10 is a bottom plan view of FIG. 7;

FIG. 11 is a rear elevation view of FIG. 7;

FIG. 12 is a front elevation view of FIG. 1;

FIG. 13 is a top plan view of FIG. 1;

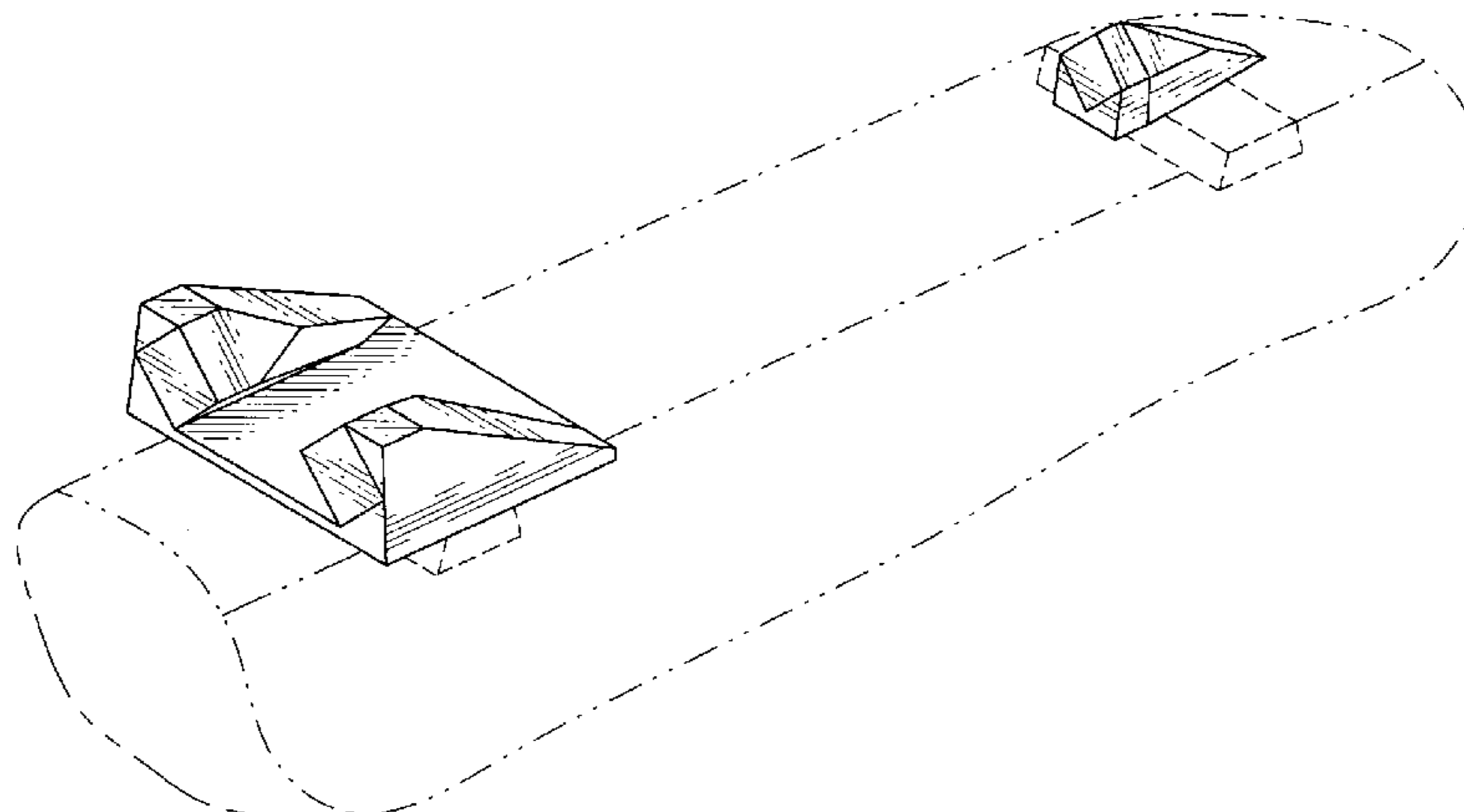
FIG. 14 is a left side view of FIG. 1, the right side view being a mirror image;

FIG. 15 is a top plan view of FIG. 1; and,

FIG. 16 is a rear elevation view of FIG. 1.

The broken lines are for purposes of illustration only and form no part of the claimed design.

1 Claim, 4 Drawing Sheets



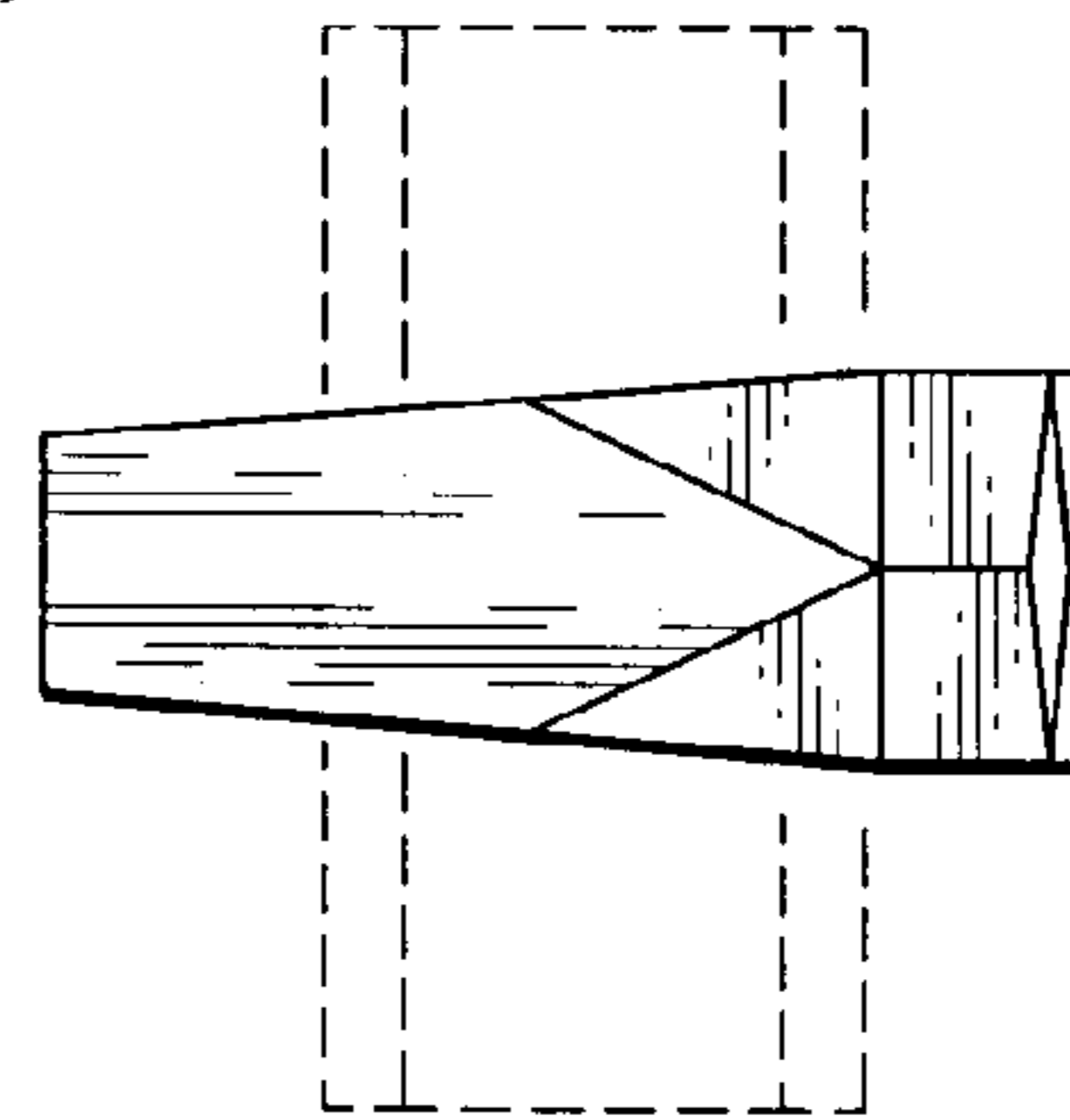
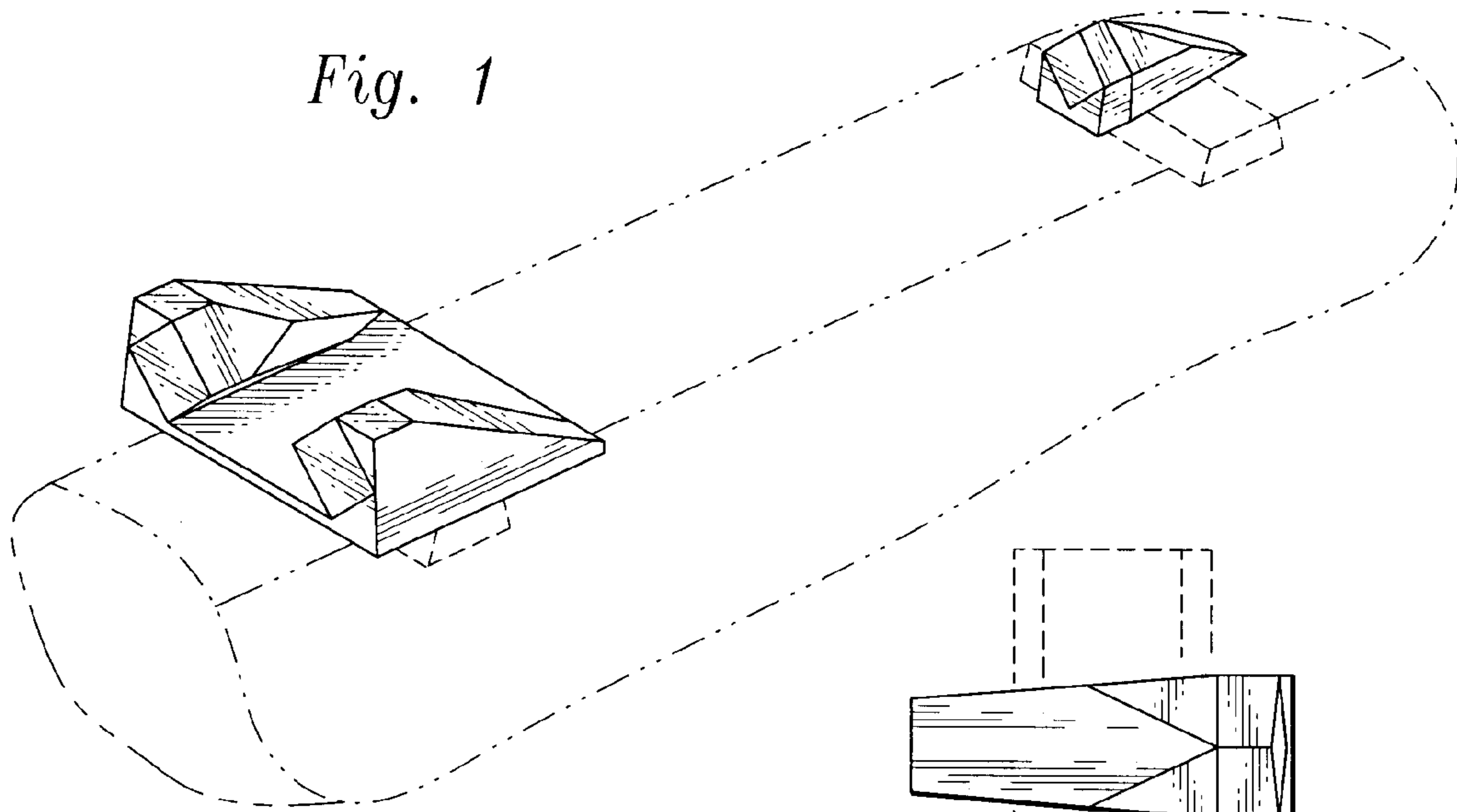


Fig. 3

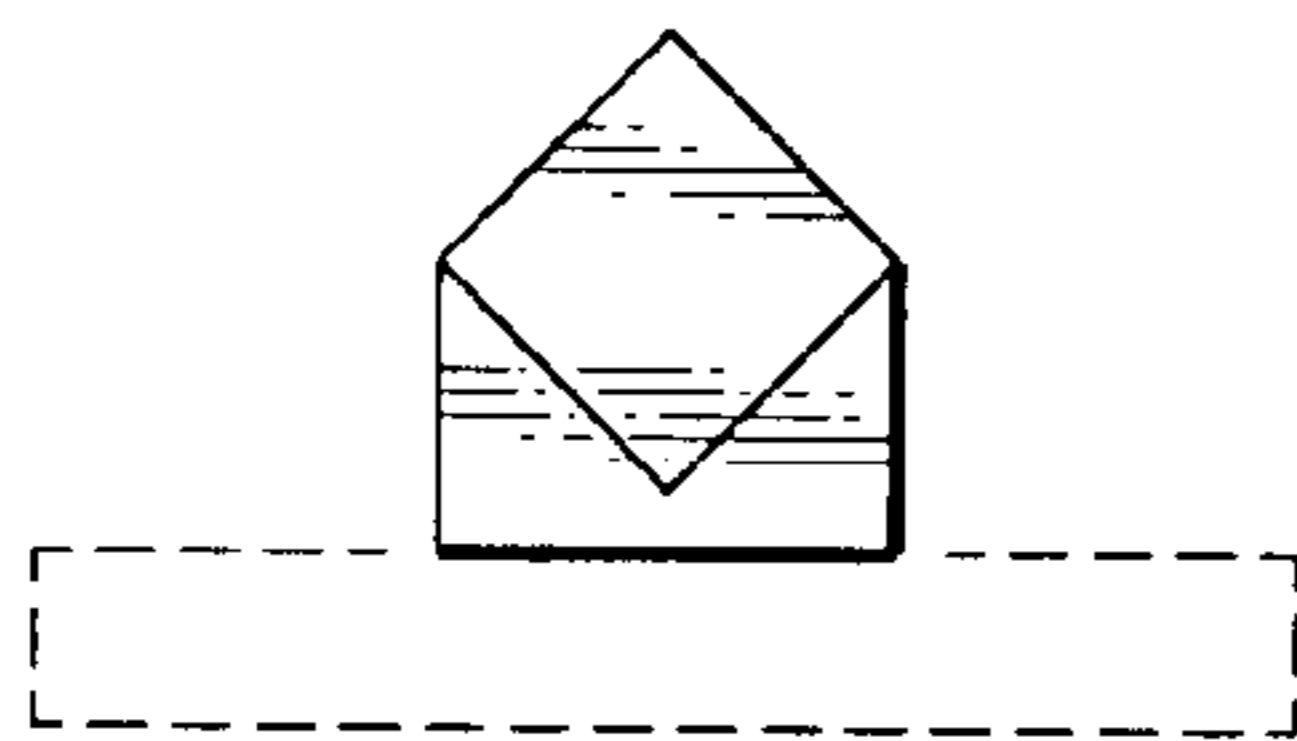


Fig. 2

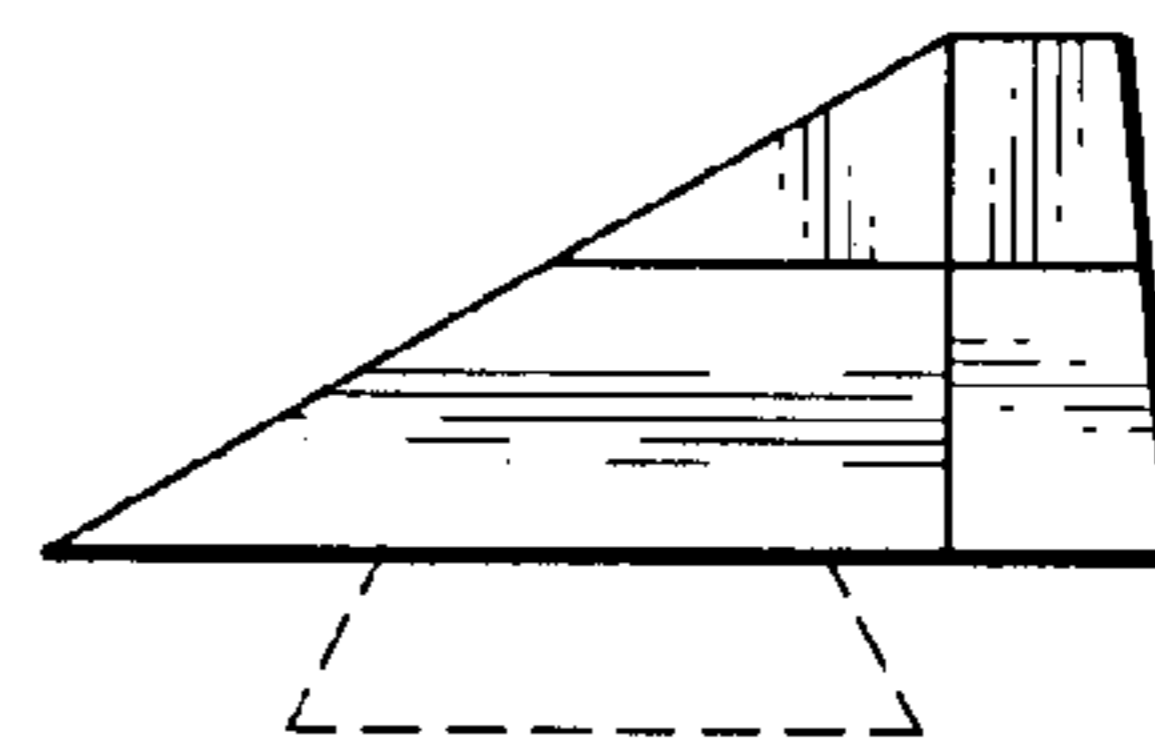


Fig. 4

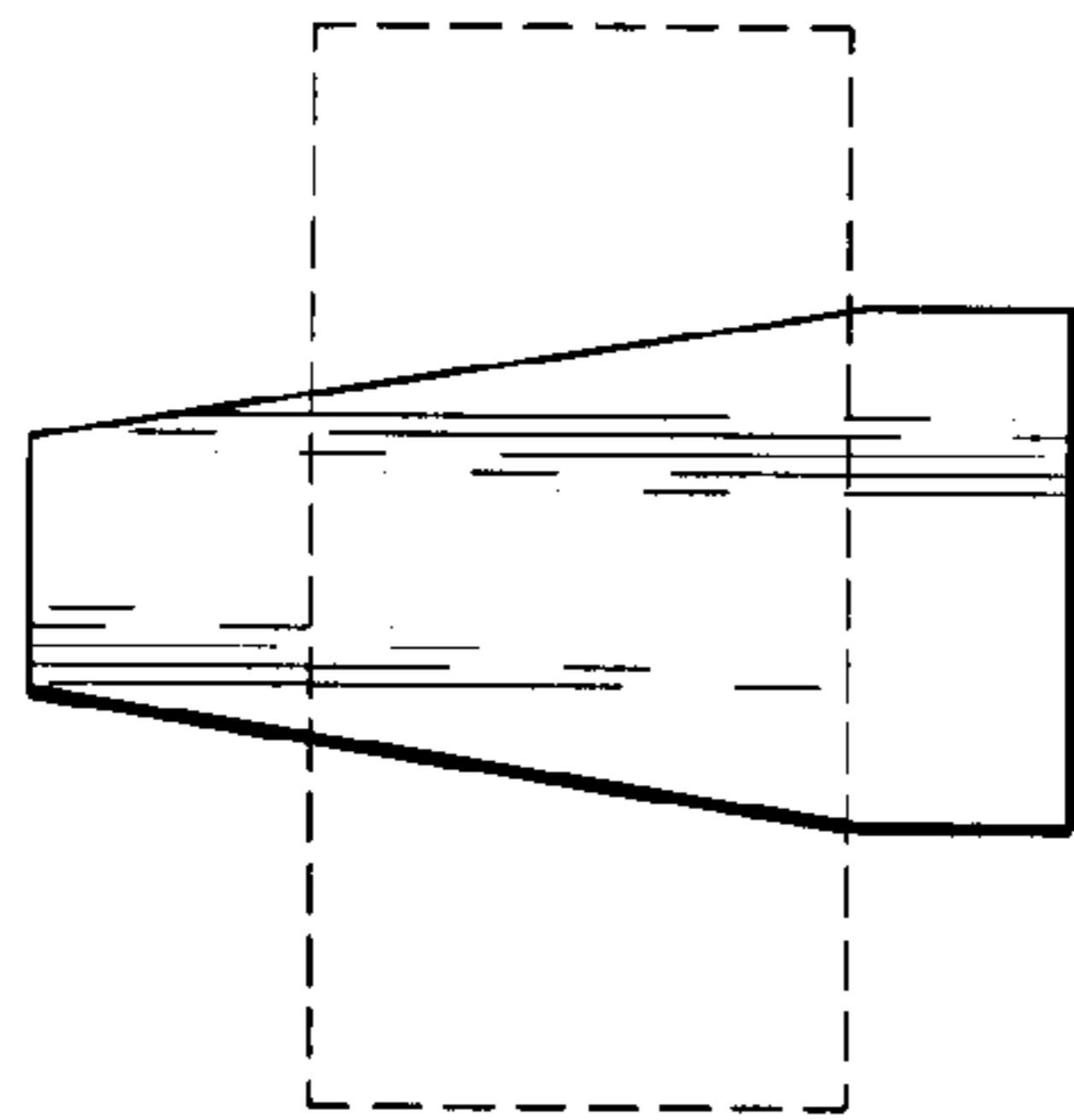


Fig. 5

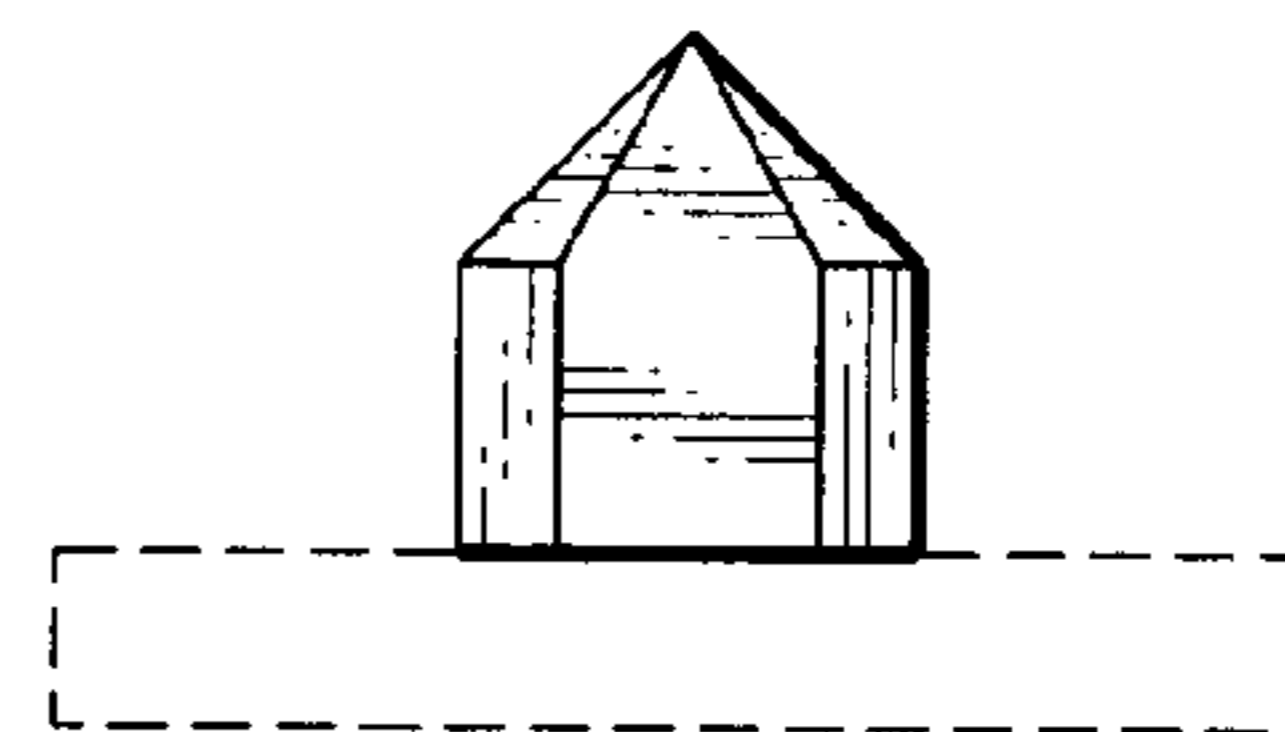


Fig. 6

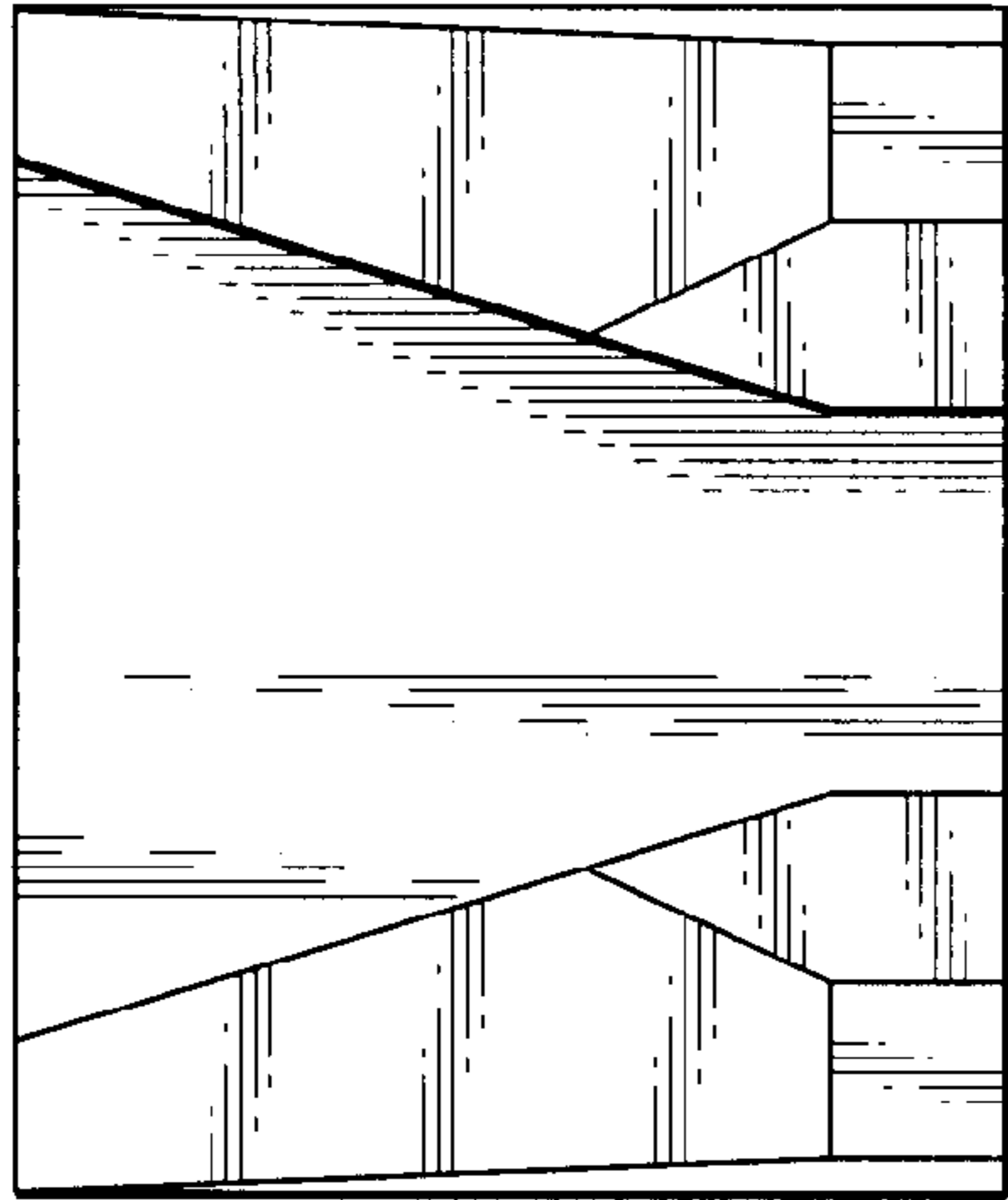


Fig. 8

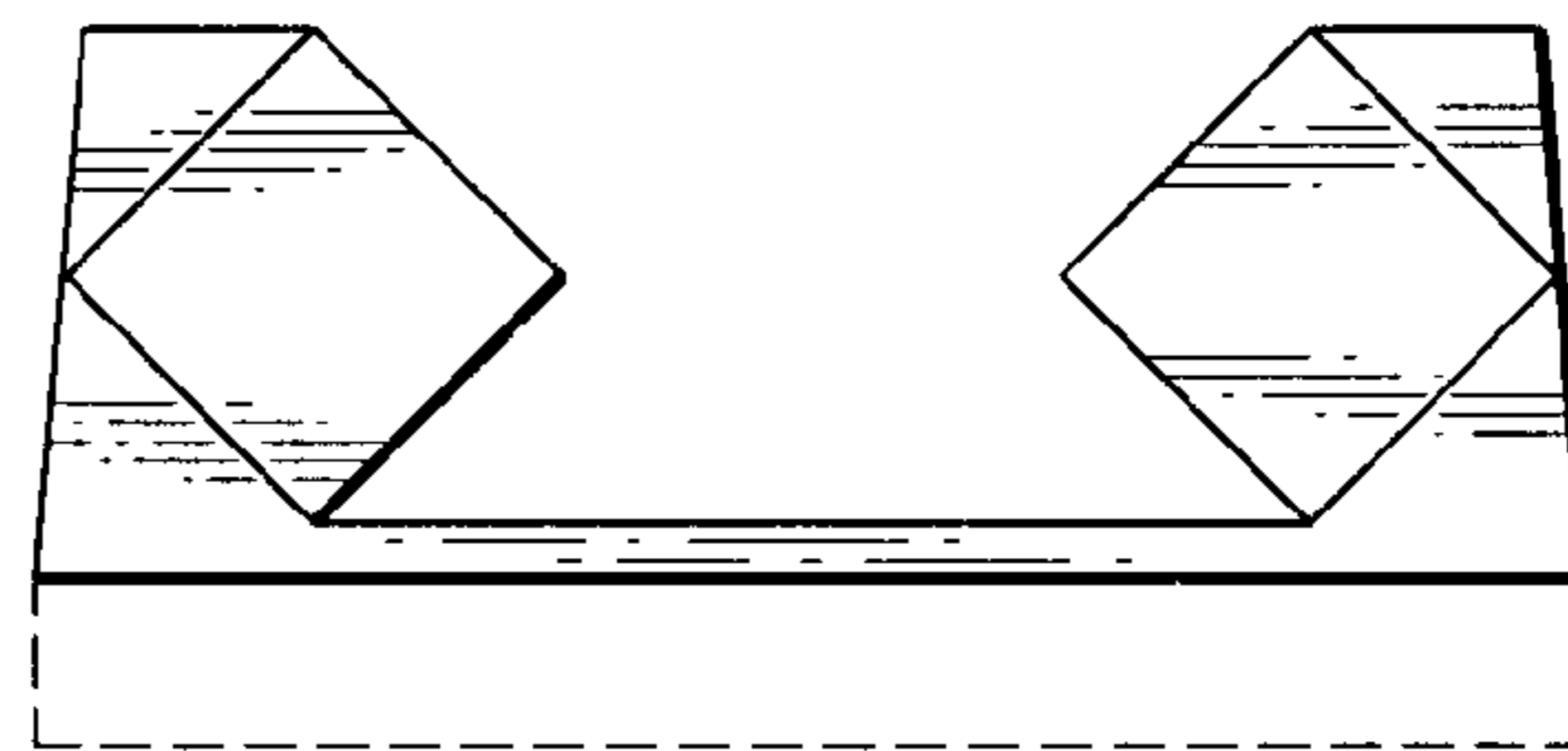


Fig. 7

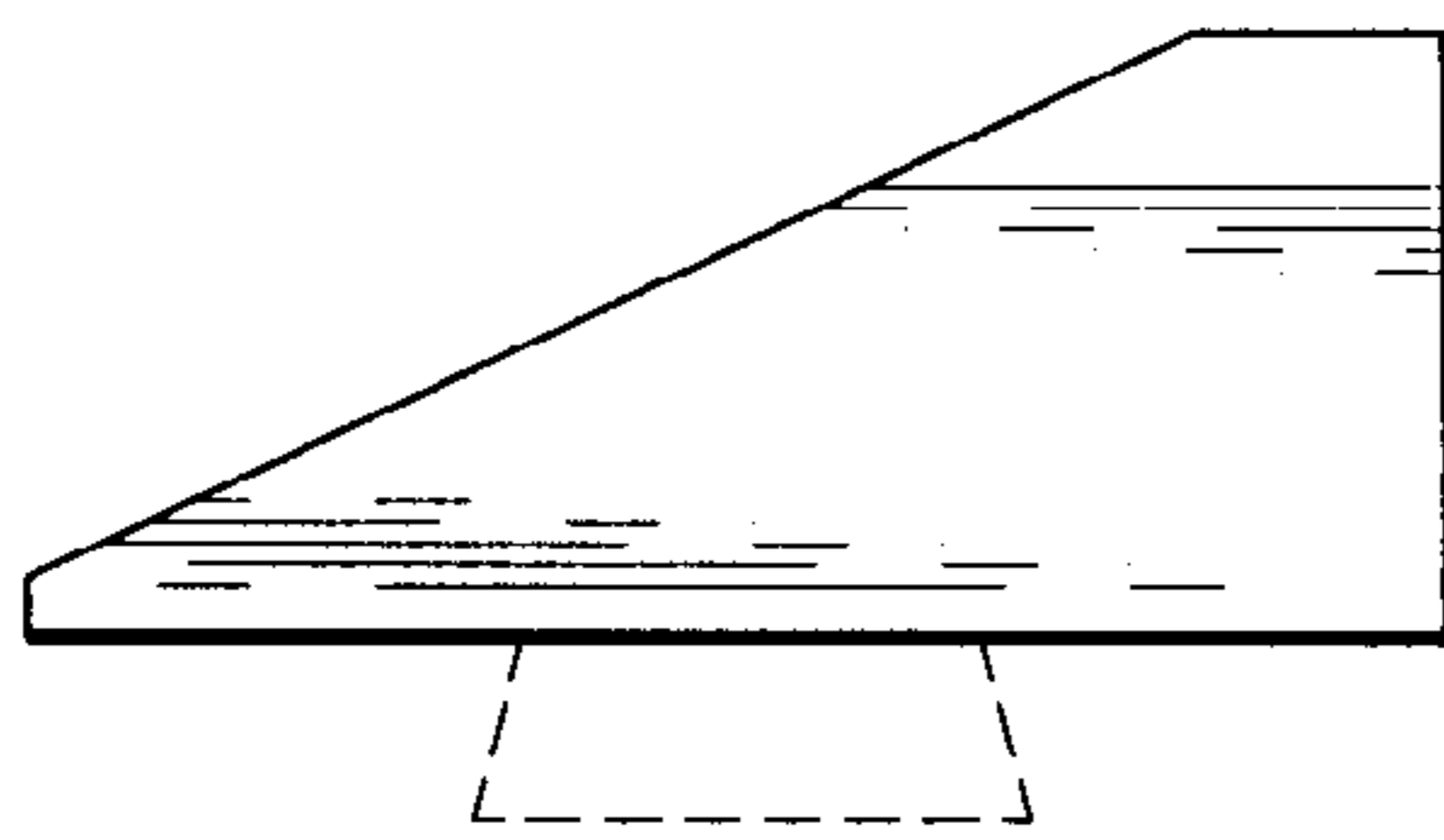


Fig. 9

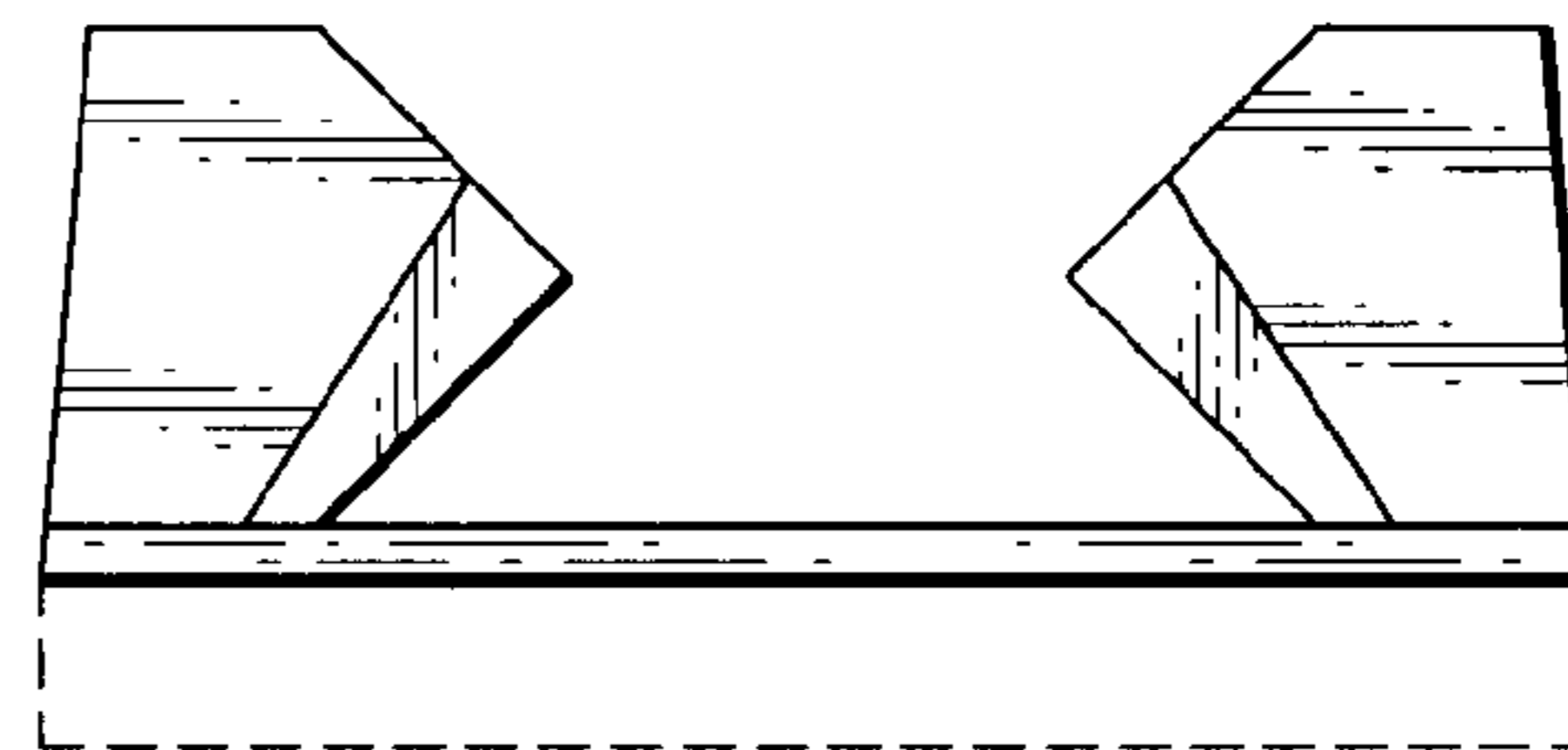


Fig. 11

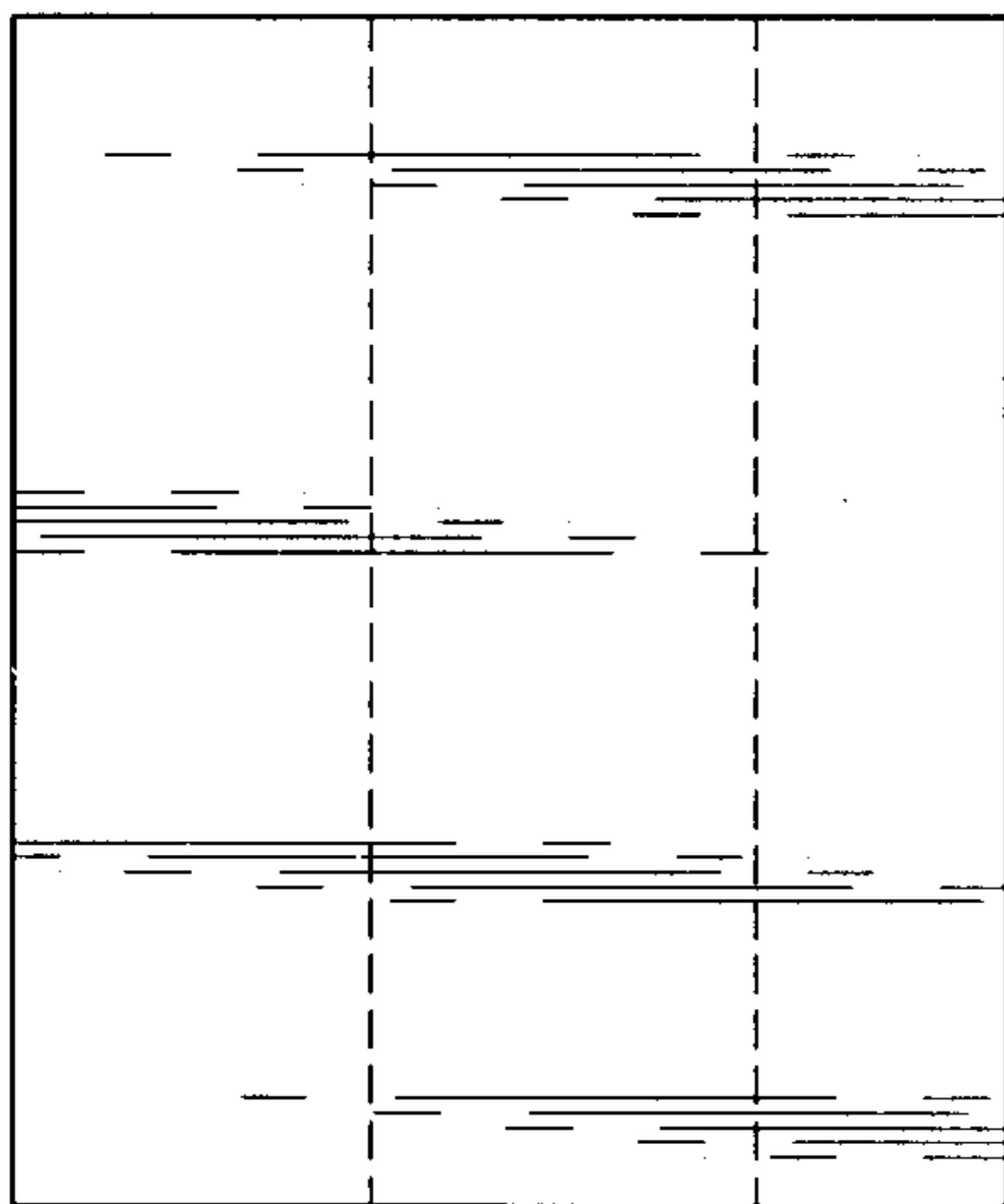


Fig. 10

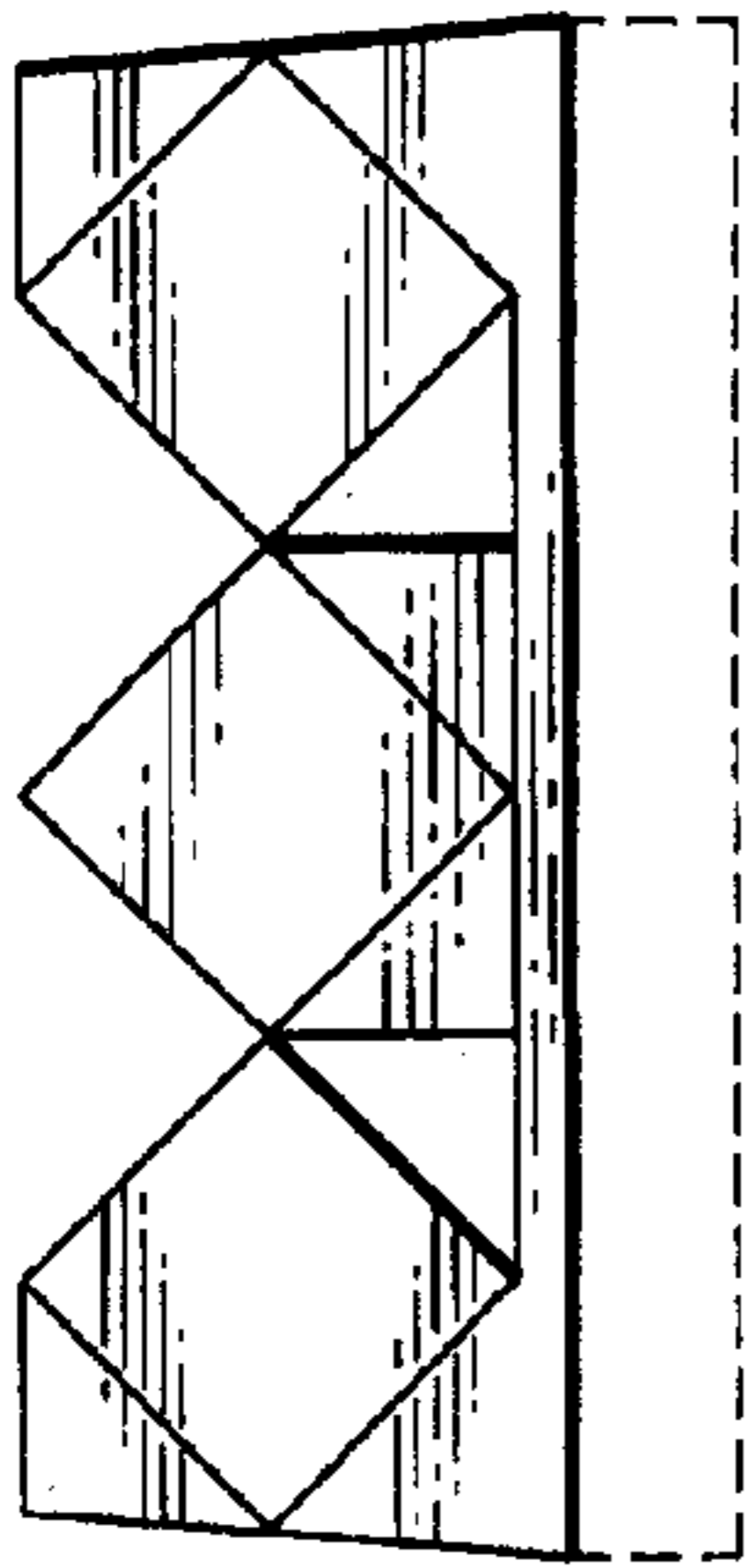


Fig. 12

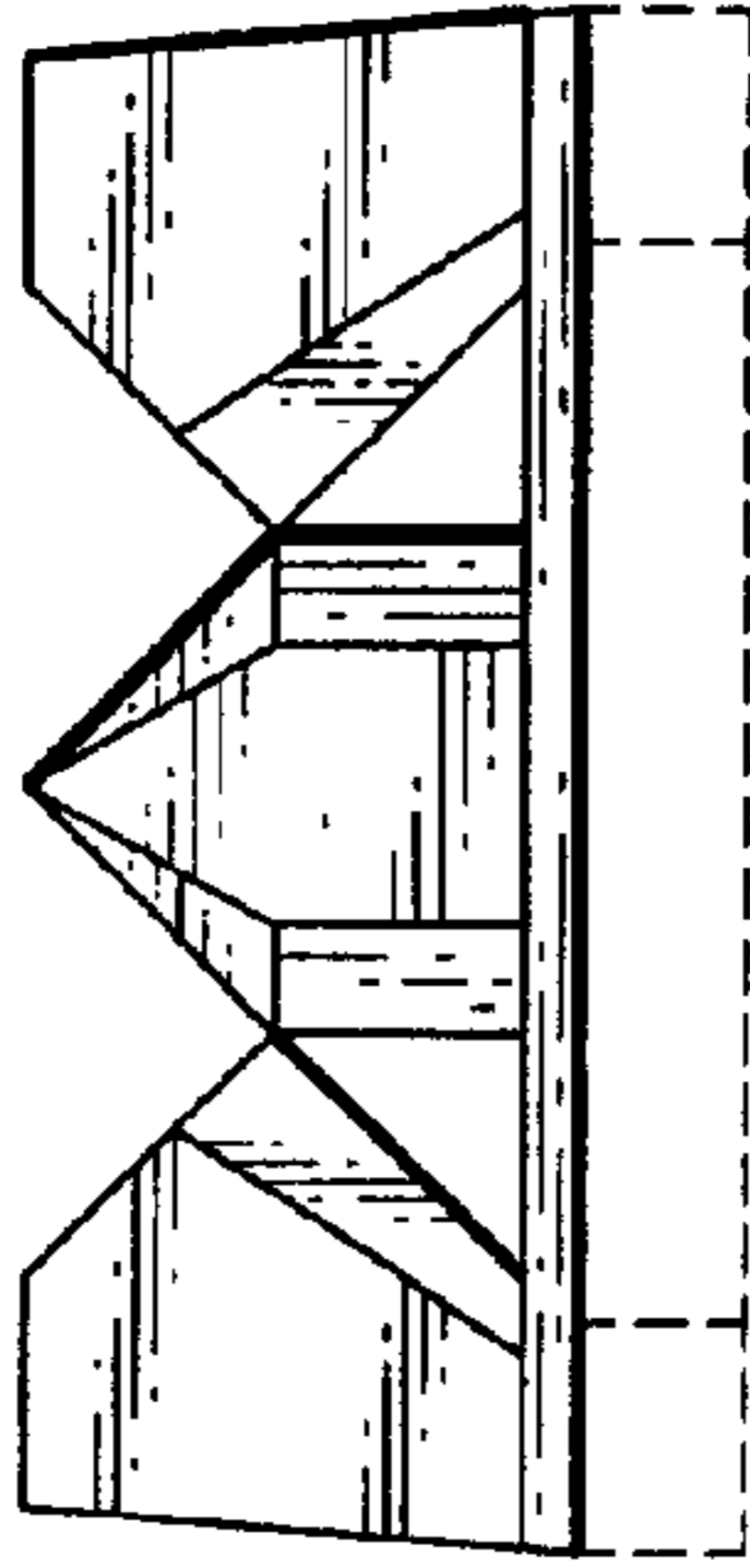


Fig. 16

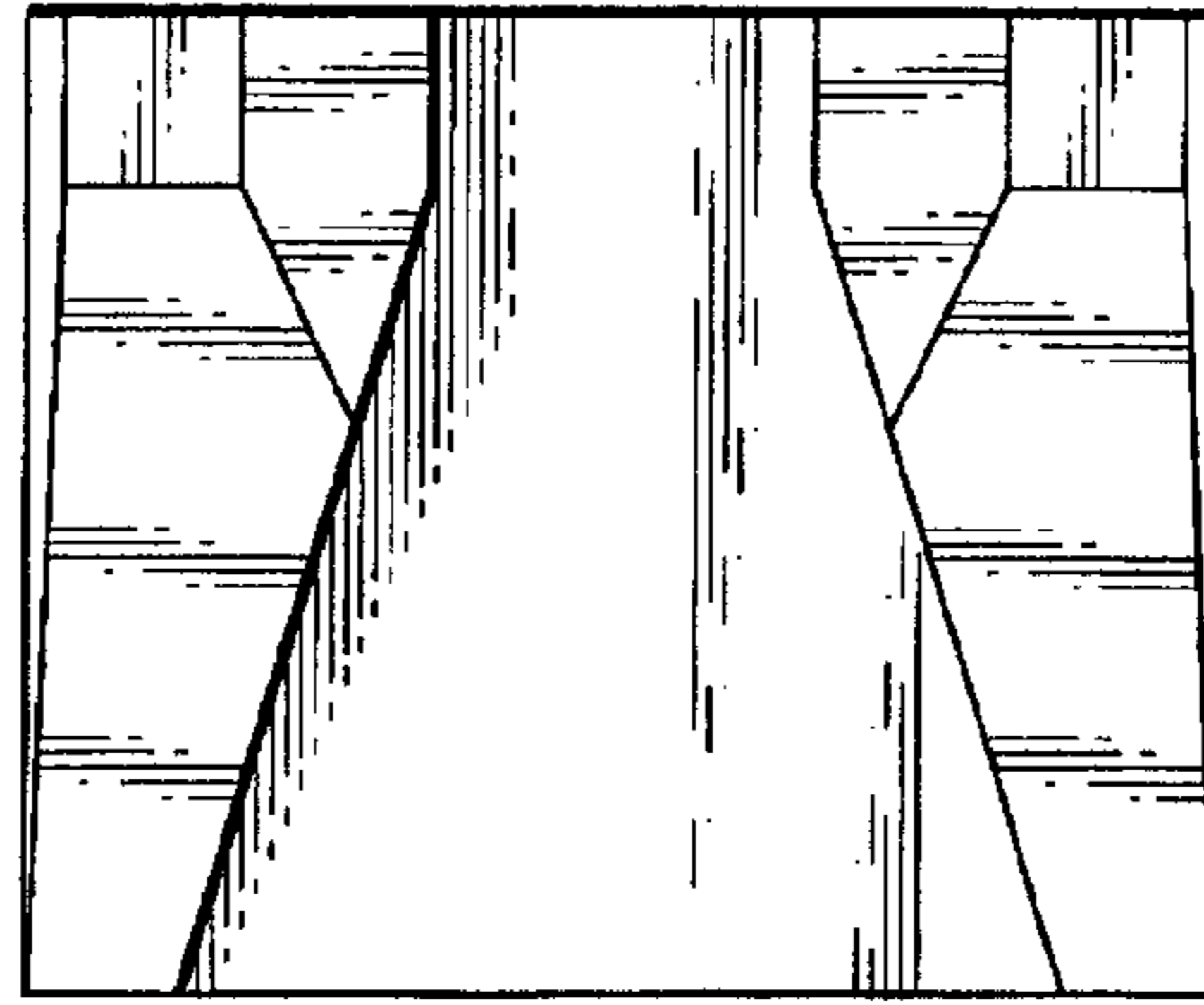
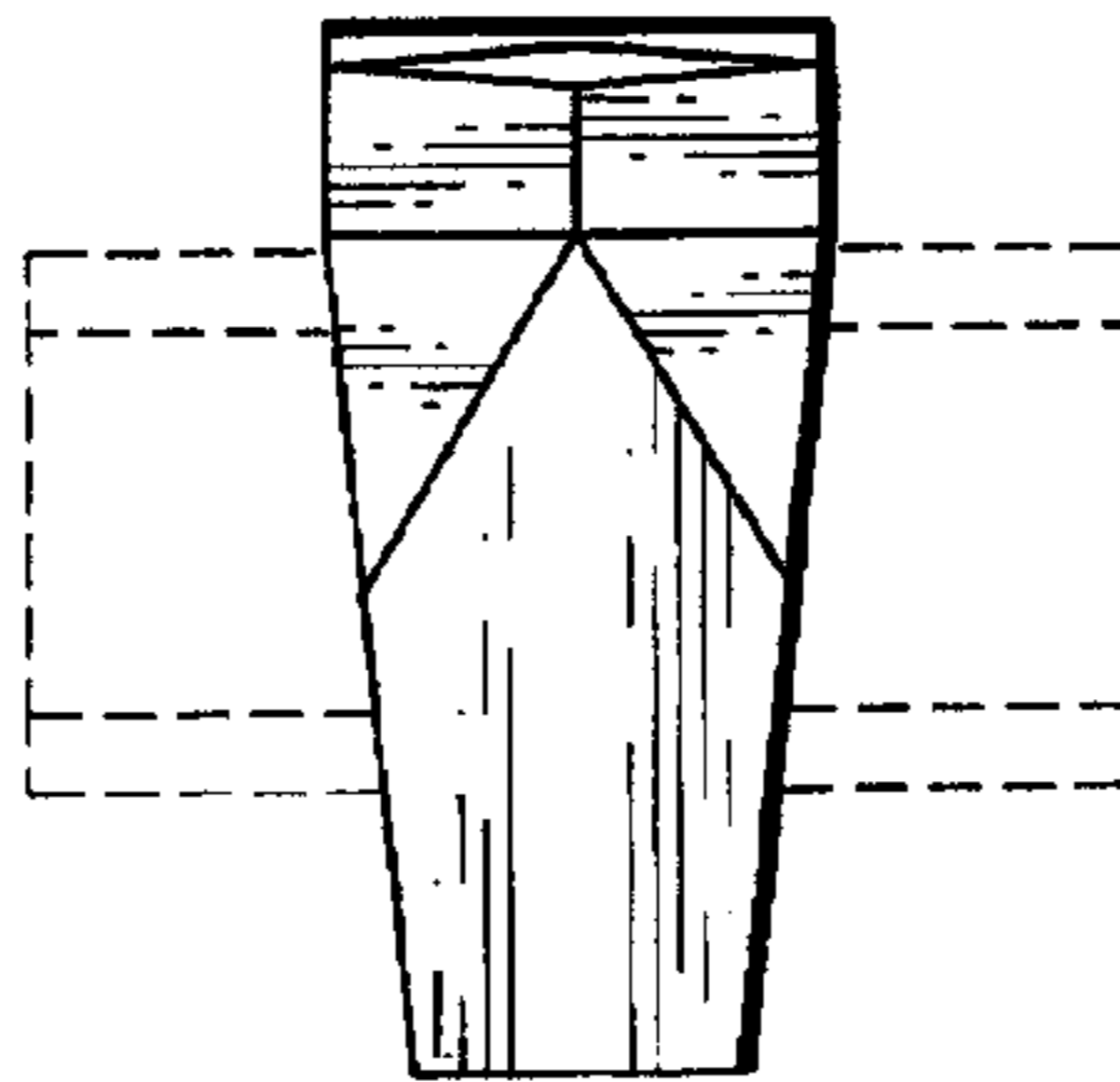


Fig. 13

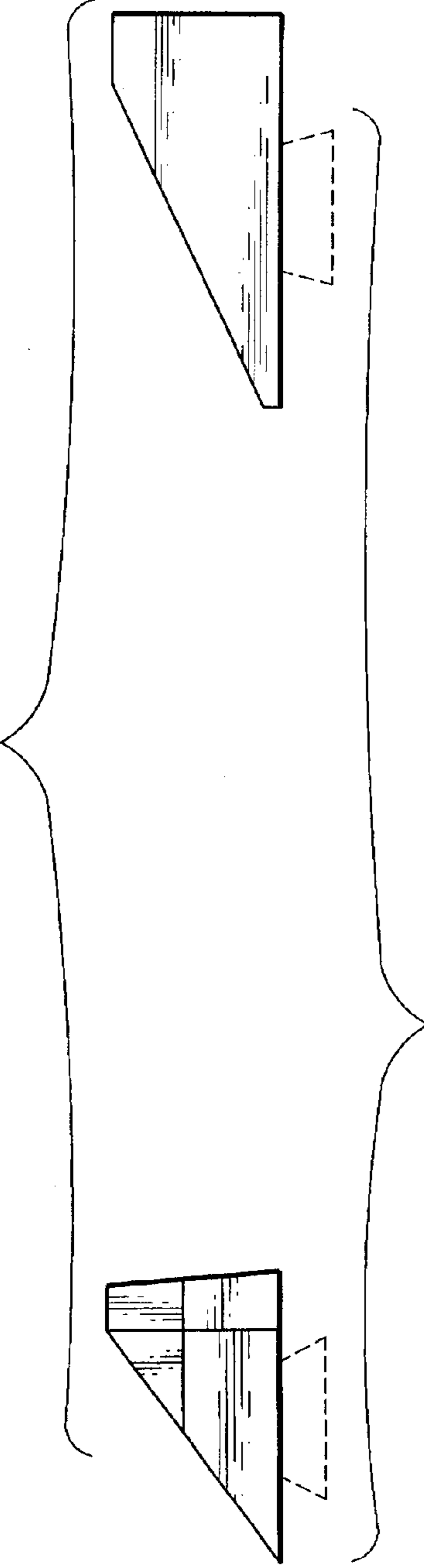


Fig. 14

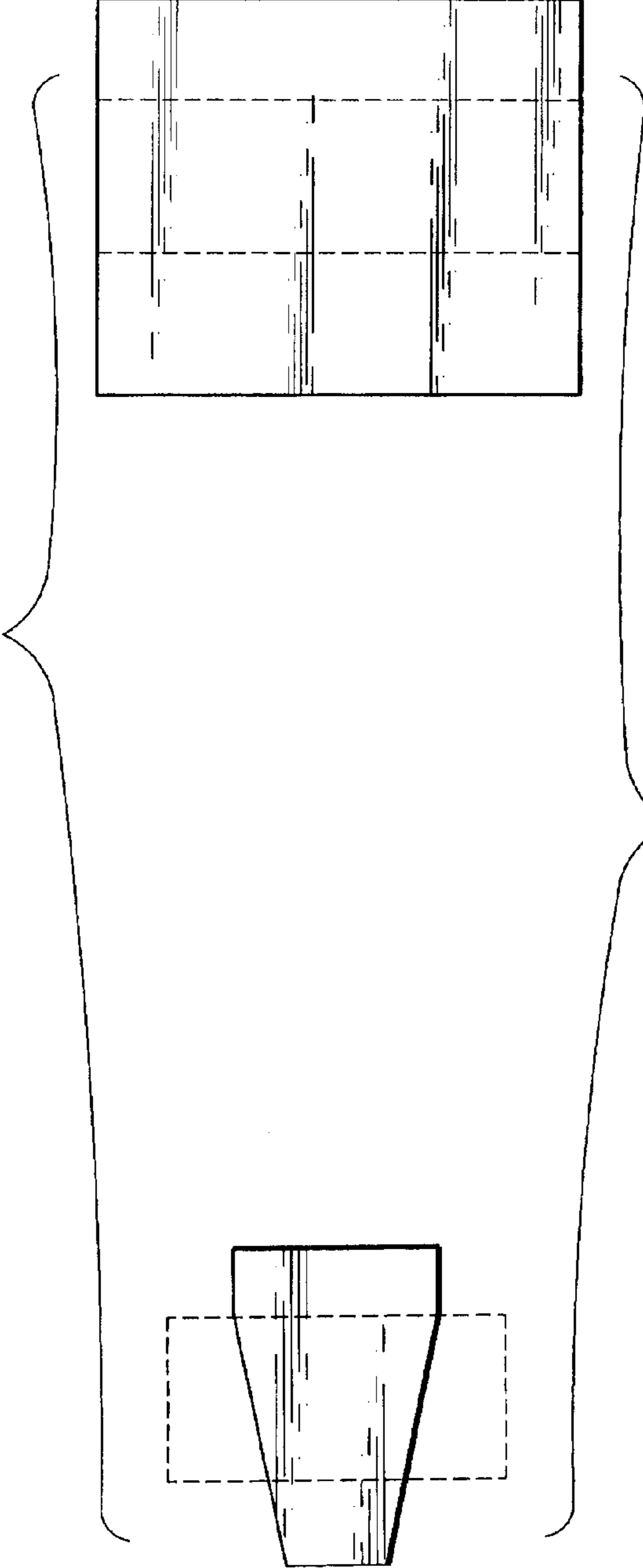


Fig. 15