



US00D515169S

(12) **United States Design Patent**
Bounds

(10) **Patent No.:** **US D515,169 S**

(45) **Date of Patent:** **** Feb. 14, 2006**

(54) **LATERAL PROJECTION MUZZLE BRAKE**

(76) Inventor: **Roger Bounds**, 8581 108th St., Noble,
OK (US) 73068

(**) Term: **14 Years**

(21) Appl. No.: **29/214,018**

(22) Filed: **Sep. 27, 2004**

(51) **LOC (8) Cl.** **22-01**

(52) **U.S. Cl.** **D22/108**

(58) **Field of Classification Search** D22/108;
89/14.05, 14.2, 14.3, 14.4, 27.12; 42/79,
42/97, 51, 66, 67, 70.01; 181/223
See application file for complete search history.

(56) **References Cited**

U.S. PATENT DOCUMENTS

2,101,850	A	*	12/1937	Green	89/14.3
D158,792	S		5/1950	Powell		
3,202,056	A	*	8/1965	Seeberger	89/14.3
3,710,683	A	*	1/1973	Kaltmann	89/14.2
D268,861	S		5/1983	Gwinn, Jr.		
4,436,017	A	*	3/1984	Mohlin	89/14.3
D281,895	S		12/1985	McLain		
4,594,933	A	*	6/1986	Bell	89/14.3
5,333,529	A	*	8/1994	Brockman	89/14.3

D358,861	S		5/1995	Gangl, Jr.		
5,612,504	A	*	3/1997	Stitt et al.	89/14.3
D384,389	S		9/1997	Cyktich		
6,497,170	B1	*	12/2002	Kathe	89/14.3
6,722,254	B1	*	4/2004	Davies	89/14.3
6,752,062	B2	*	6/2004	Vais	89/14.3
6,820,530	B2	*	11/2004	Vais	89/14.3

* cited by examiner

Primary Examiner—Cathy Anne MacCormac

Assistant Examiner—Melanie Levy

(74) *Attorney, Agent, or Firm*—Randal D. Homburg

(57) **CLAIM**

The ornamental design for a lateral projection muzzle brake, as shown and described.

DESCRIPTION

FIG. 1 is a front and perspective view of a lateral projection muzzle brake; the broken lines are for illustrative purposes only and form no part of the claimed design;

FIG. 2 is a top view thereof;

FIG. 3 is a bottom view thereof;

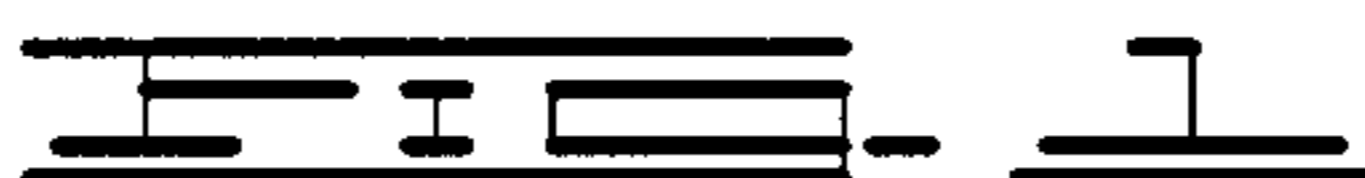
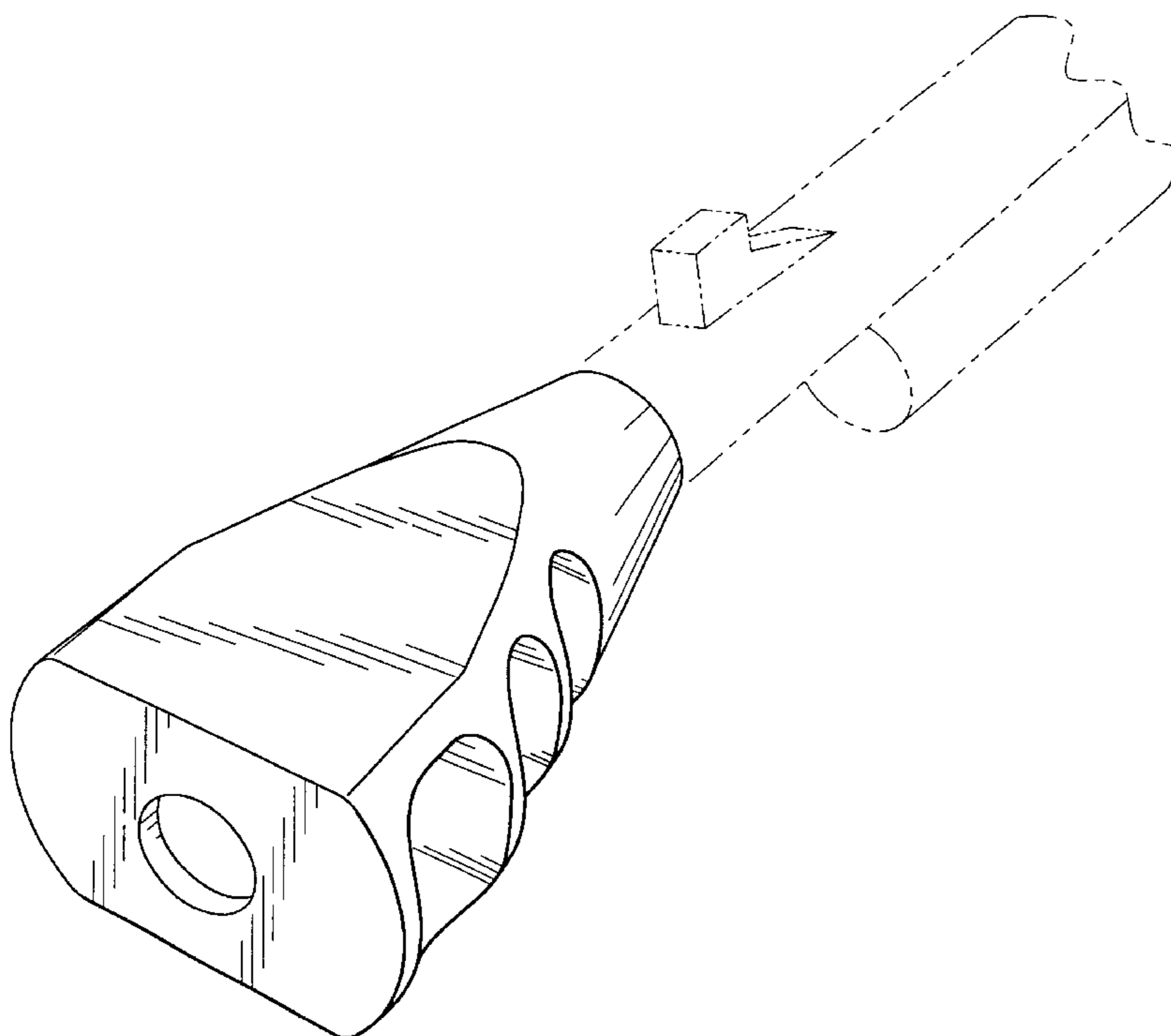
FIG. 4 is a right side view thereof;

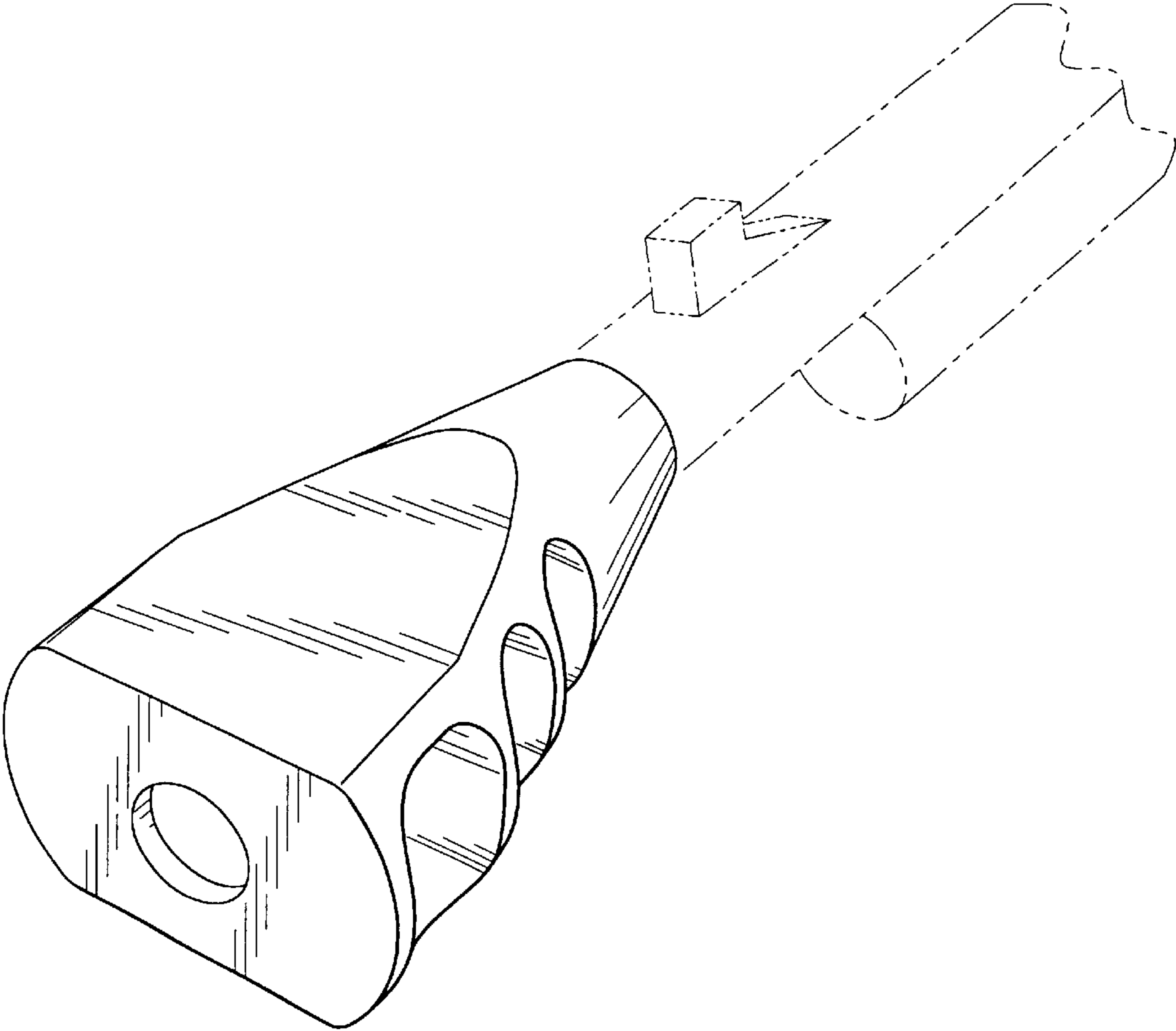
FIG. 5 is a left side view thereof;

FIG. 6 is a front view thereof; and,

FIG. 7 is a rear view thereof.

1 Claim, 3 Drawing Sheets





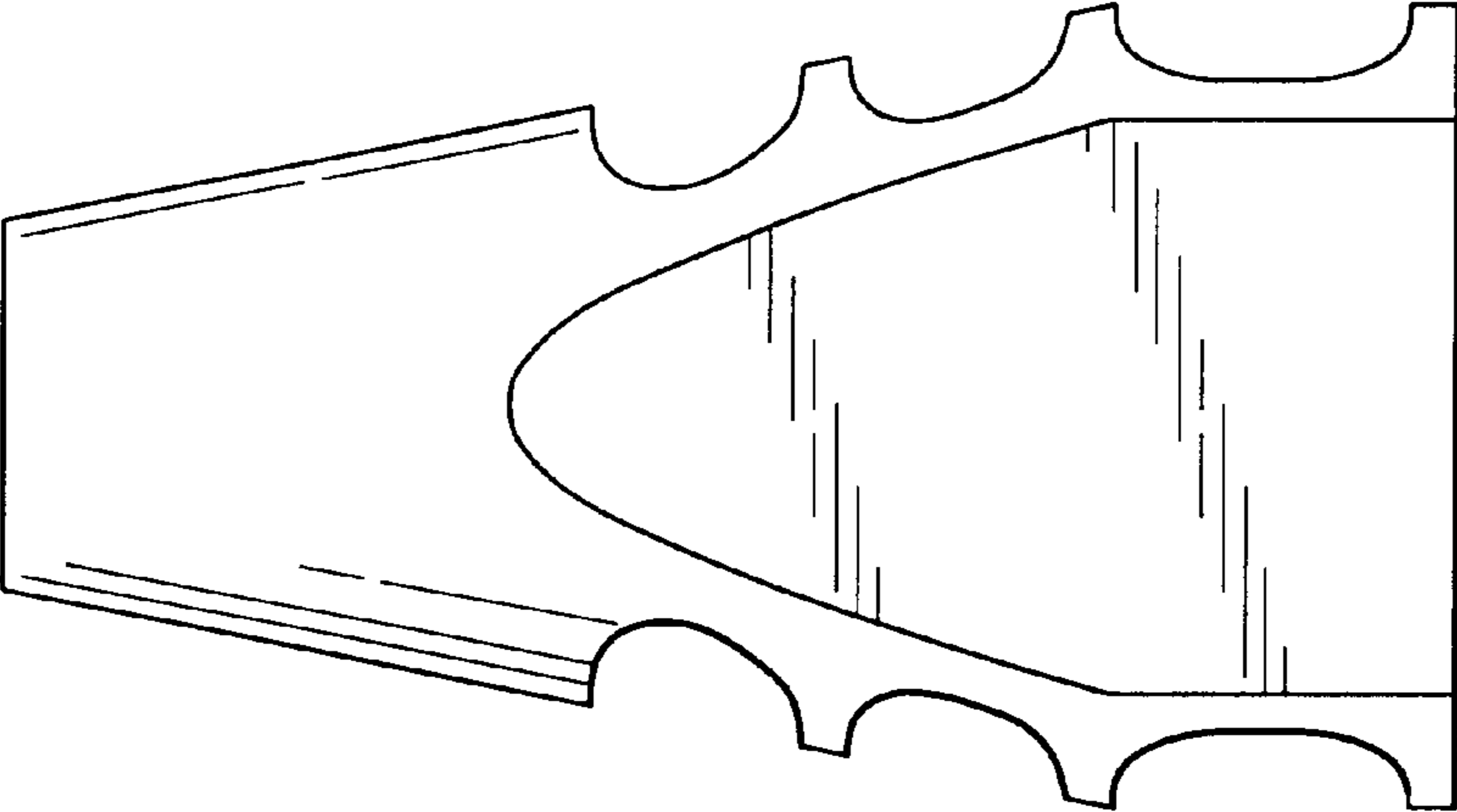


FIG. 1

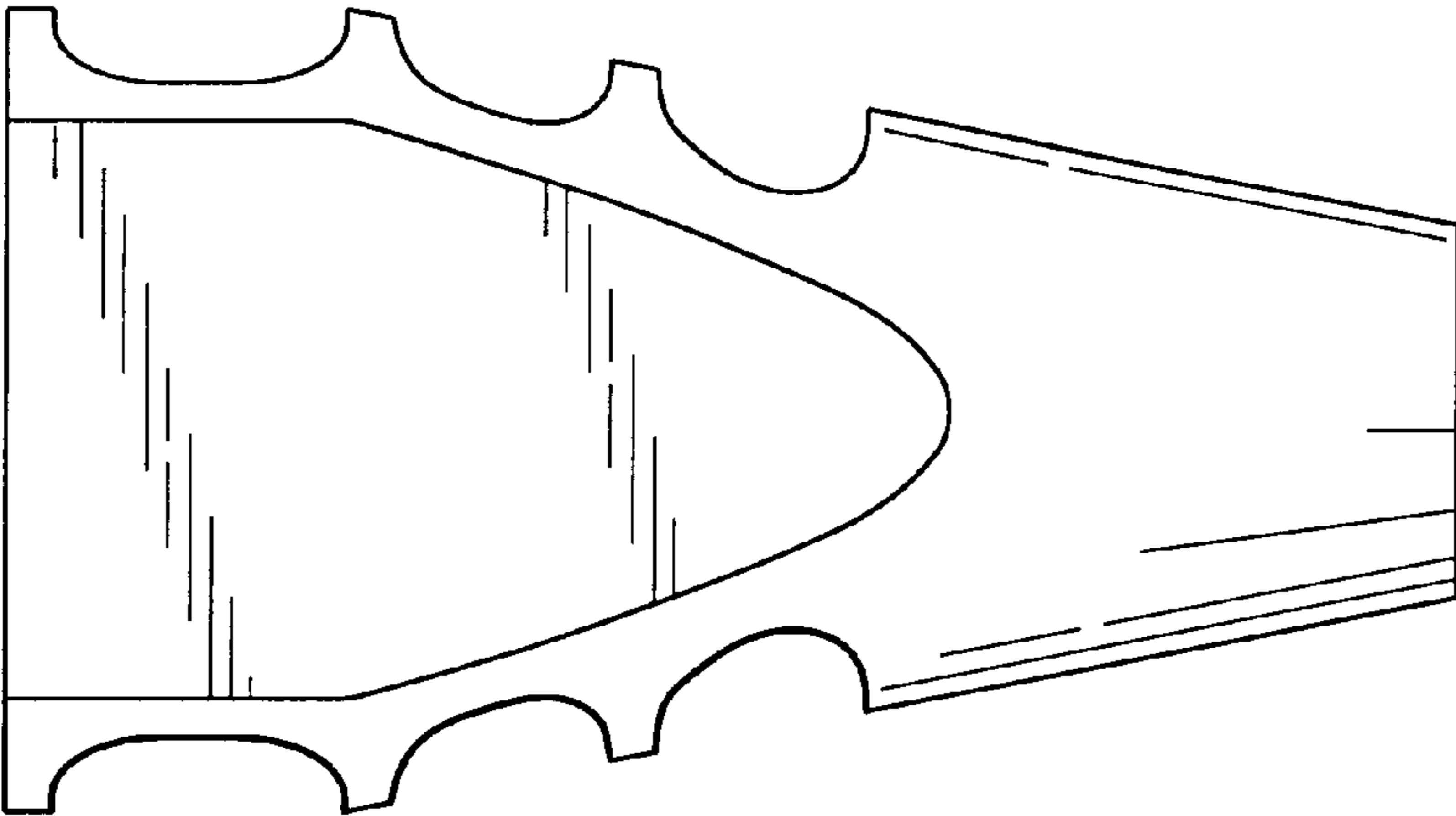


FIG. 2

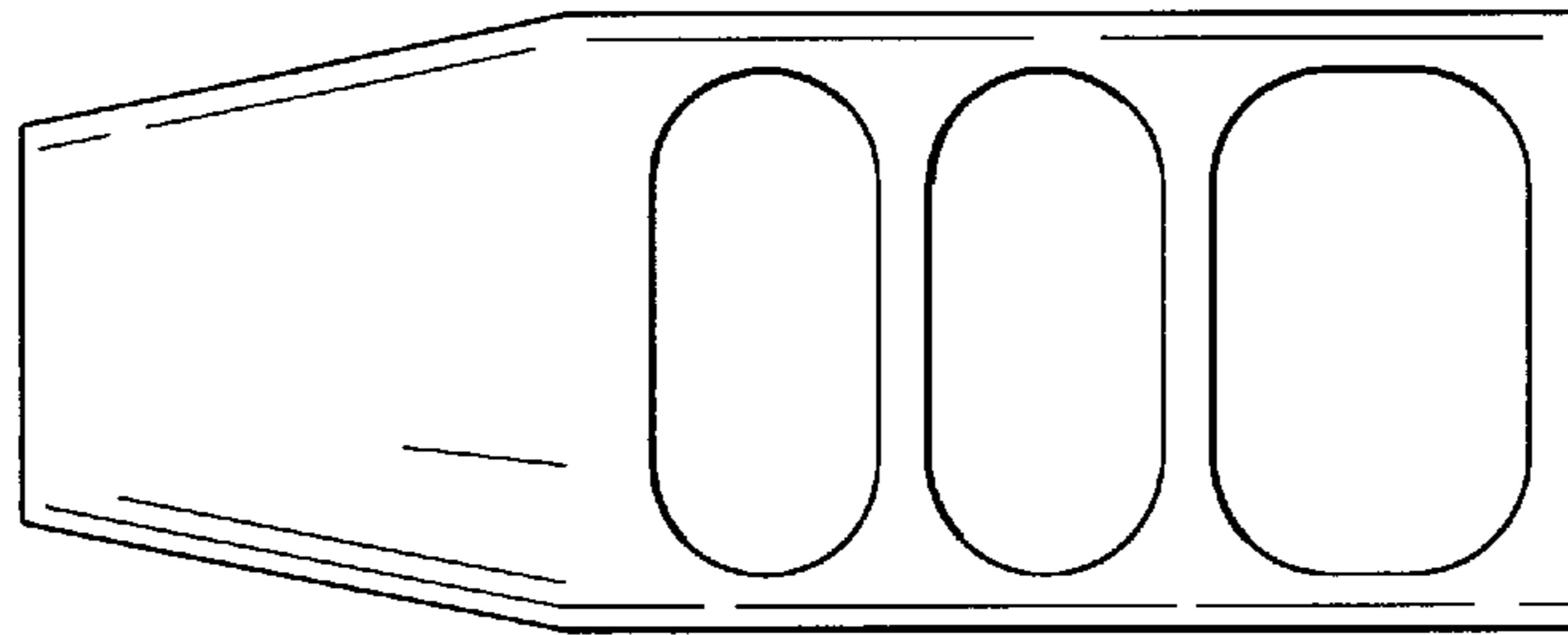


FIG. 4

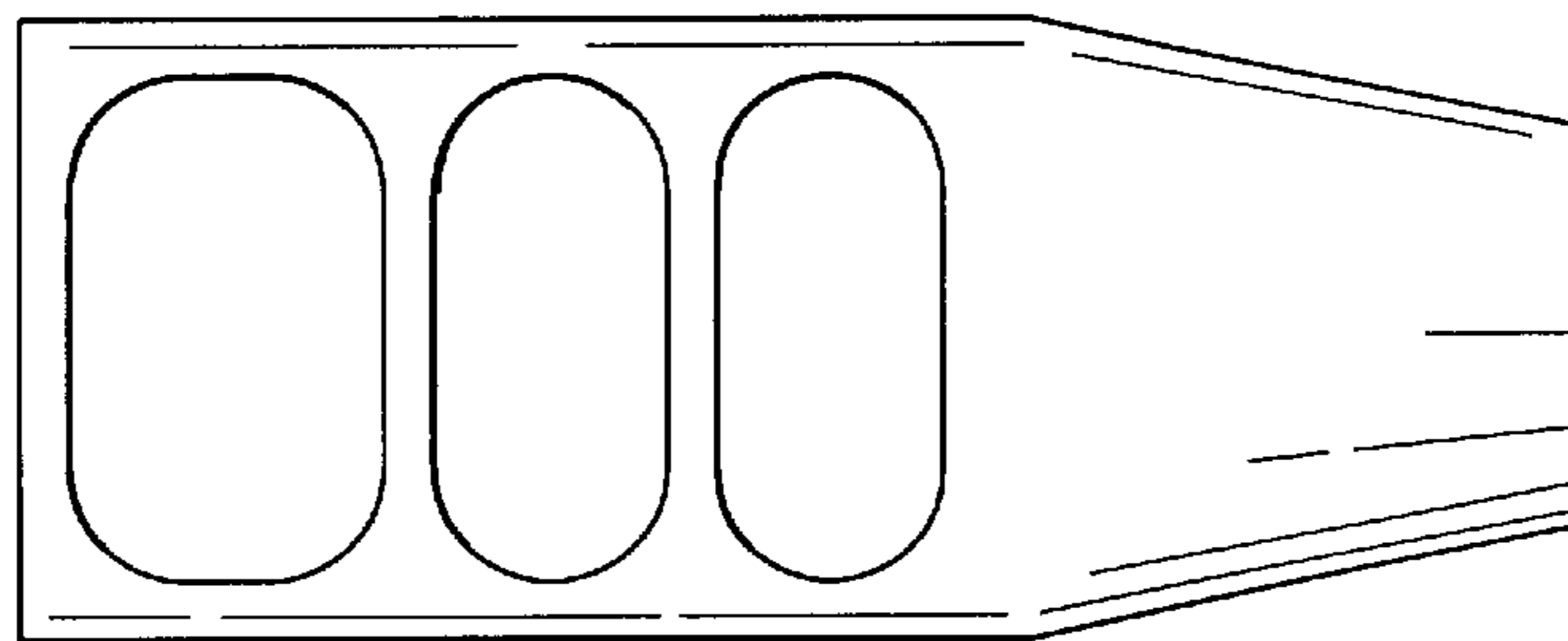


FIG. 5

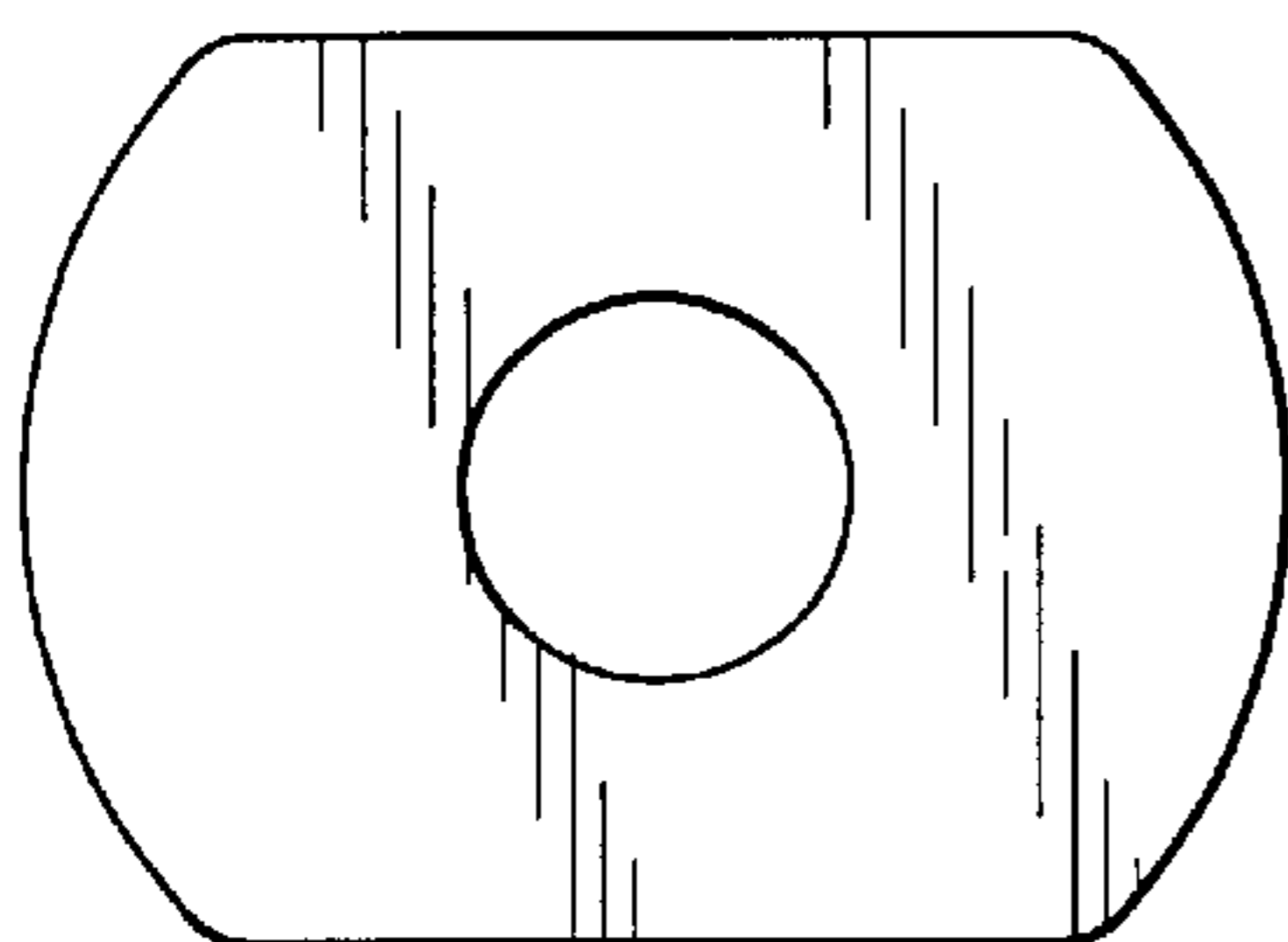


FIG. 6

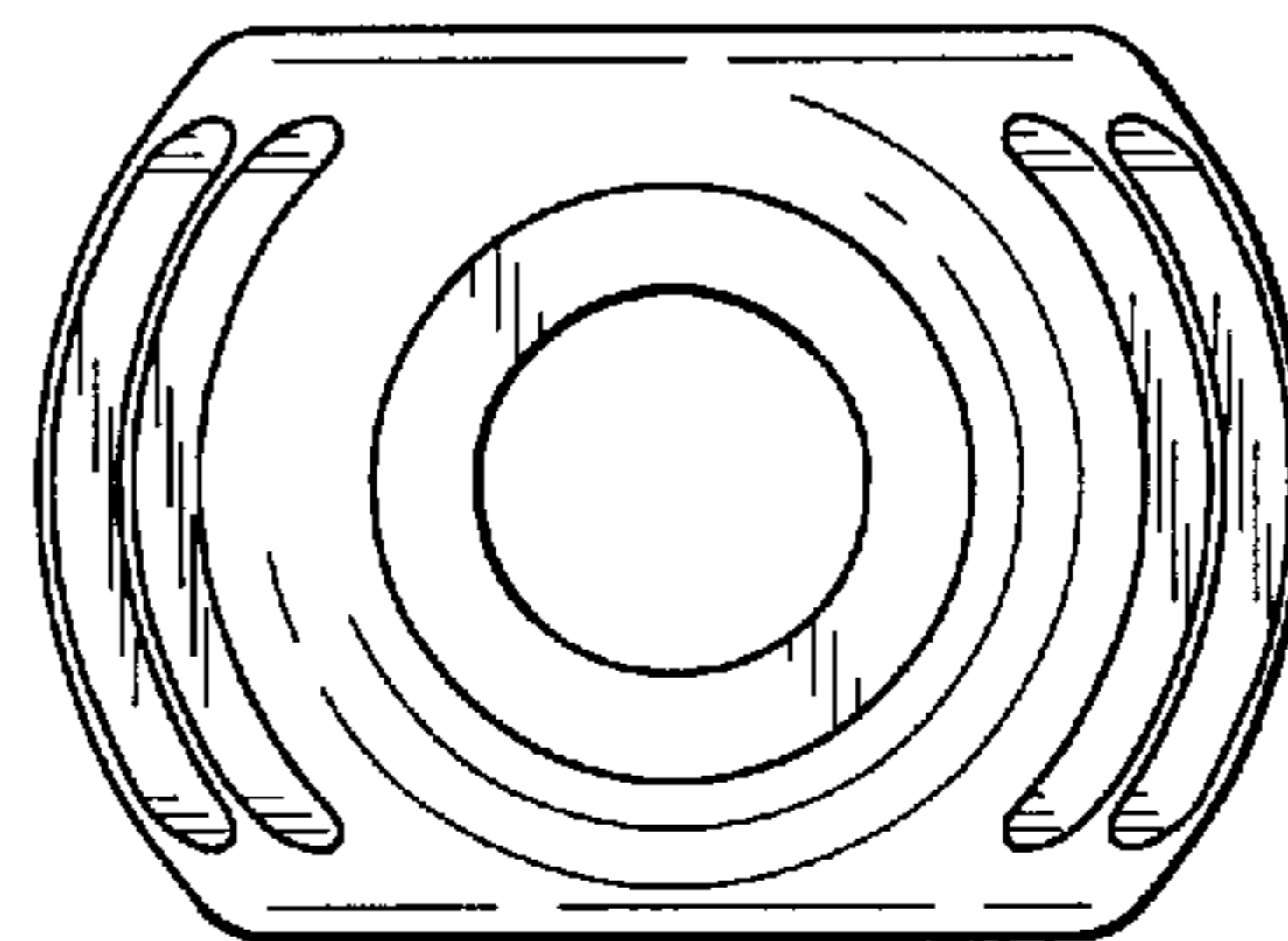


FIG. 7