



US00D515168S

(12) **United States Design Patent**  
**Ruhland et al.**

(10) **Patent No.:** **US D515,168 S**

(45) **Date of Patent:** **\*\* Feb. 14, 2006**

(54) **SWING ARM GUN MOUNT**

(75) Inventors: **Andrew S. Ruhland**, 120 Mockingbird  
La., Spring Lake, NC (US) 28390;  
**Joseph A. Bruce**, Spring Lake, NC  
(US)

(73) Assignee: **Andrew S. Ruhland**, Spring Lake, NC  
(US)

(\*\*) Term: **14 Years**

(21) Appl. No.: **29/212,013**

(22) Filed: **Aug. 25, 2004**

(51) **LOC (8) Cl.** ..... **22-01**

(52) **U.S. Cl.** ..... **D22/108; D22/199**

(58) **Field of Classification Search** ..... D22/108,  
D22/109, 110; 42/94, 124-128; 89/37.11,  
89/37.14, 40.06; D6/324, 552; 124/1, 36;  
211/64; 362/430; 248/144, 145, 354.6, 125.3,  
248/187.1, 282.1

See application file for complete search history.

(56) **References Cited**

**U.S. PATENT DOCUMENTS**

4,430,922 A 2/1984 Fog et al. .... 89/37.11  
5,379,205 A 1/1995 Peng ..... 362/430  
5,778,589 A \* 7/1998 Teague ..... 42/94

5,937,561 A \* 8/1999 Abernethy ..... 42/94  
6,283,428 B1 9/2001 Maples et al. .... 248/282.1  
D471,248 S \* 3/2003 Jacobs ..... D22/108  
6,574,899 B1 \* 6/2003 Mostello ..... 42/94  
6,578,309 B1 6/2003 Frisce ..... 42/94  
6,877,266 B1 \* 4/2005 Brownlee ..... 42/94

\* cited by examiner

*Primary Examiner*—Cathy Anne MacCormac

*Assistant Examiner*—Melanie Levy

(74) *Attorney, Agent, or Firm*—Coats & Bennett, P.L.L.C.

(57) **CLAIM**

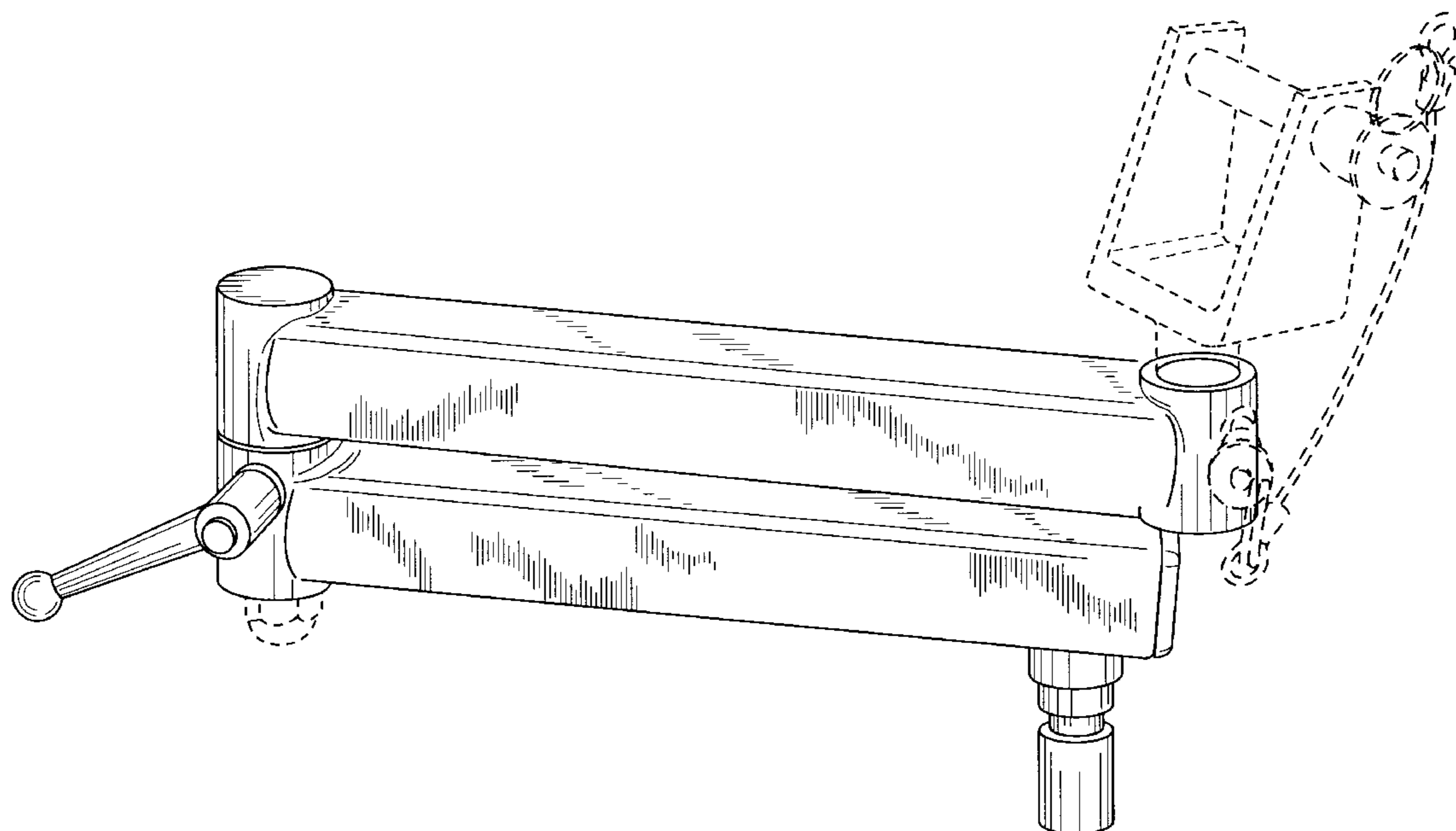
The ornamental design for a swing arm gun mount, as shown and described.

**DESCRIPTION**

FIG. 1 is a perspective view of a swing arm gun mount in accordance with the present invention; FIG. 2 is a right side view of FIG. 1; FIG. 3 is a left side view of FIG. 1; FIG. 4 is a front view of FIG. 1; FIG. 5 is a rear view of FIG. 1; FIG. 6 is a top view of FIG. 1; and, FIG. 7 is a bottom view of FIG. 1.

The broken lines are for illustration only and form no part of the claimed design.

**1 Claim, 5 Drawing Sheets**



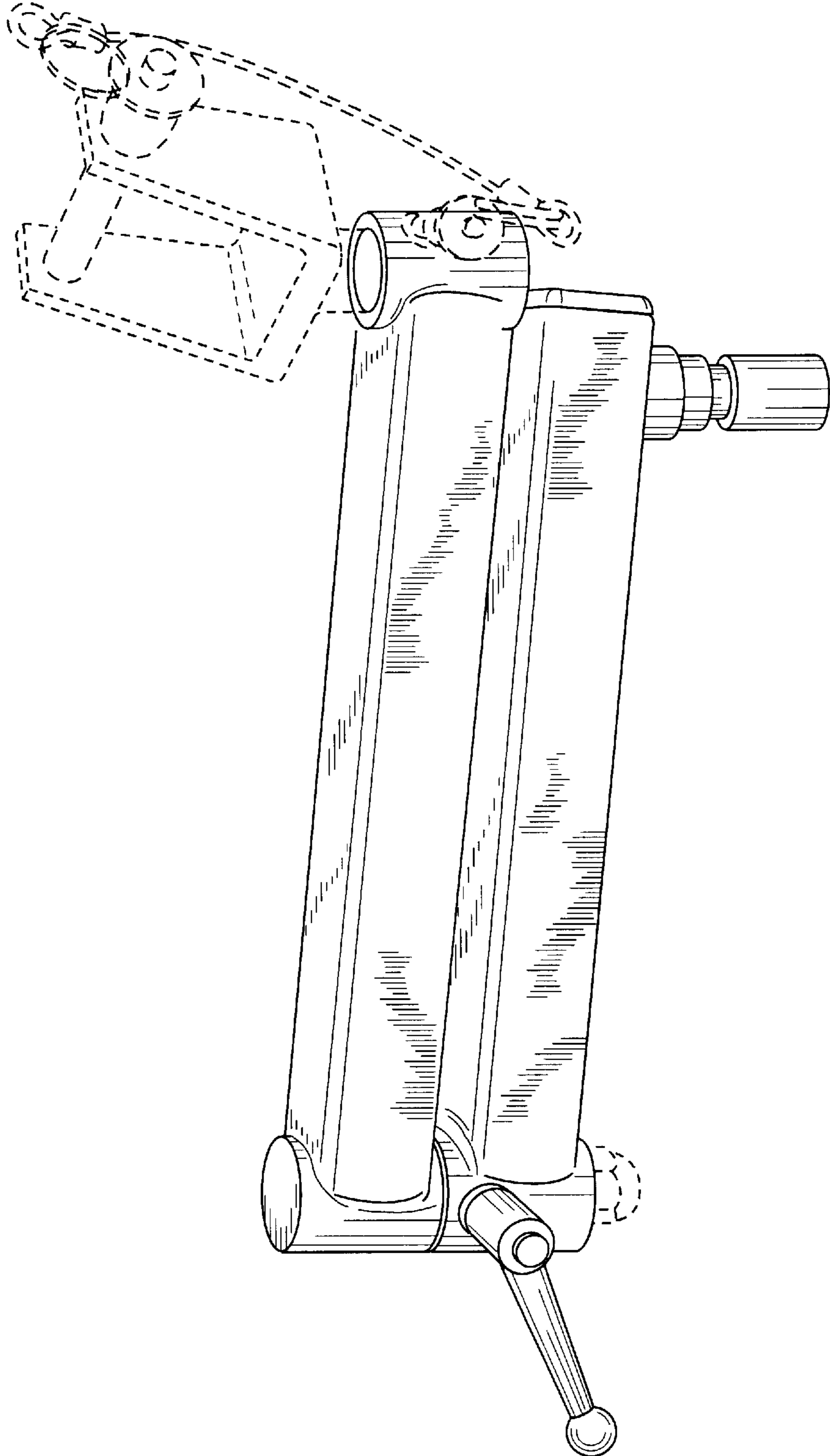


FIG. 1

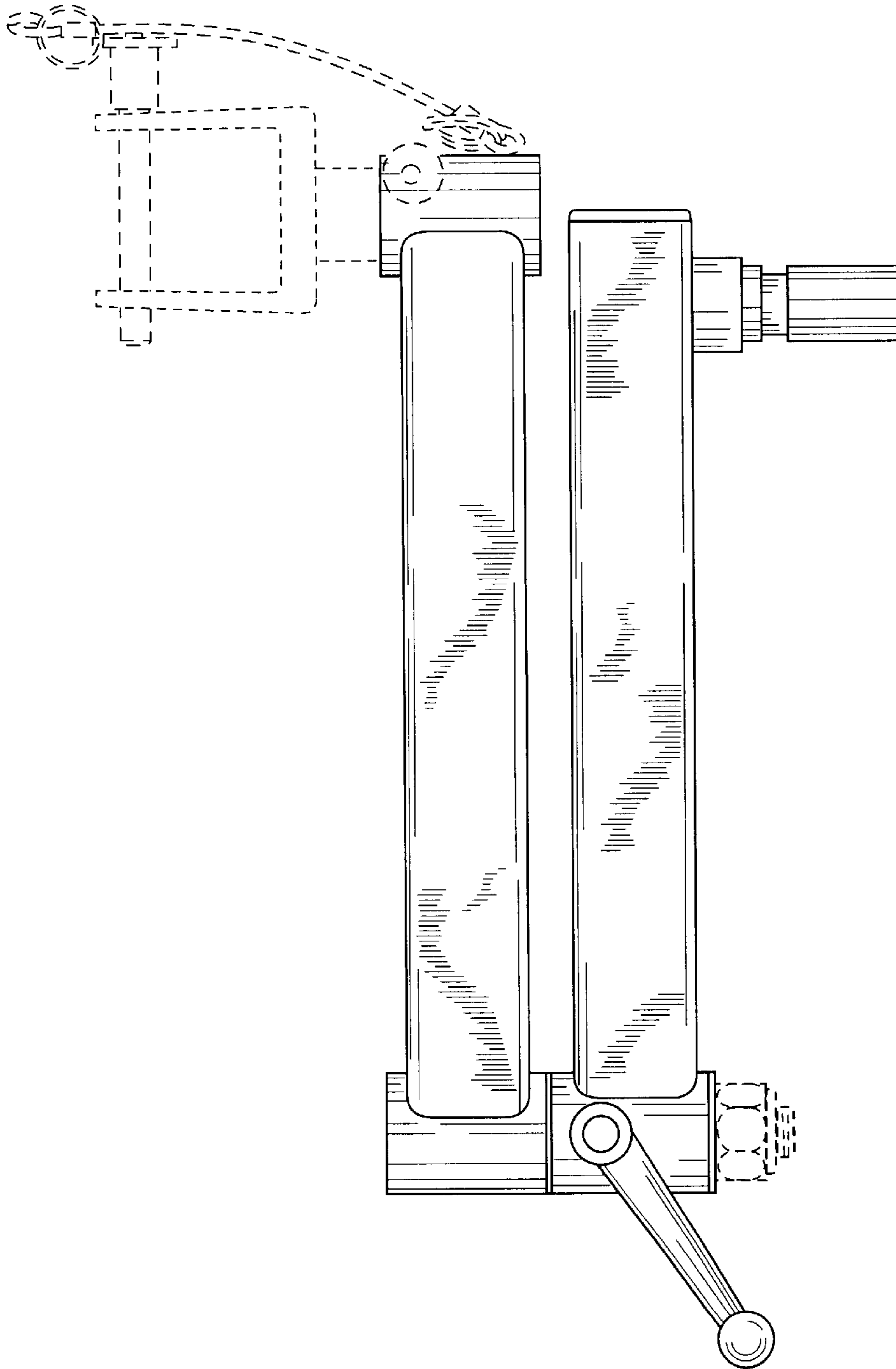


FIG. 2

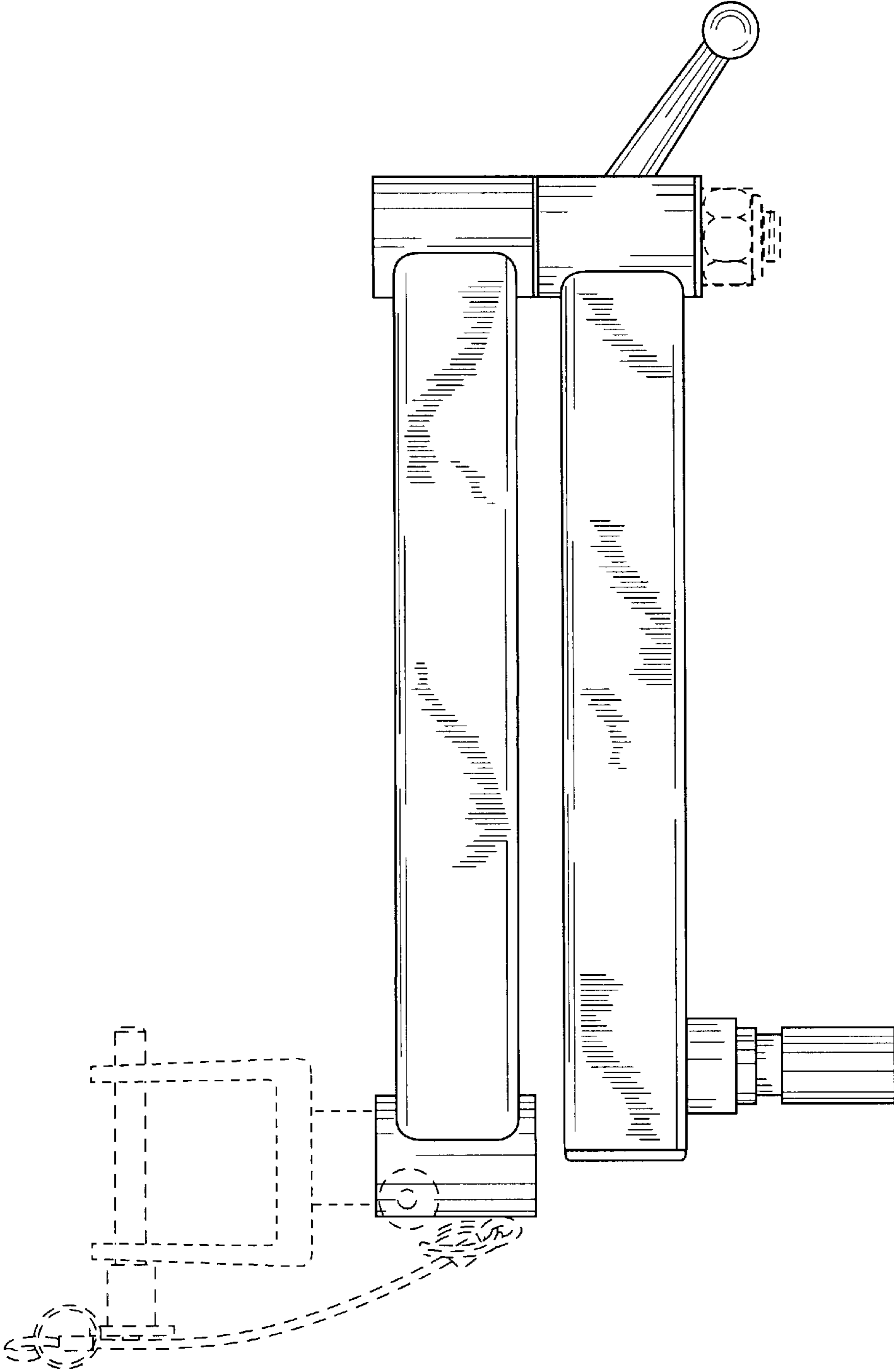


FIG. 3

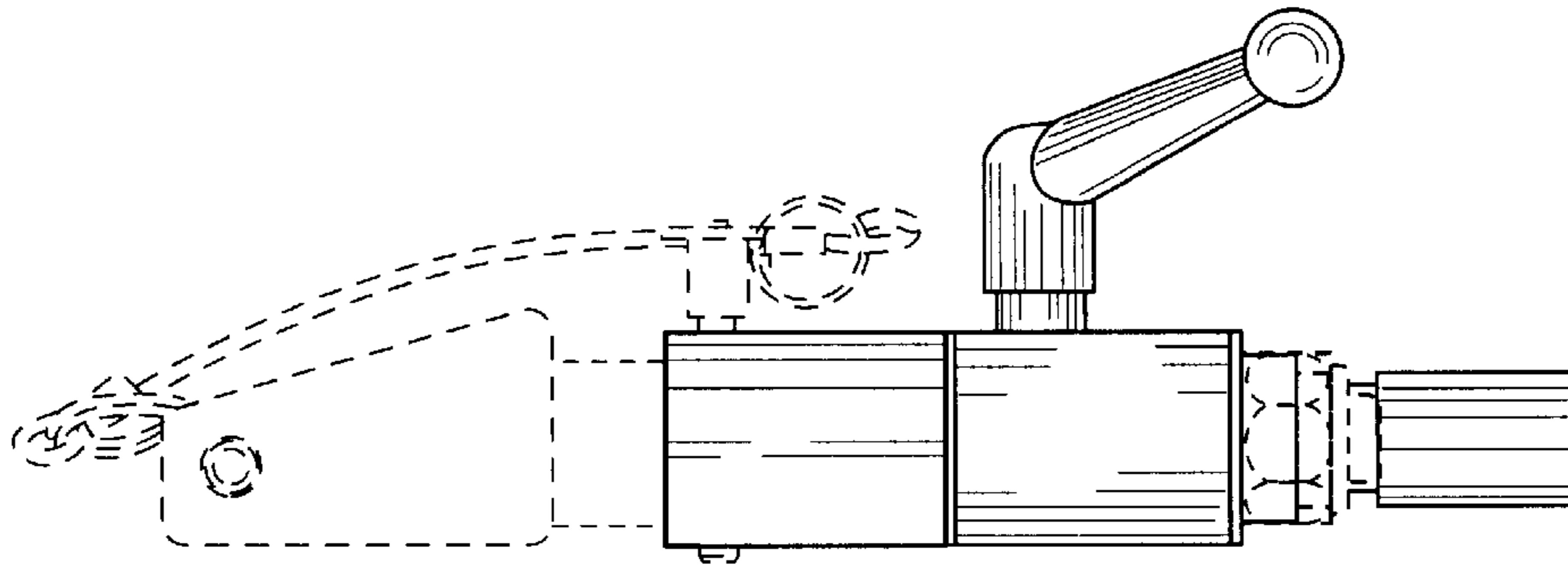


FIG. 5

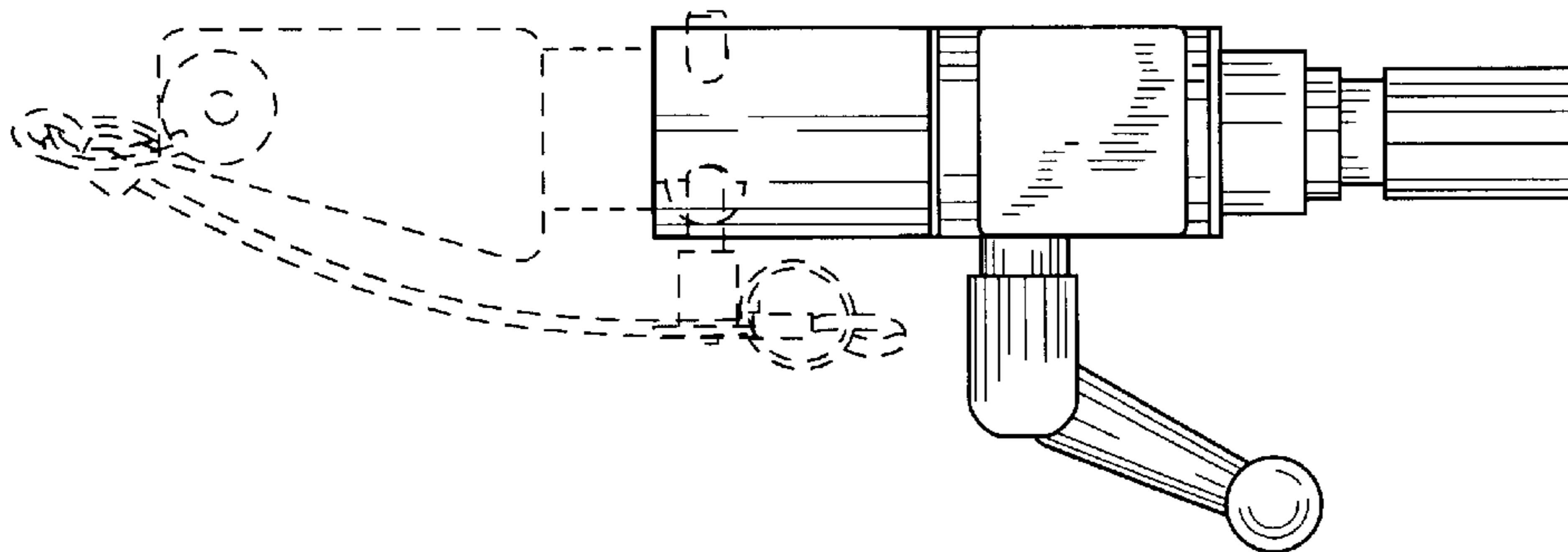


FIG. 4

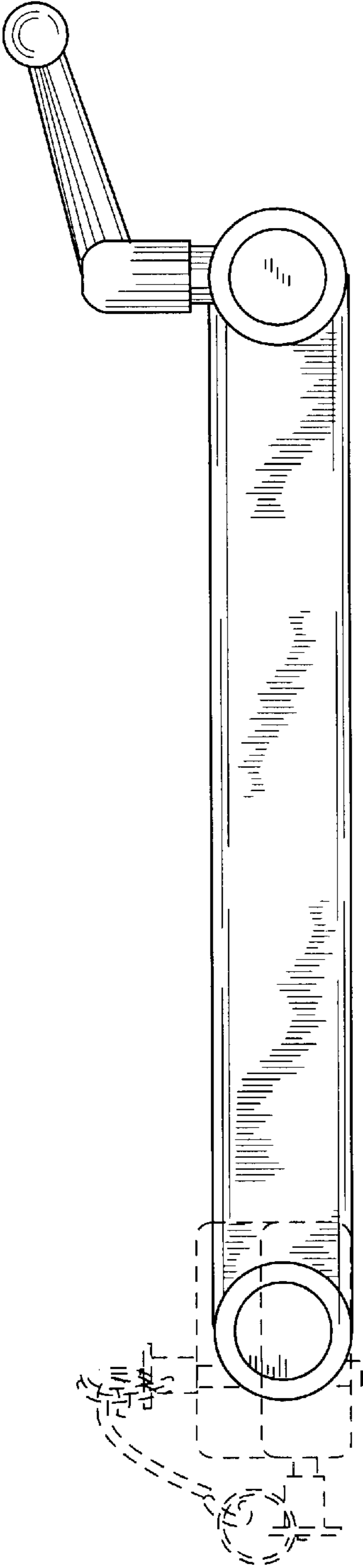


FIG. 6

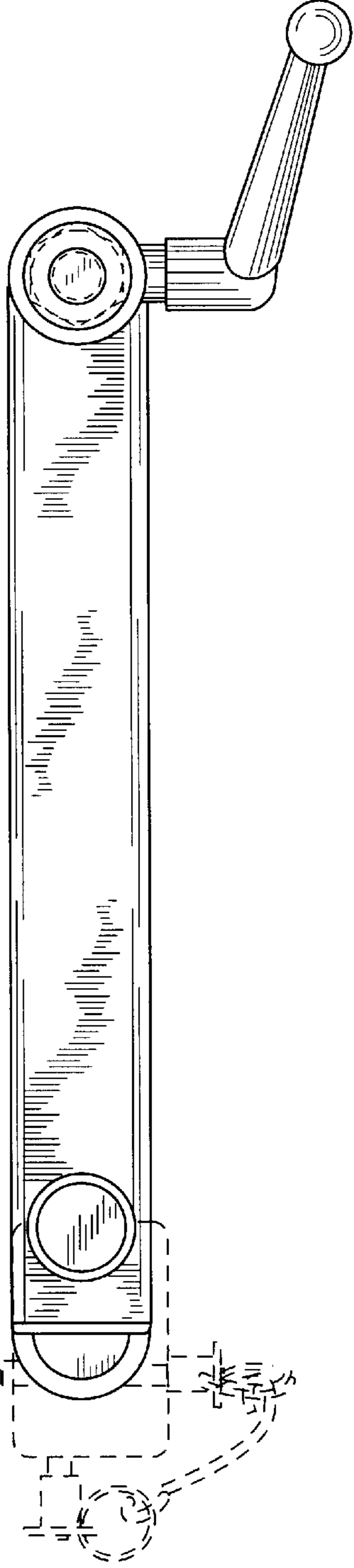


FIG. 7