

US00D515166S

(12) **United States Design Patent**
Montfort

(10) **Patent No.:** **US D515,166 S**

(45) **Date of Patent:** **** Feb. 14, 2006**

(54) **PLAYGROUND STRUCTURE**

D486,200 S * 2/2004 Van Deusen D21/827

(75) Inventor: **Camille Montfort**, Toulouse (FR)

* cited by examiner

(73) Assignee: **Compagnie Plastic Onmium**, Lyons (FR)

Primary Examiner—Mitchell Siegel

(74) *Attorney, Agent, or Firm*—Oliff & Berridge, PLC

(**) Term: **14 Years**

(57) **CLAIM**

The ornamental design for a playground structure, as shown and described.

(21) Appl. No.: **29/209,983**

(22) Filed: **Jul. 26, 2004**

DESCRIPTION

(51) **LOC (8) Cl.** **21-03**

FIG. 1 is a top view of a playground structure;

(52) **U.S. Cl.** **D21/826**

FIG. 2 is a bottom view thereof;

(58) **Field of Classification Search** D21/811,
D21/814, 818–827; 472/128; 482/35, 36

FIG. 3 is a right-side view thereof, showing the structures between the arrows 3—3 and the line Y—Y;

See application file for complete search history.

FIG. 4 is a left-side view thereof, showing the structures between the arrows 4—4 and the line Y—Y;

(56) **References Cited**

FIG. 5 is a front view thereof, showing the structures between the arrows 5—5 and the line X—X;

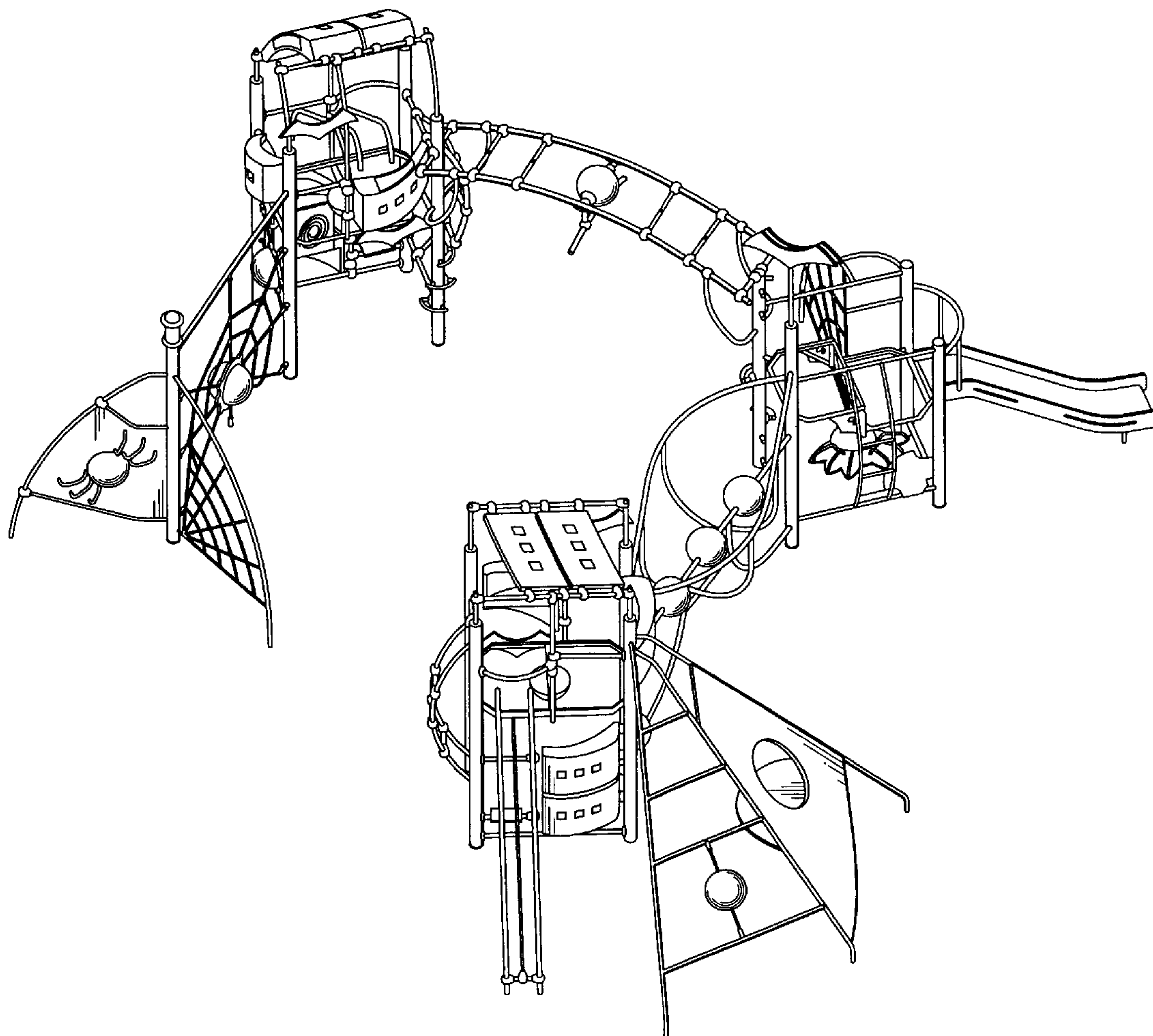
U.S. PATENT DOCUMENTS

FIG. 6 is a rear view thereof, showing the structures between the arrows 6—6 and the line X—X; and,

- D246,477 S * 11/1977 Callecod D21/826
- 5,820,471 A * 10/1998 Briggs 472/128
- 5,853,332 A * 12/1998 Briggs 472/128
- D413,957 S * 9/1999 Briggs D21/826

FIG. 7 is a perspective view thereof.

1 Claim, 7 Drawing Sheets



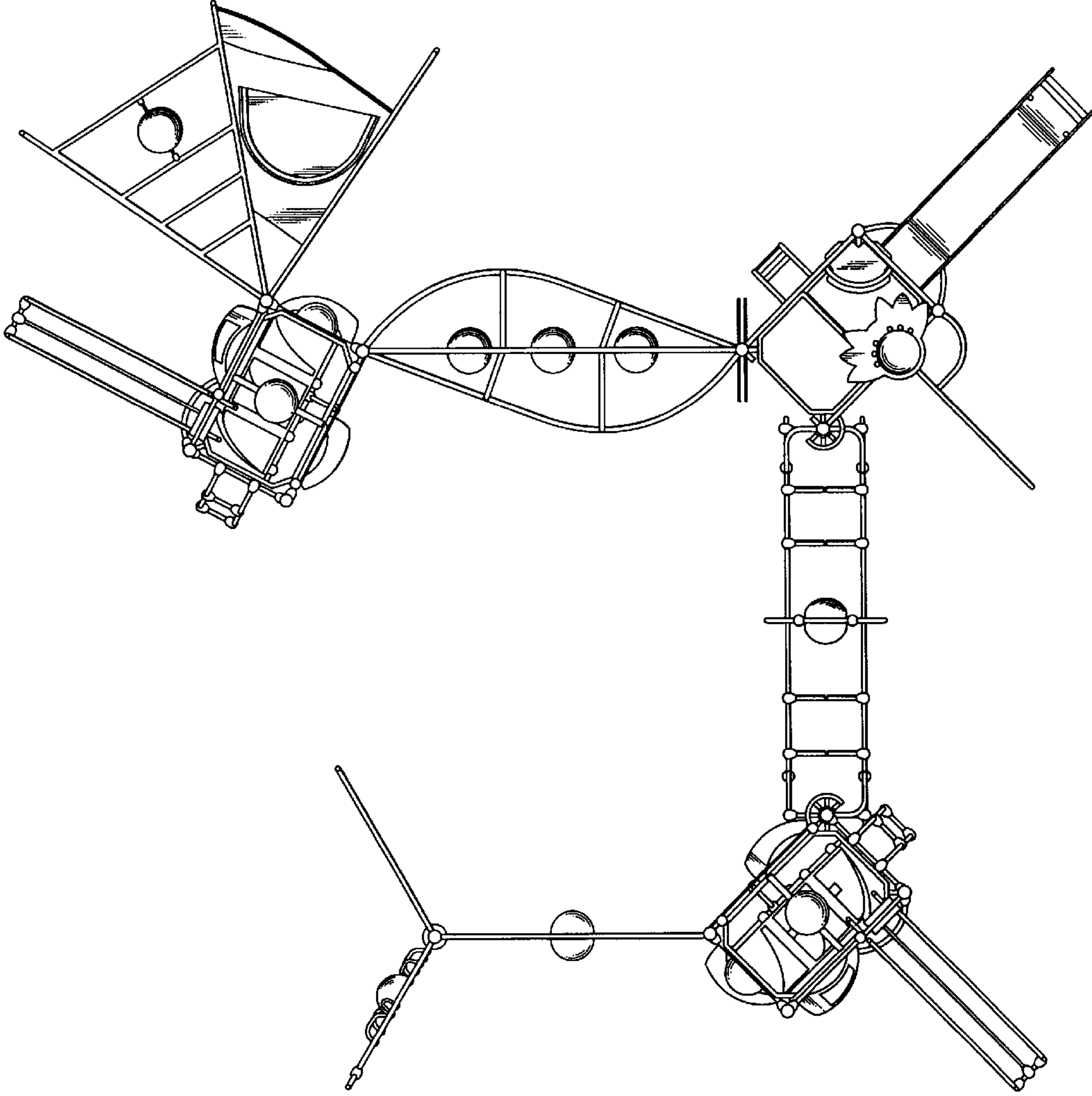


FIG. 2

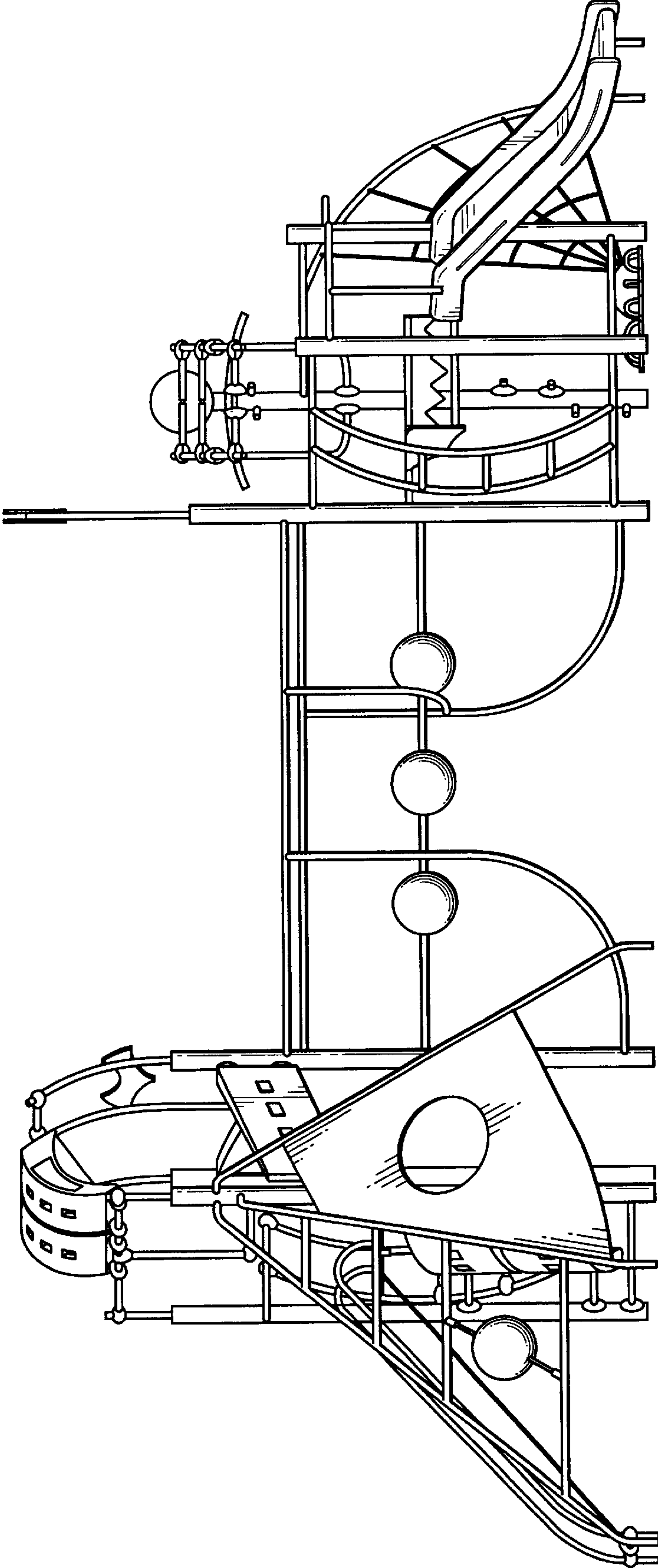


FIG. 3

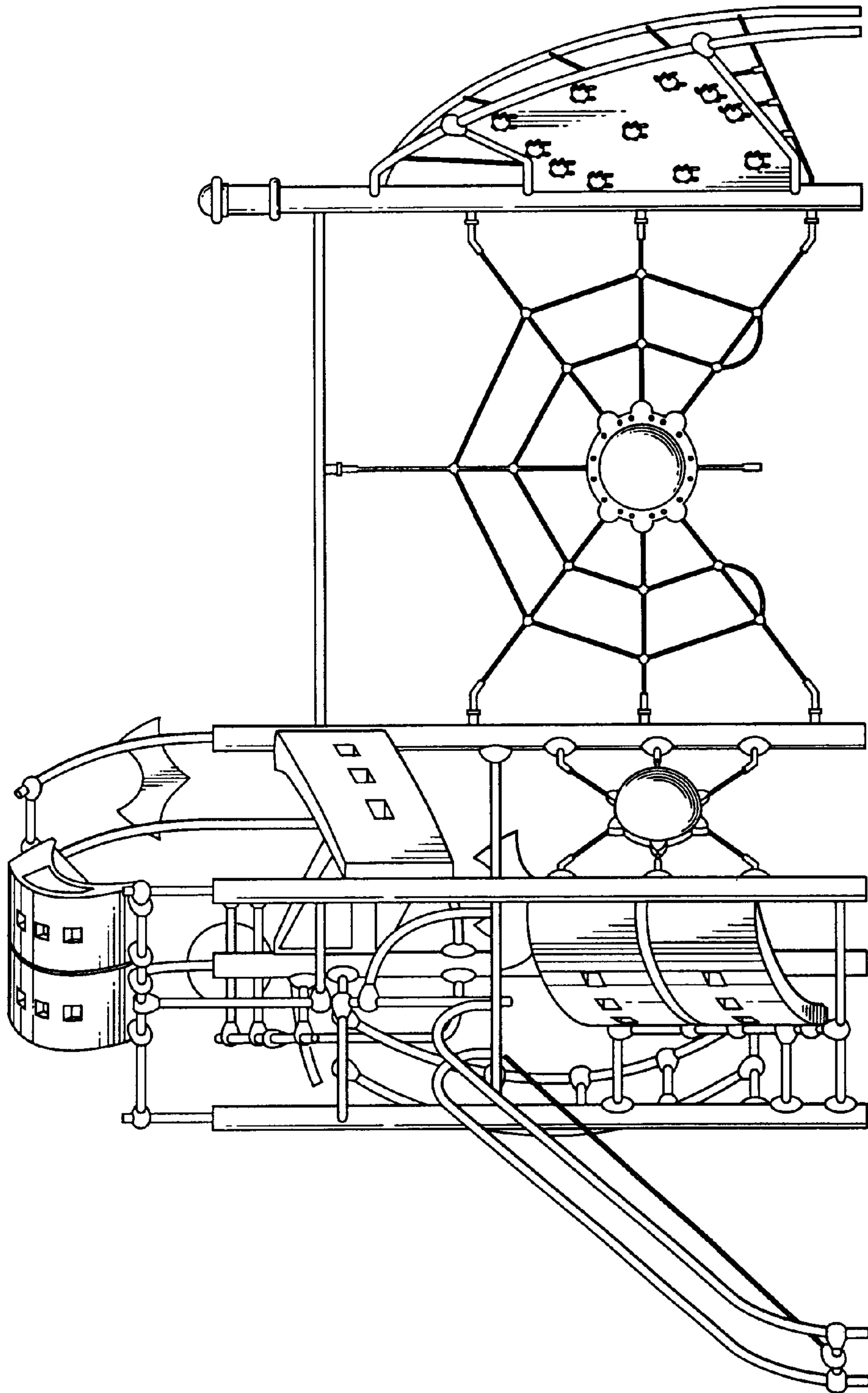


FIG. 4

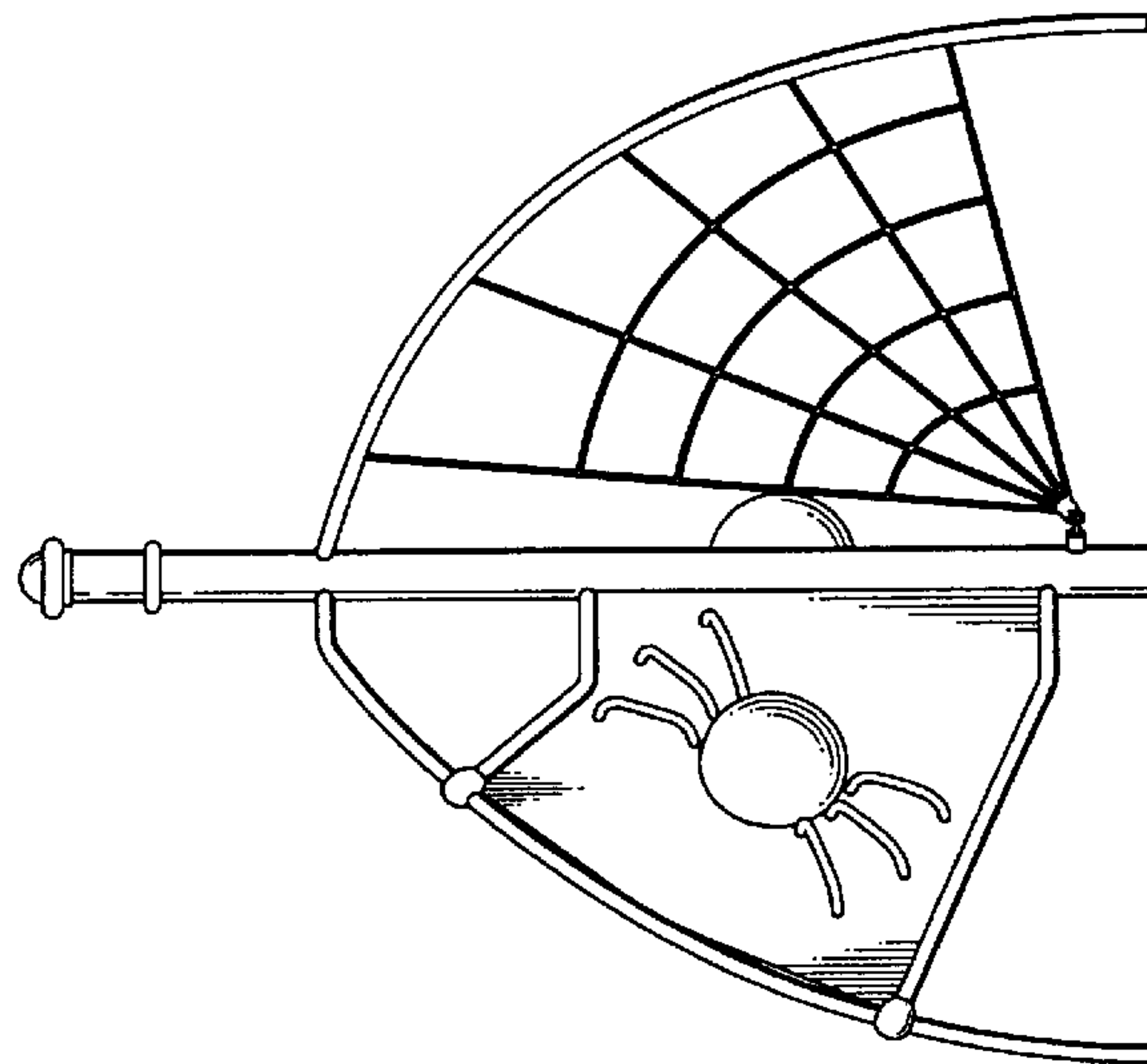
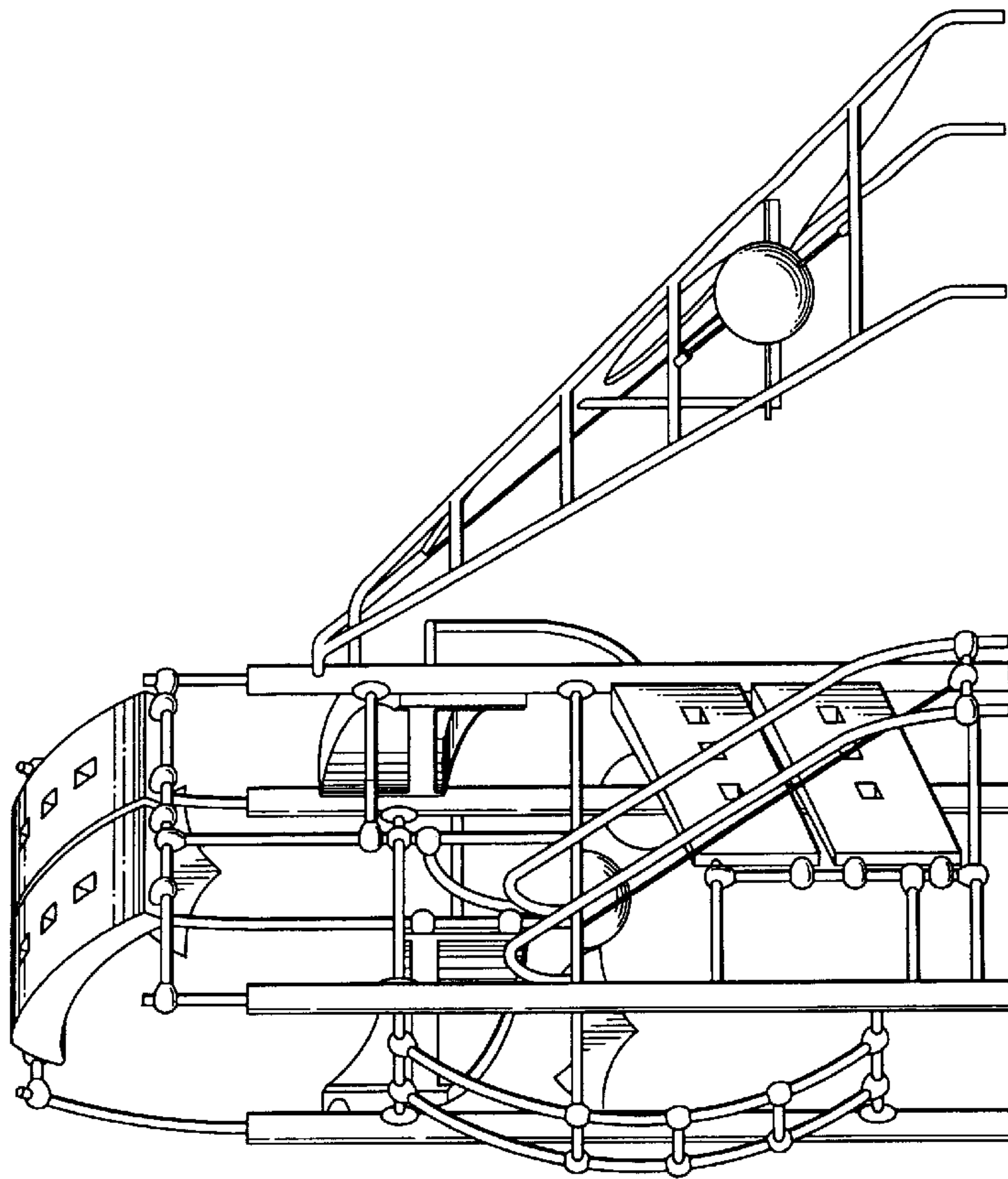


FIG. 5

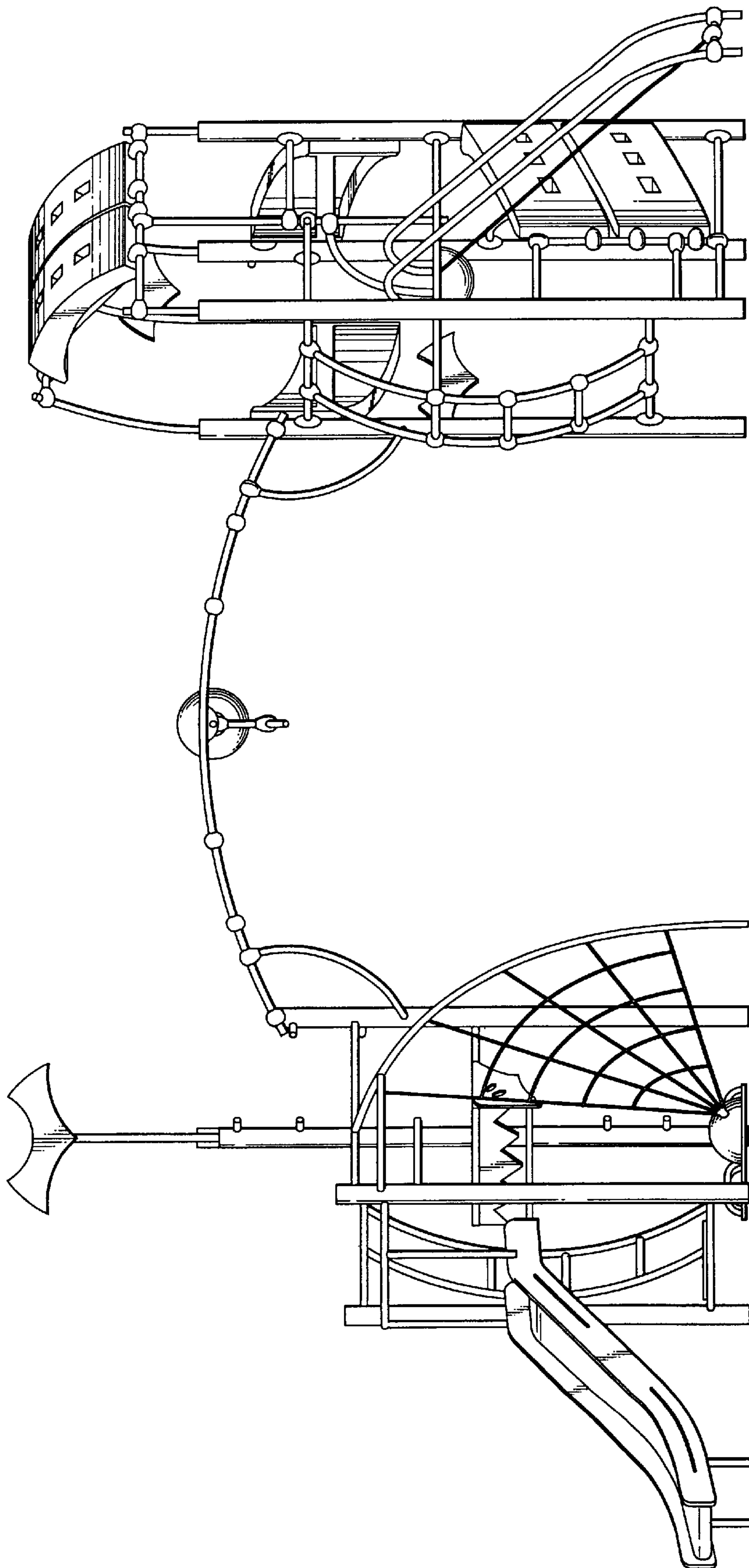


FIG. 6

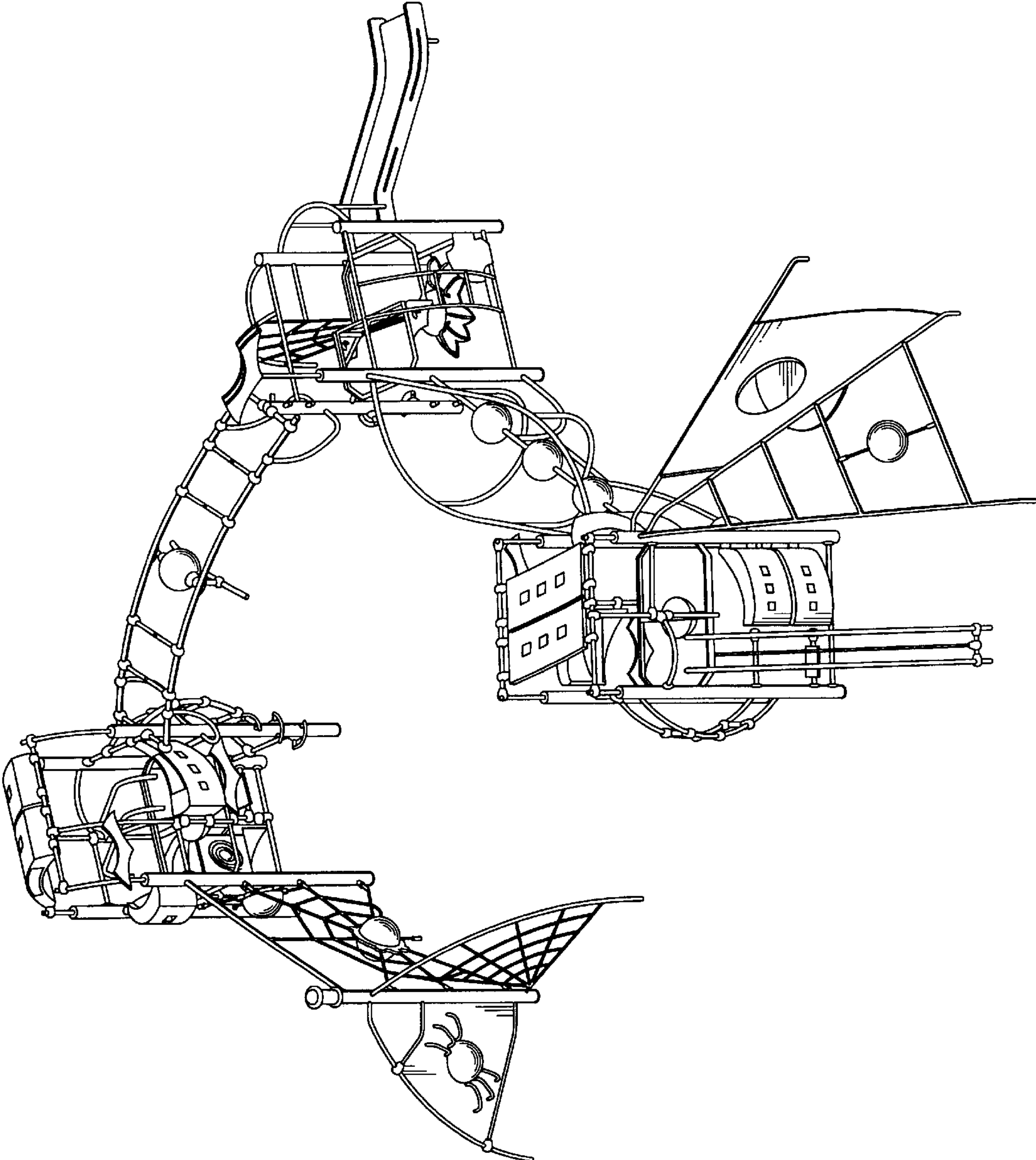


FIG. 7

UNITED STATES PATENT AND TRADEMARK OFFICE
CERTIFICATE OF CORRECTION

PATENT NO. : D515,166 S
APPLICATION NO. : 29/209983
DATED : February 14, 2006
INVENTOR(S) : Camille Montfort

Page 1 of 1

It is certified that error appears in the above-identified patent and that said Letters Patent is hereby corrected as shown below:

On the Title Page, Item (73) Assignee, change "Onmium" to --Omnium-- and change "Lyons" to --Lyon--.

Signed and Sealed this
Twenty-ninth Day of April, 2014



Michelle K. Lee
Deputy Director of the United States Patent and Trademark Office