



US00D515165S

(12) **United States Design Patent** (10) **Patent No.:** **US D515,165 S**
Zimmerman et al. (45) **Date of Patent:** **** Feb. 14, 2006**

(54) **GOLF CLUB WEIGHT**

FOREIGN PATENT DOCUMENTS

(75) Inventors: **Gery Mel Zimmerman**, Fallbrook, CA (US); **Todd P. Beach**, San Diego, CA (US); **Joseph H. Hoffman**, Carlsbad, CA (US); **Robert Michael Nunez**, San Pedro, CA (US); **Craig Kevin Barez**, Temecula, CA (US)

JP 10-234902 9/1998

OTHER PUBLICATIONS

US 3,692,308, 9/1972, Glover (withdrawn)

Primary Examiner—Mitchell Siegel
(74) *Attorney, Agent, or Firm*—Sheppard, Mullin, Richter & Hampton LLP

(73) Assignee: **Taylor Made Golf Company, Inc.**, Carlsbad, CA (US)

(57) **CLAIM**

(**) Term: **14 Years**

The ornamental design for a golf club weight, as shown and described.

(21) Appl. No.: **29/213,992**

DESCRIPTION

(22) Filed: **Sep. 23, 2004**

(51) **LOC (8) Cl.** **21-02**

(52) **U.S. Cl.** **D21/789**

(58) **Field of Classification Search** D21/789, D21/793, 733, 752, 759; 473/343–346, 324–339
See application file for complete search history.

FIG. 1 is a first side perspective view of an embodiment of a golf club weight in accordance with our new design.

FIG. 2 is a first side elevational view of the golf club weight of FIG. 1.

FIG. 3 is a second side elevational view of the golf club weight of FIG. 1.

FIG. 4 is a third side elevational view of the golf club weight of FIG. 1.

FIG. 5 is a fourth side elevational view of the golf club weight of FIG. 1.

FIG. 6 is a top plan view of the golf club weight of FIG. 1; and,

FIG. 7 is a bottom plan view of the golf club weight of FIG. 1.

The broken line showing is for illustrative purposes only and forms no part of the claimed design.

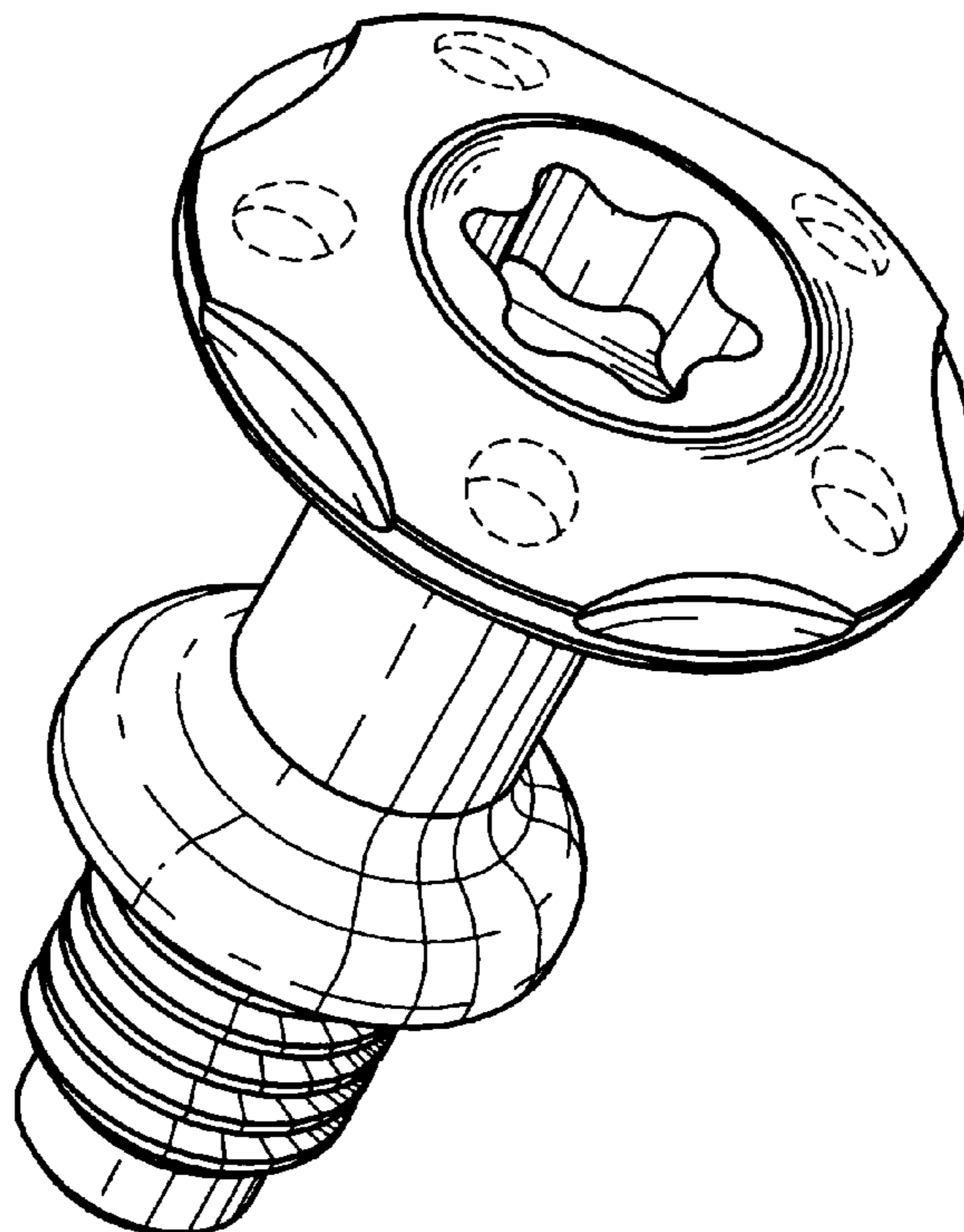
(56) **References Cited**

U.S. PATENT DOCUMENTS

1,518,316 A 12/1924 Ellingham
2,225,930 A 12/1940 Sexton
2,360,364 A 10/1944 Reach
3,064,980 A 11/1962 Steiner
3,466,047 A 9/1969 Rodla
3,606,327 A * 9/1971 Gorman 473/297

(Continued)

1 Claim, 4 Drawing Sheets



US D515,165 S

Page 2

U.S. PATENT DOCUMENTS

4,052,075 A	10/1977	Daly	5,935,019 A	8/1999	Yamamoto
4,269,246 A	5/1981	Larson et al.	5,947,840 A	9/1999	Ryan
4,754,977 A	7/1988	Sahm	5,967,905 A	10/1999	Nakahara et al.
4,795,159 A	1/1989	Nagamoto	6,056,649 A	5/2000	Imai
4,869,507 A	9/1989	Sahm	6,089,994 A	7/2000	Sun
5,050,879 A	9/1991	Sun et al.	6,158,310 A	12/2000	Goss et al.
5,171,117 A	12/1992	Seidl	6,379,265 B1	4/2002	Hirakawa et al.
5,253,869 A	10/1993	Dingle et al.	6,524,198 B2	2/2003	Takeda
5,316,305 A	5/1994	McCabe	6,527,649 B1	3/2003	Neher et al.
5,320,005 A	6/1994	Hsiao	6,612,936 B1 *	9/2003	Matias 473/256
5,385,348 A	1/1995	Wargo	D482,092 S *	11/2003	Imamoto D21/759
5,421,577 A	6/1995	Kobayashi	D482,093 S *	11/2003	Imamoto D21/759
5,431,401 A	7/1995	Smith	6,641,487 B1	11/2003	Hamburger
5,571,053 A	11/1996	Lane	2002/0137576 A1	9/2002	Dammen
5,746,664 A	5/1998	Reynolds, Jr.	2002/0160854 A1	10/2002	Beach et al.
5,911,638 A	6/1999	Parente et al.	2005/0143192 A1 *	6/2005	Otoguro 473/345

* cited by examiner

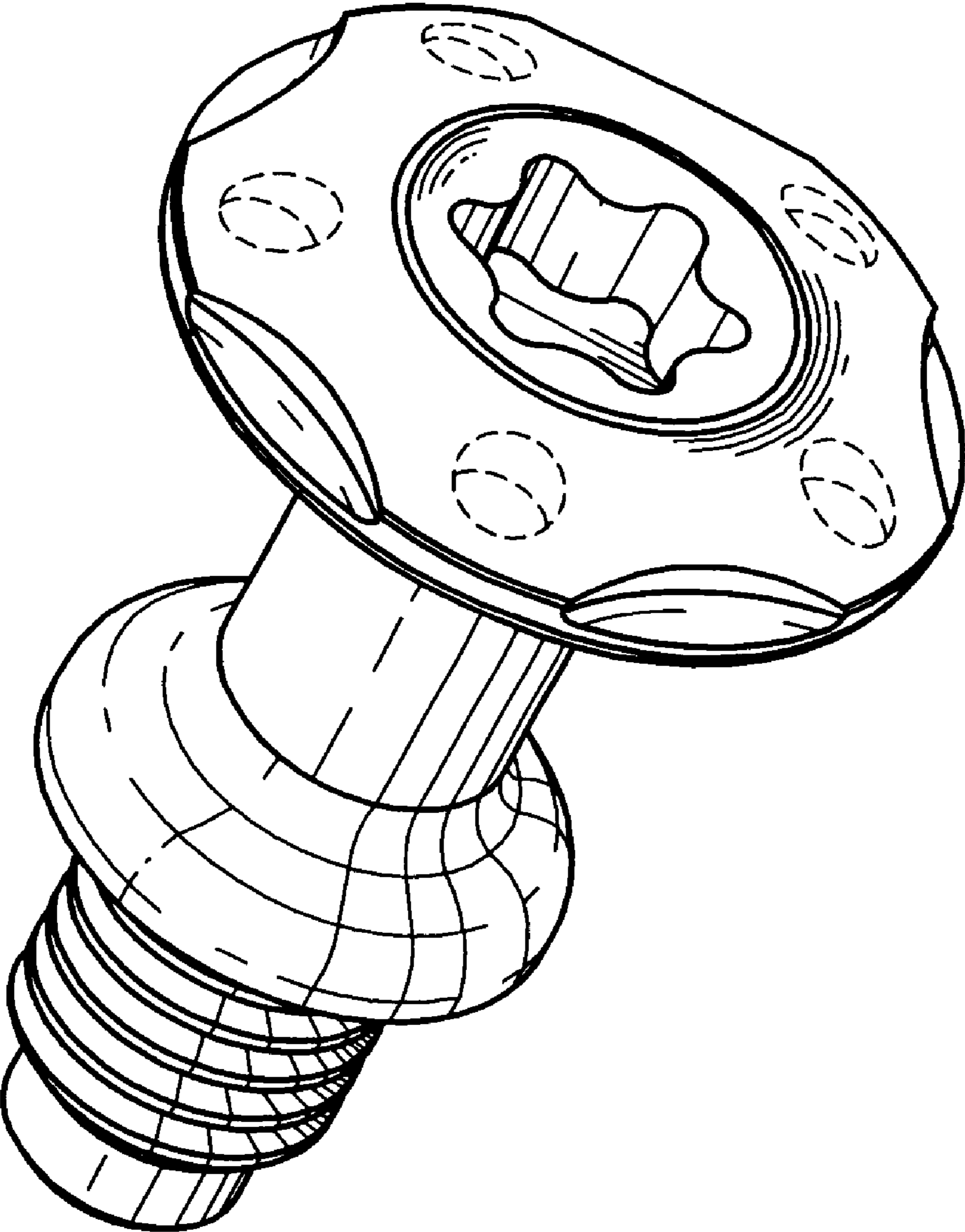


FIG. 1

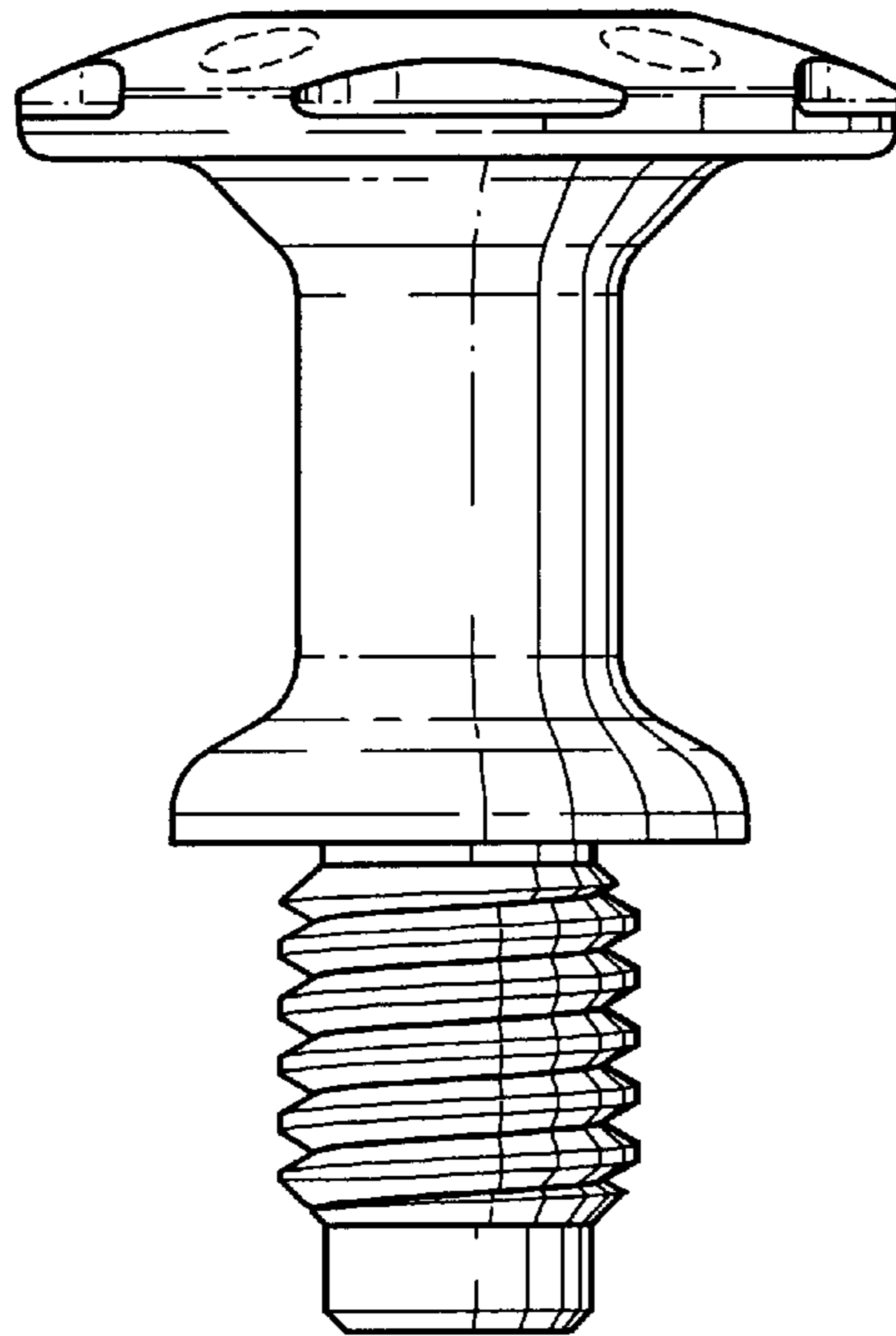


FIG. 2

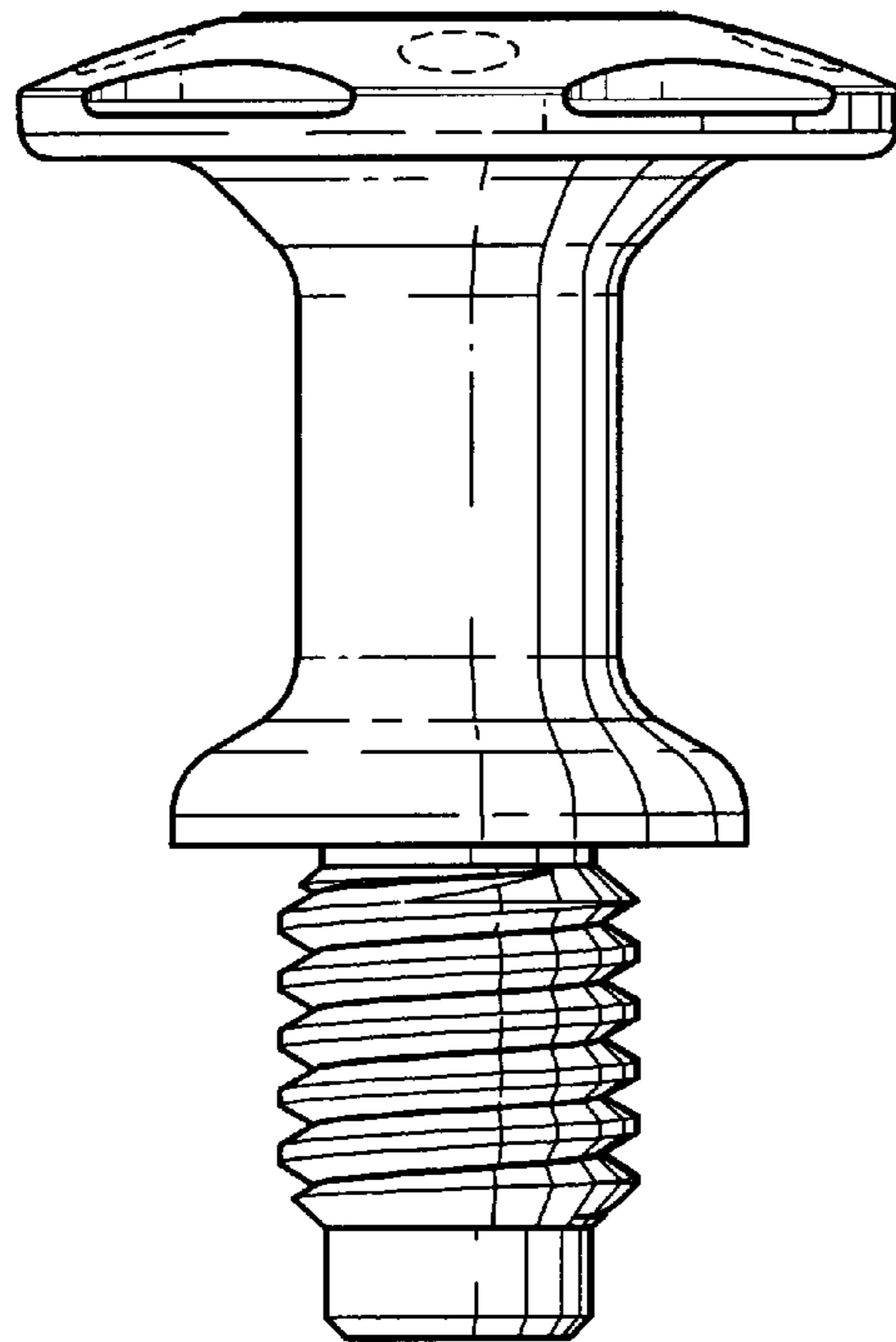


FIG. 3

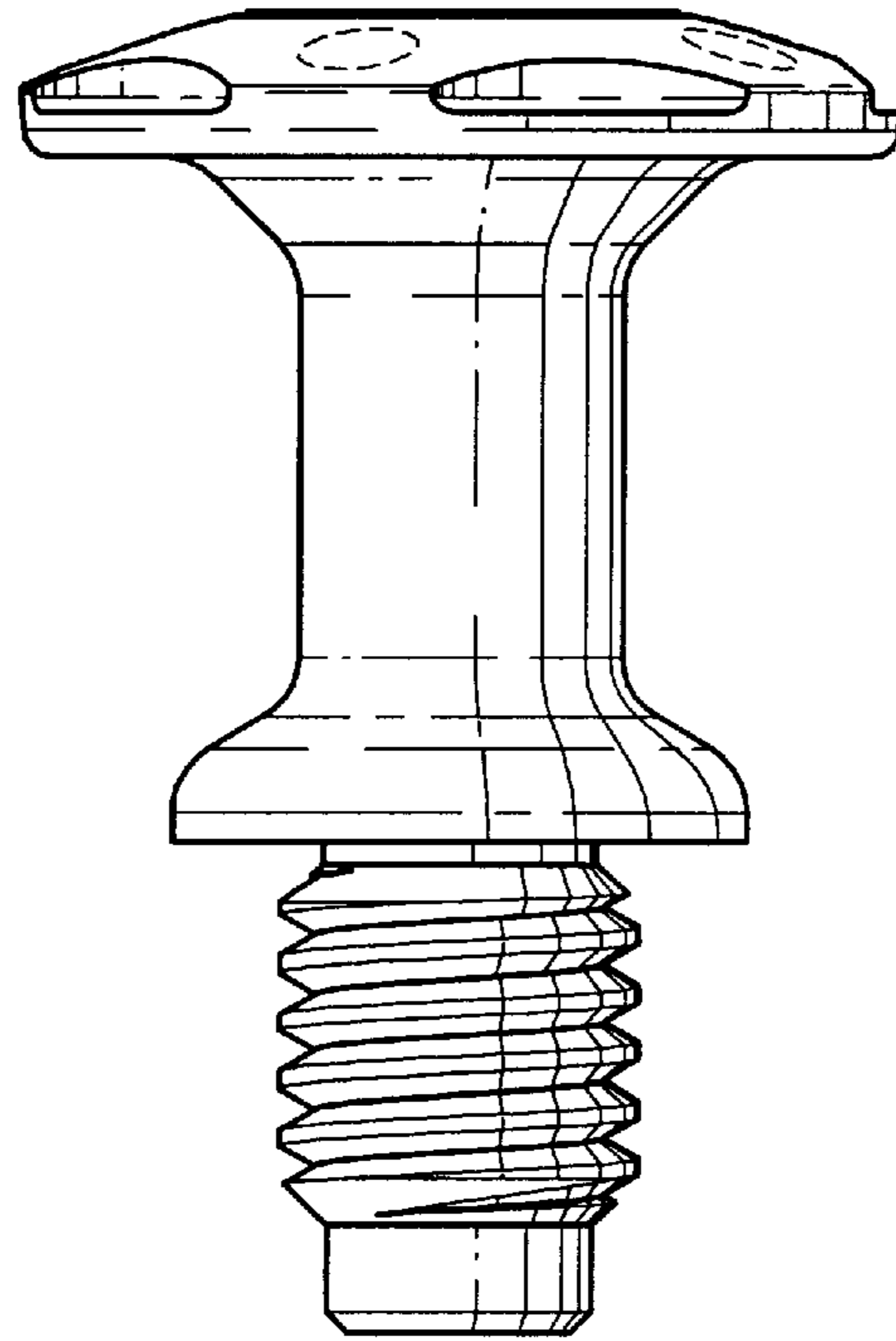


FIG. 4

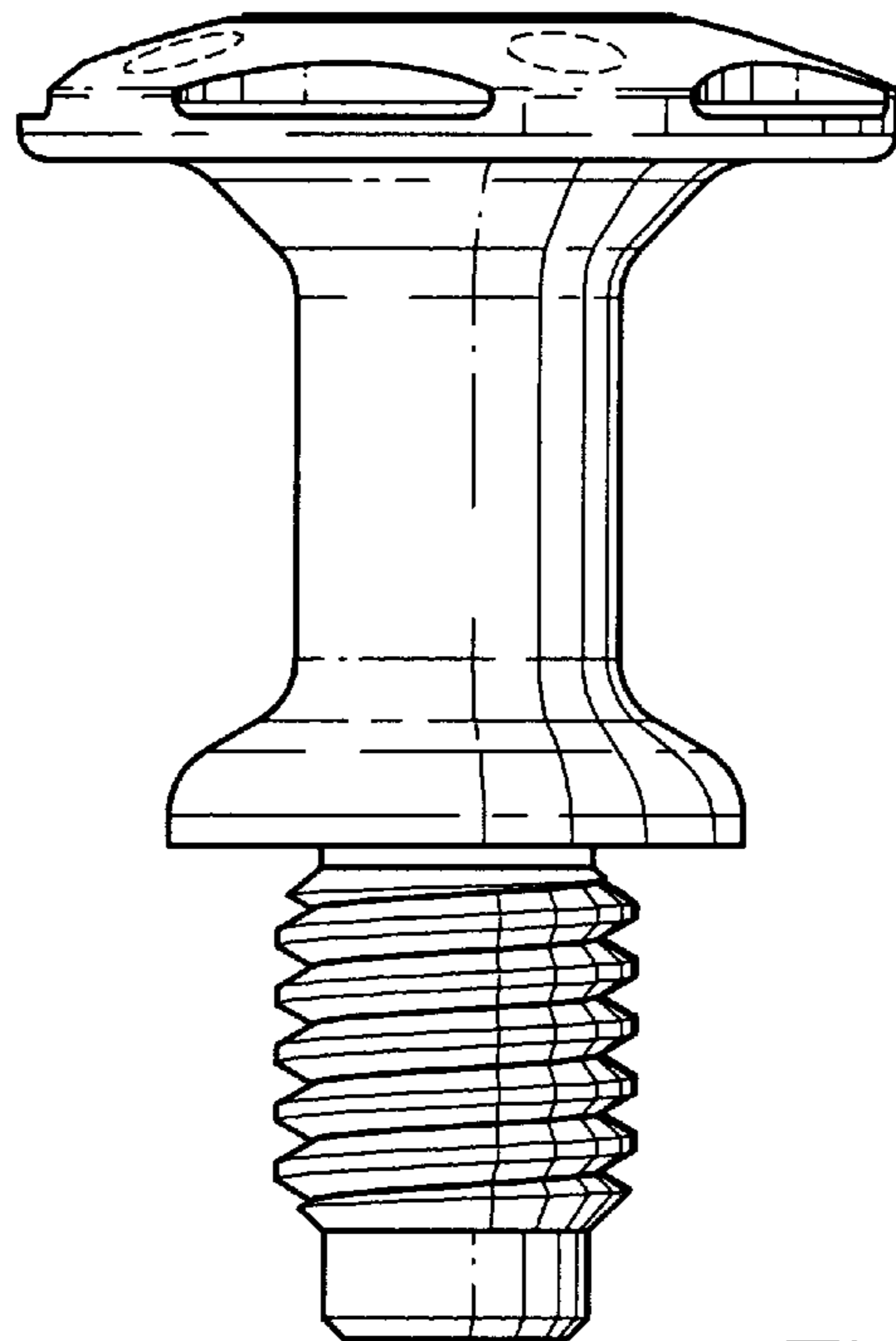


FIG. 5

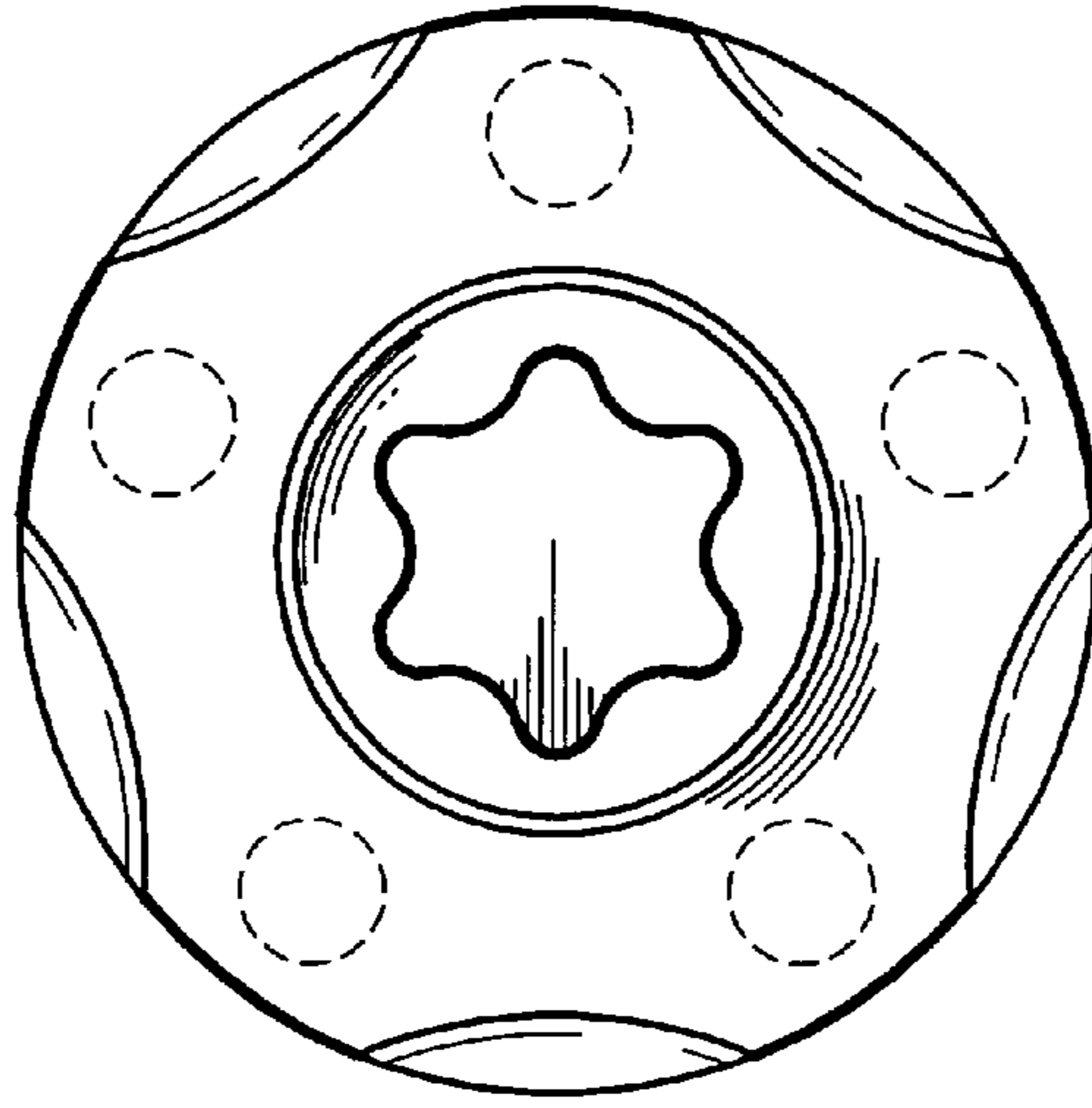


FIG. 6

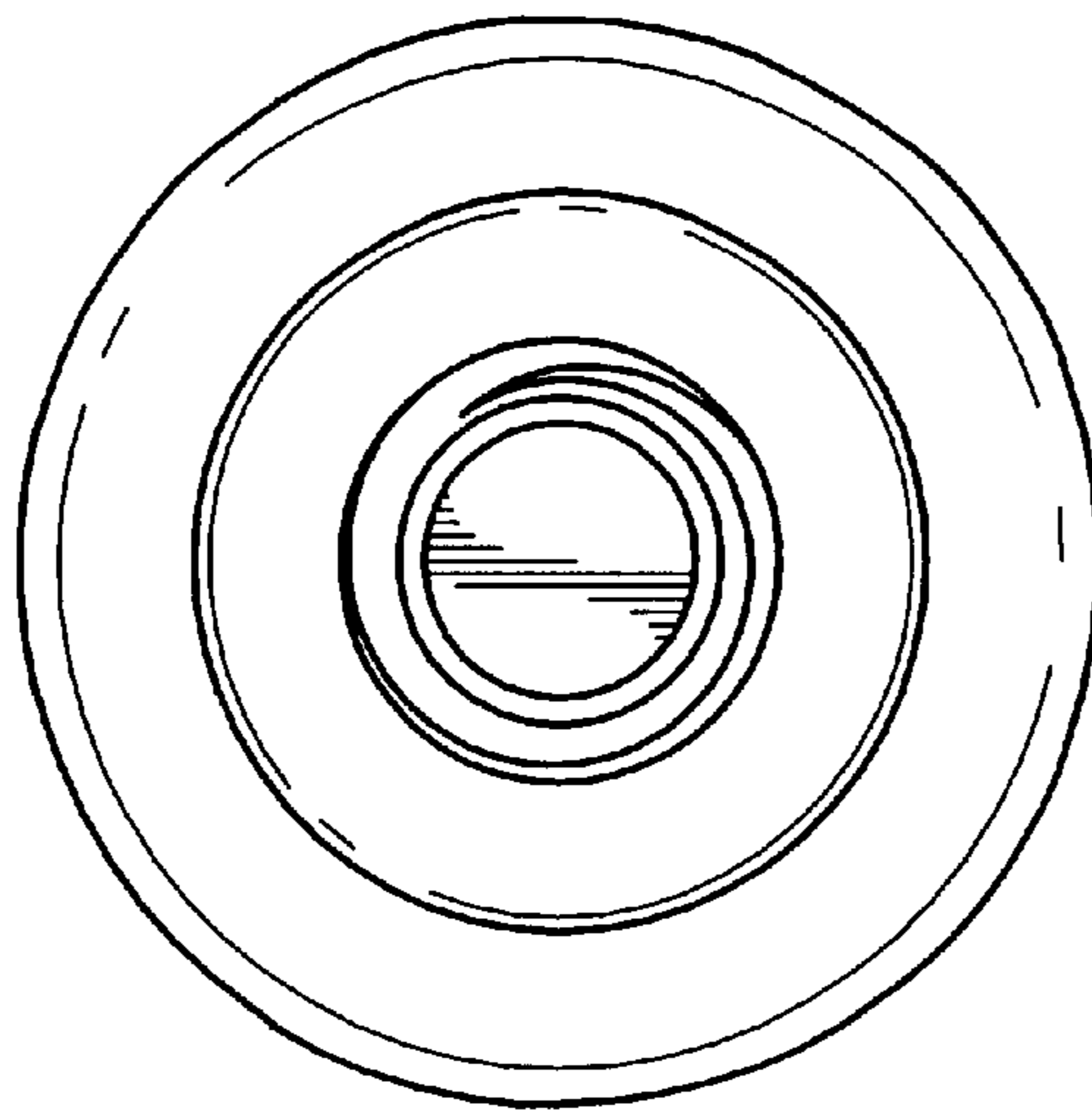


FIG. 7