



US00D515164S

(12) **United States Design Patent**
Lin

(10) **Patent No.:** **US D515,164 S**
(45) **Date of Patent:** **** Feb. 14, 2006**

- (54) **ROLLER SKATE**
- (75) **Inventor:** **Li Hua Lin, Hong Kong (CN)**
- (73) **Assignee:** **Grace Artificial Jewellery Manufacturing Company Limited, Hong Kong (CN)**
- (**) **Term:** **14 Years**
- (21) **Appl. No.:** **29/220,693**
- (22) **Filed:** **Jan. 5, 2005**
- (51) **LOC (8) Cl.** **21-02**
- (52) **U.S. Cl.** **D21/764**
- (58) **Field of Classification Search** **D21/760, D21/763, 764, 771; 841/11.16, 11.19, 11.202, 841/11.221, 11.26**
See application file for complete search history.

- D353,429 S * 12/1994 Gay et al. D21/764
- D397,389 S * 8/1998 Fung D21/764
- 6,145,853 A * 11/2000 Croshaw 280/11.221
- 6,497,420 B2 * 12/2002 Ricci 280/11.16
- D493,858 S * 8/2004 Green et al. D21/763

* cited by examiner

Primary Examiner—Antoine Duval Davis
Assistant Examiner—Cynthia M. Chin
(74) *Attorney, Agent, or Firm*—Alix, Yale & Ristas, LLP

(57) **CLAIM**

The ornamental design for a roller skate, as shown and described.

DESCRIPTION

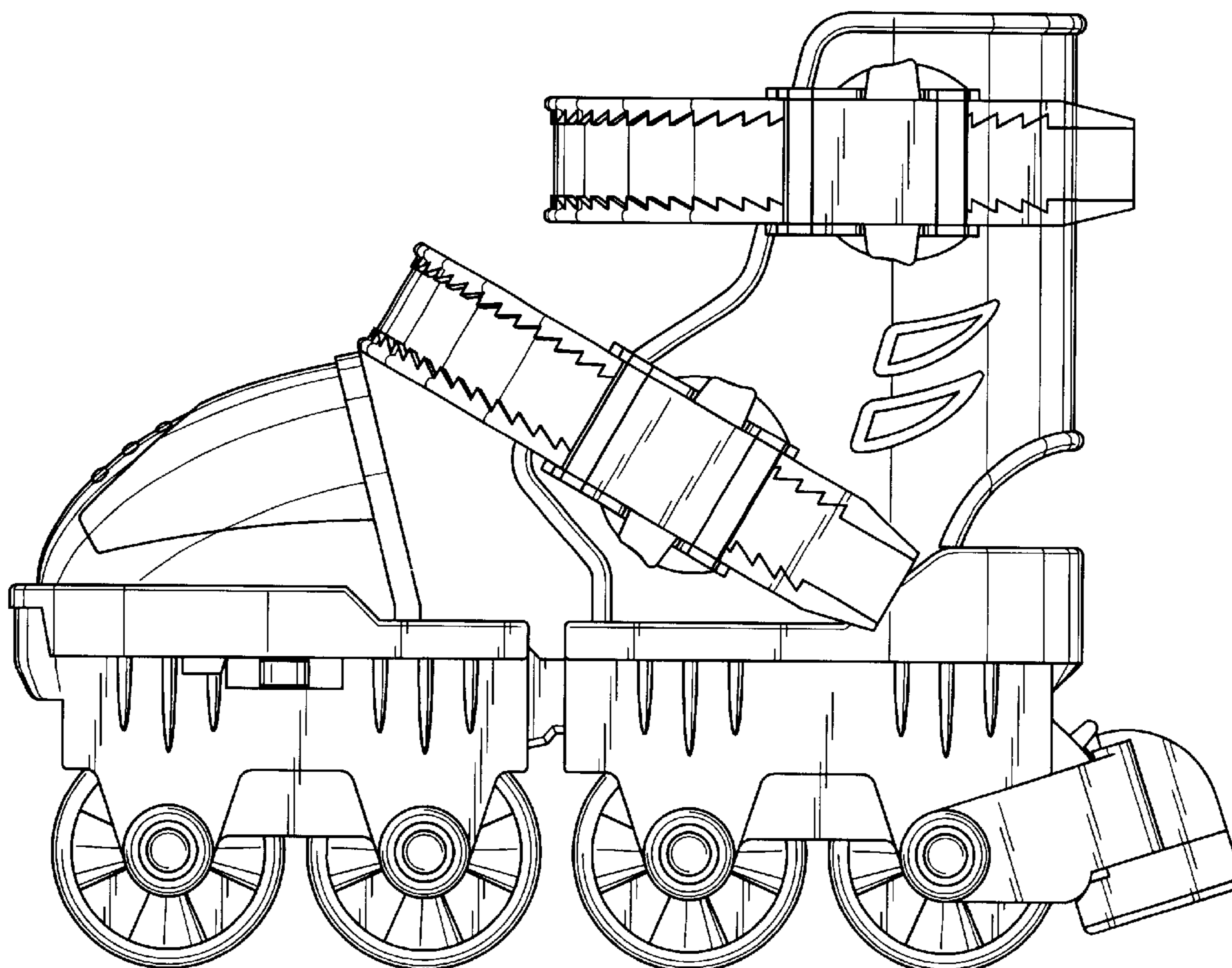
FIG. 1 is a front view of the roller skate showing my new design;
FIG. 2 is a top plan view of the roller skate of FIG. 1;
FIG. 3 is a left side view of the roller skate of FIG. 1;
FIG. 4 is a right side view of the roller skate of FIG. 1;
FIG. 5 is a rear view of the roller skate of FIG. 1; and,
FIG. 6 is a bottom plan view of the roller skate of FIG. 1.

(56) **References Cited**

U.S. PATENT DOCUMENTS

- 3,635,854 A * 1/1972 Martin 280/11.26
- 3,993,318 A * 11/1976 Rothmayer 280/11.26
- 4,304,417 A * 12/1981 Hsieh 280/11.26

1 Claim, 3 Drawing Sheets



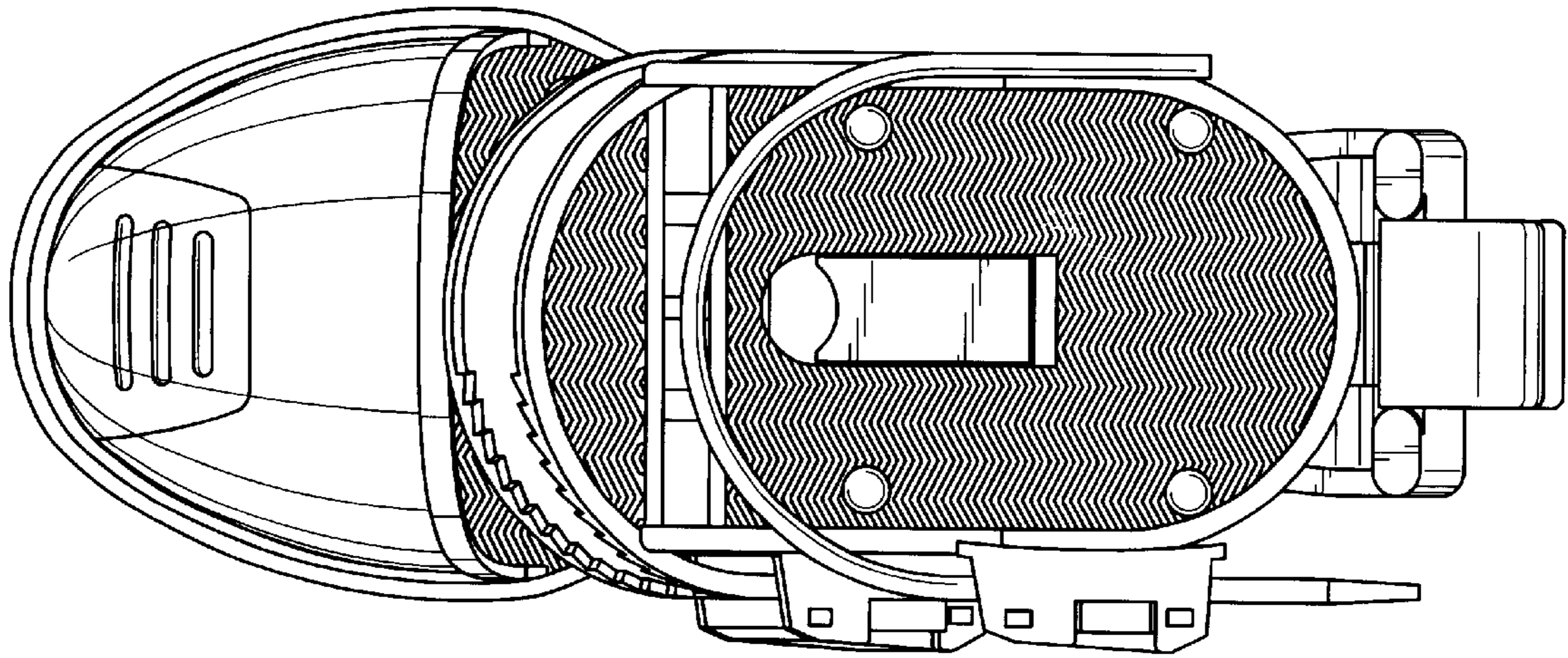


FIG. 2

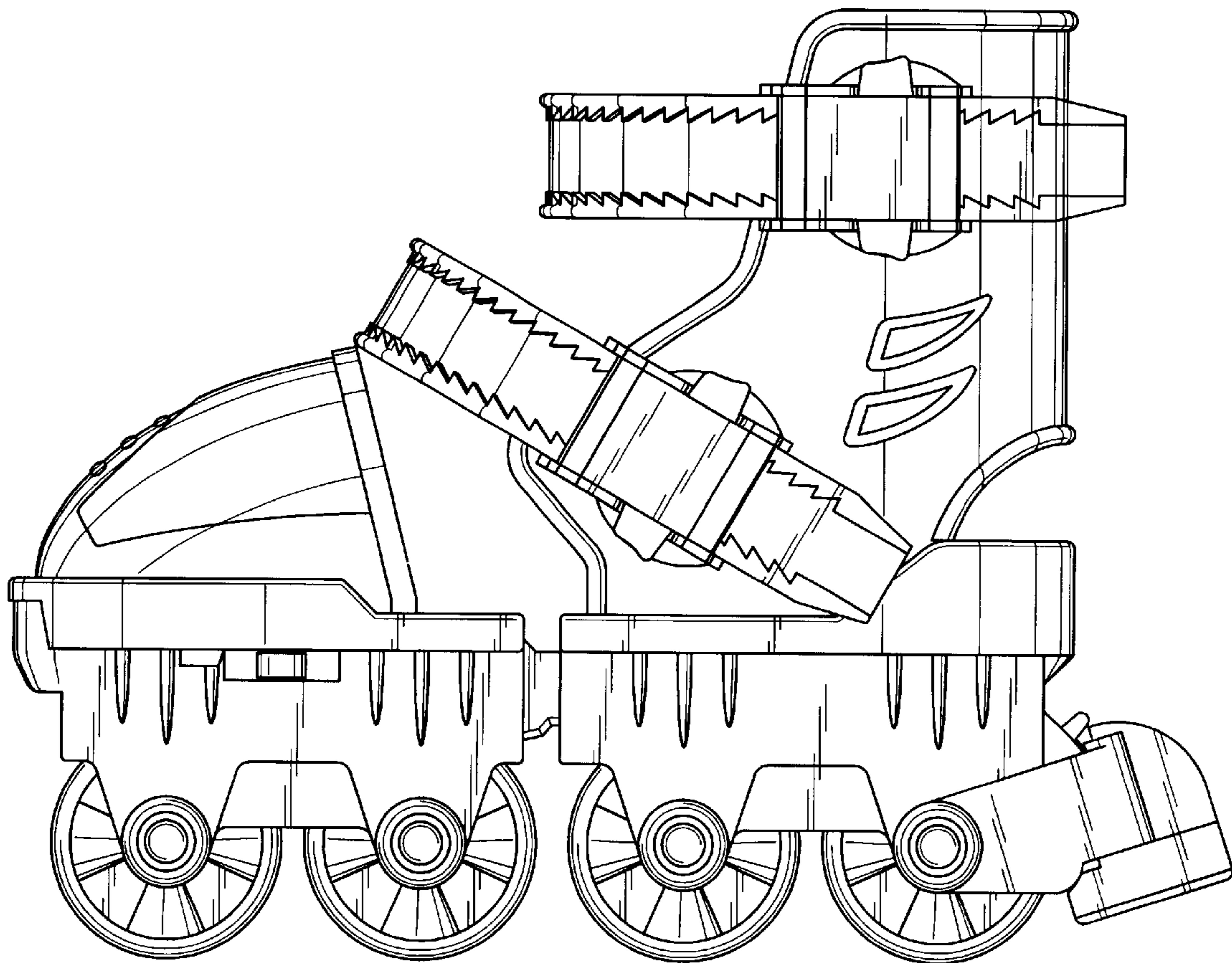


FIG. 1

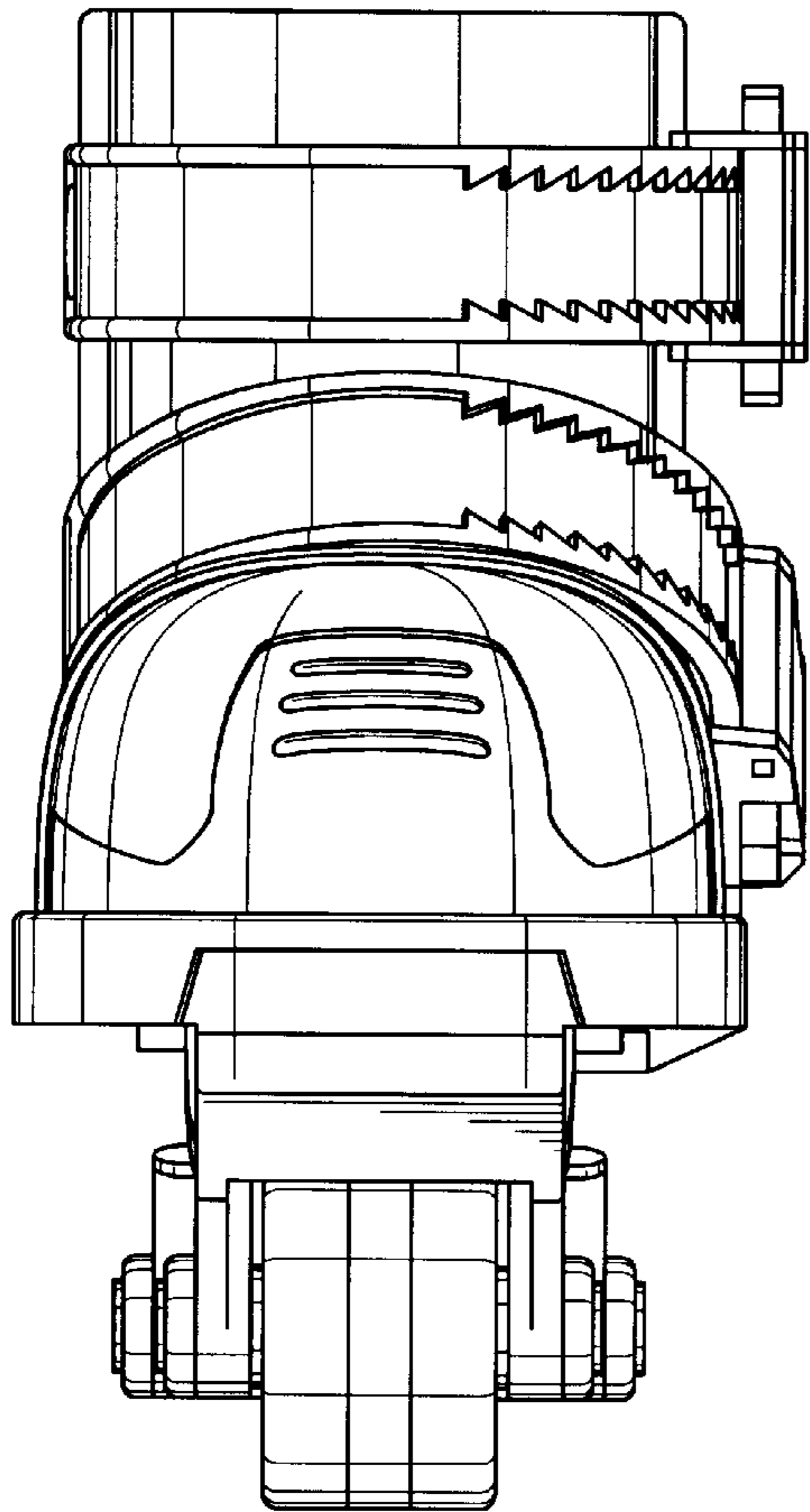


FIG. 3

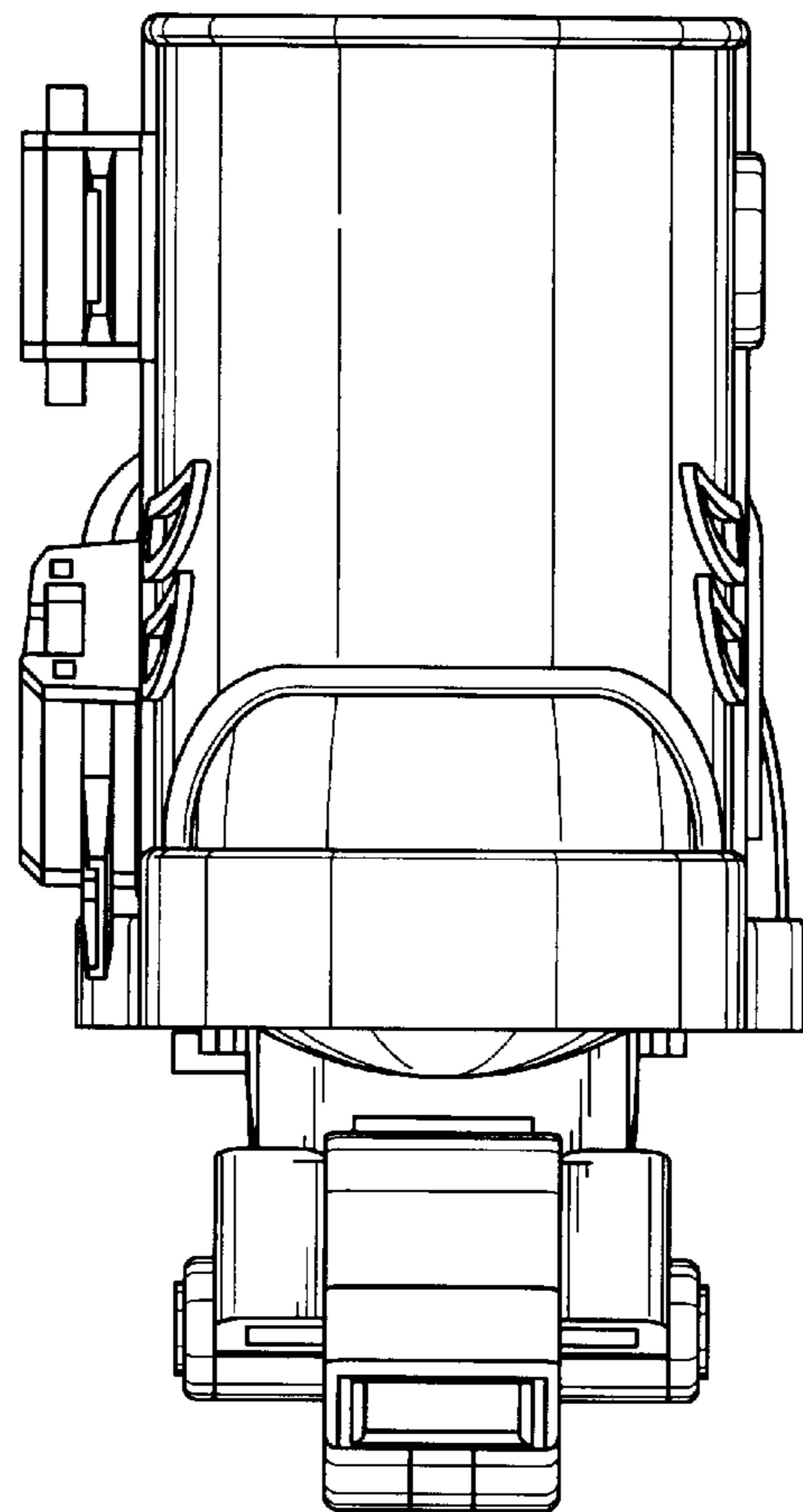


FIG. 4

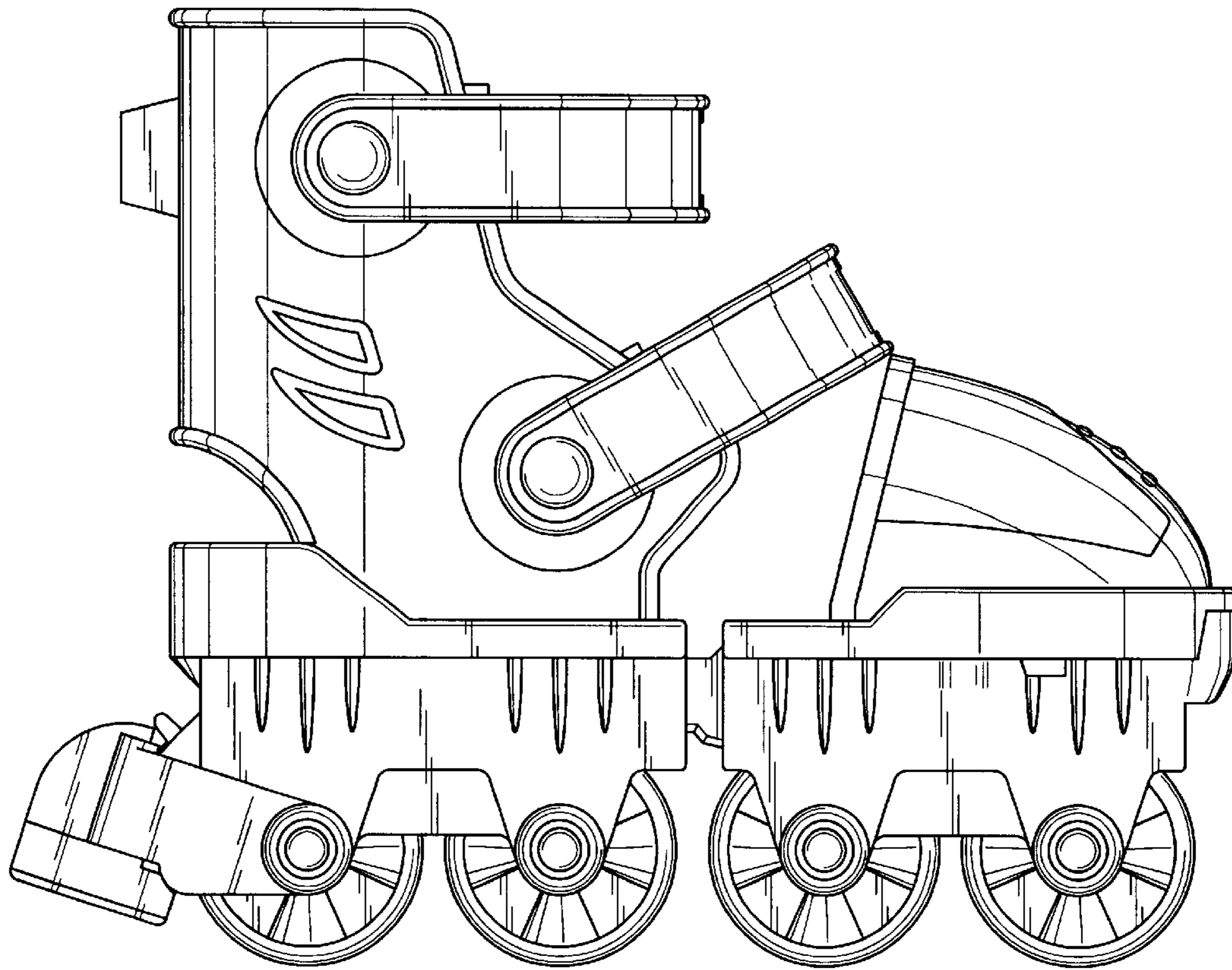


FIG. 5

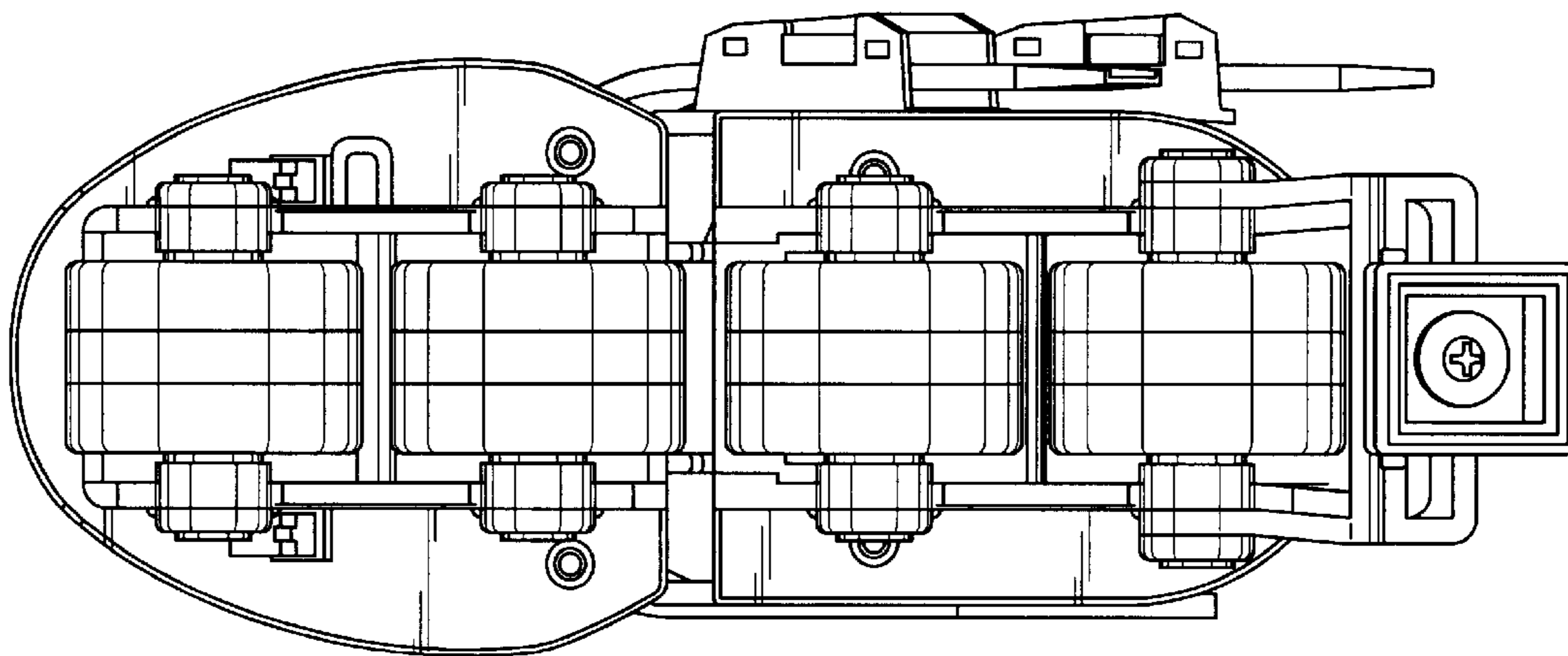


FIG. 6