



US00D515156S

(12) **United States Design Patent**
Garcia

(10) **Patent No.:** **US D515,156 S**

(45) **Date of Patent:** **** Feb. 14, 2006**

(54) **GOLF CLUB HEAD**

(76) **Inventor:** **Larry Garcia**, 396 Oakland Beach Ave., Rye, NY (US) 10580

(**) **Term:** **14 Years**

(21) **Appl. No.:** **29/221,568**

(22) **Filed:** **Jan. 19, 2005**

(51) **LOC (8) Cl.** **21-02**

(52) **U.S. Cl.** **D21/746**

(58) **Field of Classification Search** D21/735-746;
473/324-331, 340, 341, 251-256
See application file for complete search history.

(56) **References Cited**

U.S. PATENT DOCUMENTS

D58,209 S	*	6/1921	Bachelor	D21/745
D234,960 S	*	4/1975	Swash	D21/739
D248,050 S	*	5/1978	Muehl	D21/739
D285,818 S	*	9/1986	Moore	D21/741
D320,250 S	*	9/1991	Hughes	D21/745
D349,543 S	*	8/1994	MacDougall	D21/733
D360,922 S	*	8/1995	Grace	D21/745

D373,160 S	*	8/1996	Grace	D21/745
D373,162 S	*	8/1996	Meyer et al.	D21/743
D389,206 S	*	1/1998	Takahashi	D21/745
D405,490 S	*	2/1999	Hogan et al.	D21/736
D420,078 S	*	2/2000	Dawson	D21/736

* cited by examiner

Primary Examiner—Mitchell Siegel

(57) **CLAIM**

I claim the ornamental design for a golf club head, as shown in the drawing.

DESCRIPTION

FIG. 1 is a perspective view of a golf club head showing my new design.

FIG. 2 is a top plan view thereof.

FIG. 3 is a front elevation view thereof.

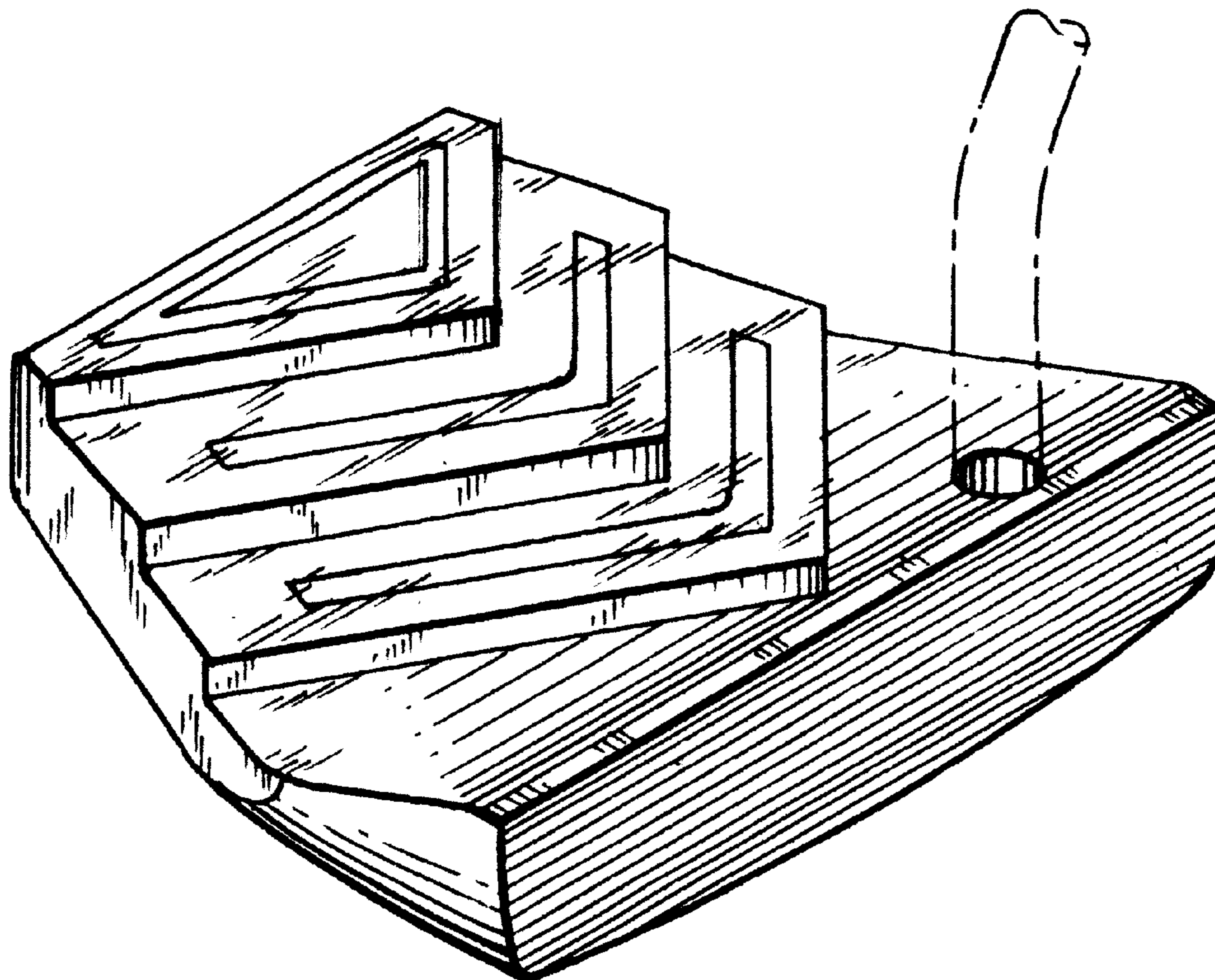
FIG. 4 is a bottom plan view thereof.

FIG. 5 is a right side elevation thereof, the undisclosed opposite side being a mirror image; and,

FIG. 6 is a rear elevation view thereof.

The broken line showing is for illustrative purposes only and forms no part of the claimed design.

1 Claim, 3 Drawing Sheets



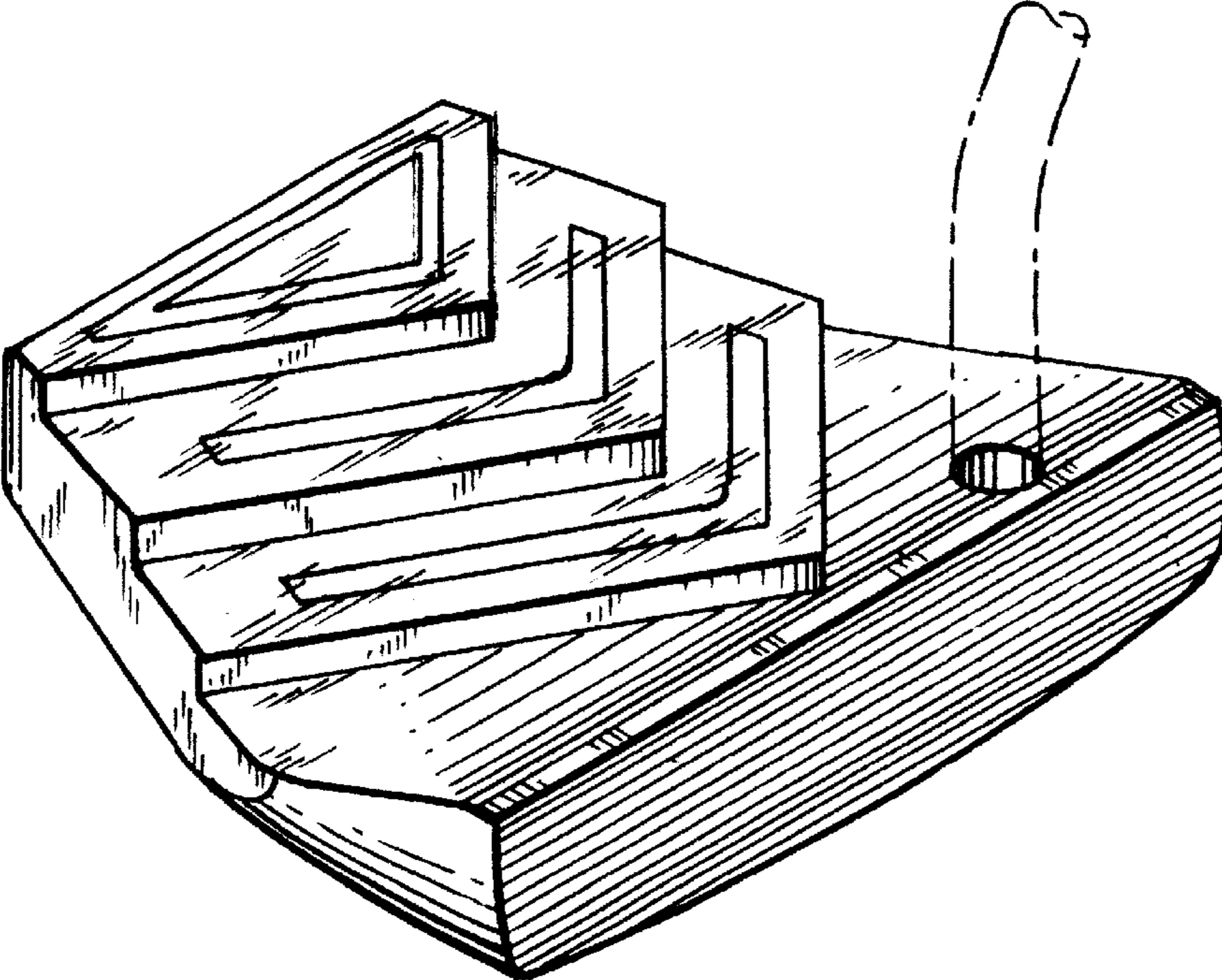


FIG. 1

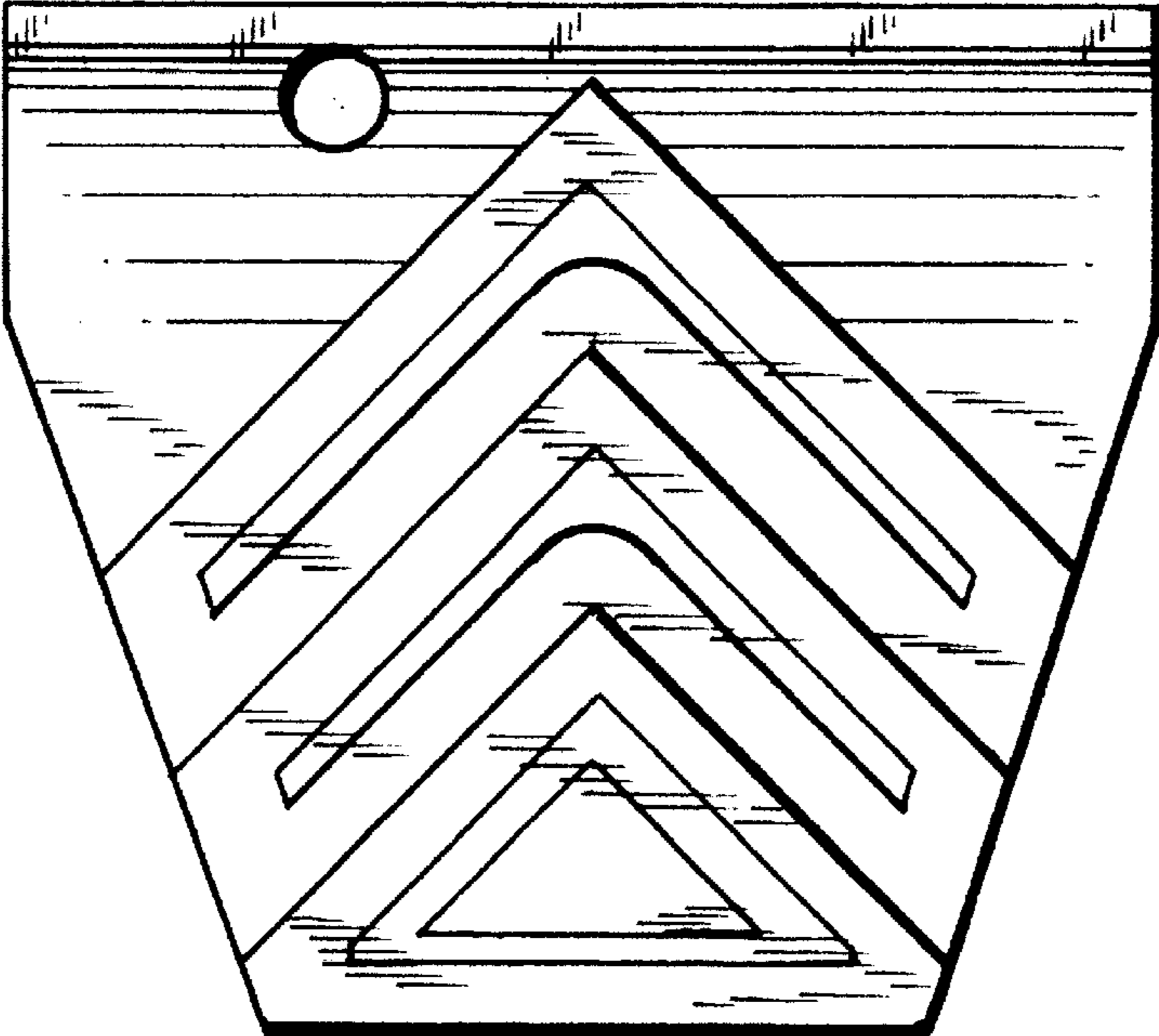


FIG. 2

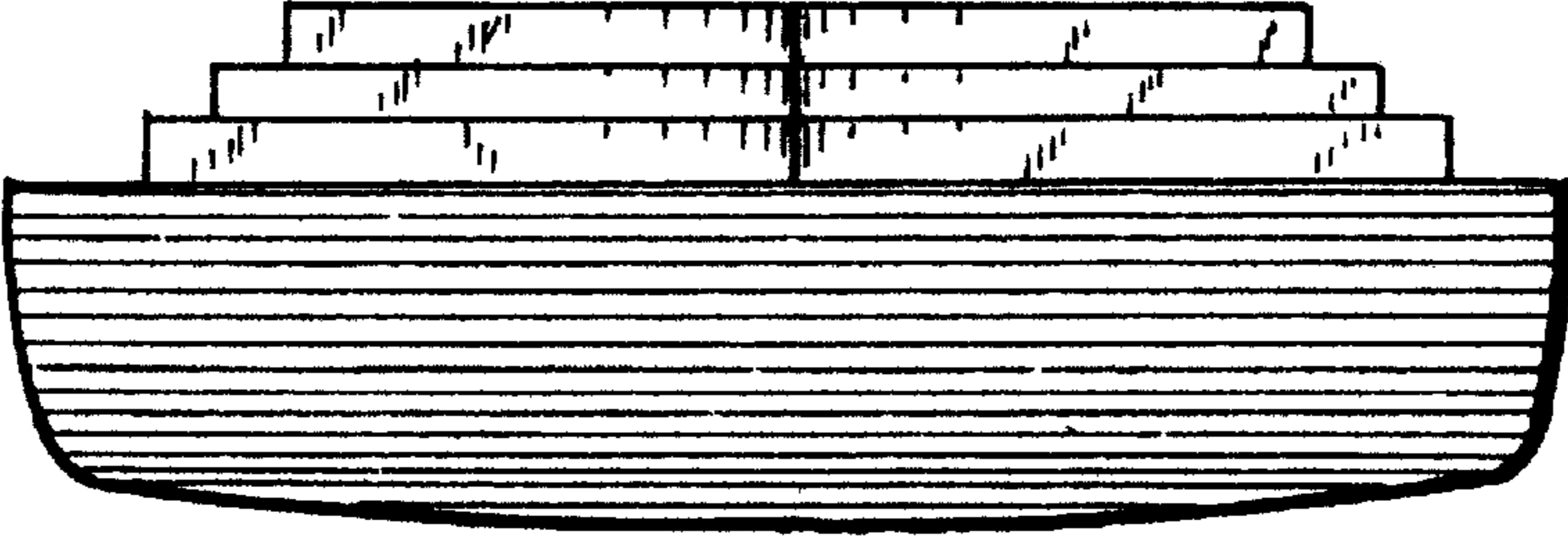


FIG.3

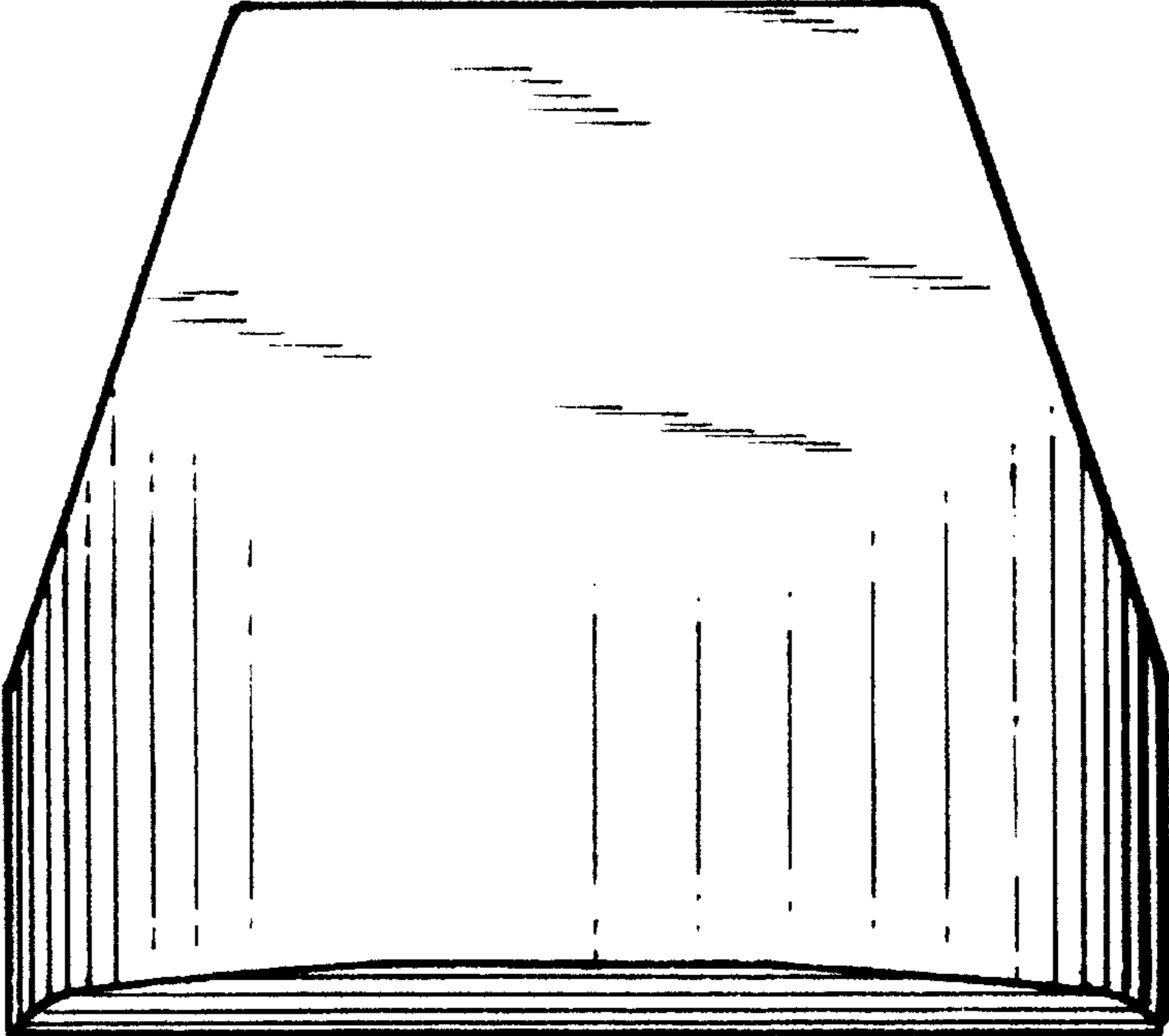


FIG.4

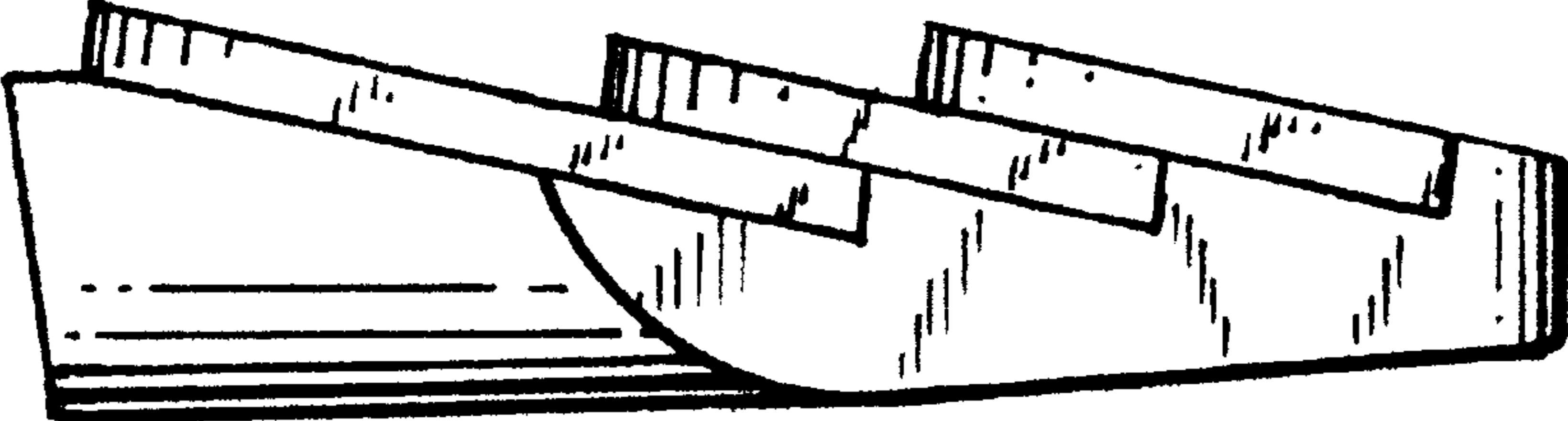


FIG. 5

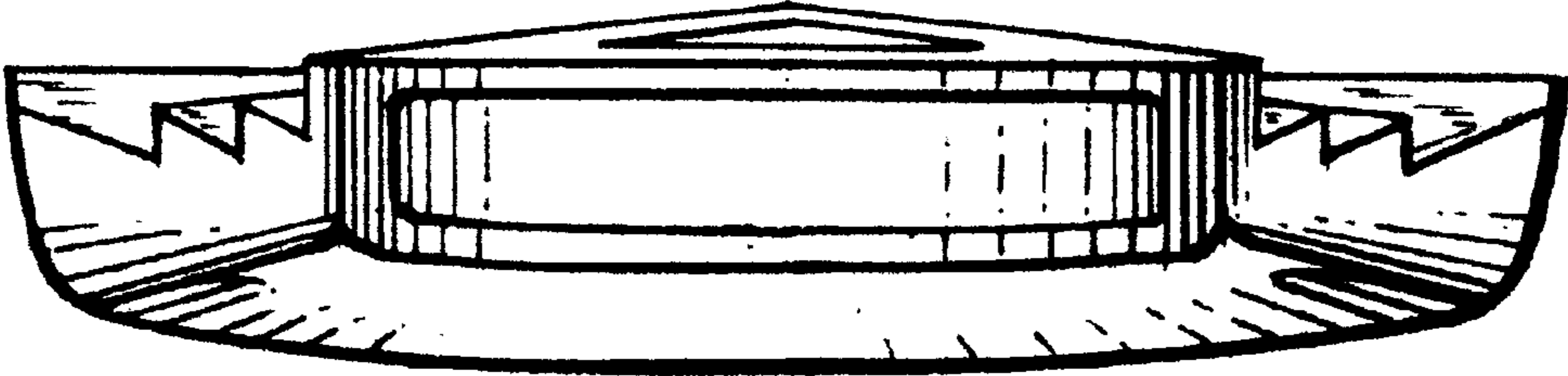


FIG. 6