



US00D515154S

(12) **United States Design Patent** (10) Patent No.: **US D515,154 S**
Coleman et al. (45) Date of Patent: **** Feb. 14, 2006**

- (54) **HOCKEY PUCK WITH VENTS** 5,269,520 A * 12/1993 Vellines 473/588
- (75) Inventors: **Michael Coleman**, Pompano Beach, FL 5,275,410 A 1/1994 Bellehumeur et al.
- (US); **Simon Berdugo**, Montreal (CA); D367,902 S * 3/1996 Silk D21/710
- Andrew J. Small**, Montreal (CA) 5,518,237 A * 5/1996 Bellehumeur 473/588
- 5,564,698 A * 10/1996 Honey et al. 473/570
- 5,597,161 A 1/1997 Bellehumeur et al.
- (73) Assignee: **ASSB Holding Company**, Montreal 5,695,420 A * 12/1997 Bellehumeur 473/588
- (CA) 5,707,308 A * 1/1998 Liu 473/588
- 5,718,648 A 2/1998 La Savio
- (**) Term: **14 Years** D396,255 S * 7/1998 Kotler D21/710
- 5,816,965 A * 10/1998 Kotler 473/588
- (21) Appl. No.: **29/214,235** D401,649 S * 11/1998 Bellehumeur D21/710
- (22) Filed: **Sep. 29, 2004** 6,200,238 B1 * 3/2001 Tackett 473/588
- 6,592,476 B1 7/2003 Bellehumeur et al.

* cited by examiner

Related U.S. Application Data

- (63) Continuation of application No. 10/946,822, filed on Sep. 21, 2004.
 - (51) **LOC (8) Cl.** **21-02**
 - (52) **U.S. Cl.** **D21/710**
 - (58) **Field of Classification Search** D21/710;
473/569-572, 588, 589, FOR 132, FOR 134,
473/FOR 167
- See application file for complete search history.

Primary Examiner—Catherine Tuttle

(74) *Attorney, Agent, or Firm*—Laurence A. Greenberg;
Werner H. Stemer; Ralph E. Locher

(57) **CLAIM**

The ornamental design for a hockey puck with vents, as shown and described.

DESCRIPTION

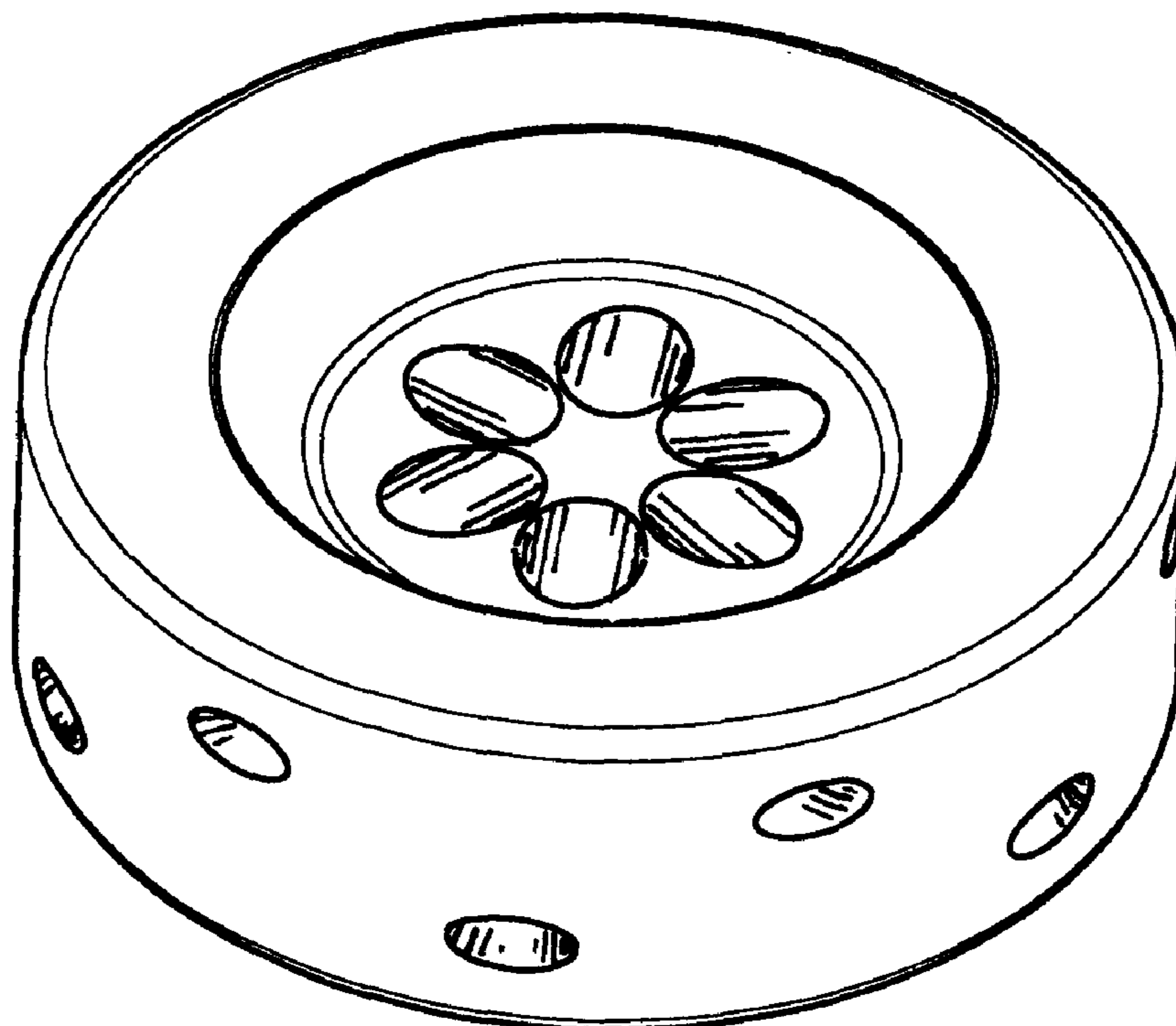
FIG. 1 is a perspective view of a puck with vents according to the invention;
FIG. 2 is a front elevational view of FIG. 1; and corresponds to the left or right side of FIG. 3; and,
FIG. 3 is a top plan view thereof, the bottom plan view appearing the same.

(56) **References Cited**

U.S. PATENT DOCUMENTS

- 2,727,744 A 12/1955 Watson
- 3,726,526 A 4/1973 Radovich
- 3,784,204 A 1/1974 Felber
- 4,111,419 A 9/1978 Pellegrino
- 5,149,096 A 9/1992 Keating et al.

1 Claim, 1 Drawing Sheet



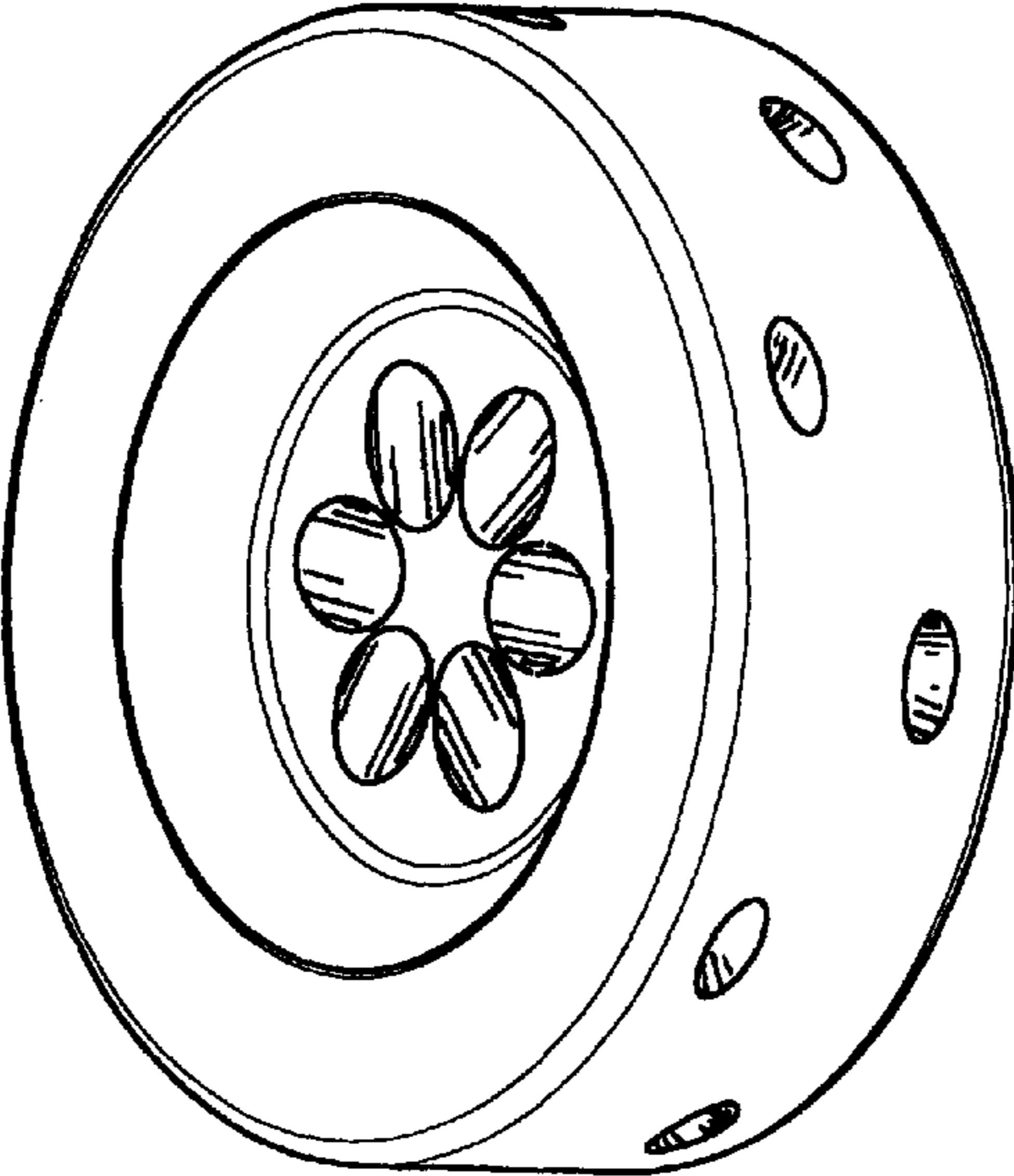


FIG 1

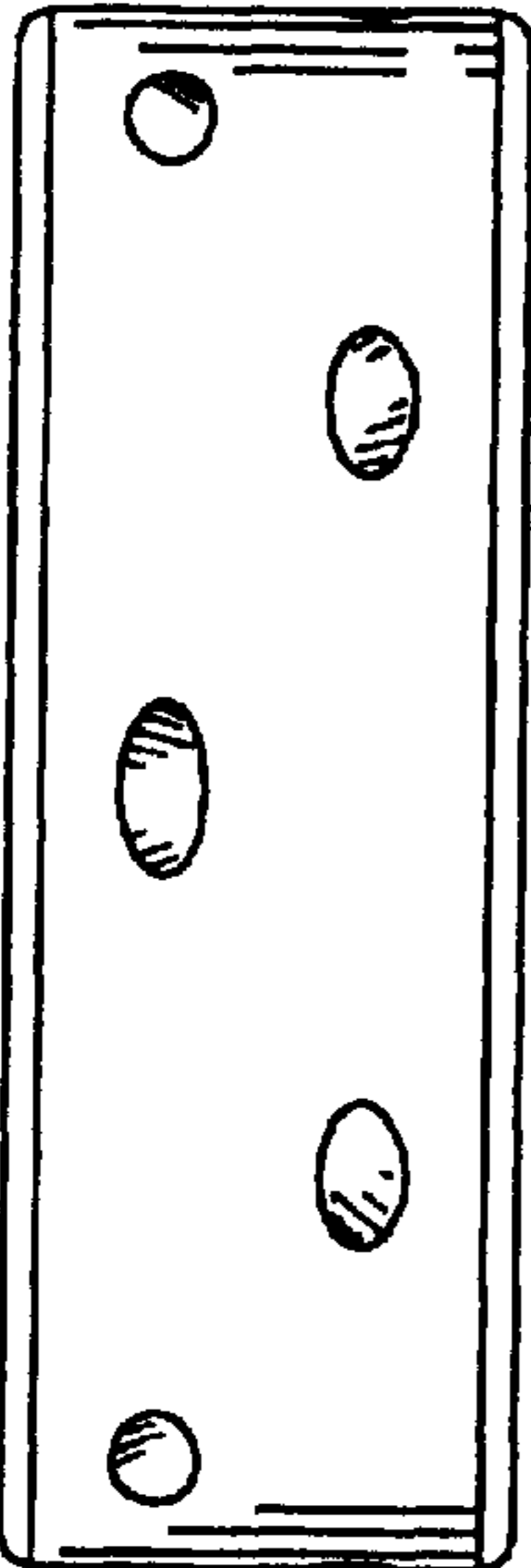


FIG 2

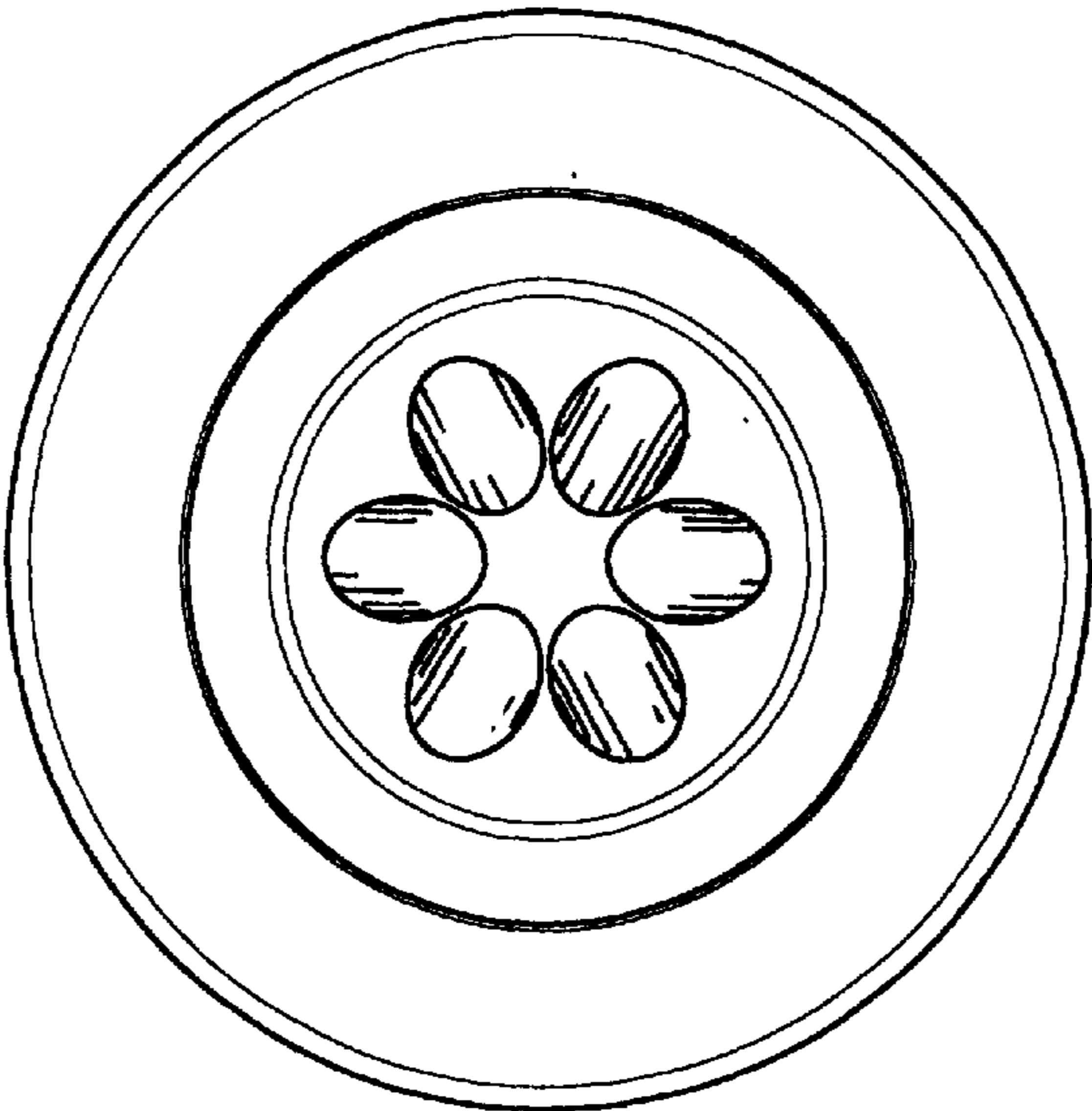


FIG 3