



US00D515153S

(12) **United States Design Patent**
Rolfes

(10) **Patent No.:** **US D515,153 S**
(45) **Date of Patent:** **** Feb. 14, 2006**

(54) **EXERCISE APPARATUS**

5,554,091 A * 9/1996 Patey 482/111

(76) Inventor: **Bernhard Rolfes**, Breddenberger
Strasse 13, 26901 Lorup (DE)

* cited by examiner

(**) Term: **14 Years**

Primary Examiner—Philip S. Hyder
(74) *Attorney, Agent, or Firm*—Price, Heneveld, Cooper,
DeWitt & Litton, LLP

(21) Appl. No.: **29/191,889**

(57) **CLAIM**

(22) Filed: **Oct. 14, 2003**

I claim the ornamental design for a exercise apparatus, as shown.

Related U.S. Application Data

DESCRIPTION

(62) Division of application No. 29/169,319, filed on Oct. 17, 2002, now Pat. No. Des. 495,384.

(30) **Foreign Application Priority Data**

Apr. 18, 2002 (DE) 402 03 427
Aug. 9, 2002 (DE) 402 06 662

(51) **LOC (8) Cl.** **21-02**

(52) **U.S. Cl.** **D21/697; D21/694; D21/662**

(58) **Field of Classification Search** D21/662,
D21/663, 668, 670, 694, 697; 482/51, 52,
482/53, 55, 57, 111; 601/23

See application file for complete search history.

FIG. 1 is a perspective view showing the front, top, and side of an exercise apparatus of the present invention;
FIG. 2 is an elevational view of a first side of the exercise apparatus of the present invention;
FIG. 3 is an elevational view of the rear of the exercise apparatus of the present invention;
FIG. 4 is an elevational view of a second side of a exercise apparatus of the present invention;
FIG. 5 is an elevational view of the front of the exercise apparatus of the present inventions;
FIG. 6 is a plan view of the top of the exercise apparatus of the present invention; and,
FIG. 7 is a plan view of the bottom of the exercise apparatus of the present invention.

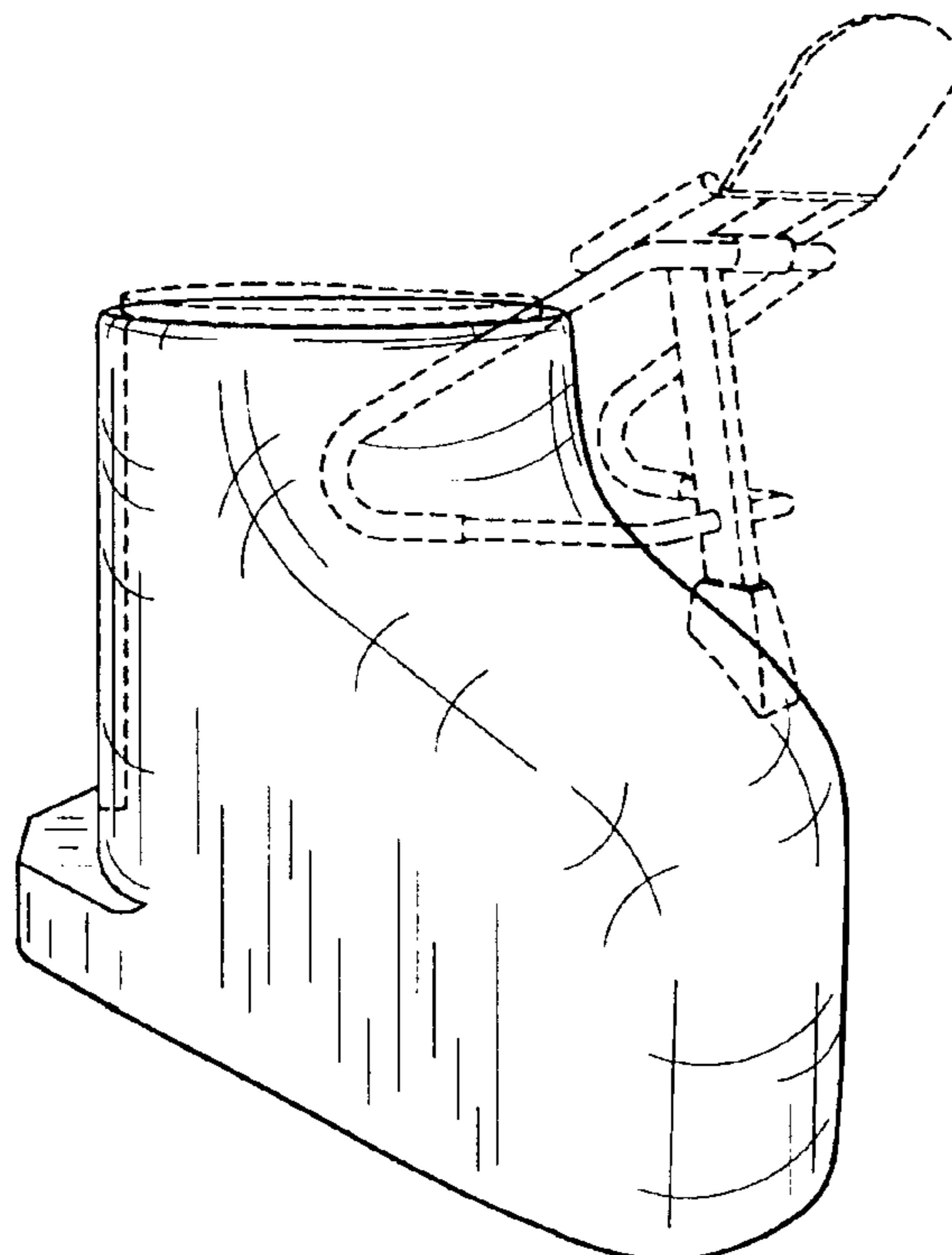
The broken line structure is for illustrative purposes only and forms no part of the claimed design.

(56) **References Cited**

U.S. PATENT DOCUMENTS

4,759,544 A * 7/1988 Diaz 482/111
5,133,339 A * 7/1992 Whalen et al. 601/23
5,316,532 A * 5/1994 Butler 482/111

1 Claim, 3 Drawing Sheets



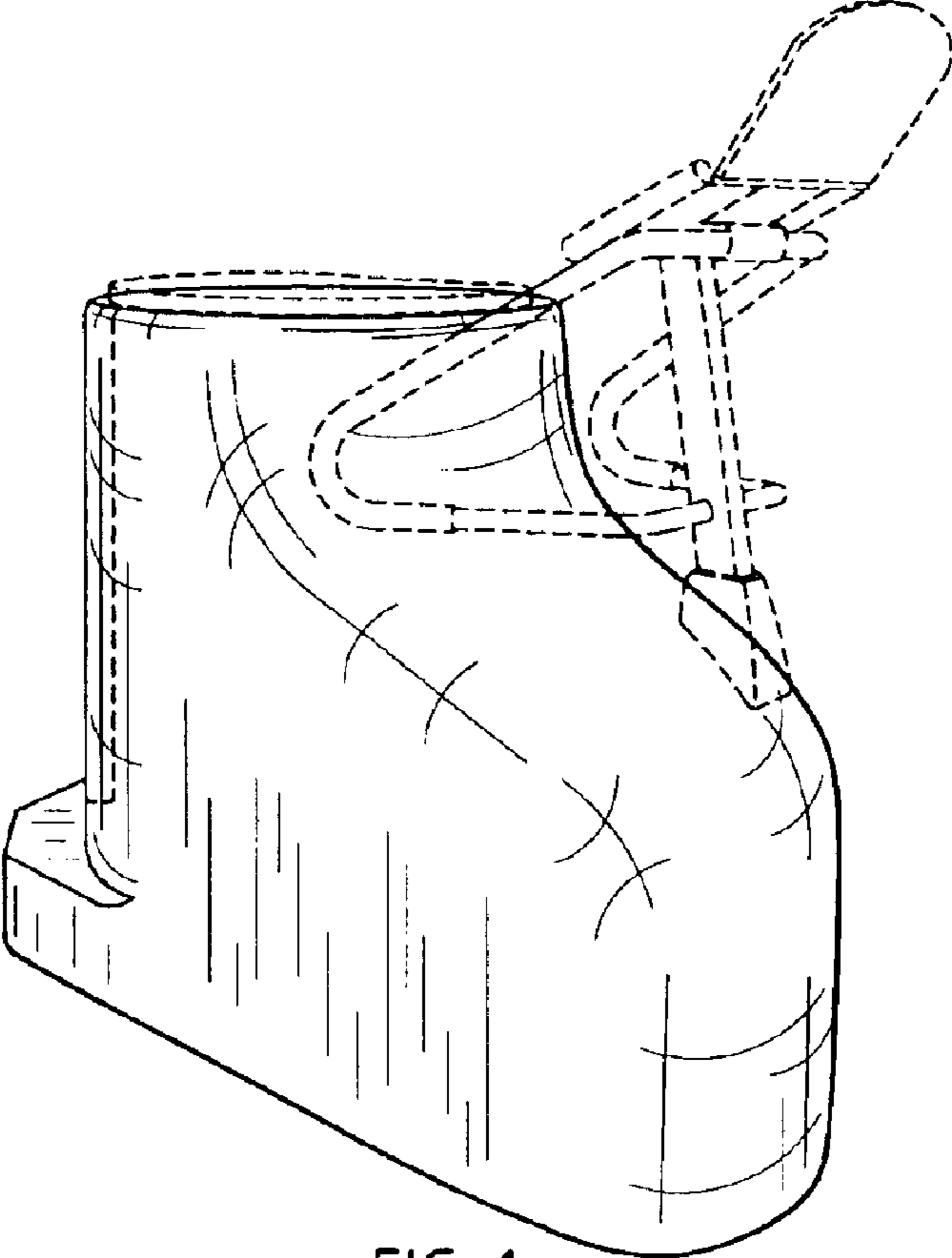


FIG. 1

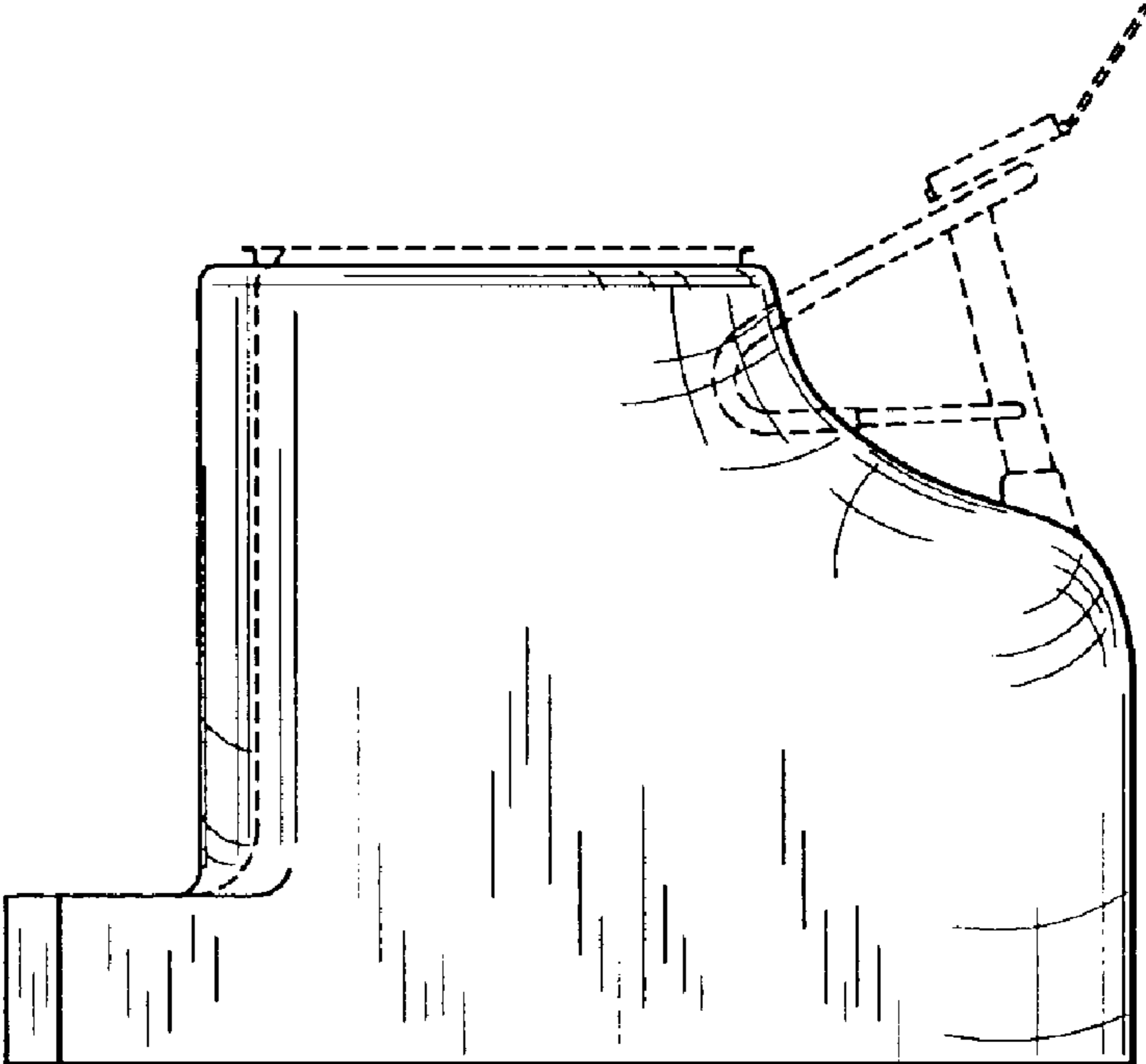


FIG. 2

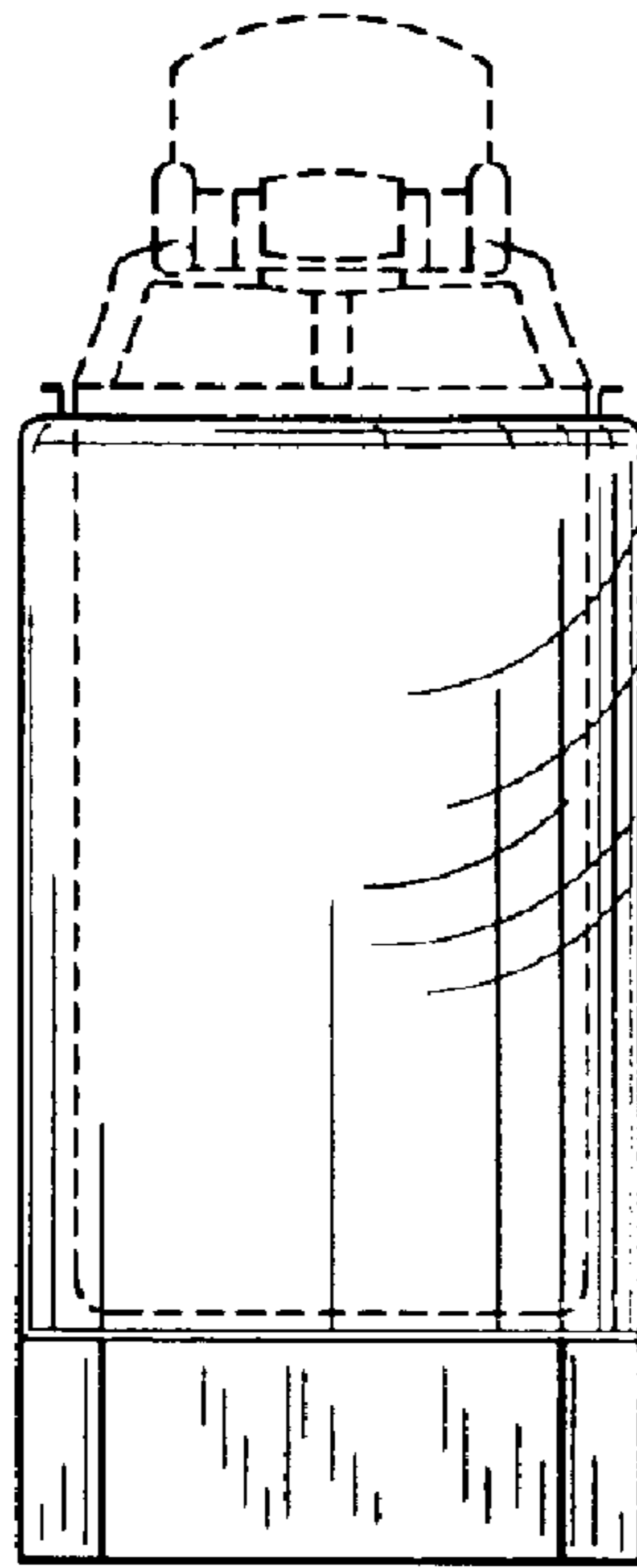


FIG. 3

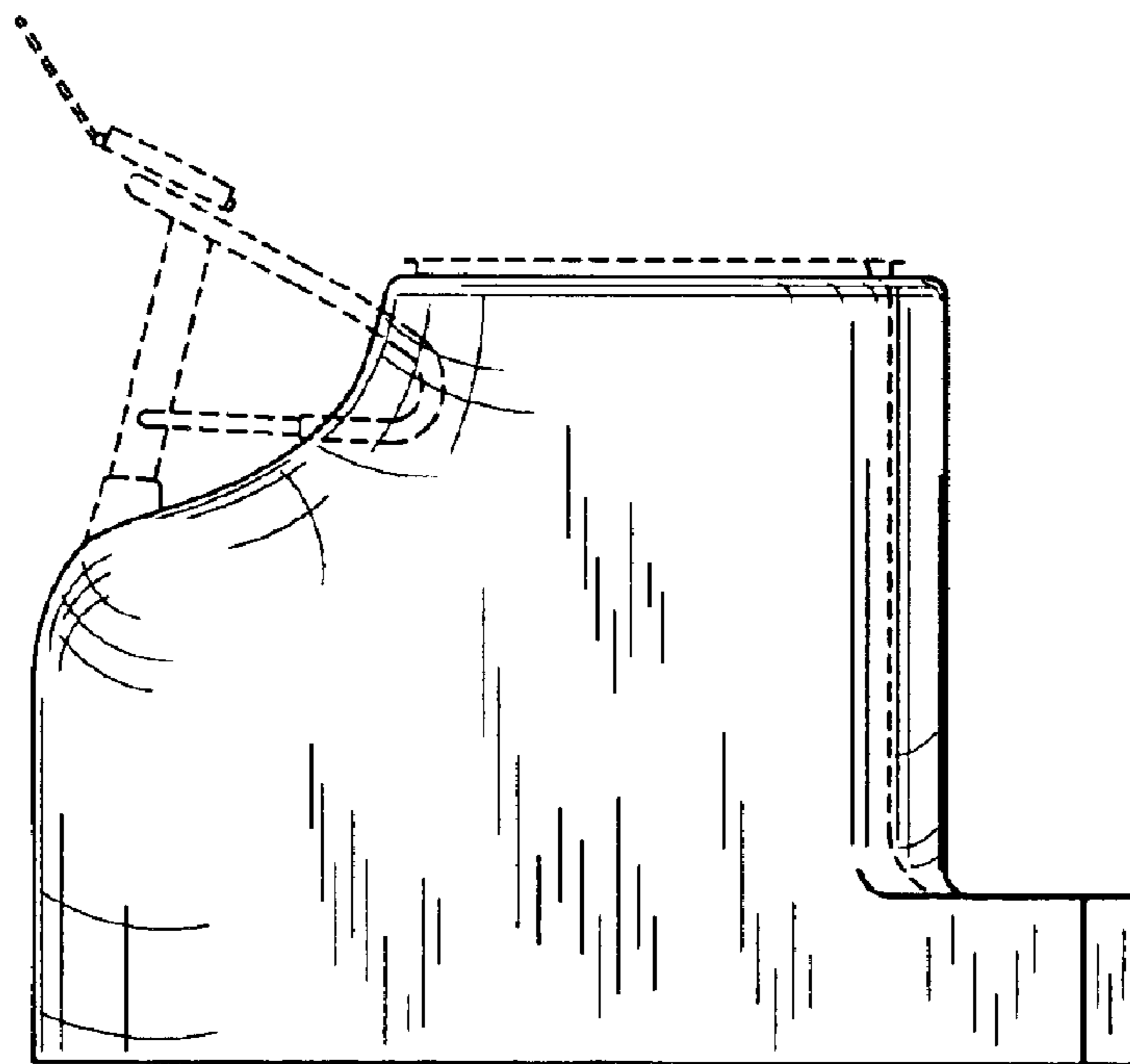


FIG. 4

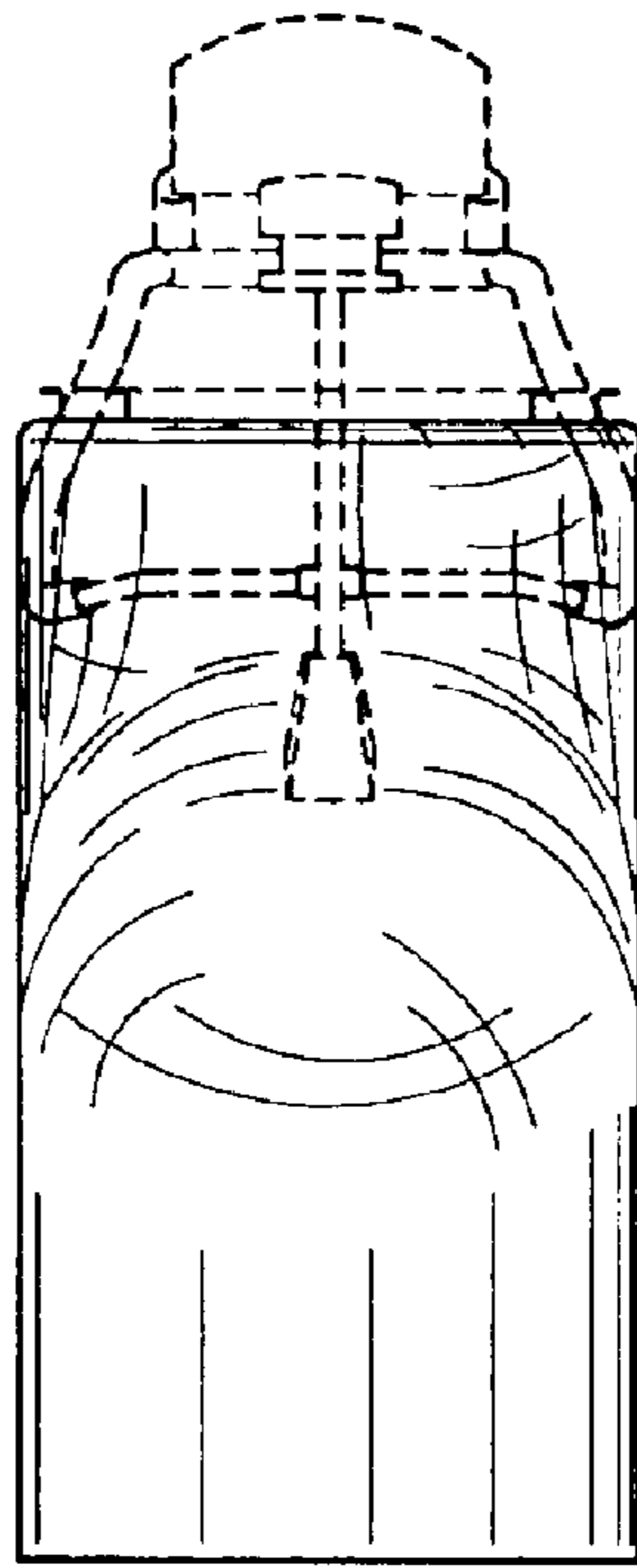


FIG. 5

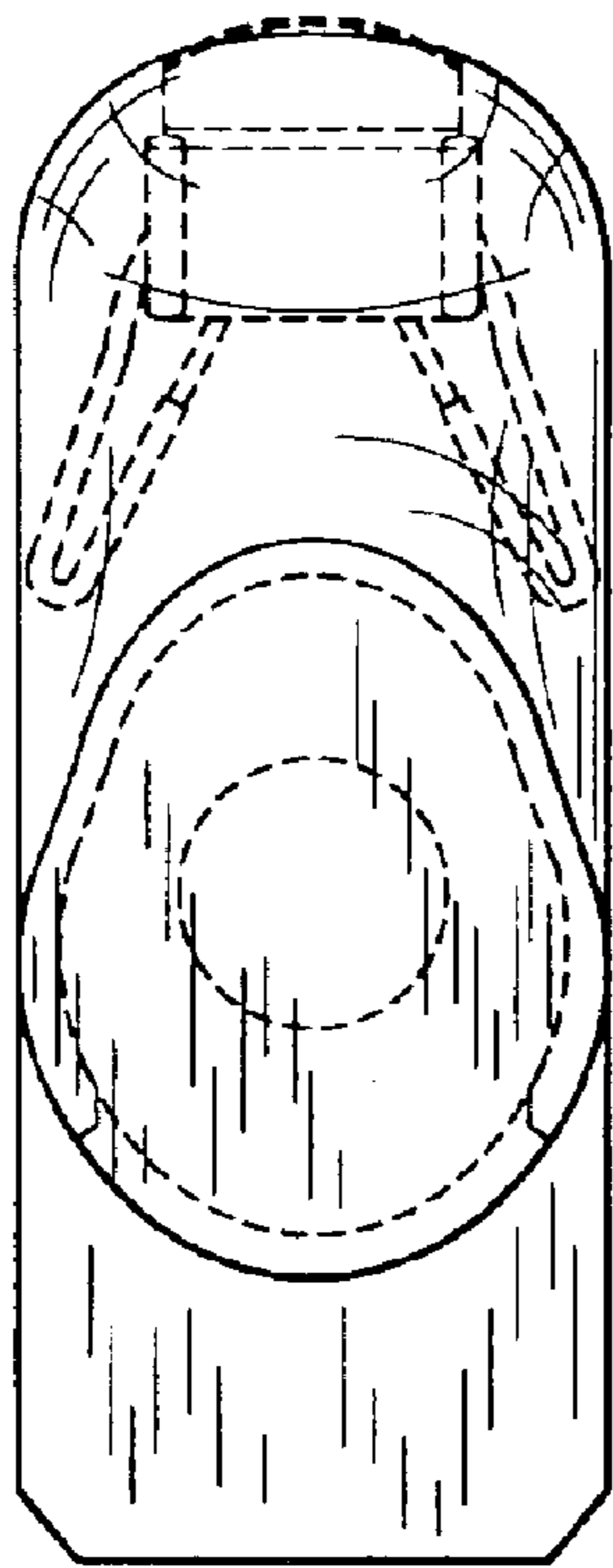


FIG. 6

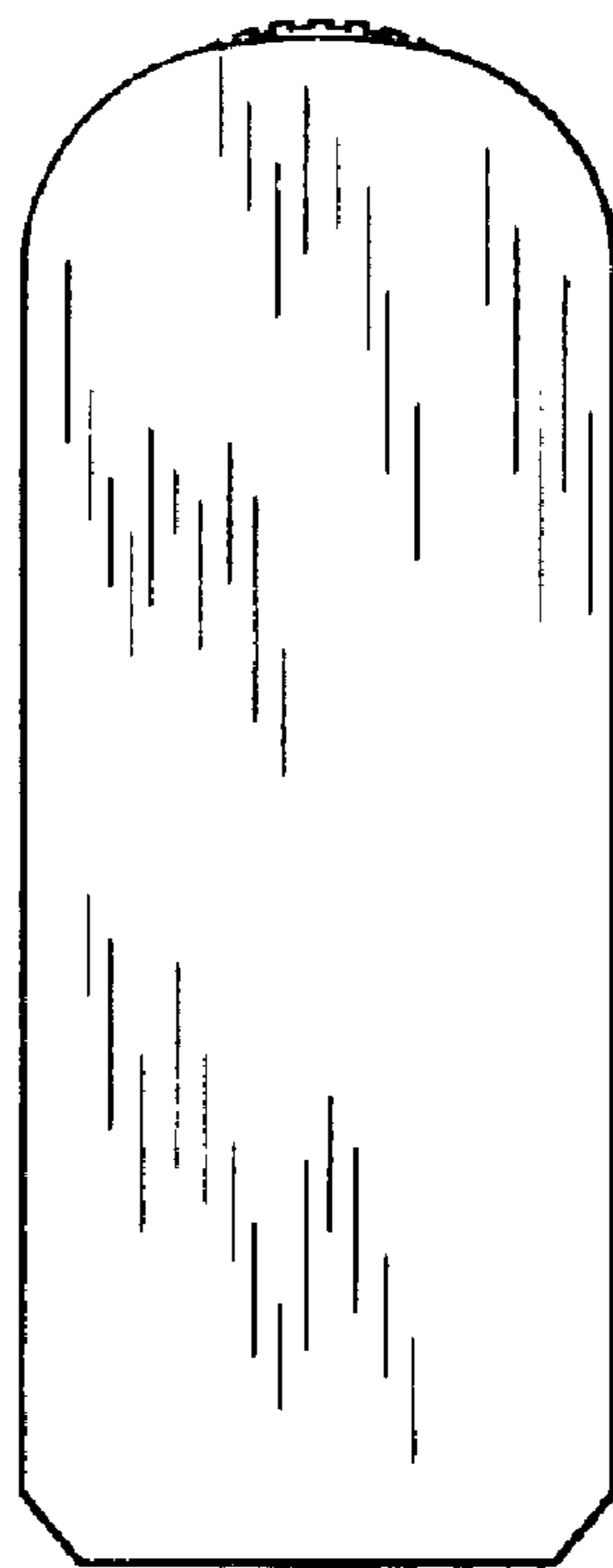


FIG. 7