

US00D515151S

(12) **United States Design Patent**
Proud et al.

(10) **Patent No.: US D515,151 S**

(45) **Date of Patent: ** Feb. 14, 2006**

(54) **EXERCISE STATION**

(75) Inventors: **Ian Proud**, Selinsgrove, PA (US); **Eric Tritsch**, Spring Mills, PA (US)

(73) Assignee: **Playworld Systems, Inc.**, Lewisburg, PA (US)

(**) Term: **14 Years**

(21) Appl. No.: **29/194,595**

(22) Filed: **Nov. 25, 2003**

(51) **LOC (8) Cl.** **21-02**

(52) **U.S. Cl.** **D21/662; D21/686**

(58) **Field of Classification Search** D21/662,
D21/686, 691, 814; D25/16, 23; 482/35,
482/36, 37, 148, 908; 472/136

See application file for complete search history.

(56) **References Cited**

U.S. PATENT DOCUMENTS

D357,913 S	*	5/1995	Kunis	D14/146
D389,666 S	*	1/1998	Caya	D6/421
D397,558 S	*	9/1998	Caya	D6/421
D399,974 S	*	10/1998	Olofsson	D25/56
D401,348 S	*	11/1998	Fabiano	D25/16
D409,761 S	*	5/1999	O'Reilly	D25/16
D433,153 S	*	10/2000	Caya	D25/16
6,228,005 B1	*	5/2001	Gray	482/23
6,413,198 B1	*	7/2002	Gray	482/148

* cited by examiner

Primary Examiner—Philip S. Hyder

(74) *Attorney, Agent, or Firm*—Drinker Biddle & Reath LLP

(57) **CLAIM**

The ornamental design for an exercise station, as shown and described.

DESCRIPTION

FIG. 1 is a front view of a first embodiment of an exercise station according to the present invention.

FIG. 2 is a perspective view showing the left side, front and roof of the exercise station shown in FIG. 1.

FIG. 3 is a right side view of the exercise station shown in FIG. 1, the left side being a mirror image.

FIG. 4 is a top plan view of the exercise station shown in FIG. 1.

FIG. 5 is a front view of a second embodiment of the exercise station of the present invention, the top view being the same as the view shown in FIG. 4.

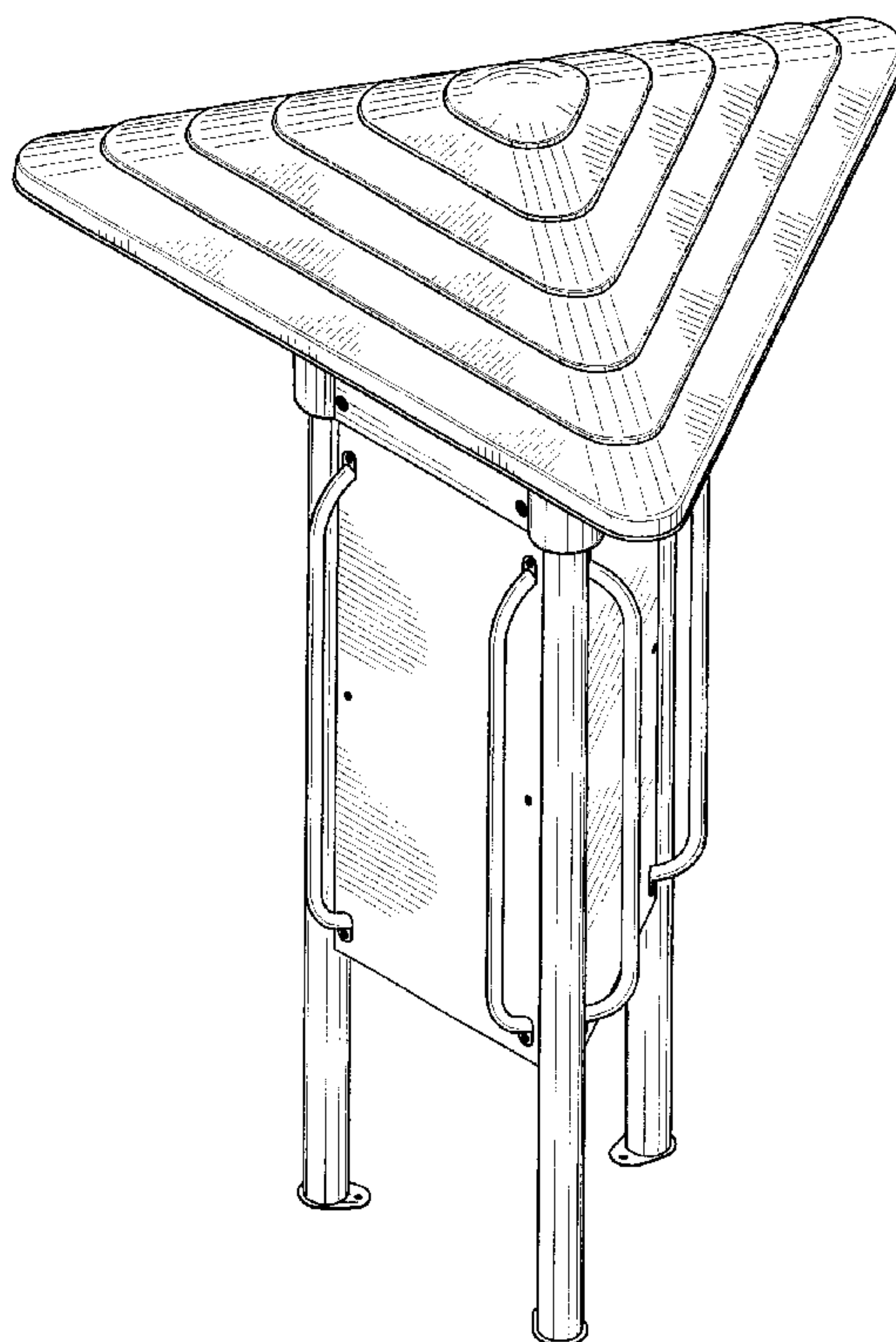
FIG. 6 is a perspective view showing the left side, front and roof of the exercise station shown in FIG. 5.

FIG. 7 is a right side view of the exercise station shown in FIG. 5, the left side being a mirror image.

FIG. 8 is a bottom view of the exercise station shown in FIG. 1; and,

FIG. 9 is a bottom view of the exercise station shown in FIG. 5.

1 Claim, 9 Drawing Sheets



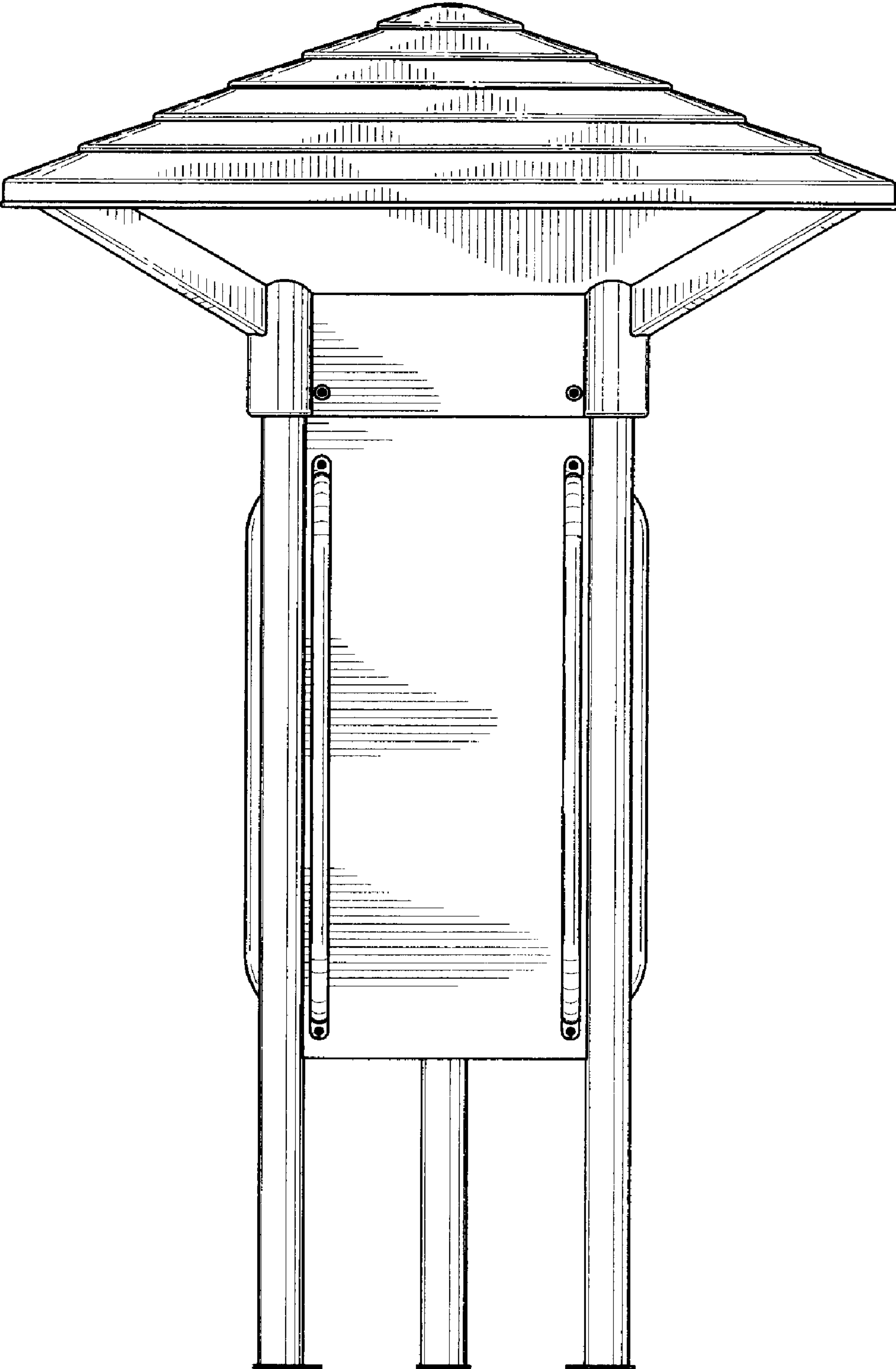


FIG. 1

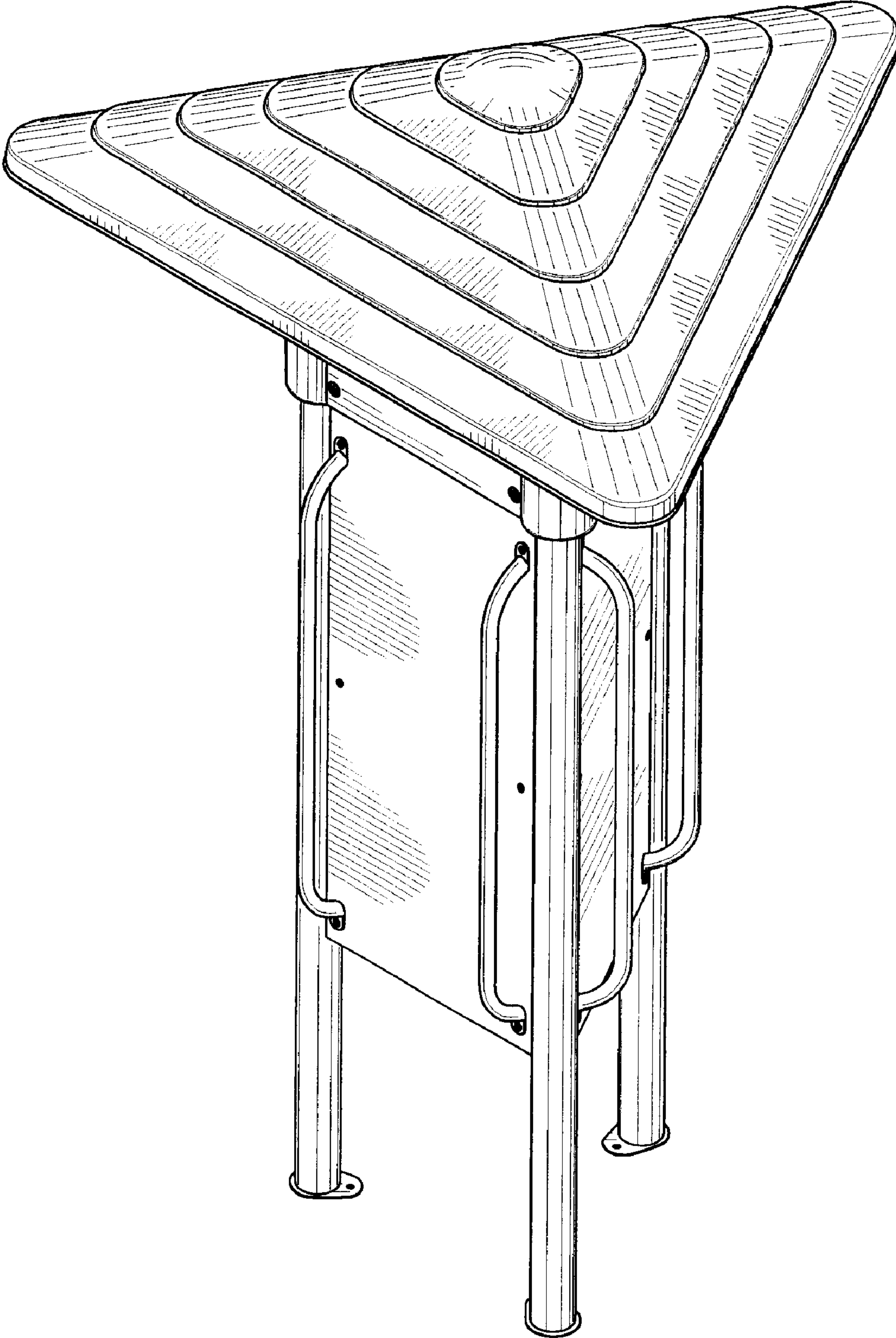


FIG. 2

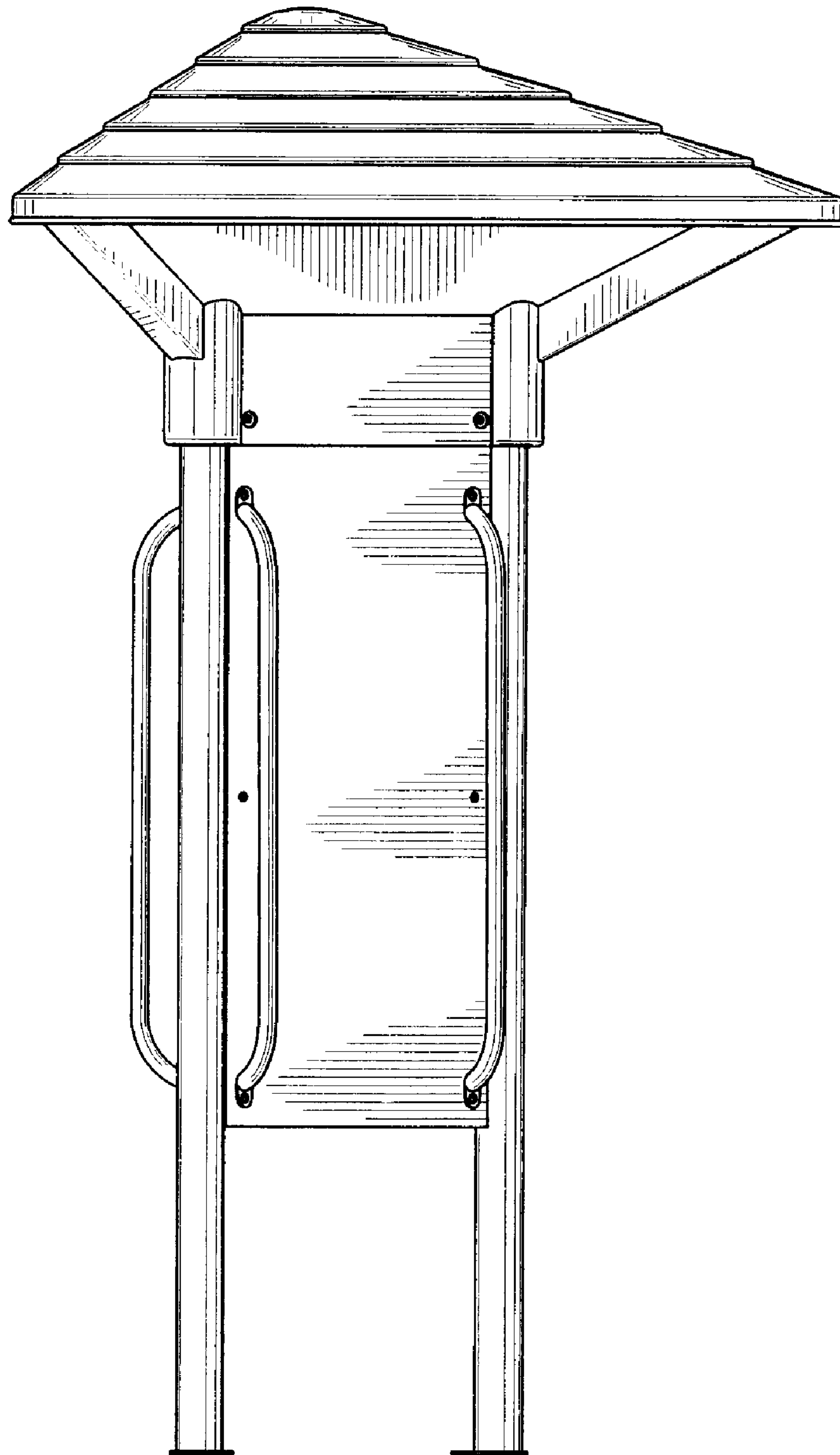


FIG. 3

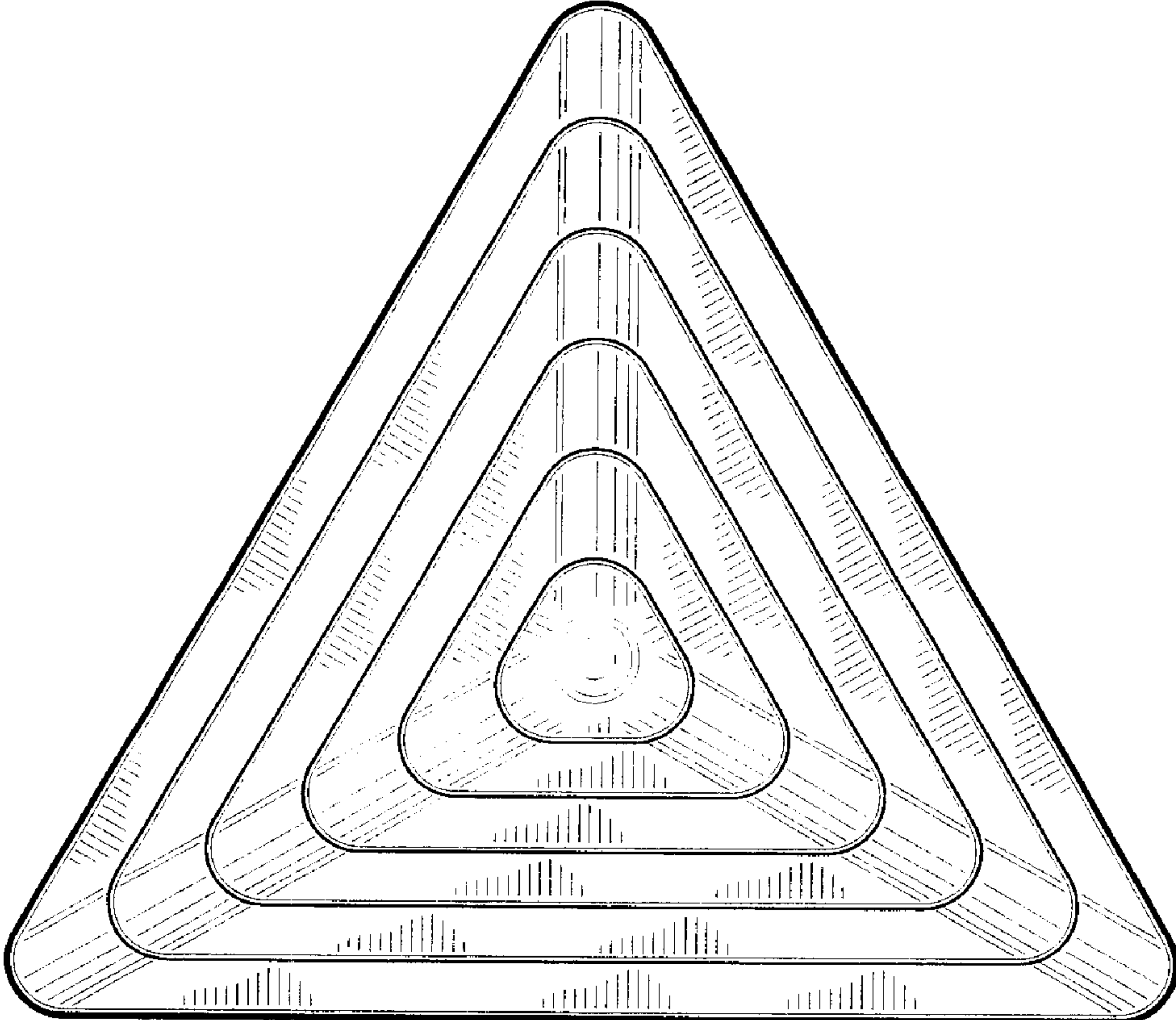


FIG. 4

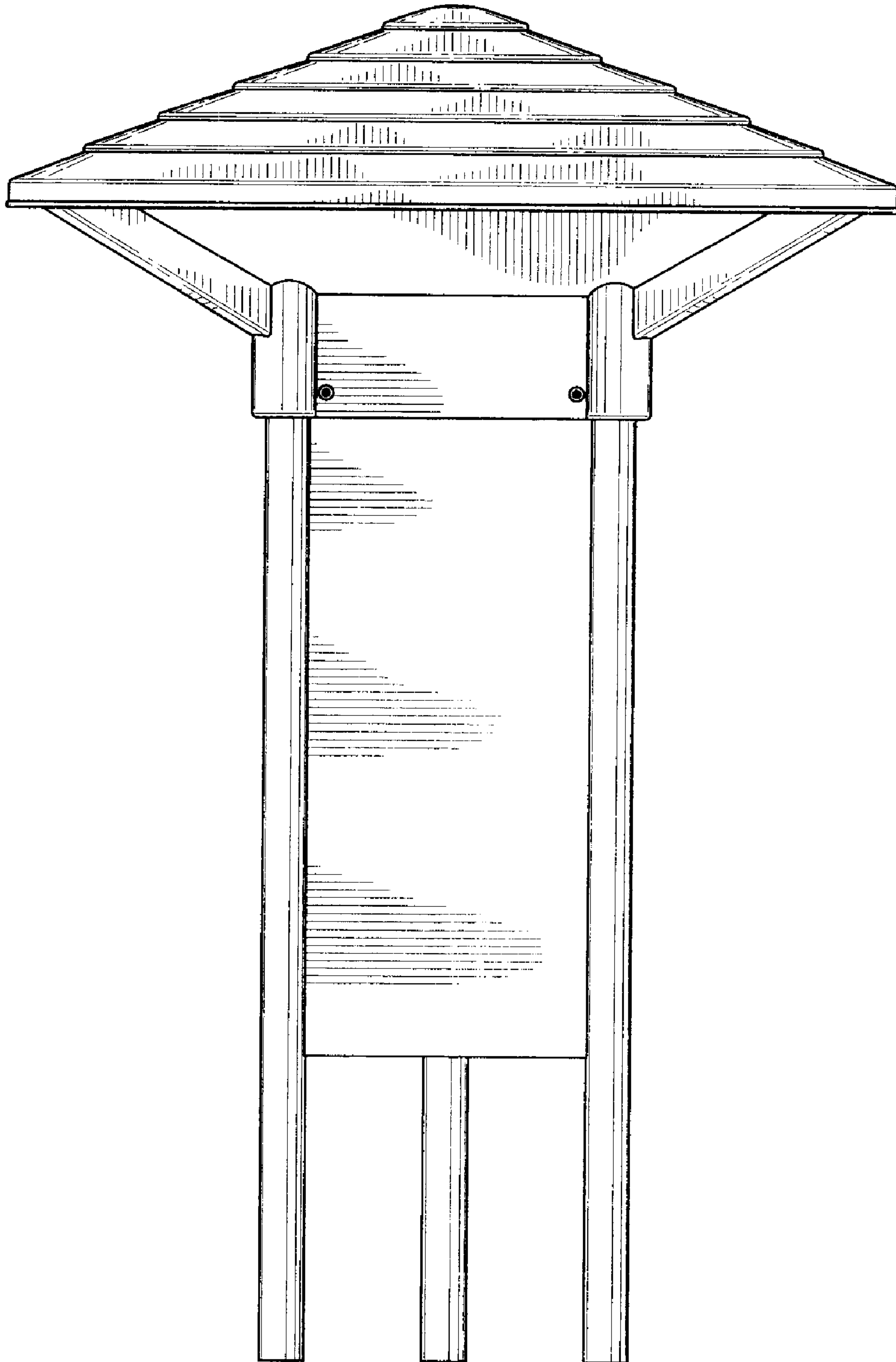


FIG. 5

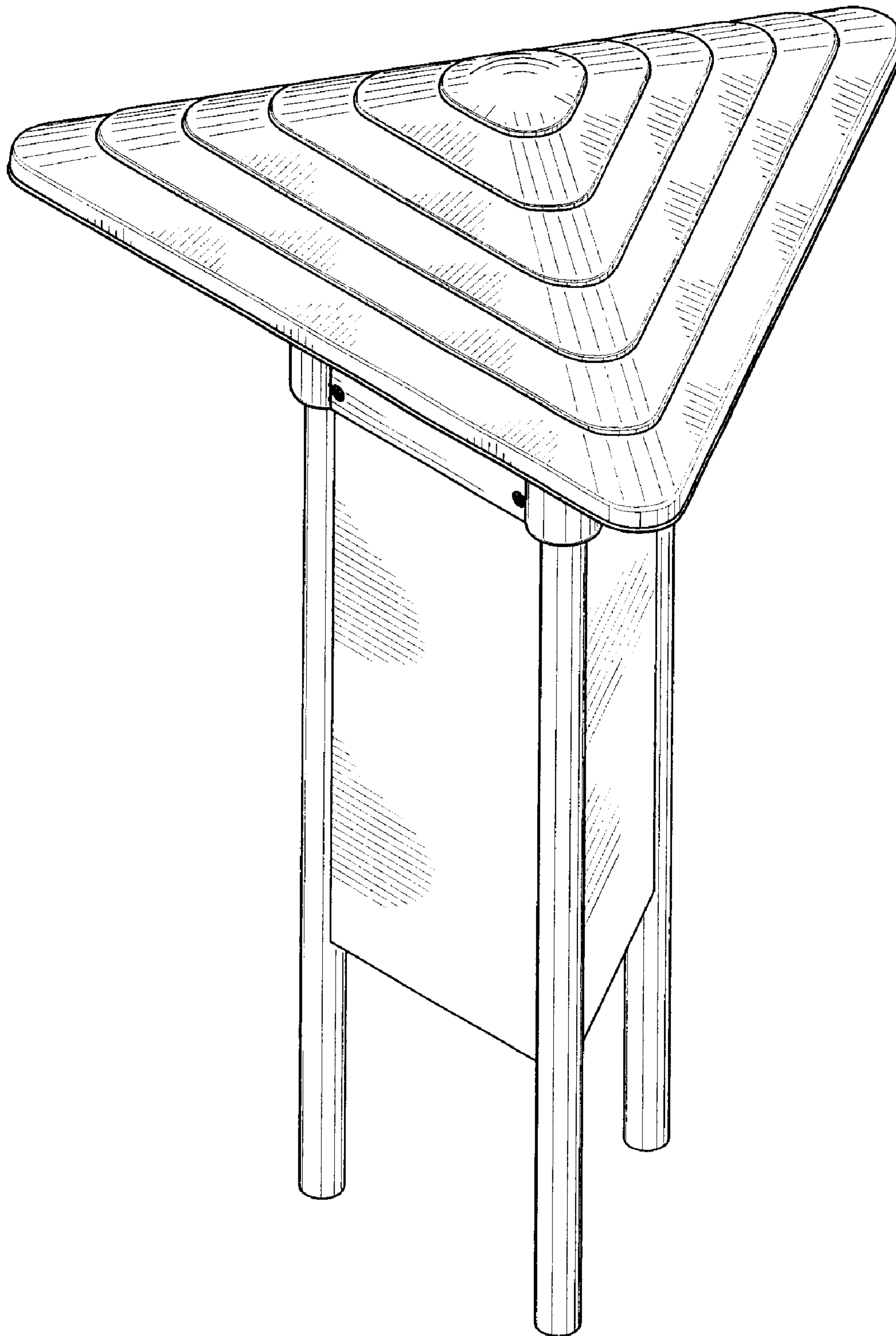


FIG. 6

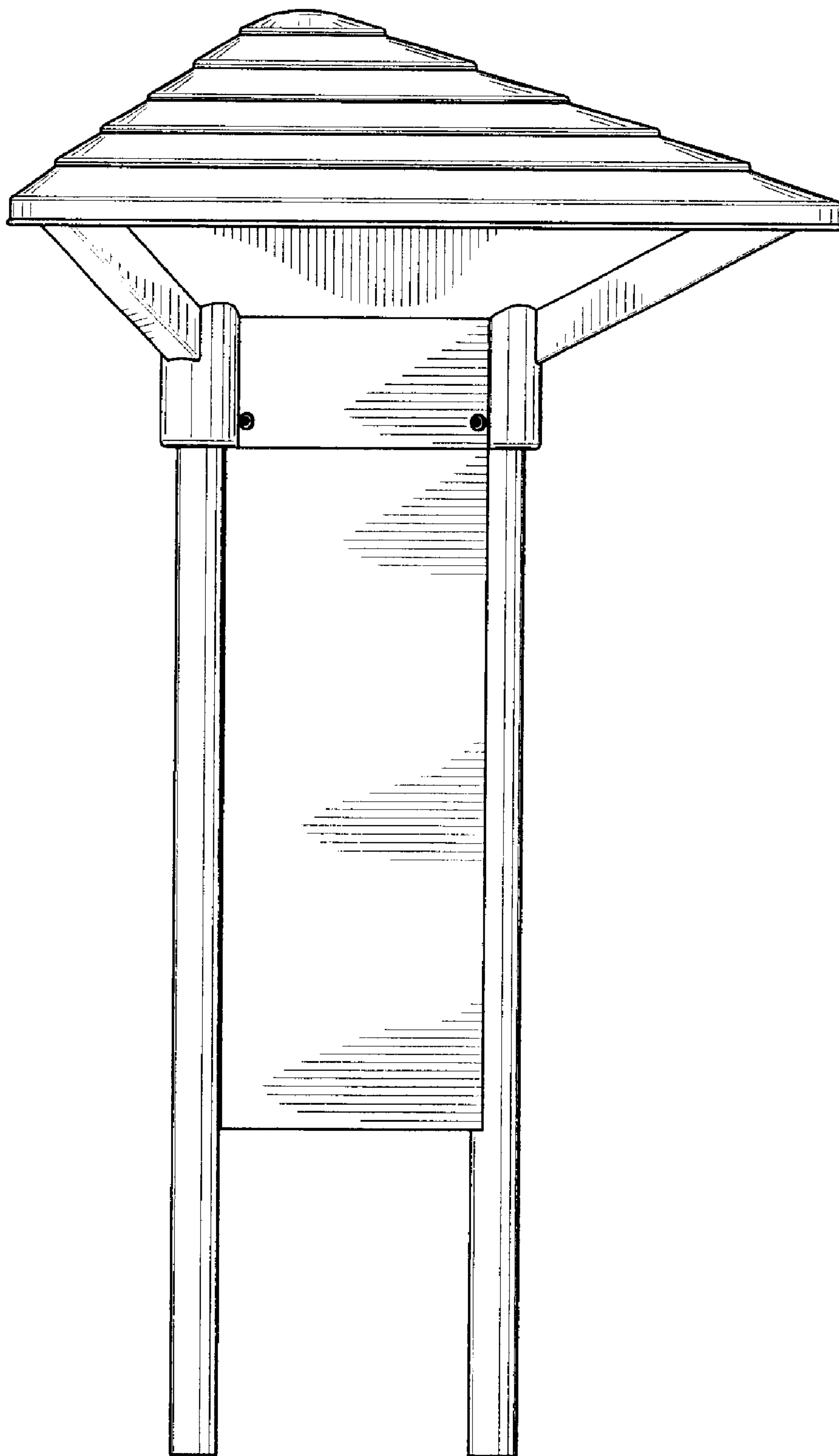


FIG. 7

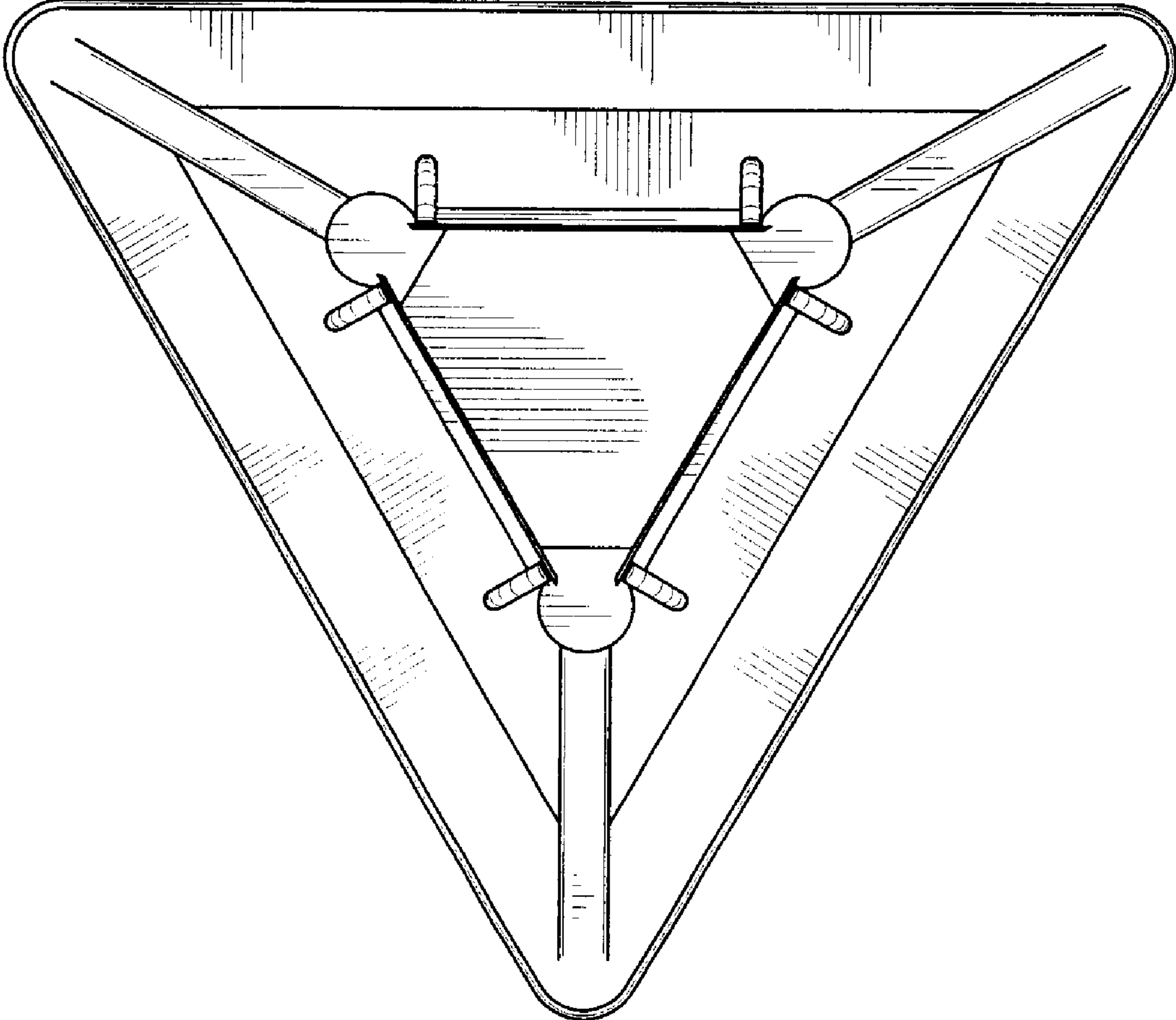


FIG. 8

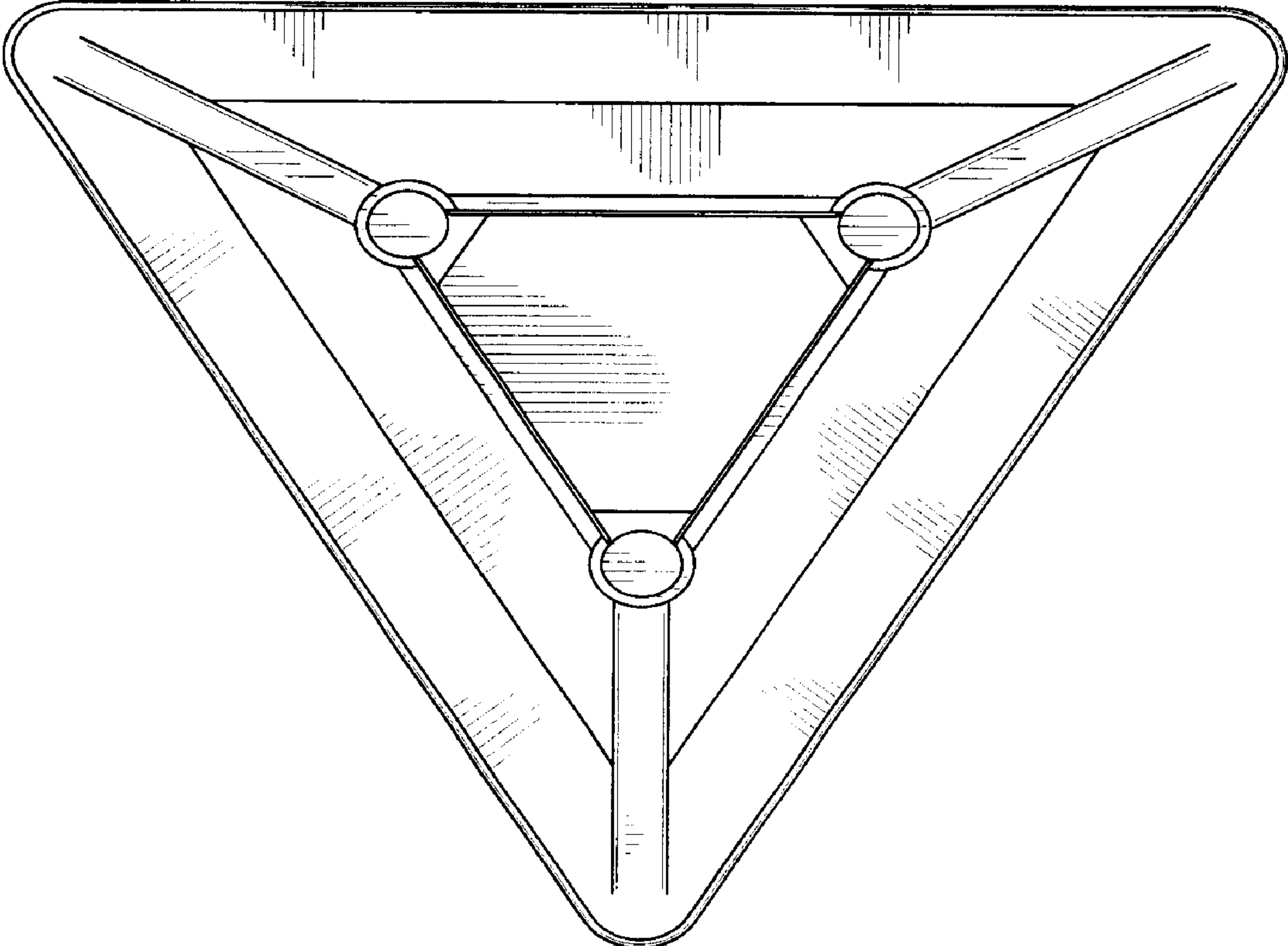


FIG. 9