



US00D515148S

(12) **United States Design Patent**
Henriques

(10) **Patent No.:** **US D515,148 S**
(45) **Date of Patent:** **** Feb. 14, 2006**

(54) **BLOW TOY DEVICE**

(76) Inventor: **Clement G. Henriques**, 3865 Elliston Rd., Memphis, TN (US) 38111

(**) Term: **14 Years**

(21) Appl. No.: **29/204,120**

(22) Filed: **Apr. 26, 2004**

(51) **LOC (8) Cl.** **21-01**

(52) **U.S. Cl.** **D21/567**

(58) **Field of Classification Search** D21/567,
D21/570, 572, 573, 575; D22/100, 103, 104,
D22/108, 109, 115; 124/56, 62, 64, 65, 70-74,
124/76, 77; D8/14.1

See application file for complete search history.

(56) **References Cited**

U.S. PATENT DOCUMENTS

1,832,330 A	*	11/1931	Stark	124/27
D140,087 S	*	1/1945	Rubin	D21/574
D145,805 S	*	10/1946	Hooper	D21/573
D147,893 S	*	11/1947	Crumb	D21/572
D186,675 S	*	11/1959	Lohans	D21/574
4,081,112 A	*	3/1978	Chang	222/391
D282,764 S	*	2/1986	Megargee	D21/574

5,058,561 A		10/1991	Starr	124/65
D358,178 S	*	5/1995	O'Dell	D21/385
D378,338 S	*	3/1997	Acciville et al.	D8/14.1
6,454,136 B1	*	9/2002	Evans	222/174
2002/0179076 A1		12/2002	Nagasue	239/398
2003/0006313 A1		1/2003	Jou	124/62

* cited by examiner

Primary Examiner—Holly Baynham

Assistant Examiner—Cynthia M. Chin

(74) *Attorney, Agent, or Firm*—Richard C. Litman

(57) **CLAIM**

The ornamental design for a blow toy device, as shown and described.

DESCRIPTION

FIG. 1 is an environmental perspective view of a blow toy device showing my new design;

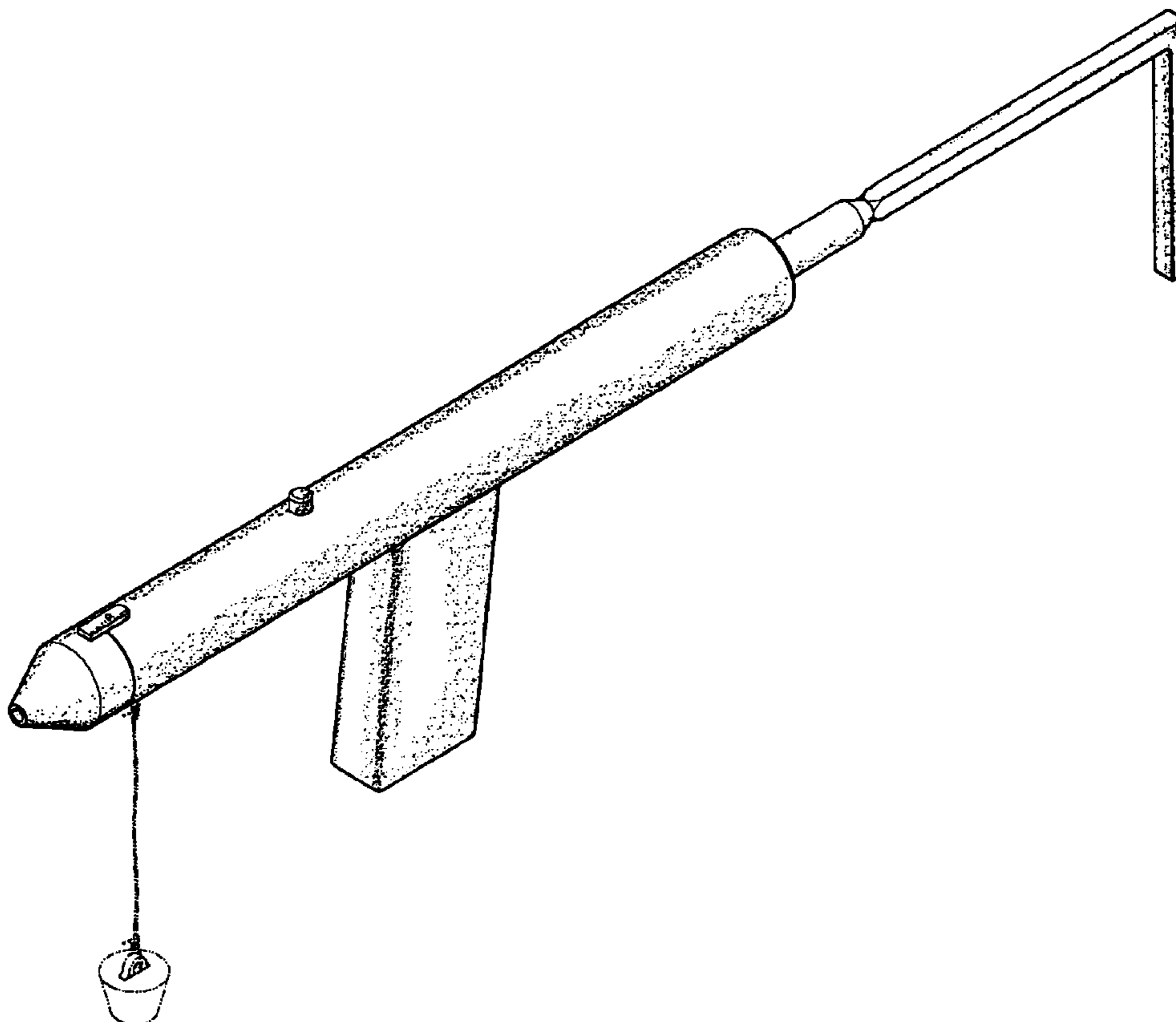
FIG. 2 is a right side elevational view with the left side being a mirror image view thereof;

FIG. 3 is a front elevational view thereof; and,

FIG. 4 is a rear elevational view thereof.

The broken line showing of the plug and the tether in FIG. 1 is for illustrative purposes only and forms no part of the claimed design.

1 Claim, 3 Drawing Sheets



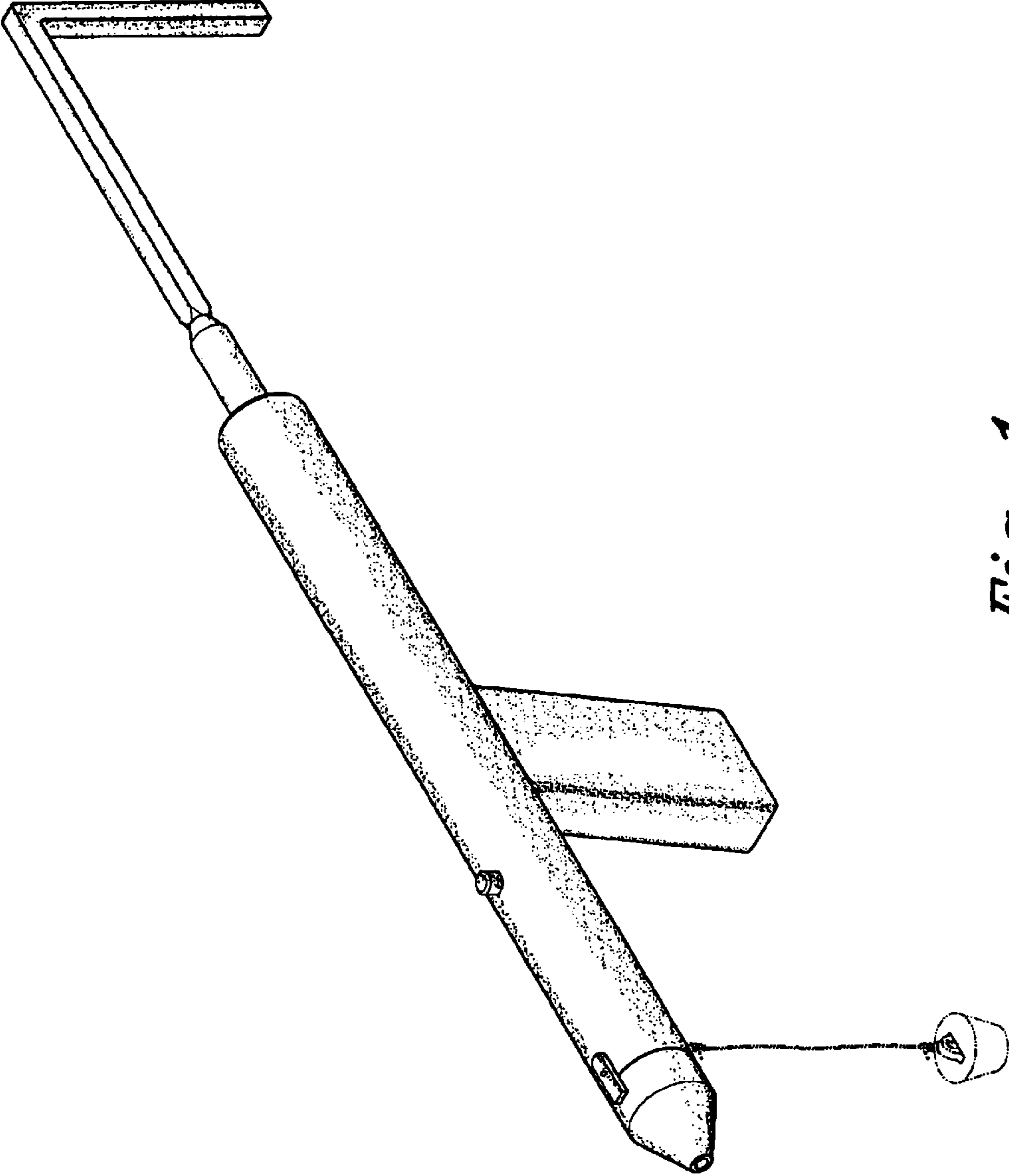


Fig. 1

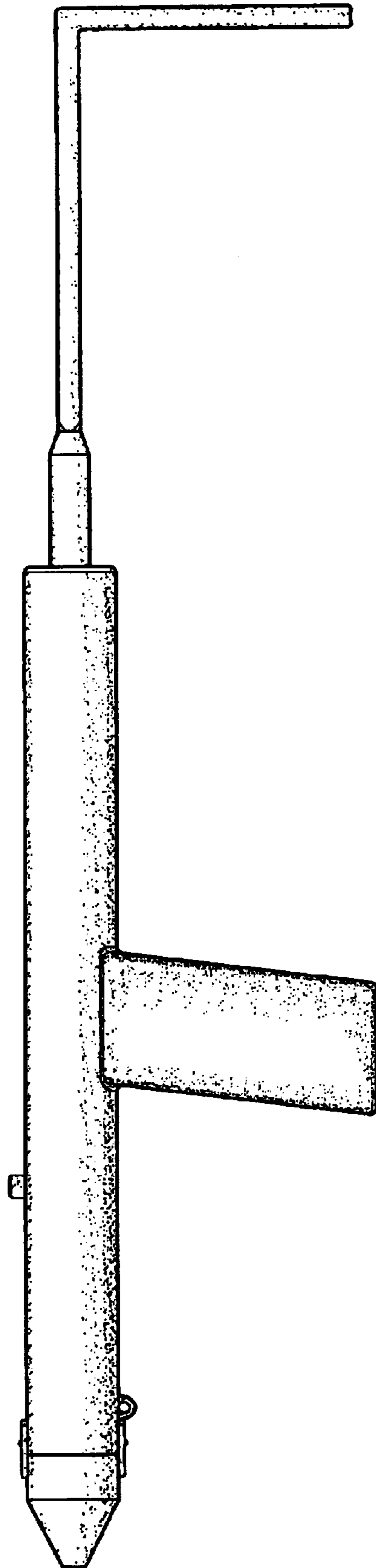


Fig. 2

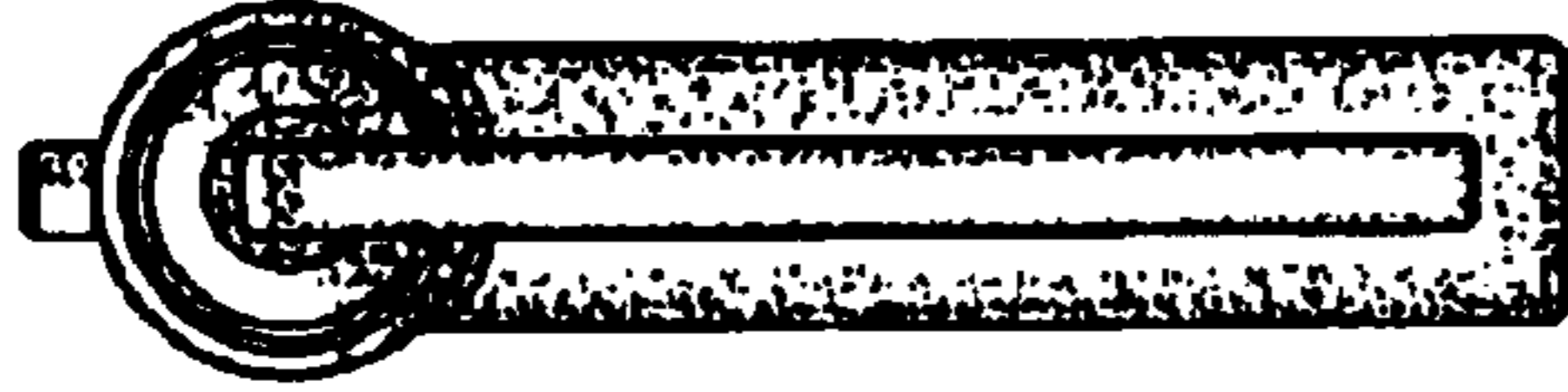


Fig. 3

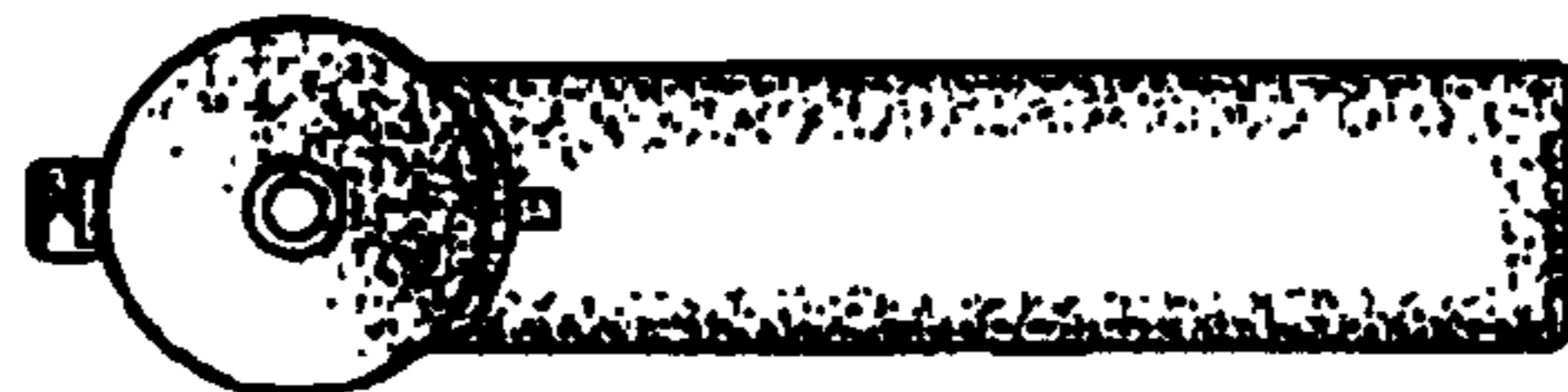


Fig. 4