



US00D515145S

(12) **United States Design Patent** (10) **Patent No.:** **US D515,145 S**  
**Martin** (45) **Date of Patent:** **\*\* Feb. 14, 2006**

(54) **PLURALITY OF COLUMN MOUNTED  
PLAYER TRACKING DISPLAYS**

(75) Inventor: **Kim Martin**, Las Vegas, NV (US)

(73) Assignee: **IGT**, Reno, NV (US)

(\*\*) Term: **14 Years**

(21) Appl. No.: **29/200,437**

(22) Filed: **Feb. 27, 2004**

(51) **LOC (8) Cl.** ..... **21-03**

(52) **U.S. Cl.** ..... **D21/369; D21/385**

(58) **Field of Classification Search** ..... D14/371-373,  
D14/381-384; D21/369-370, 385; 273/138.1;  
463/16-17, 25, 42, 46-47

See application file for complete search history.

(56) **References Cited**

**U.S. PATENT DOCUMENTS**

D278,069 S	*	3/1985	Wichinsky et al.	.....	D21/370
4,527,798 A	*	7/1985	Siekierski et al.	.....	463/17
4,856,787 A		8/1989	Itkis		
D306,463 S	*	3/1990	Chiba	.....	D21/385
D314,187 S	*	1/1991	Richards et al.	.....	D14/381
D340,049 S	*	10/1993	Liljenwall et al.	.....	D14/371
D346,830 S	*	5/1994	Masujima et al.	.....	D20/41
5,771,615 A	*	6/1998	Welldon et al.	.....	40/406
5,951,397 A		9/1999	Dickenson		
D416,054 S	*	11/1999	McGahn et al.	.....	D21/370
6,015,347 A	*	1/2000	Maahs et al.	.....	463/25
D450,096 S	*	11/2001	Legras et al.	.....	D21/385
6,315,666 B1		11/2001	Mastera et al.		
6,688,984 B2	*	2/2004	Cole	.....	463/46
D488,839 S		4/2004	Bristol et al.		

**OTHER PUBLICATIONS**

U.S. Appl. No. 29/197,842, filed Jan. 20, 2004, Jeffery R. Jordon, et al.  
U.S. Appl. No. 29/198,015, filed Jan. 23, 2004, Scott Boyd and Kim Martin.

U.S. Appl. No. 29/198,486, filed Jan. 29, 2004, Mike Bristol and Scott Boyd.

U.S. Appl. No. 29/199,020, filed Jan. 29, 2004, Mike Bristol and Scott Boyd.

U.S. Appl. No. 29/198,519, filed Jan. 29, 2004, Mike Bristol and Scott Boyd.

\* cited by examiner

*Primary Examiner*—Sandra L. Morris

(74) *Attorney, Agent, or Firm*—Marger Johnson & McCollom, P.C.

(57) **CLAIM**

An ornamental design for the plurality of column mounted player tracking displays, as shown and described.

**DESCRIPTION**

FIG. 1 is an isometric view of my plurality of column mounted player tracking displays showing my new design, showing indeterminate length. A pair of speaker grills, player-card slot, and portions of a column are shown in dashed lines, and are not part of the claimed design;

FIG. 2 is a front elevational view of the design of FIG. 1;

FIG. 3 is top plan view of the design of FIG. 1;

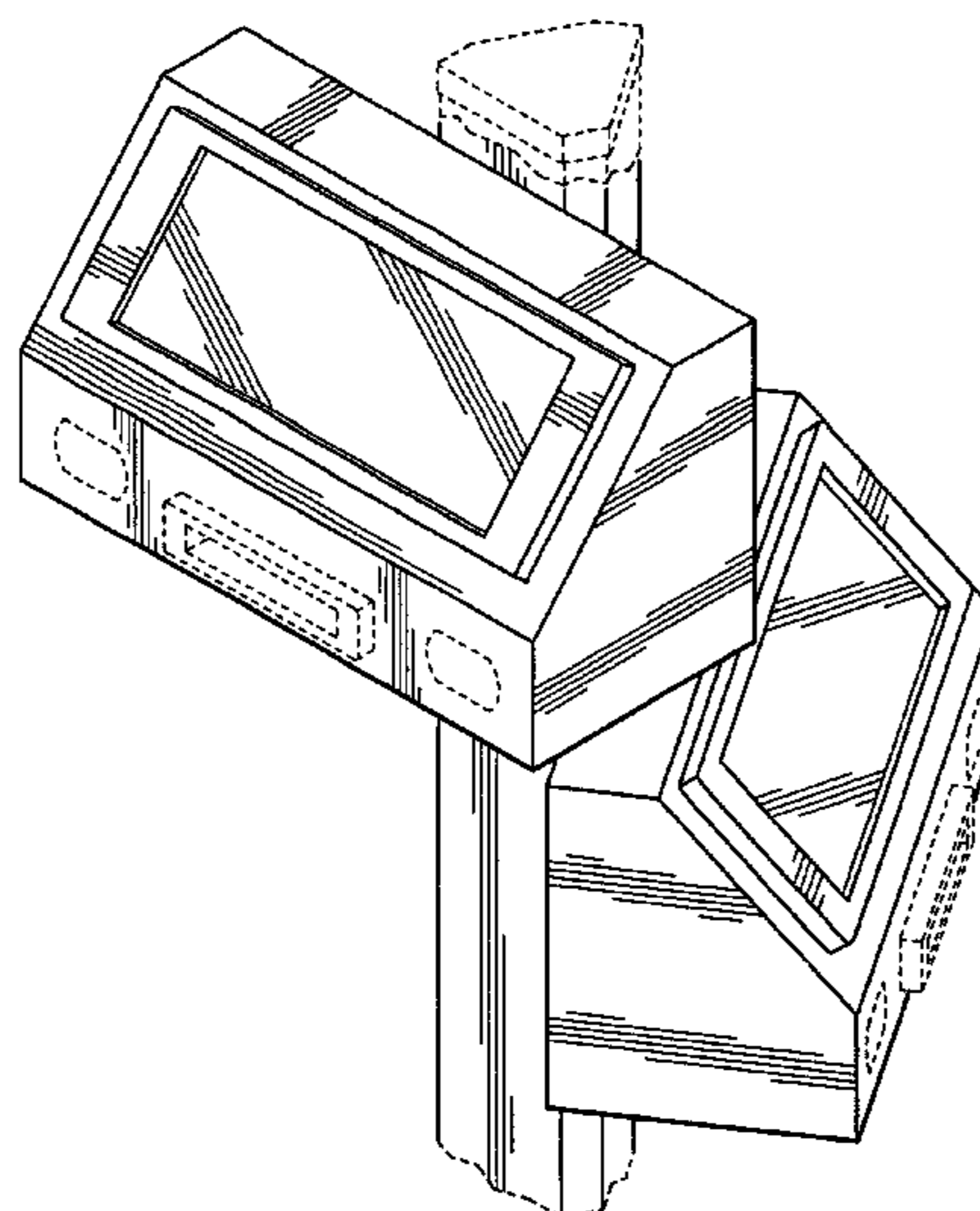
FIG. 4 is a left side elevational view of the design of FIG. 1;

FIG. 5 is a right side elevational view of the design of FIG. 1;

FIG. 6 is a rear elevational view of the design of FIG. 1; and,

FIG. 7 is a bottom plan view of the design of FIG. 1.

**1 Claim, 7 Drawing Sheets**



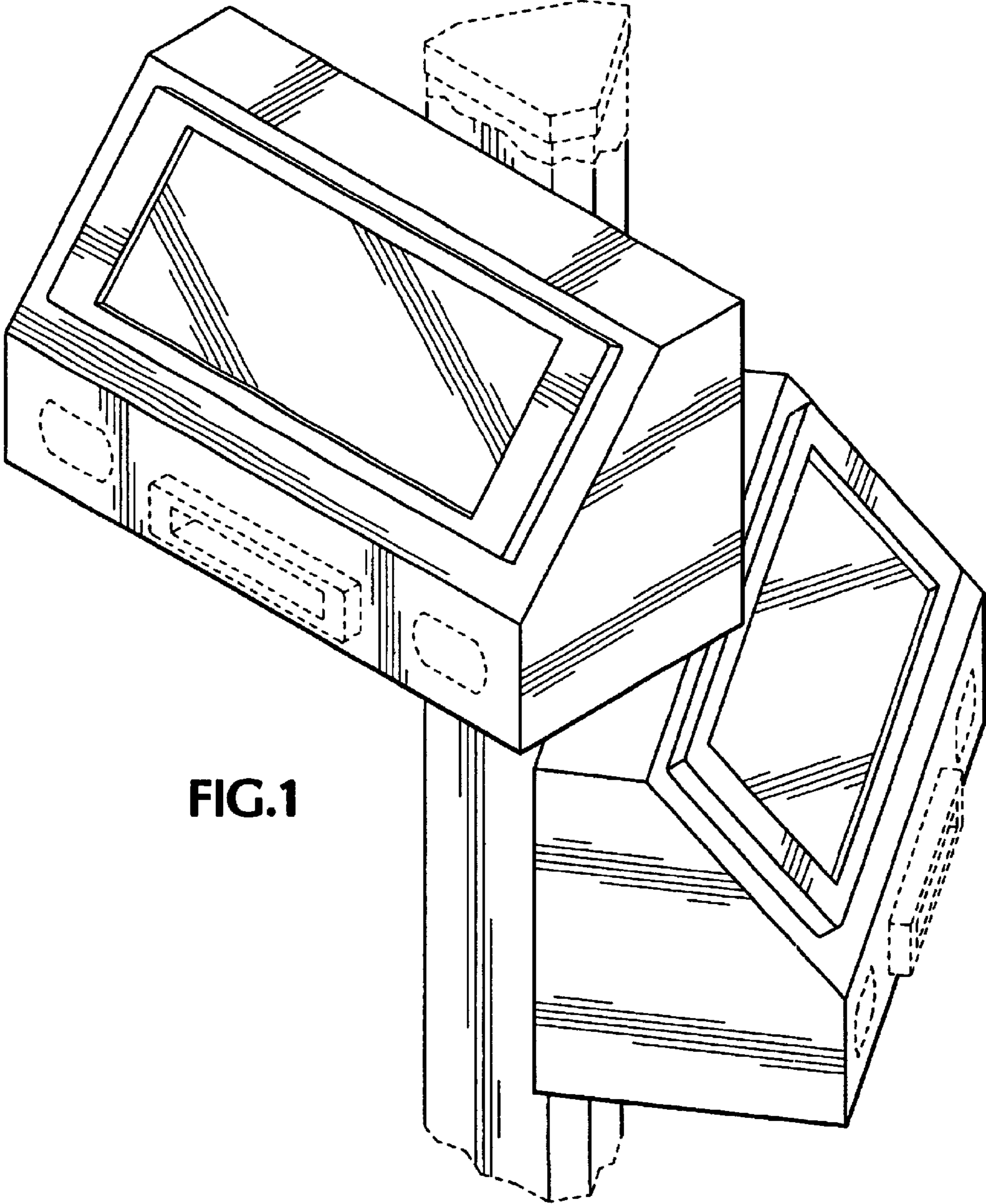
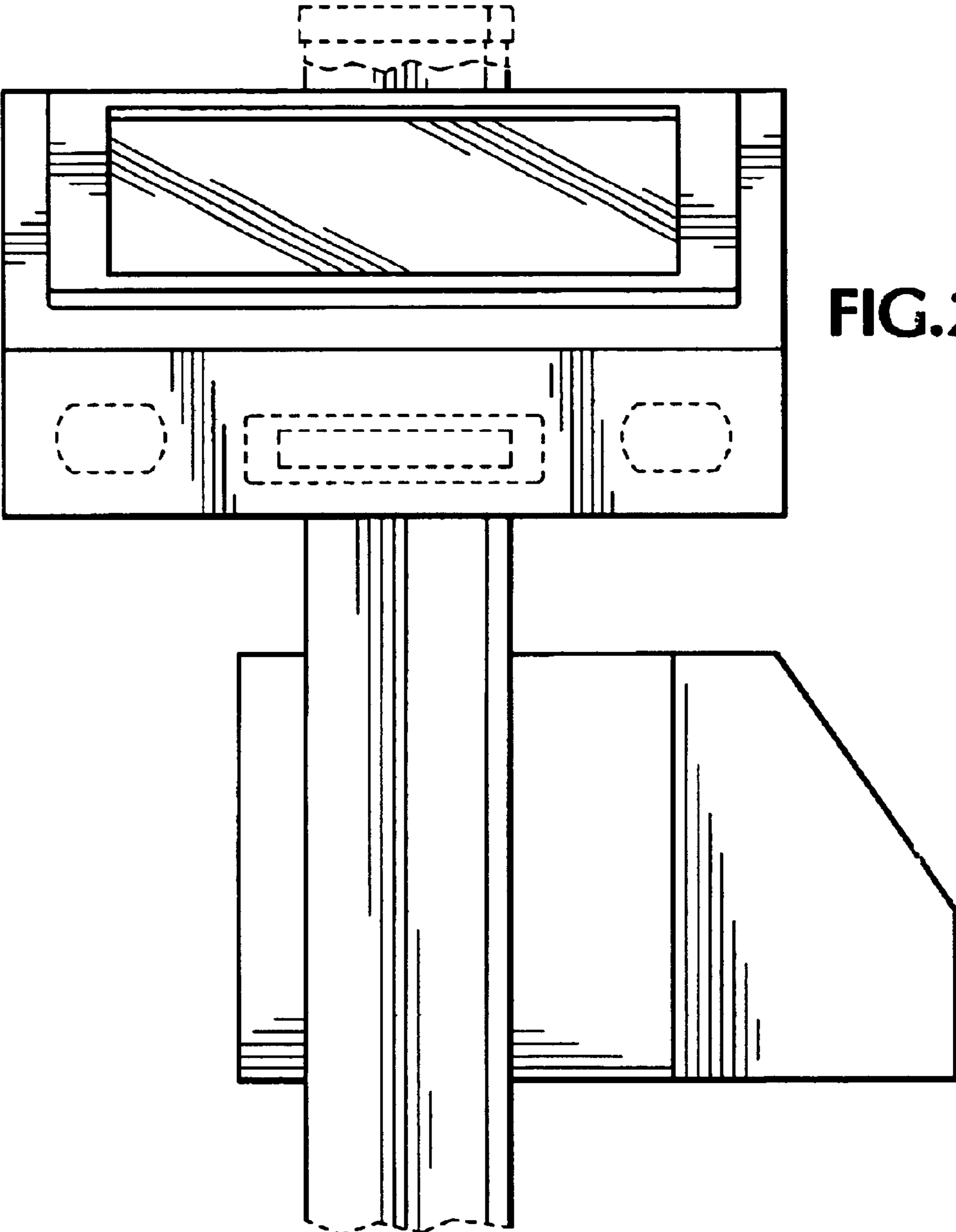


FIG.1



**FIG. 2**

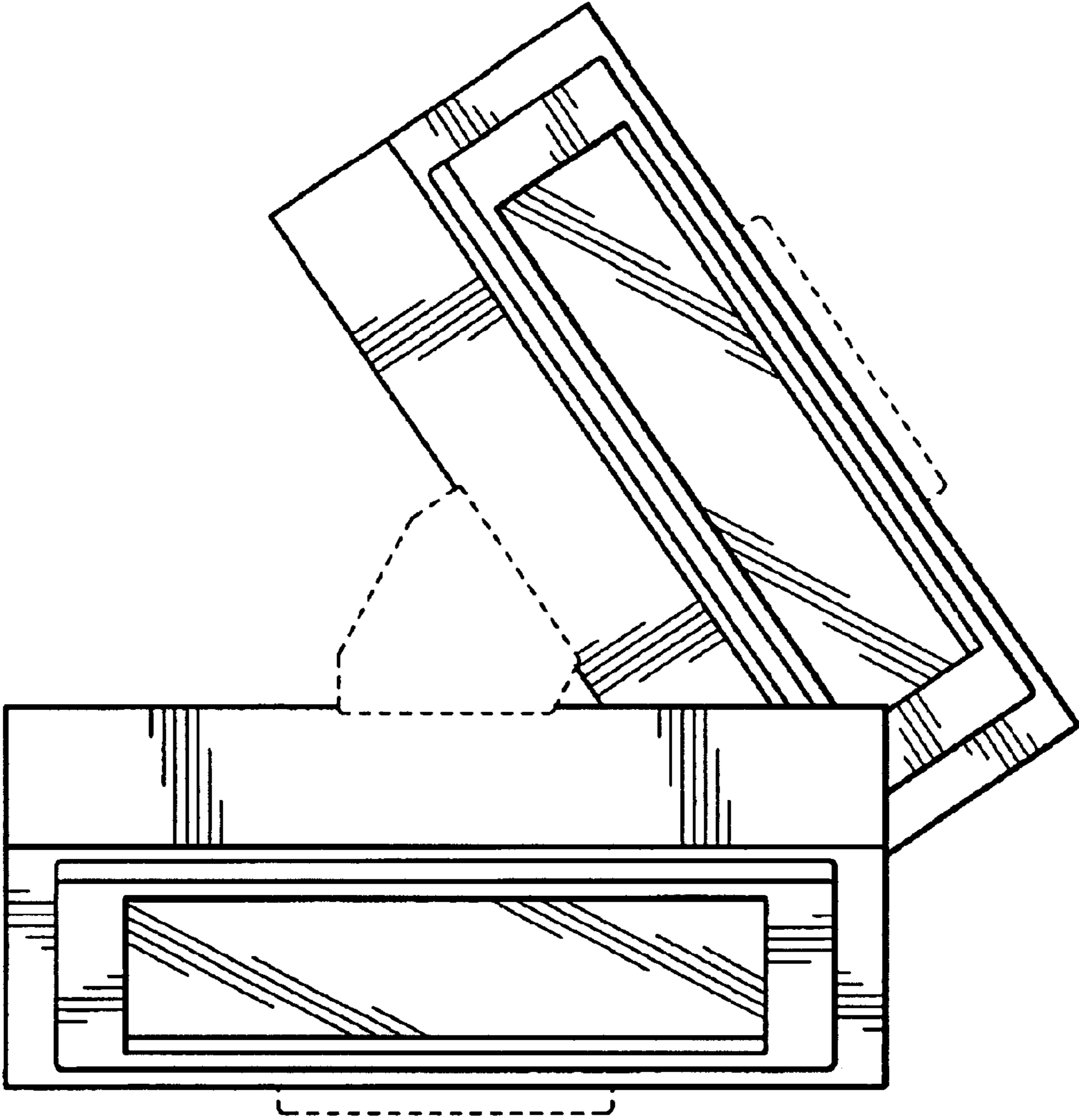
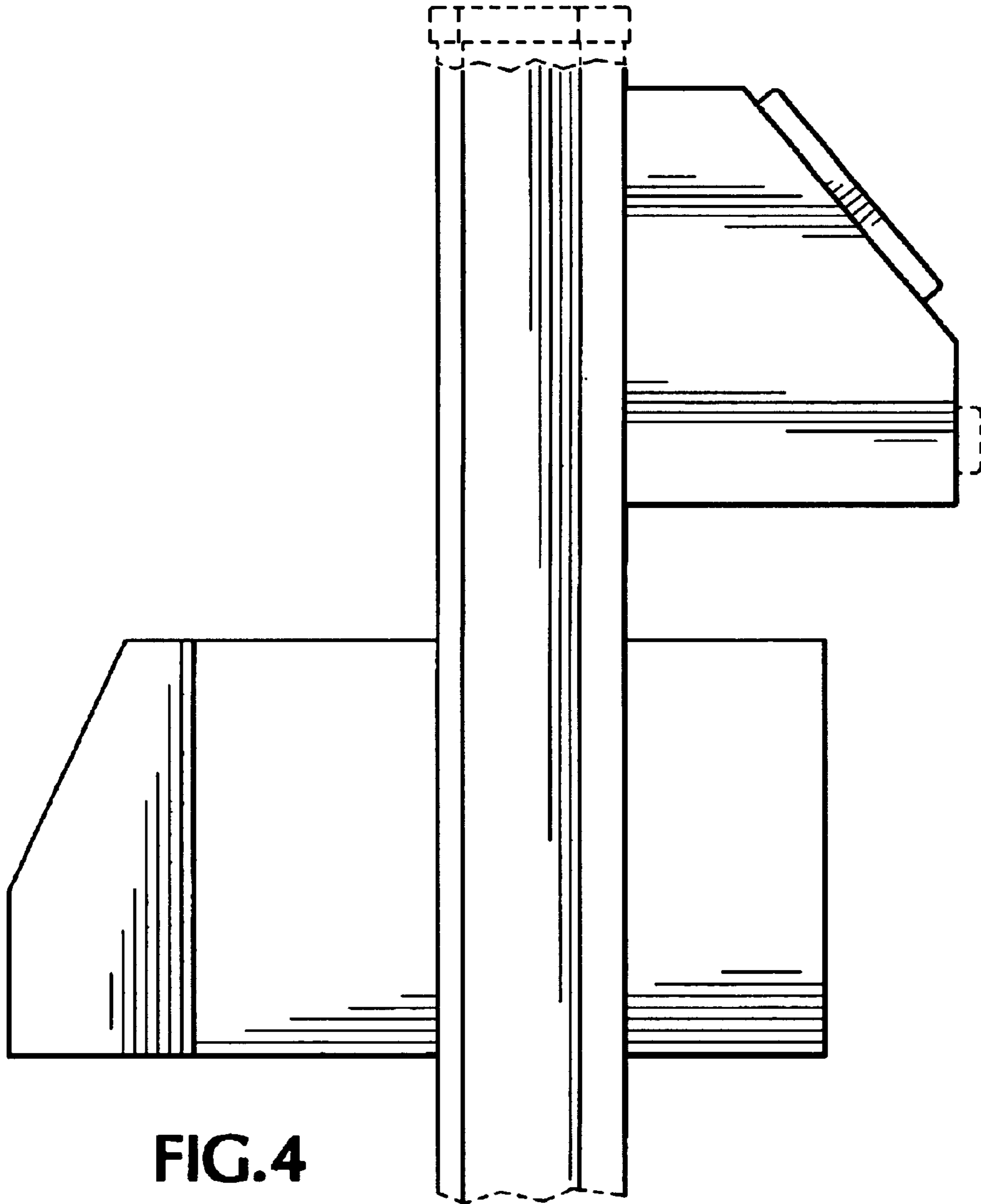
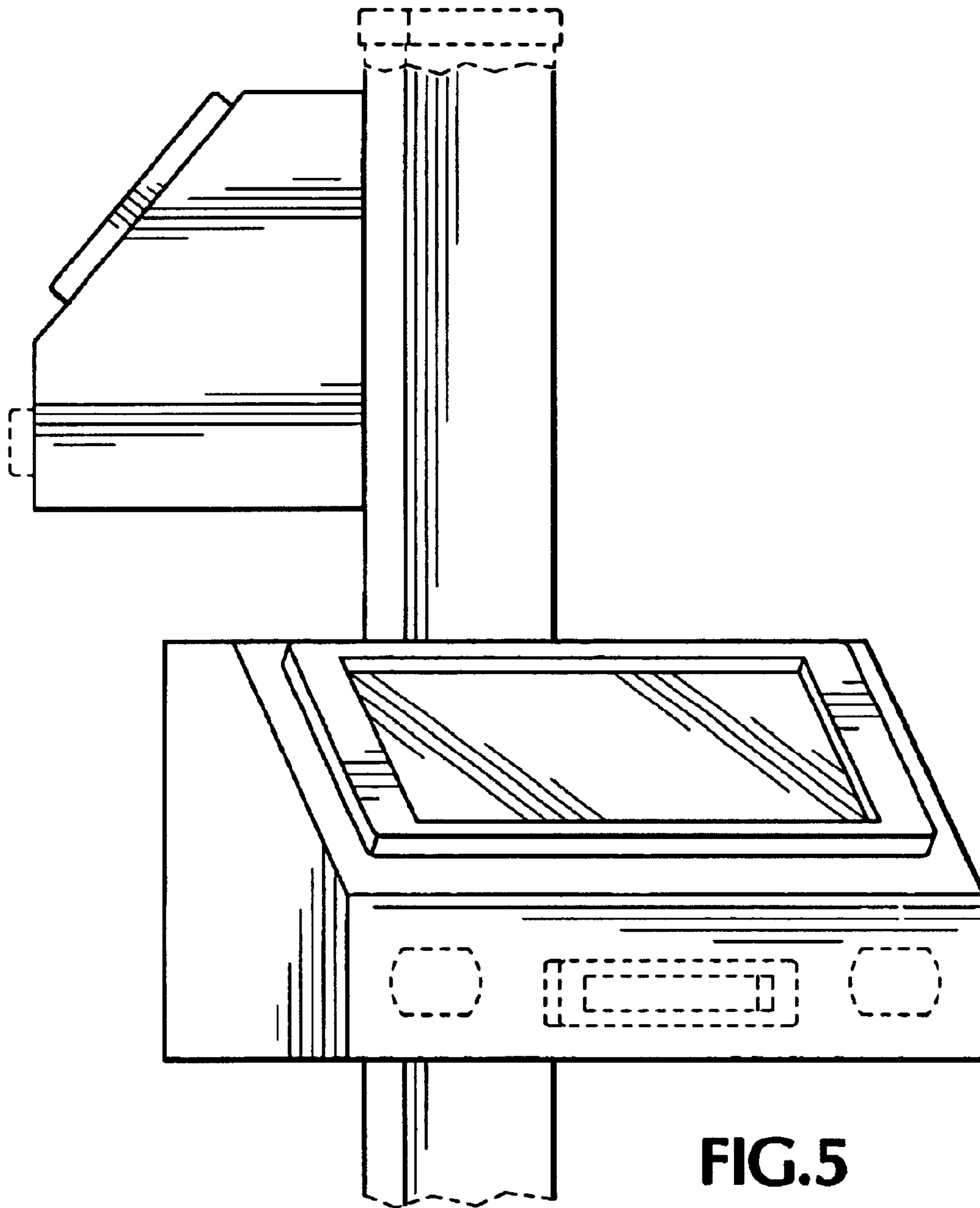


FIG.3





**FIG.5**

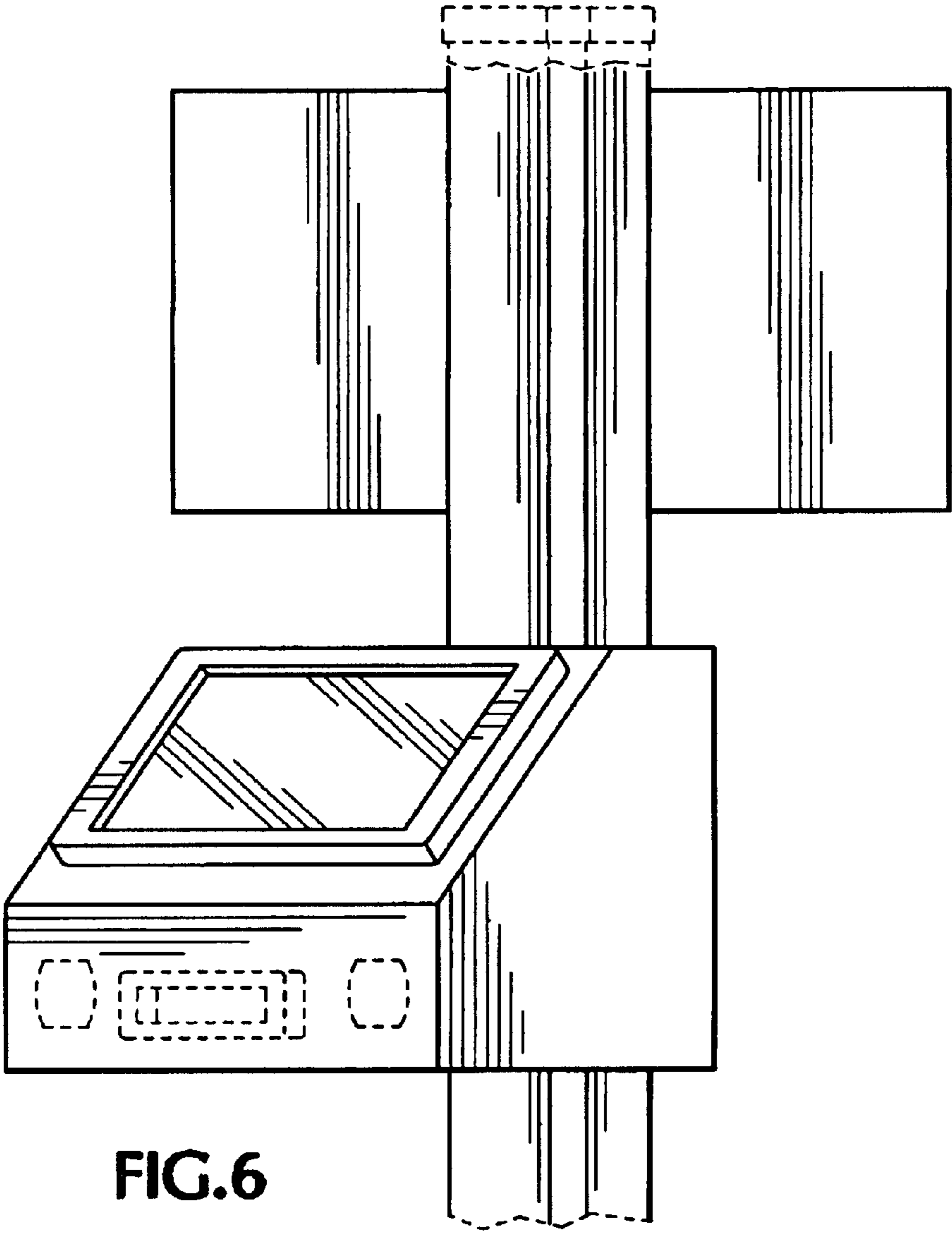
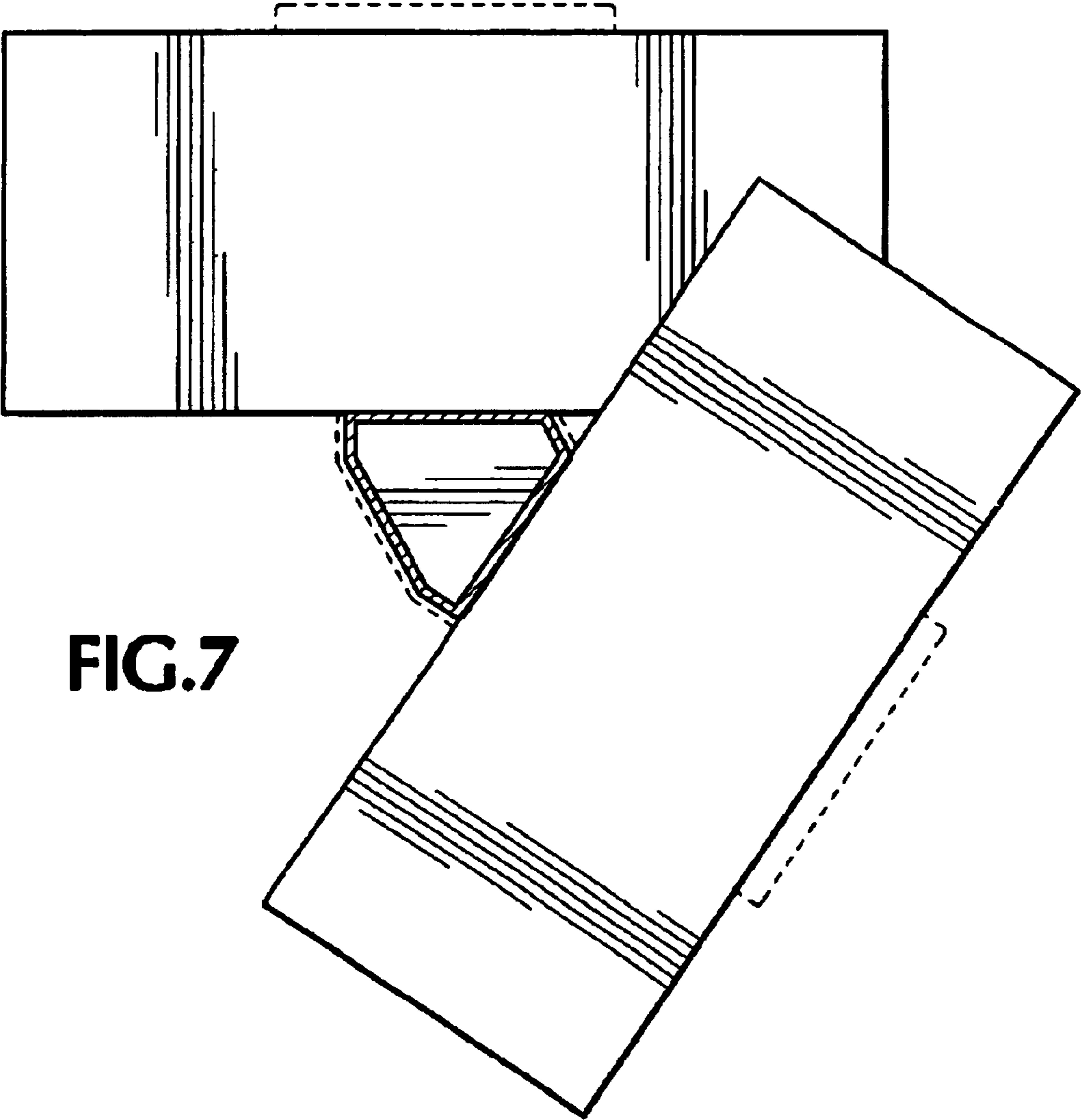


FIG.6



**FIG.7**