



US00D515144S

(12) **United States Design Patent**
Boyd

(10) **Patent No.:** **US D515,144 S**
(45) **Date of Patent:** **** Feb. 14, 2006**

(54) **PLAYER TRACKING BARTOP DISPLAY**

(75) Inventor: **Scott A. Boyd**, Las Vegas, NV (US)

(73) Assignee: **IGT**, Reno, NV (US)

(**) Term: **14 Years**

(21) Appl. No.: **29/197,842**

(22) Filed: **Jan. 20, 2004**

(51) **LOC (8) Cl.** **21-03**

(52) **U.S. Cl.** **D21/369; D21/385**

(58) **Field of Classification Search** **D14/371,**
D14/373; D21/369-370, 385; 273/138.1;
463/16-17, 25, 42, 46-47

See application file for complete search history.

(56) **References Cited**

U.S. PATENT DOCUMENTS

4,856,787 A	8/1989	Itkis	
5,951,397 A	9/1999	Dickenson	
D421,277 S	* 2/2000	McGahn et al. D21/369
6,315,666 B1	11/2001	Mastera et al.	
D460,496 S	* 7/2002	Cole D21/369
6,688,984 B2	* 2/2004	Cole 463/46
D488,839 S	4/2004	Bristol et al.	
D496,407 S	* 9/2004	Gadda et al. D21/370

* cited by examiner

Primary Examiner—Sandra L. Morris

(74) *Attorney, Agent, or Firm*—Marger, Johnson & McCollom, P.C.

(57) **CLAIM**

An ornamental design for the player tracking bartop display, as shown and described.

DESCRIPTION

FIG. 1 is an isometric view of a first embodiment of my player tracking bartop display showing my new design. The electronic gaming device, pair of speaker grills, and player-card slot are all shown in dashed lines, and are not part of the claimed design;

FIG. 2 is a top plan view of the view of FIG. 1;

FIG. 3 is an enlarged front elevational view of the view of FIG. 1;

FIGS. 4 and 5 are side view elevations of the view of FIG. 1;

FIG. 6 is an enlarged back elevational view of the view of FIG. 1;

FIG. 7 is an isometric view of a second embodiment of my player tracking bartop display showing another new design. The electronic gaming device, pair of speaker grills, and player-card slot are all shown in dashed lines, and are not part of the claimed design;

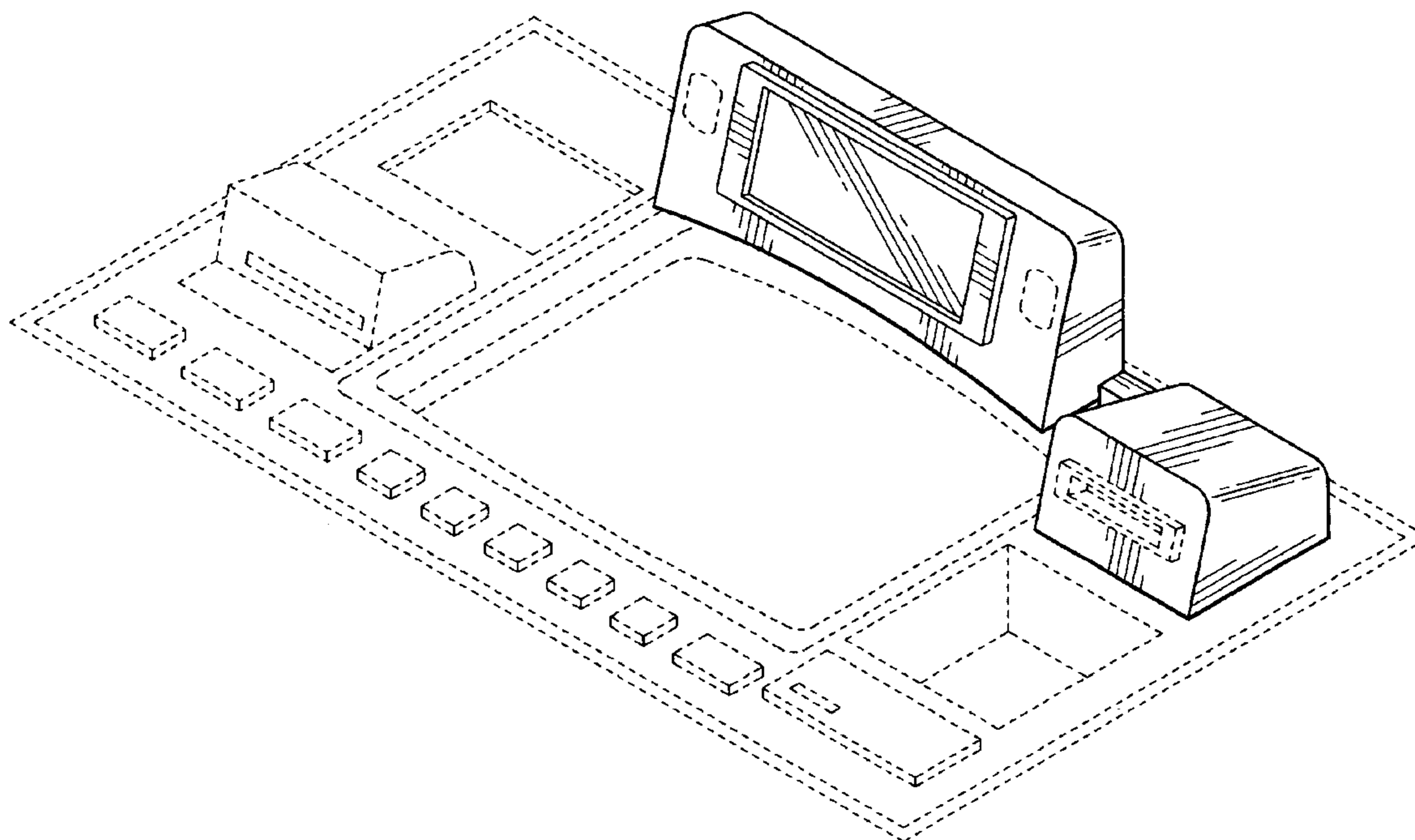
FIG. 8 is a top plan view of the view of FIG. 7;

FIG. 9 is an enlarged front elevational view of the view of FIG. 7;

FIGS. 10 and 11 are side view elevations of the view of FIG. 7; and,

FIG. 12 is an enlarged back elevational view of the view of FIG. 7.

1 Claim, 6 Drawing Sheets



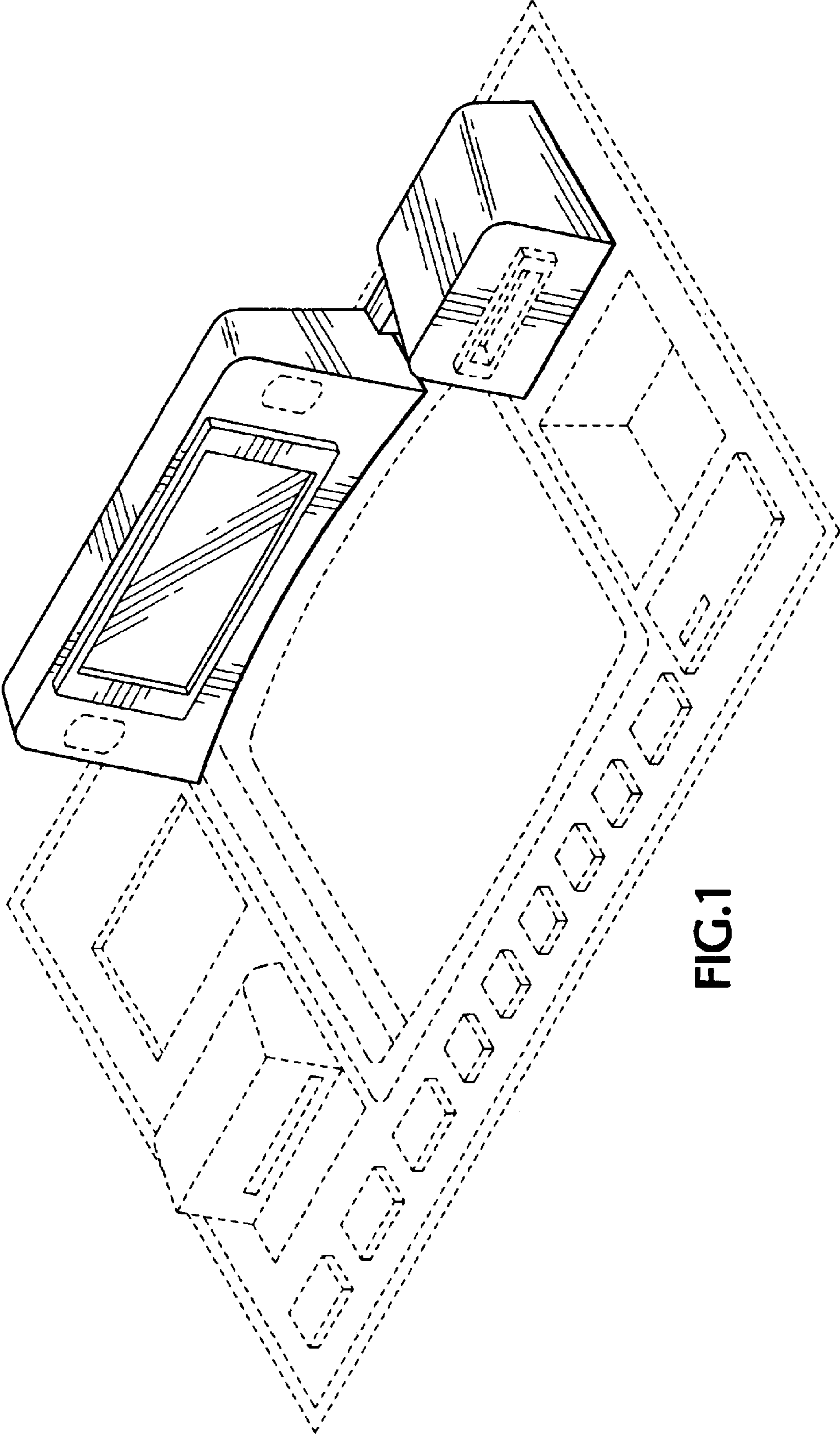


FIG.1

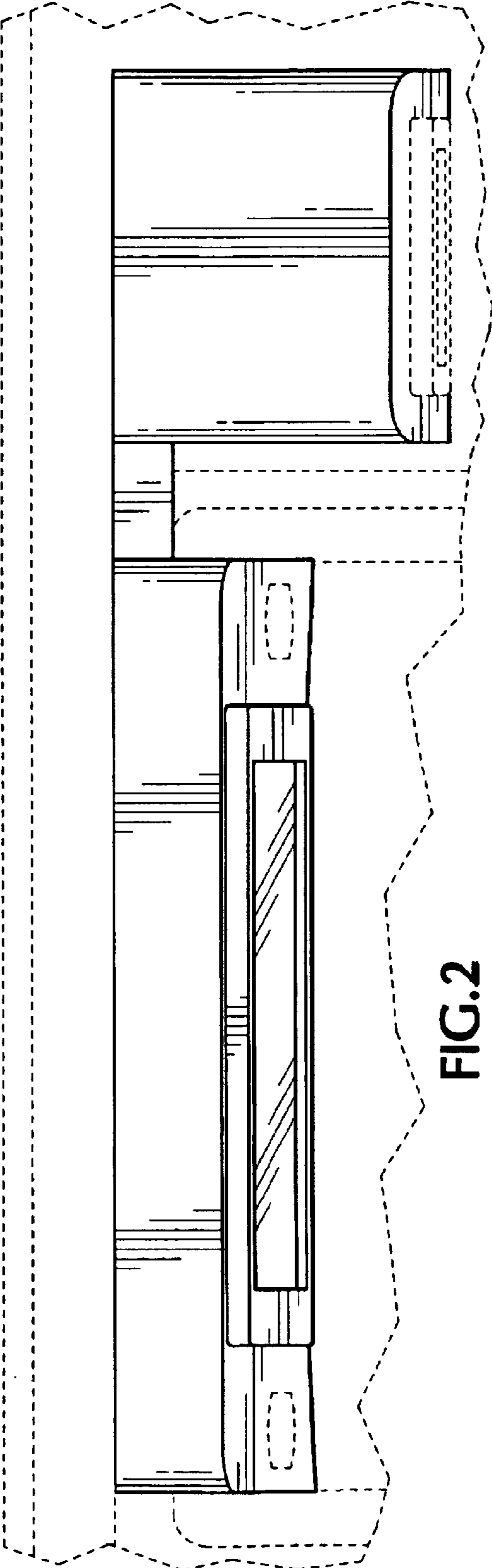


FIG. 2

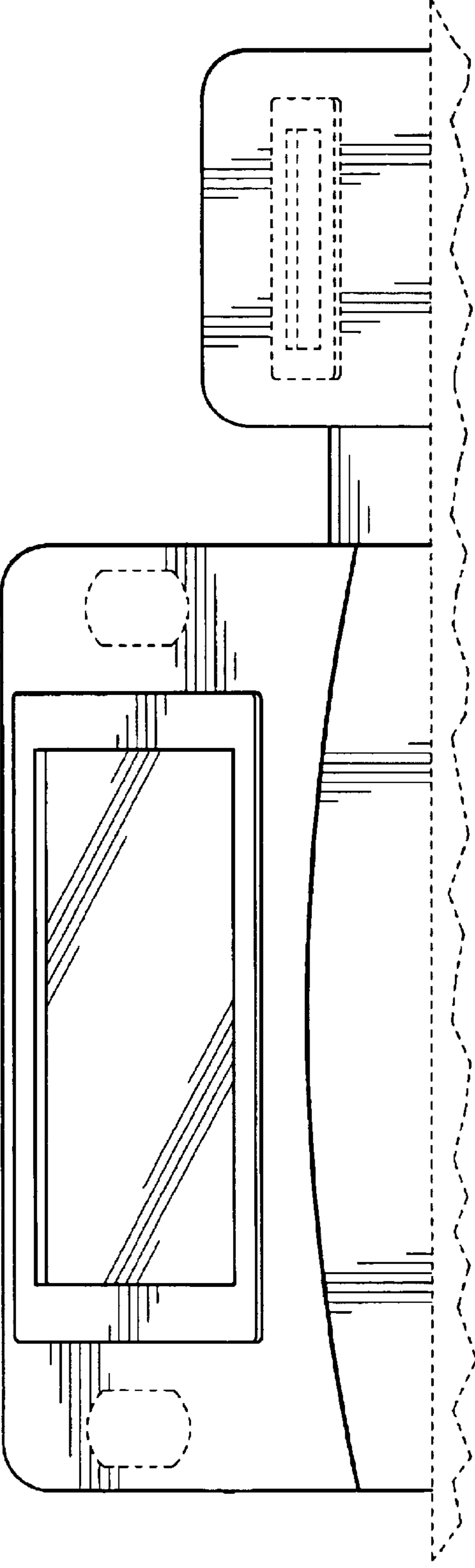


FIG. 3

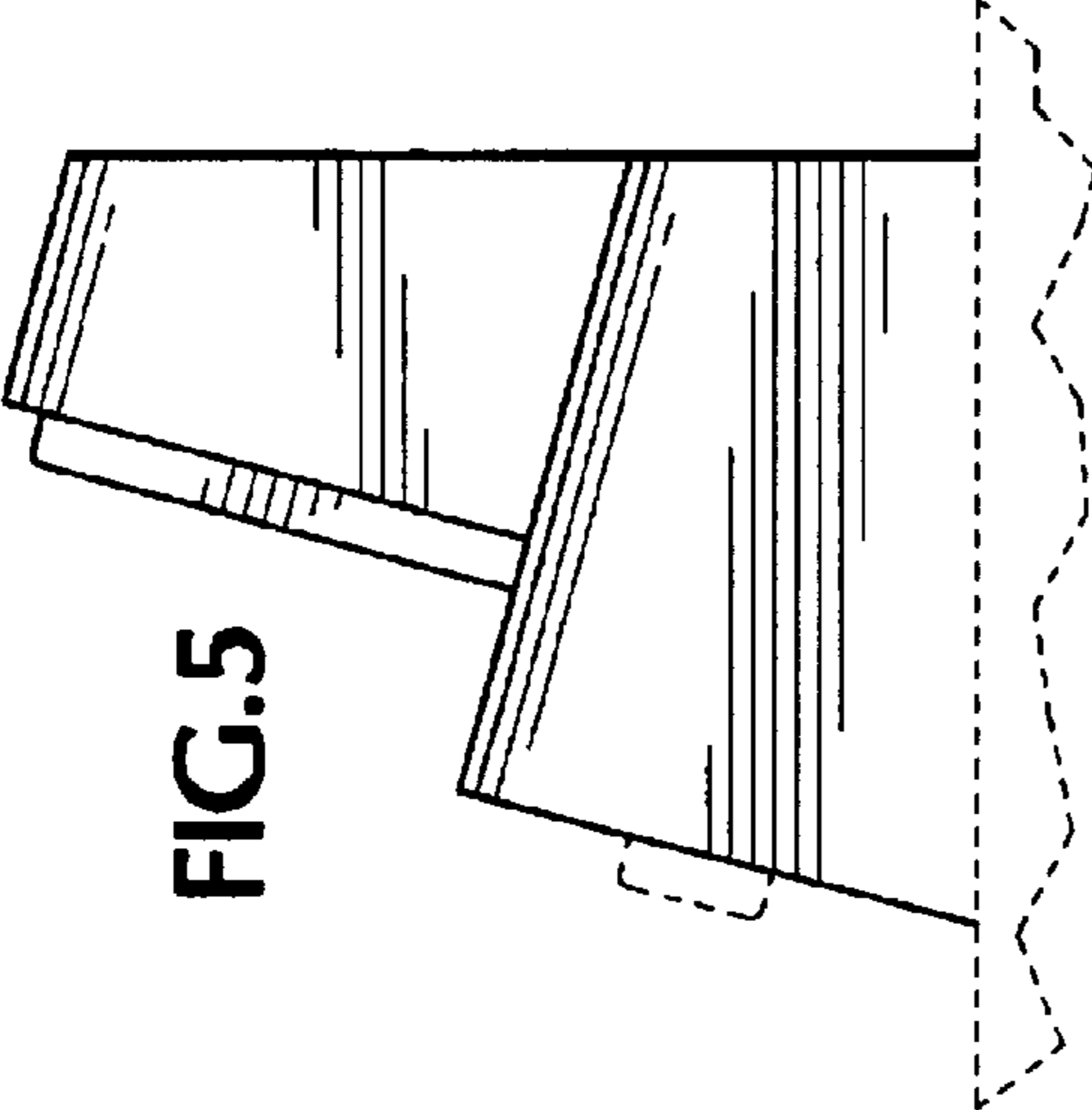


FIG. 5

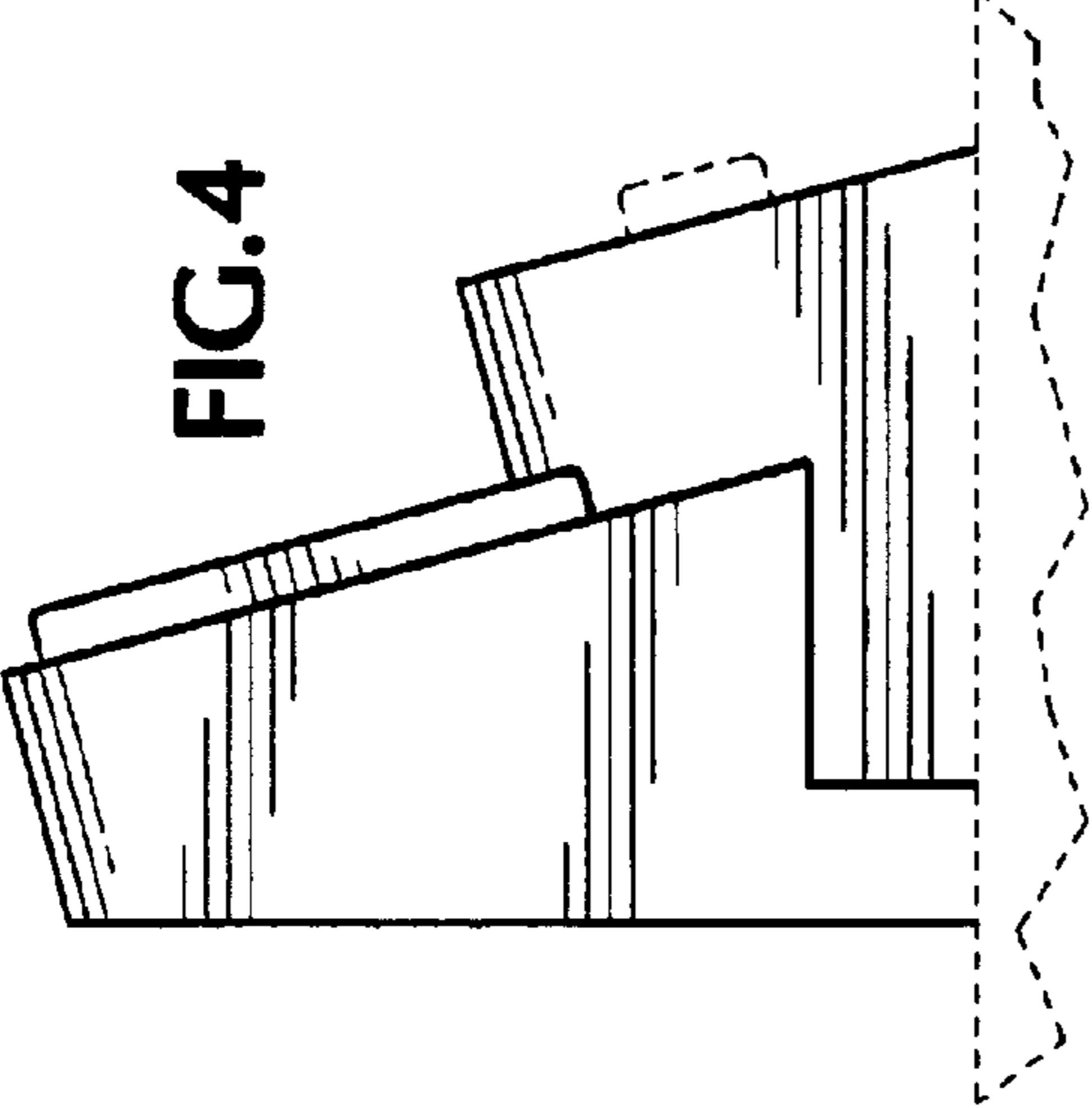


FIG. 4

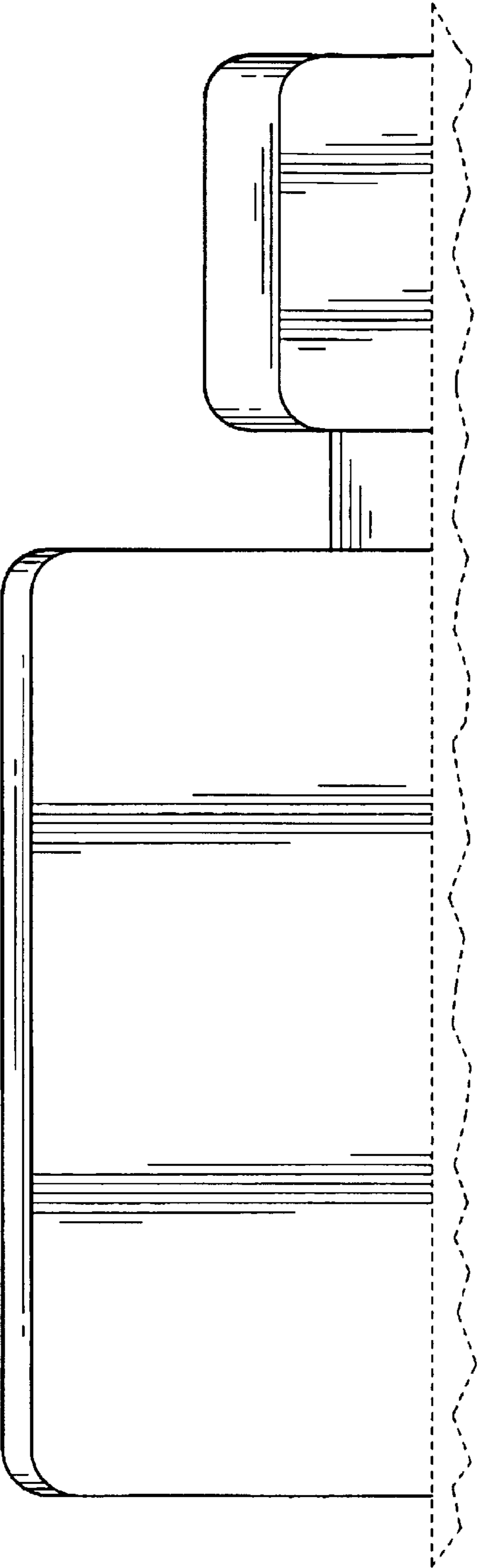


FIG. 6

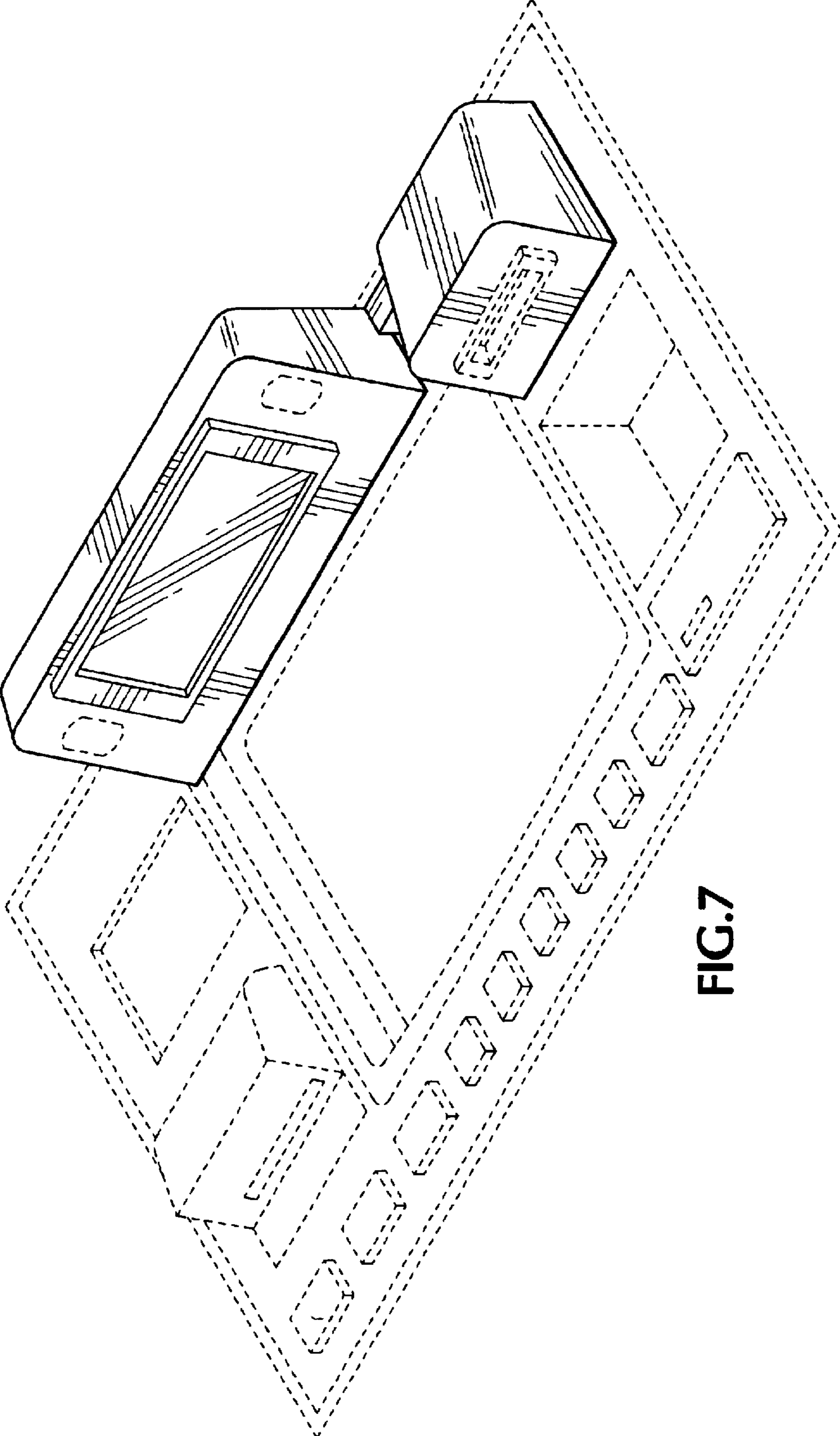


FIG.7

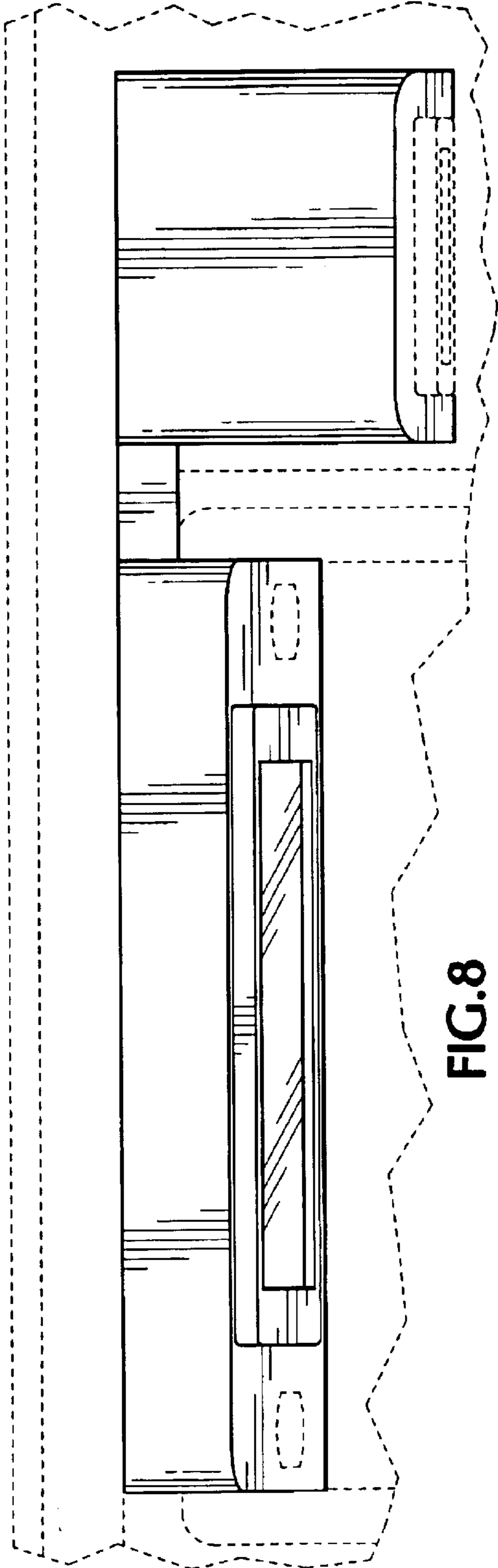


FIG. 8

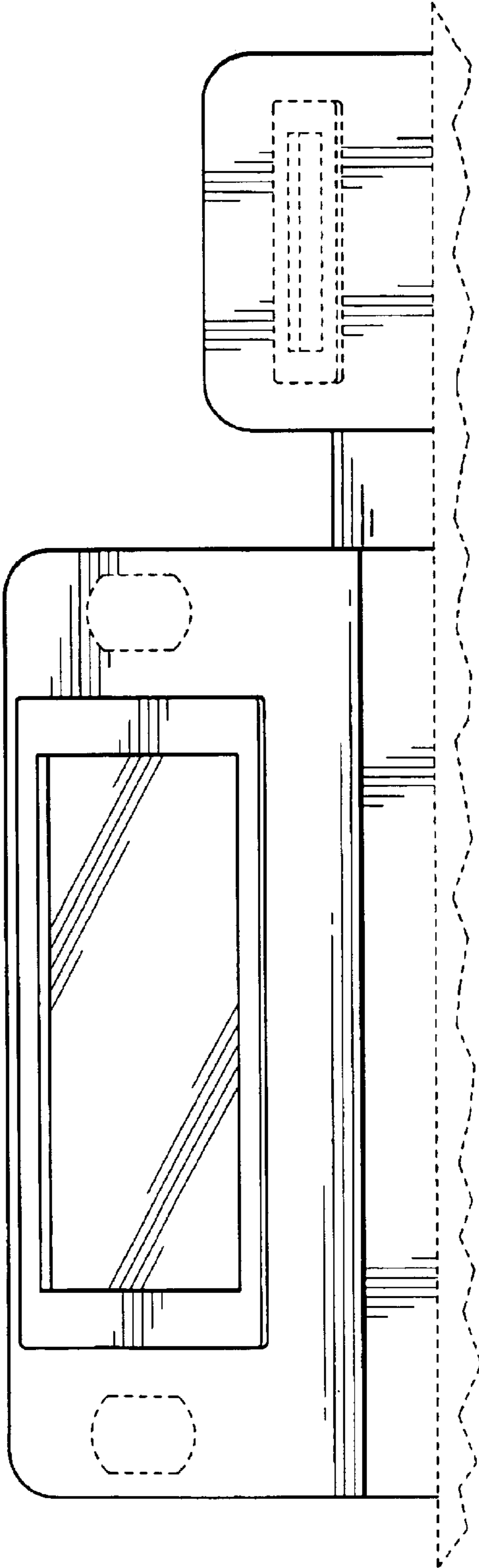


FIG. 9

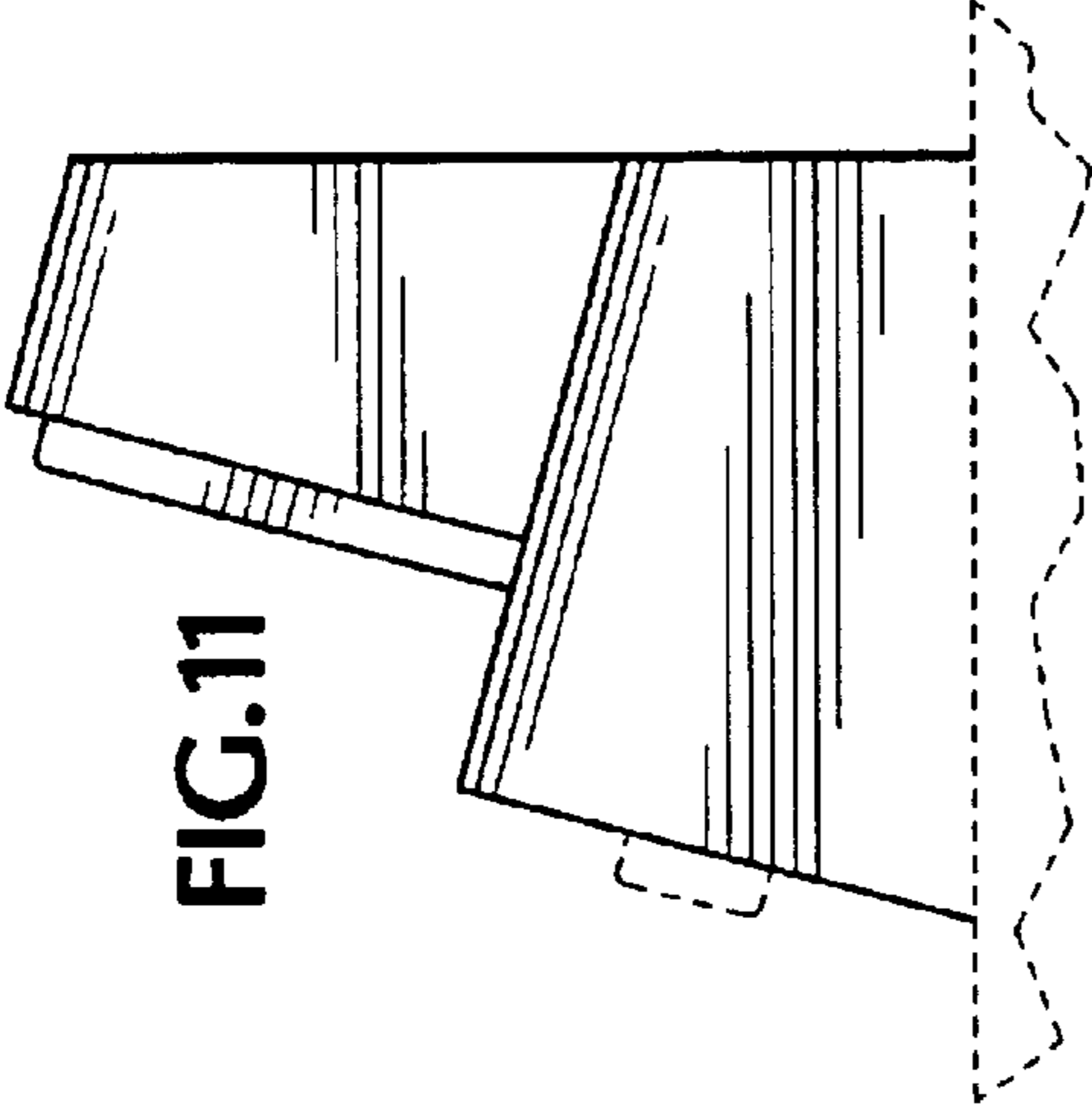


FIG. 11

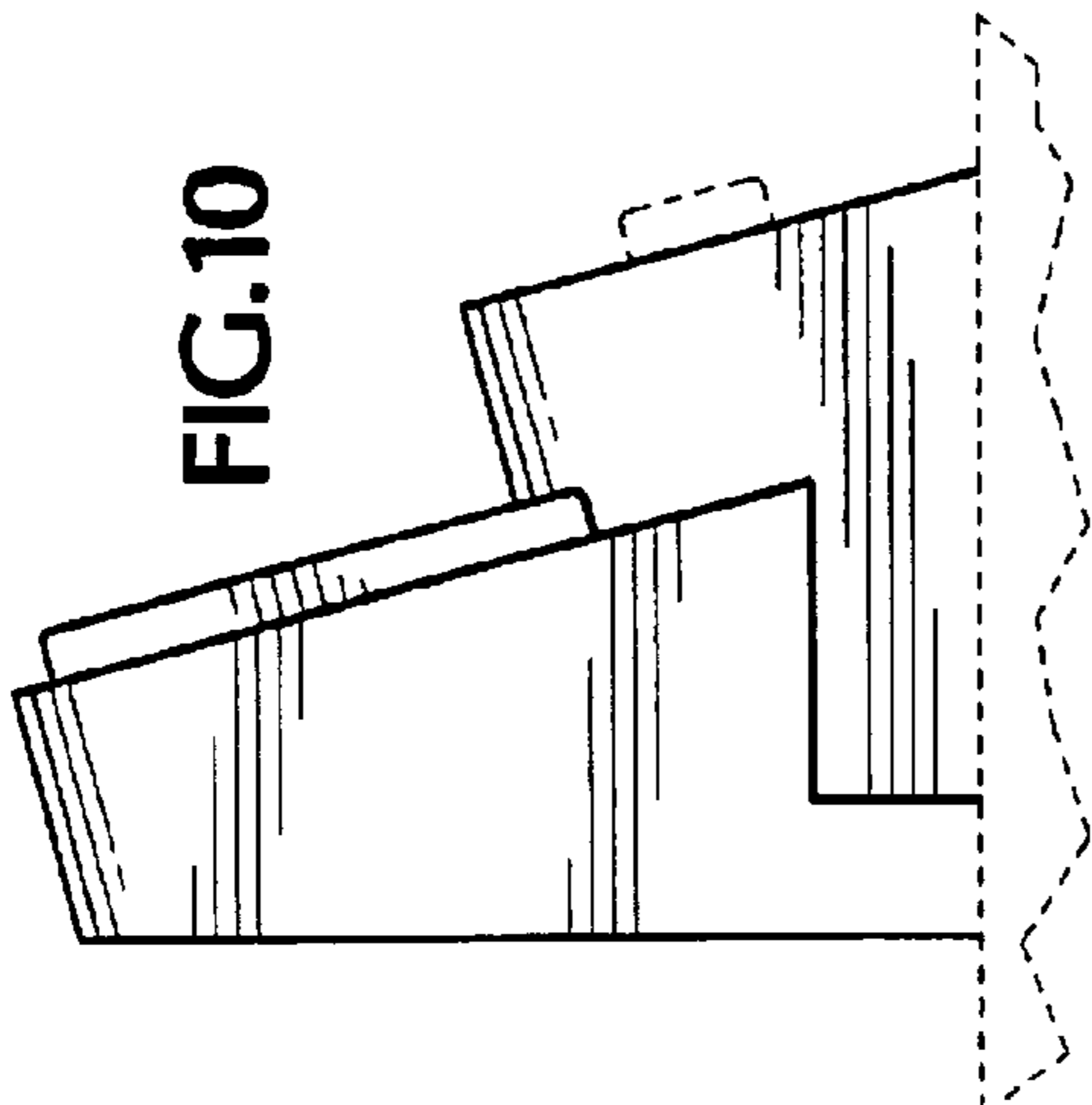


FIG. 10

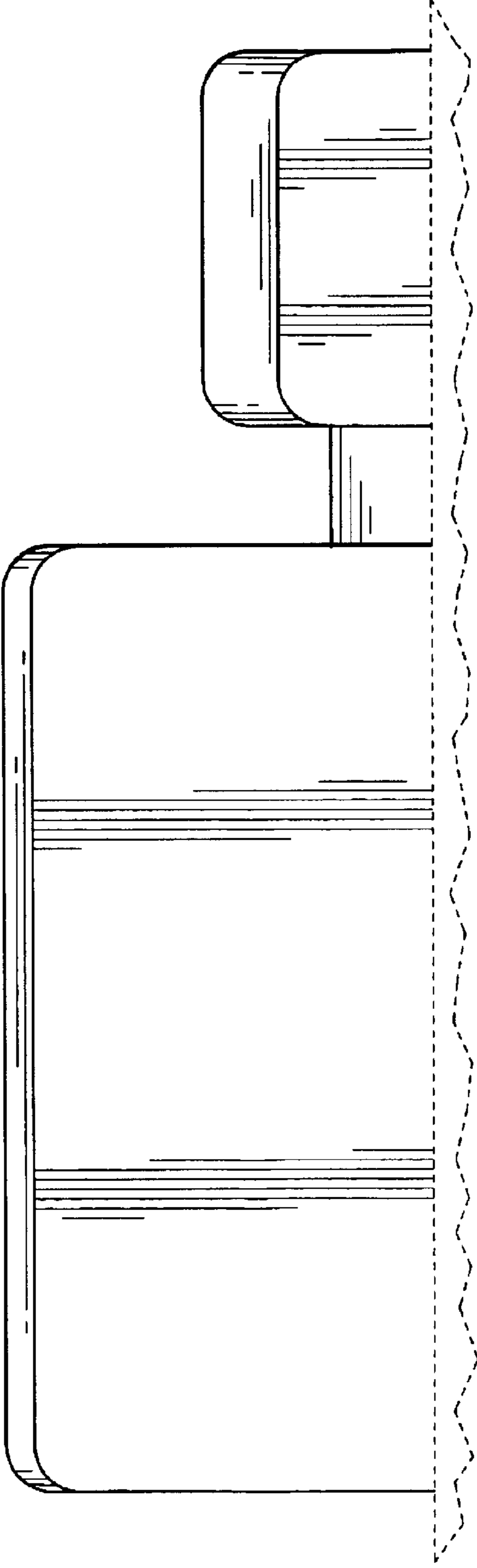


FIG. 12