



US00D515143S

(12) **United States Design Patent**
Tigchelaar

(10) **Patent No.:** **US D515,143 S**

(45) **Date of Patent:** **** Feb. 14, 2006**

(54) **HANDLE FOR DISPLAY SIGNS**

5,274,936 A 1/1994 Fournier
6,698,122 B1 * 3/2004 Merenlender 40/572

(76) Inventor: **Hans Tigchelaar**, 236 Hawkview
Manor Circle N.W., Calgary, Alberta
(CA), T3G 3E5

* cited by examiner

(**) Term: **14 Years**

Primary Examiner—Robert M. Spear
(74) *Attorney, Agent, or Firm*—Thomas E. Malyszko

(21) Appl. No.: **29/201,587**

(57) **CLAIM**

(22) Filed: **Mar. 18, 2004**

The ornamental design for a handle for display signs, as shown and described.

(51) **LOC (8) Cl.** **20-99**

DESCRIPTION

(52) **U.S. Cl.** **D20/99**

(58) **Field of Classification Search** D6/410;
D8/300, 315, 316, 373; D20/10, 43, 44, 99;
40/316, 533, 603, 617, 642.01, 642.02, 649,
40/650, 653, 654.01, 661, 661.03, 661.05

FIG. 1 is a perspective view from above and one side of a handle for display signs according to my design;
FIG. 2 is a side elevational view taken from the left side of FIG. 1, the opposite side being a mirror image;
FIG. 3 is a top plan view of the handle for display signs;
FIG. 4 is a front end elevational view of the handle for display signs;
FIG. 5 is a bottom plan view of the handle for display signs; and,
FIG. 6 is a perspective view similar to FIG. 1 showing a display sign in ghost outline to the handle for display signs. The broken line showing the display sign in FIG. 6 is for illustrative purposes only and forms no part of the claimed design.

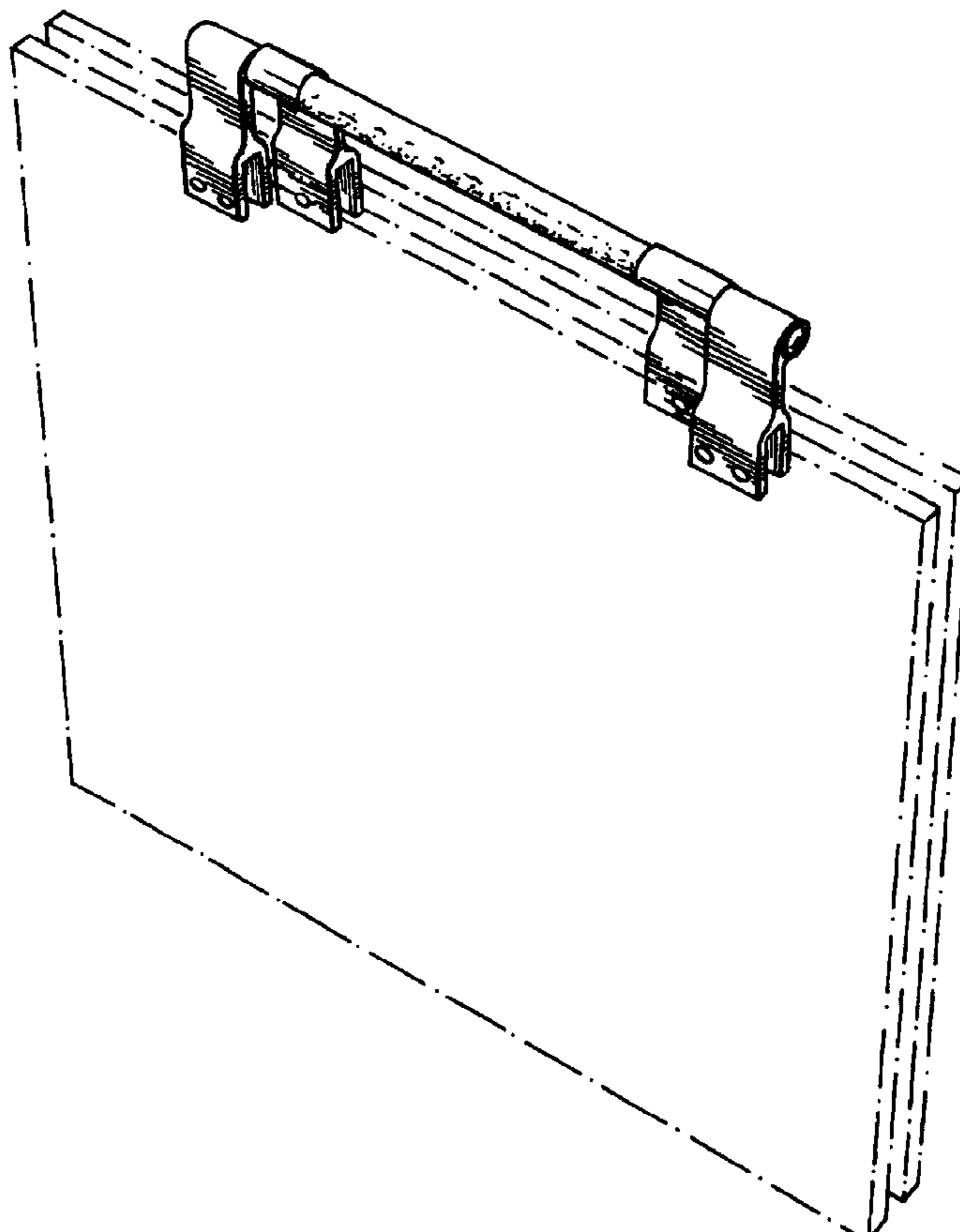
See application file for complete search history.

(56) **References Cited**

U.S. PATENT DOCUMENTS

786,271 A	*	4/1905	Desmarais	40/533
1,207,456 A	*	12/1916	Whelan	40/533
1,881,636 A	*	10/1932	Johnson et al.	434/414
D113,175 S	*	1/1939	Stoner	D8/319
3,082,557 A	*	3/1963	Huff	40/661
4,089,129 A	*	5/1978	Patterson, Jr.	40/617
4,294,029 A	*	10/1981	Holson	40/388
D342,286 S	*	12/1993	Orsos	D20/43

1 Claim, 3 Drawing Sheets



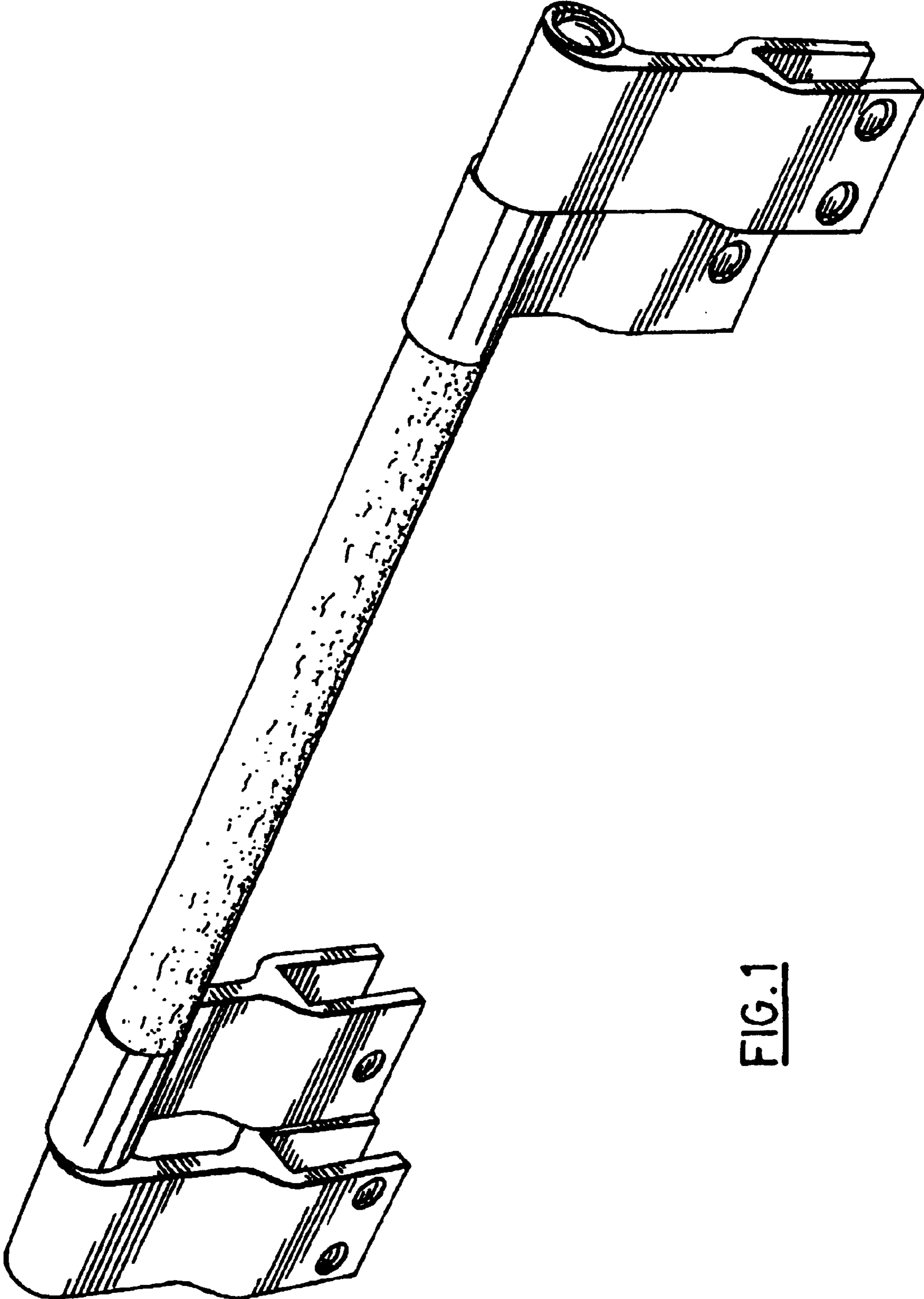


FIG. 1

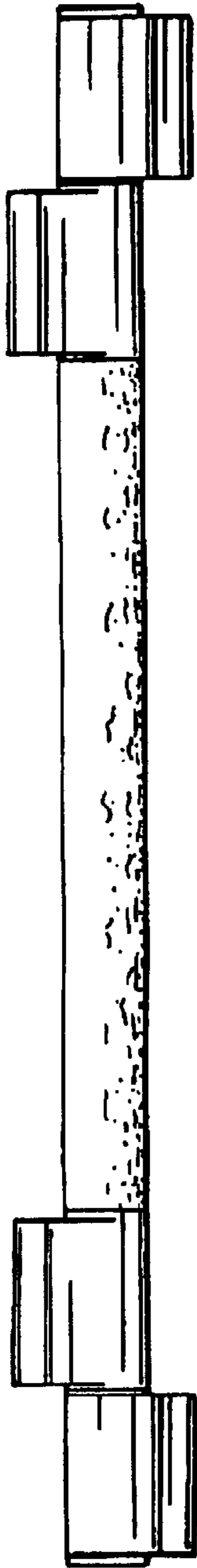


FIG. 3

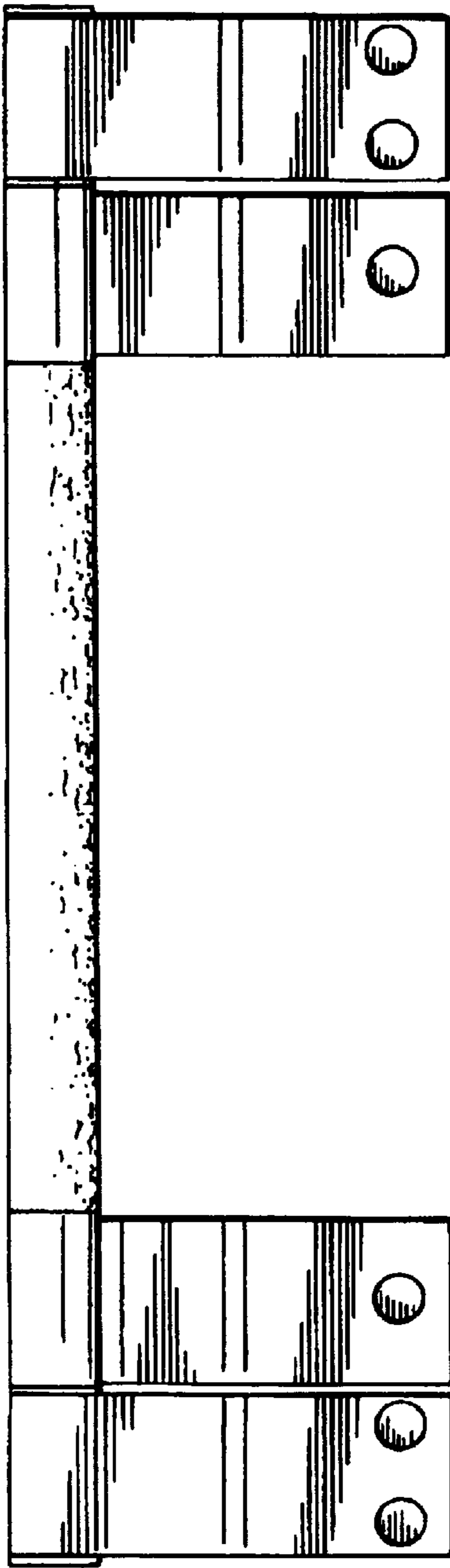


FIG. 4

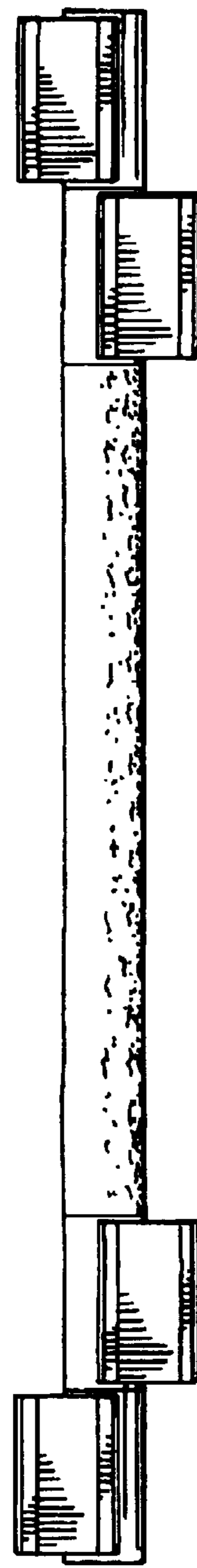


FIG. 5

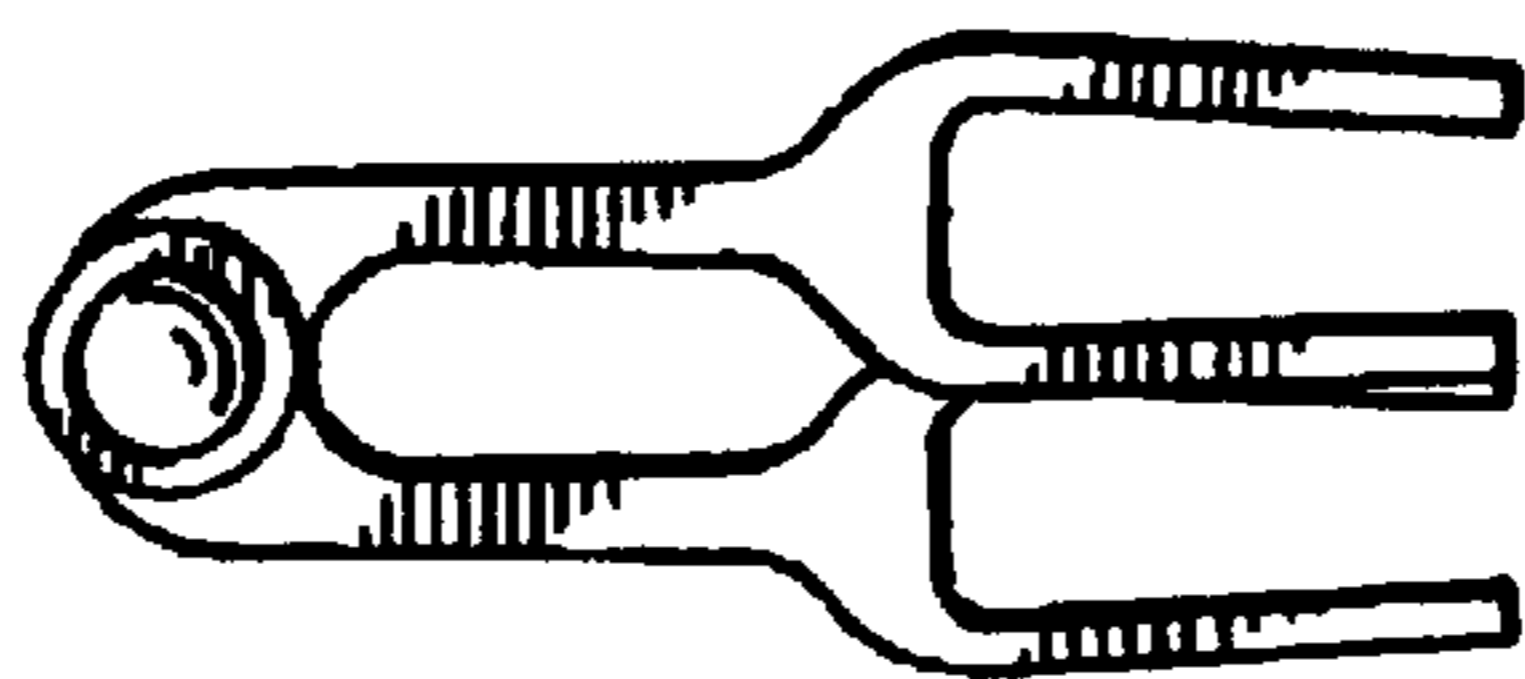


FIG. 2

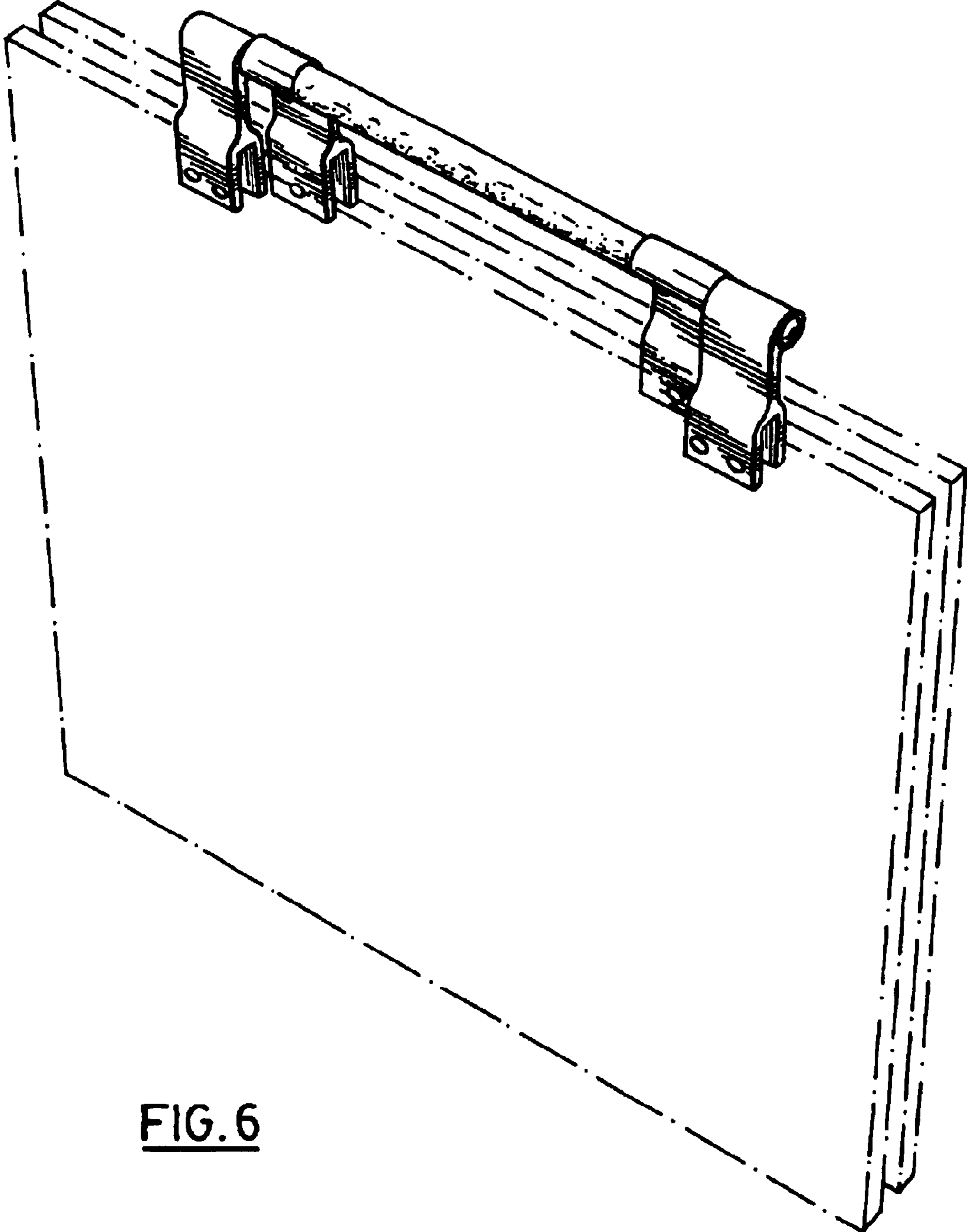


FIG. 6