



US00D515141S

(12) **United States Design Patent**  
**Li**

(10) **Patent No.:** **US D515,141 S**

(45) **Date of Patent:** **\*\* Feb. 14, 2006**

(54) **LABEL FOR I/O PORTS**

(75) **Inventor:** **Yi-Shan Li, Taipei (TW)**

(73) **Assignee:** **Inventec Corporation, Taipei (TW)**

(\*\*) **Term:** **14 Years**

(21) **Appl. No.:** **29/222,002**

(22) **Filed:** **Jan. 26, 2005**

(51) **LOC (8) Cl. .... 19-08**

(52) **U.S. Cl. .... D20/27**

(58) **Field of Classification Search .... D20/22,**  
D20/27, 40, 42, 43, 44, 99; D19/1, 2; 40/1,  
40/5, 6, 360, 630, 637, 638, 675, 299; 206/232,  
206/459.5; 283/67, 75, 81, 101, 900; 428/40.1,  
428/41.8, 42.3; D14/306, 356

See application file for complete search history.

(56) **References Cited**

**U.S. PATENT DOCUMENTS**

D484,128 S \* 12/2003 Chung ..... D14/356

D487,086 S \* 2/2004 Chung ..... D14/356  
6,741,467 B2 \* 5/2004 Coglitore et al. .... 361/687  
D491,174 S \* 6/2004 Chen ..... D14/308

\* cited by examiner

*Primary Examiner*—Robert M. Spear

(74) *Attorney, Agent, or Firm*—Birch, Stewart, Kolasch & Birch, LLP

(57) **CLAIM**

The ornamental design for a “label for I/O ports,” as shown and described.

**DESCRIPTION**

FIG. 1 is a perspective view of label for I/O ports showing our new design;

FIG. 2 is a front view thereof;

FIG. 3 is a rear view thereof;

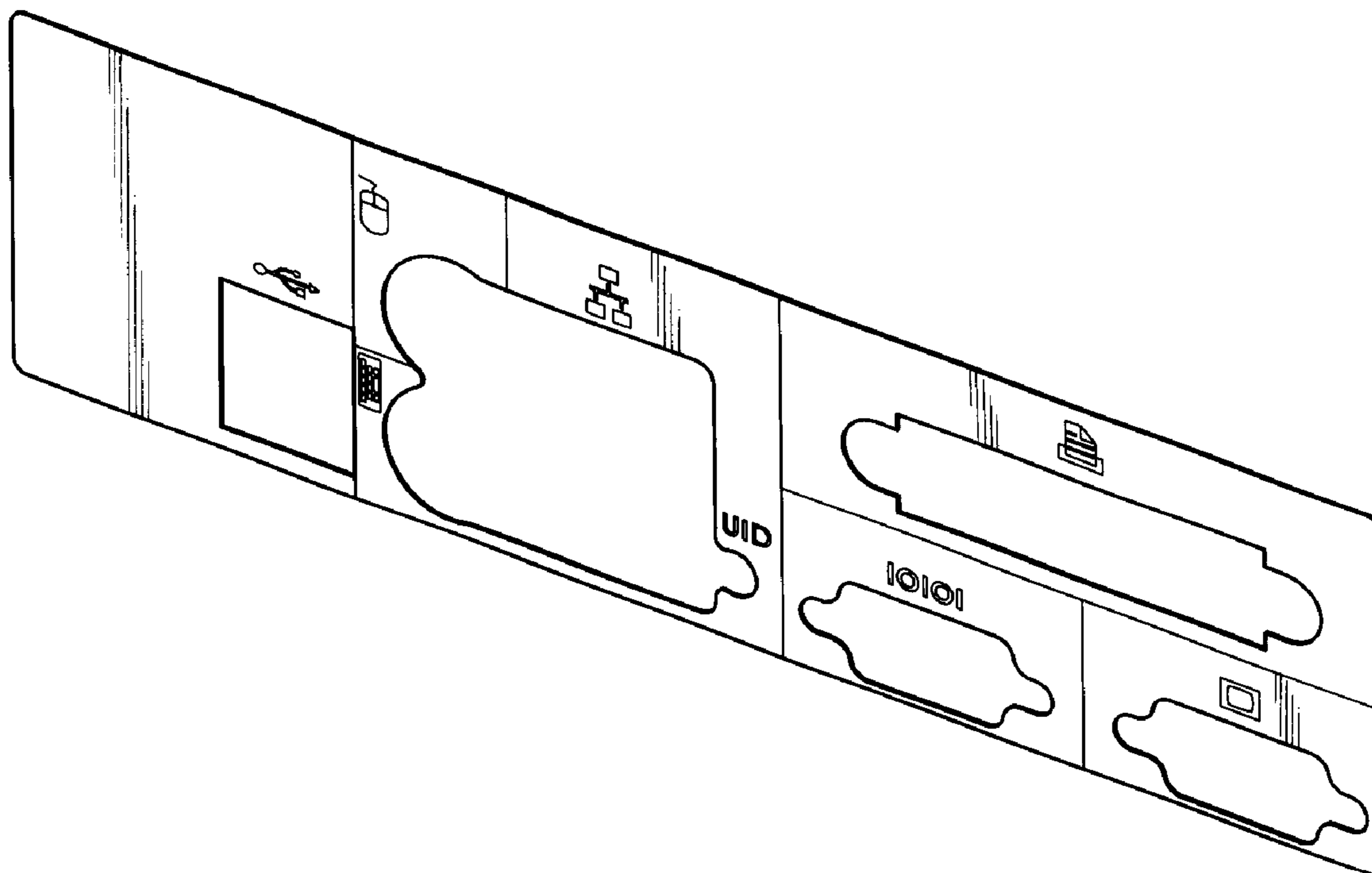
FIG. 4 is a left side elevational view thereof;

FIG. 5 is a right side elevational view thereof;

FIG. 6 is a top view thereof; and,

FIG. 7 is a bottom view thereof.

**1 Claim, 3 Drawing Sheets**



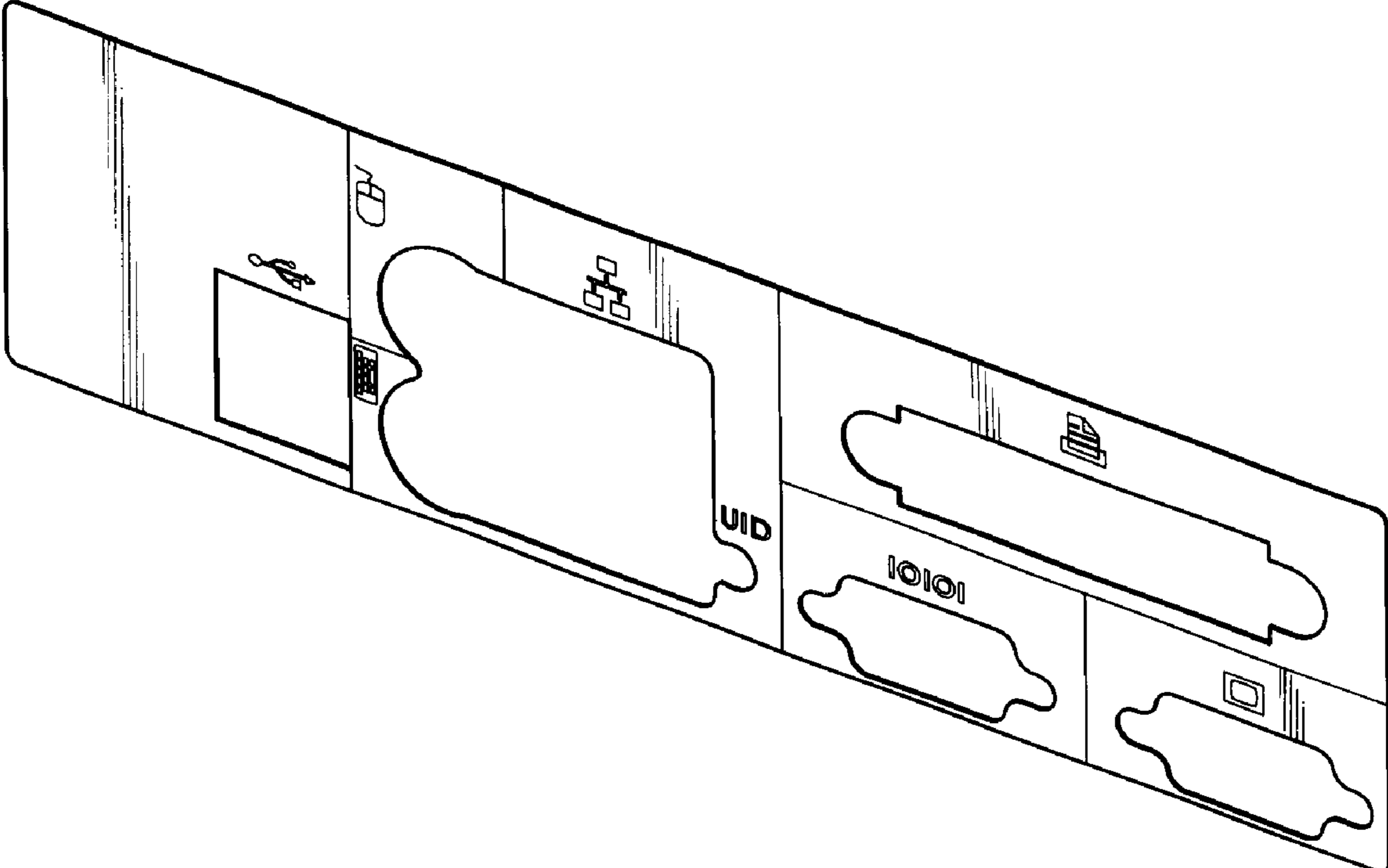


FIG.1

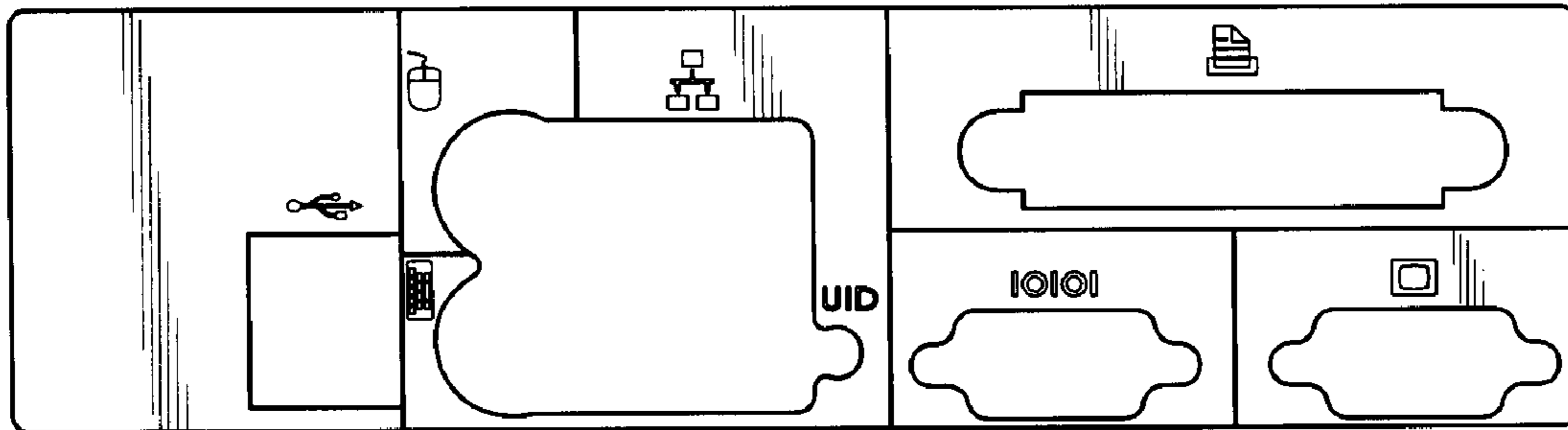


FIG. 2

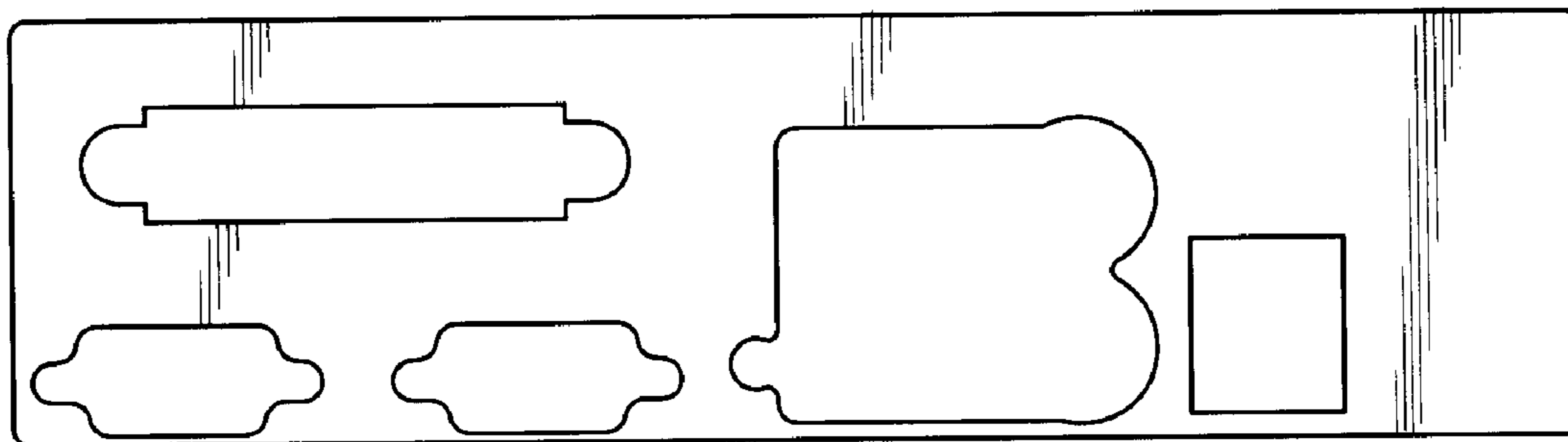


FIG. 3



FIG. 4



FIG. 5



FIG. 6



FIG. 7