



US00D515137S

(12) **United States Design Patent**
Okupe

(10) **Patent No.:** **US D515,137 S**

(45) **Date of Patent:** **** Feb. 14, 2006**

(54) **GUMBALL DISPENSER AND DISPLAY**
(76) **Inventor:** **Olukoya Olugbenga Okupe**, 2643
McCloud River Rd., Stockton, CA (US)
95206

D277,633 S 2/1985 McClellan D7/76
D333,681 S 3/1993 Stern D20/7
D387,386 S * 12/1997 Tegtmeier et al. D20/7
5,984,171 A * 11/1999 Schwarzli 232/15

* cited by examiner

(**) **Term:** **14 Years**

Primary Examiner—Robert M. Spear
(74) *Attorney, Agent, or Firm*—Goldstein Law Offices, PC

(21) **Appl. No.:** **29/187,060**

(57) **CLAIM**

(22) **Filed:** **Jul. 25, 2003**

The ornamental design for a gumball dispenser and display,
as shown and described.

(51) **LOC (8) Cl.** **20-01**

(52) **U.S. Cl.** **D20/7**

(58) **Field of Classification Search** D20/1-9;
194/239, 320, 342, 350; 221/92, 128, 155,
221/191, 194, 284; 463/17; D6/515; D19/67
See application file for complete search history.

DESCRIPTION

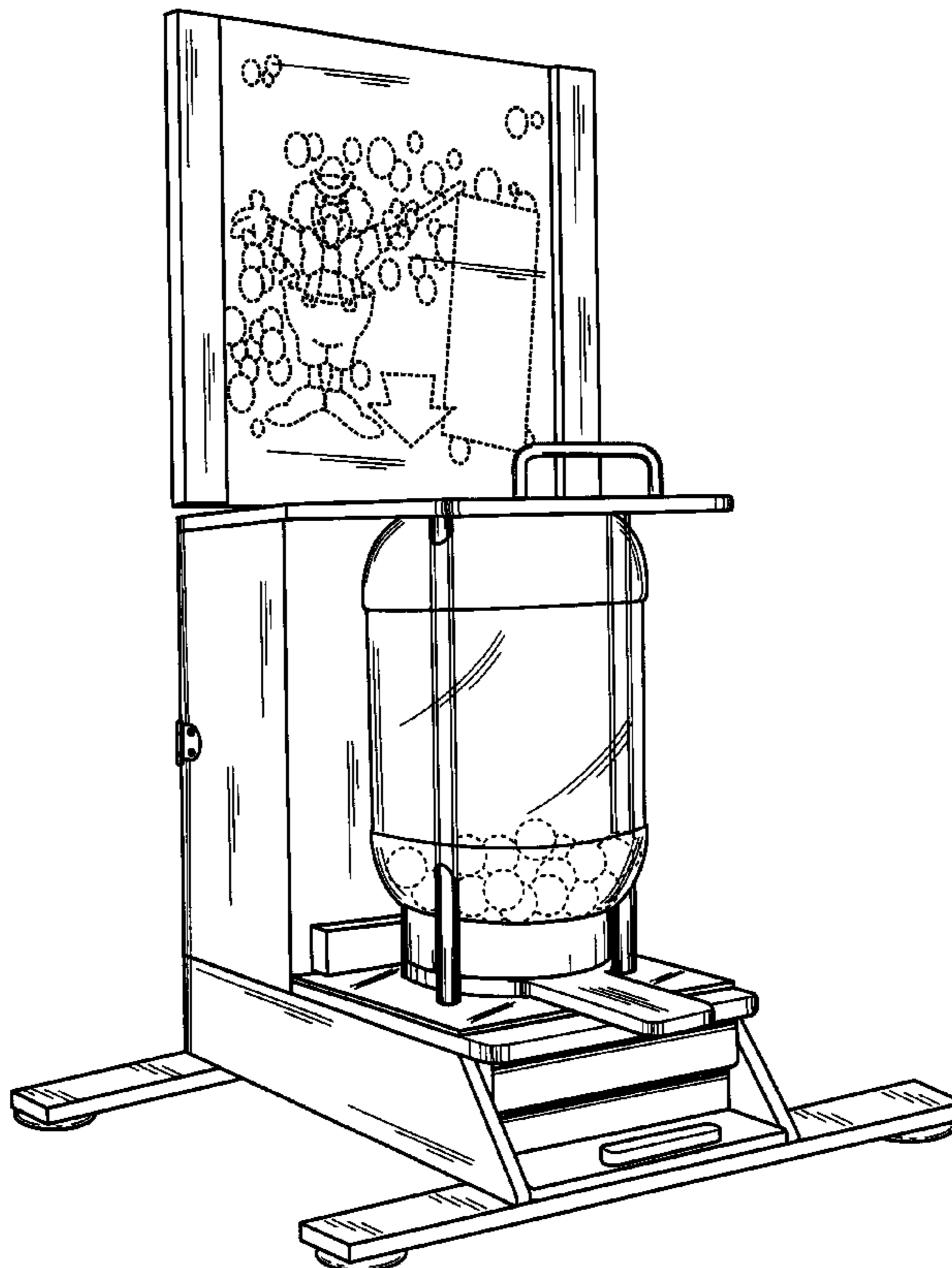
(56) **References Cited**

U.S. PATENT DOCUMENTS

D36,786 S	2/1904	Nichols	
D39,257 S	* 4/1908	Davis	D20/7
D49,333 S	7/1916	Giles	D20/7
1,540,389 A	6/1925	Felton	D20/7
1,706,324 A	3/1929	Rogers	
1,864,847 A	6/1932	Morrison	D20/7
D206,611 S	* 1/1967	Christine et al.	D20/4
3,489,259 A	1/1970	Greenwald et al.	194/92
3,602,351 A	8/1971	Terry	194/55
D264,593 S	* 5/1982	Lyons	D7/589
D264,596 S	* 5/1982	Lyons	D7/589

FIG. 1 is a perspective view of a gumball dispenser and display showing my new design;
FIG. 2 is a front elevational view thereof.
FIG. 3 is a rear elevational view thereof.
FIG. 4 is a right side elevational view thereof.
FIG. 5 is a left side elevational view thereof.
FIG. 6 is a top plan view thereof.
FIG. 7 is a bottom plan view thereof.
FIG. 8 is a rear perspective view of the gumball dispenser and display, with the rear door ajar illustrating the internal components thereof; and,
FIG. 9 is a perspective view of a gumball dispenser and display shown in use on a stand.
The broken lines in the drawings represent environmental structure only and form no part of the claimed design.

1 Claim, 9 Drawing Sheets



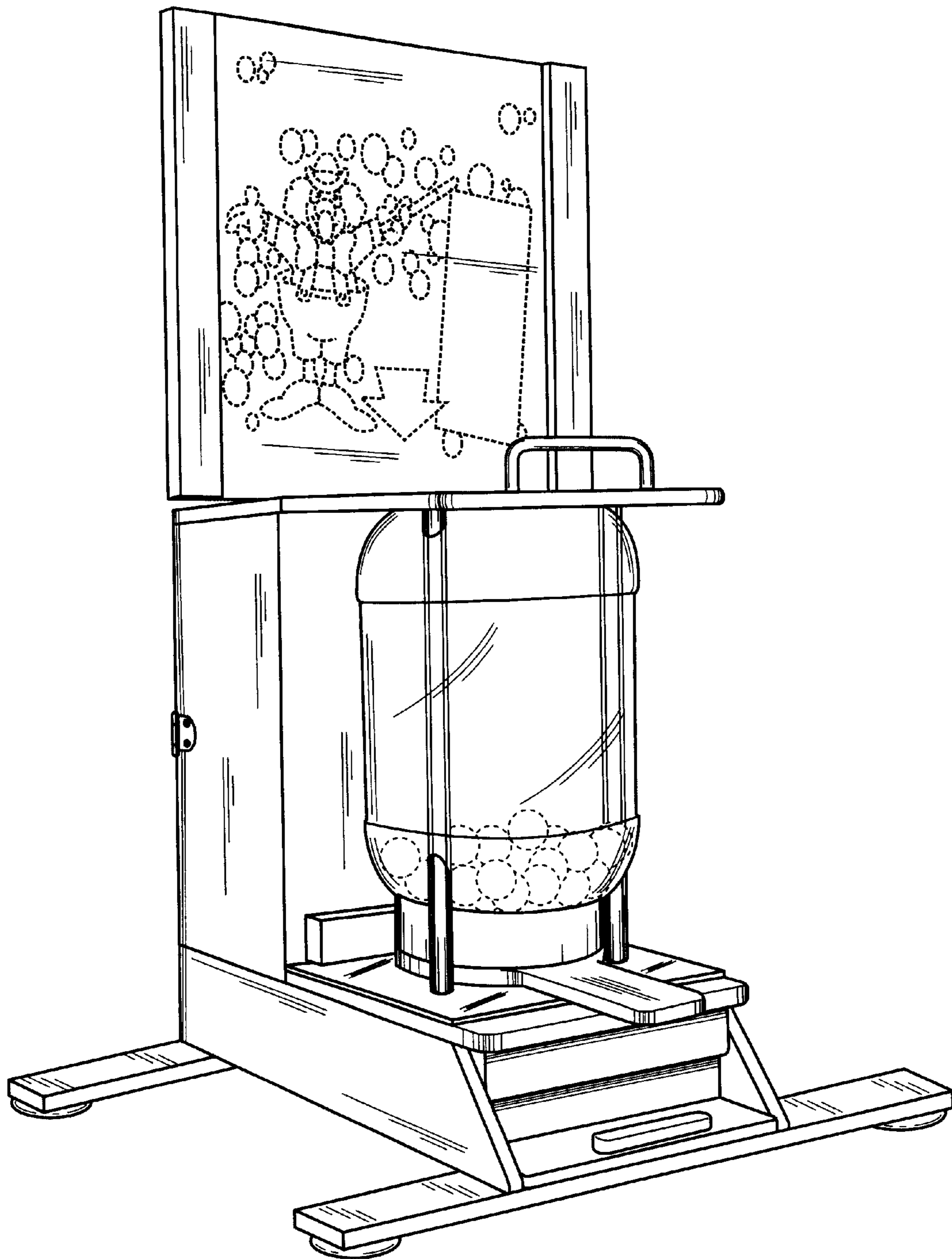


FIG. 1

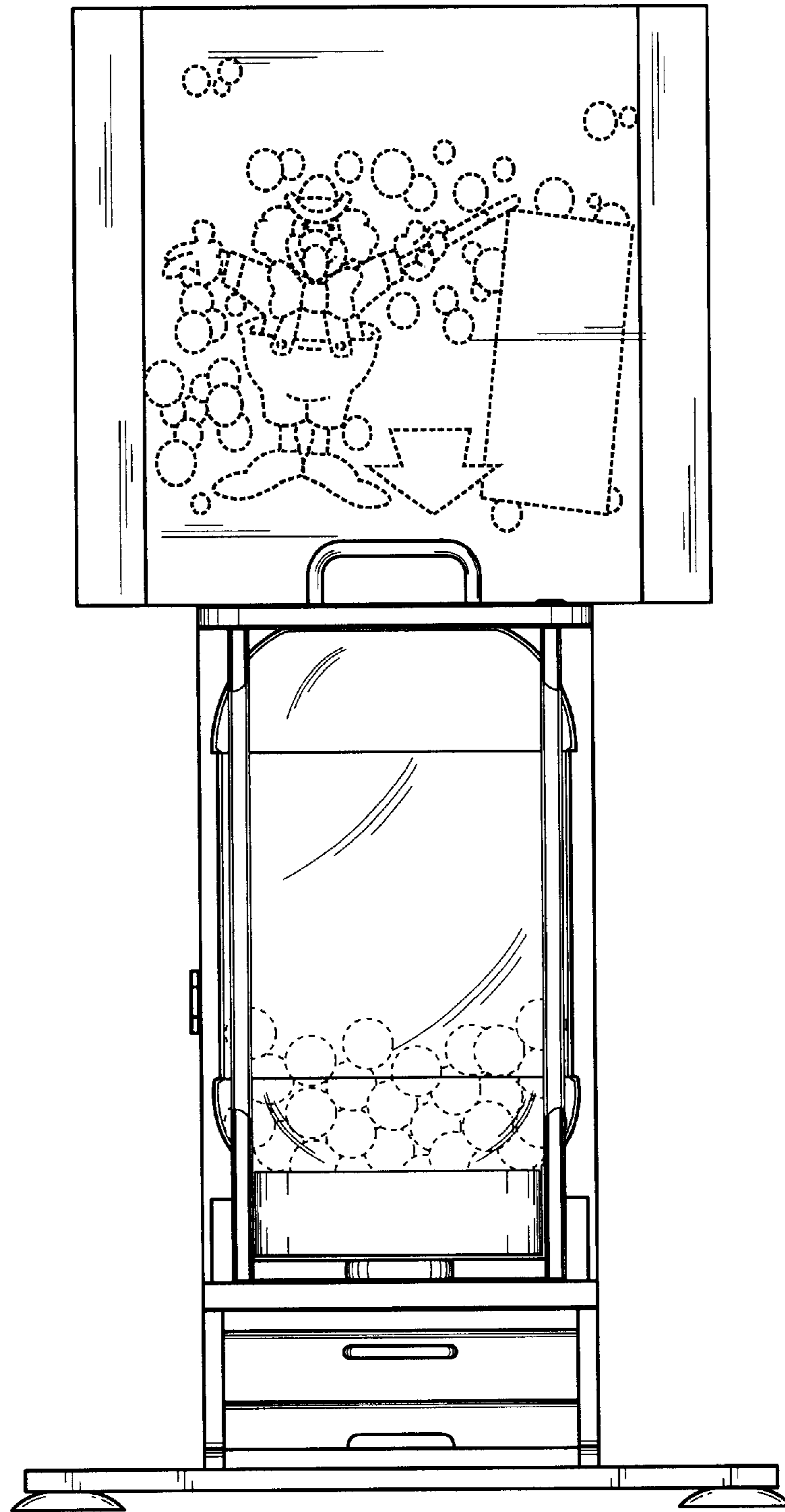


FIG. 2

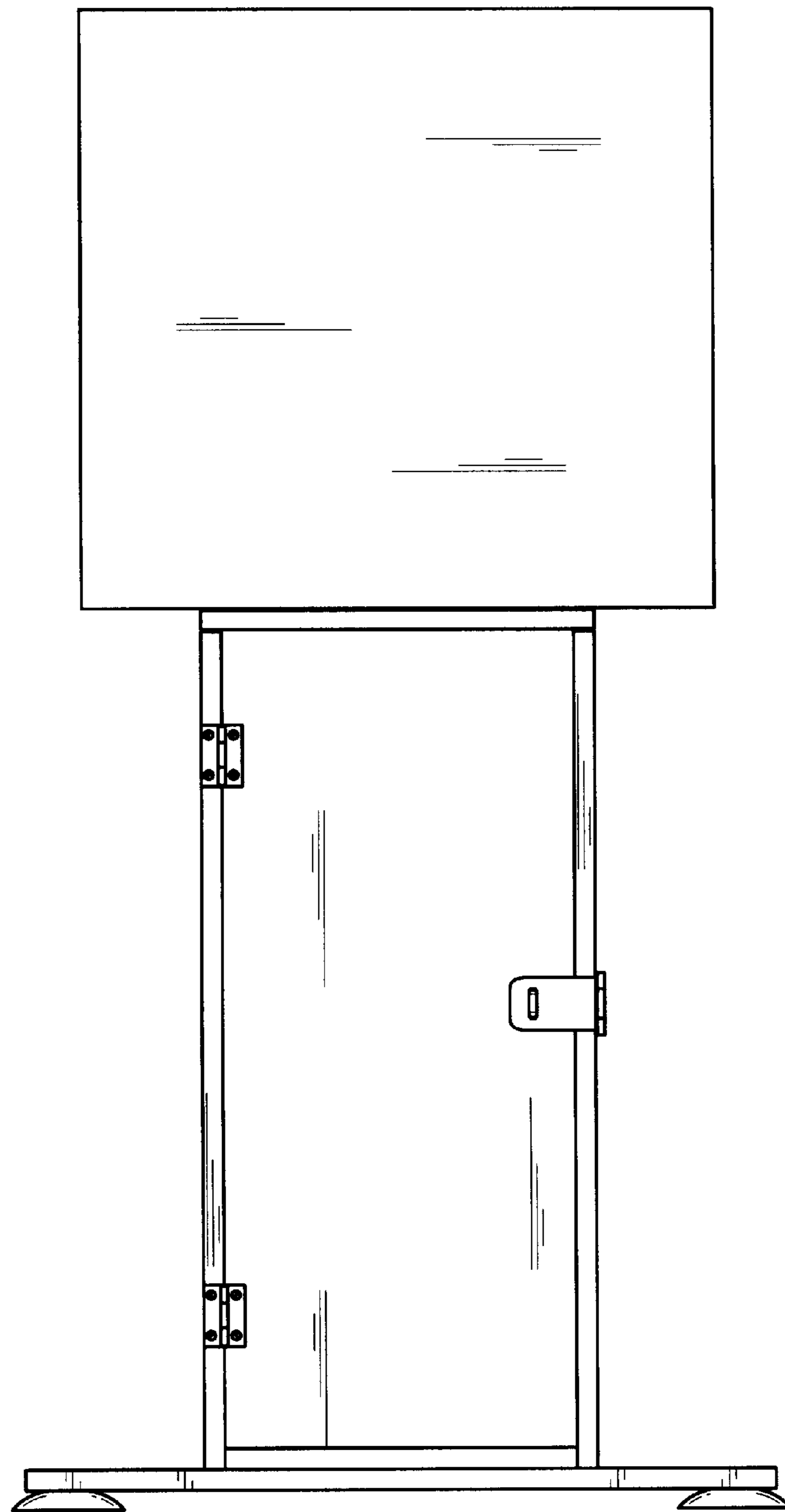


FIG. 3

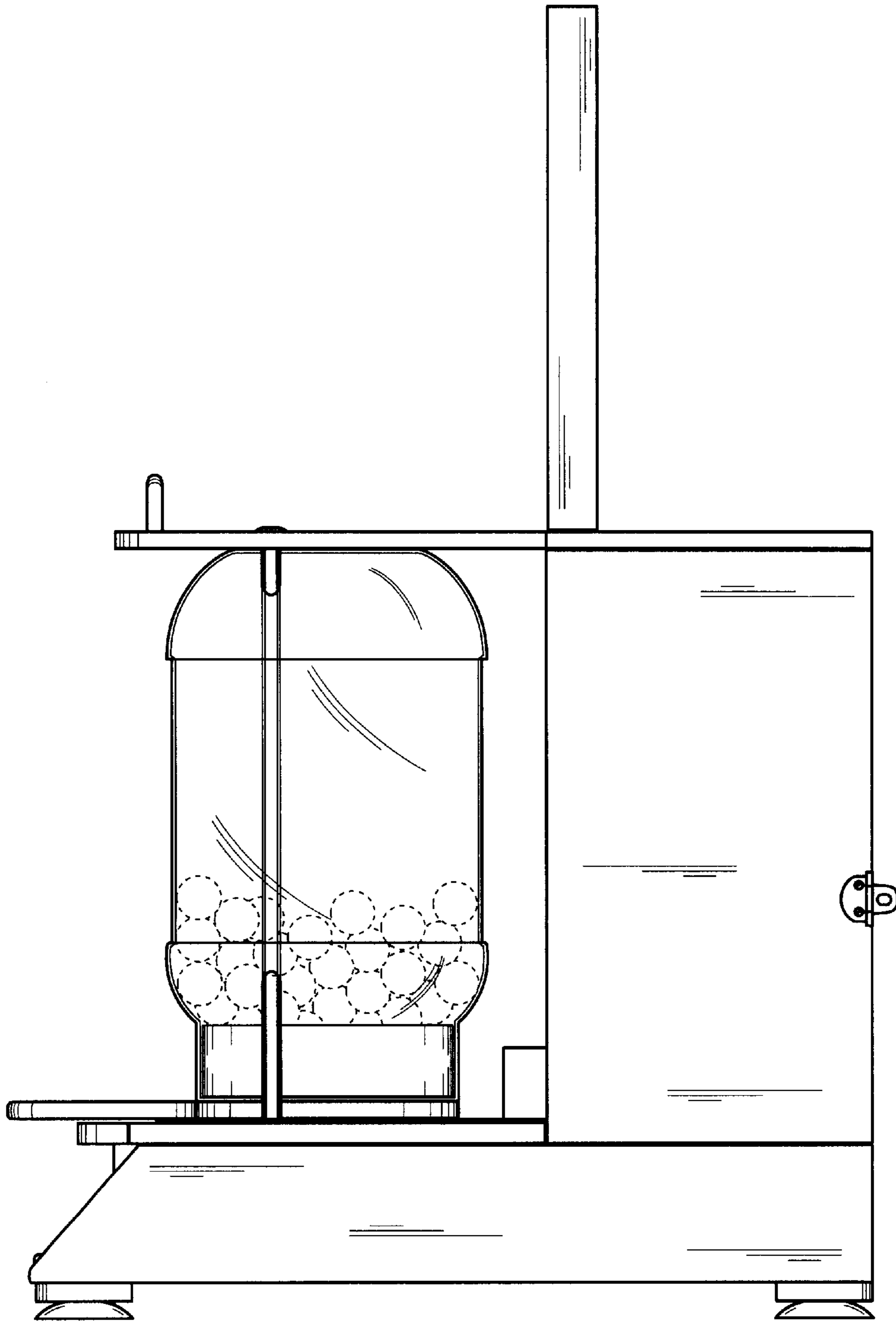


FIG. 4

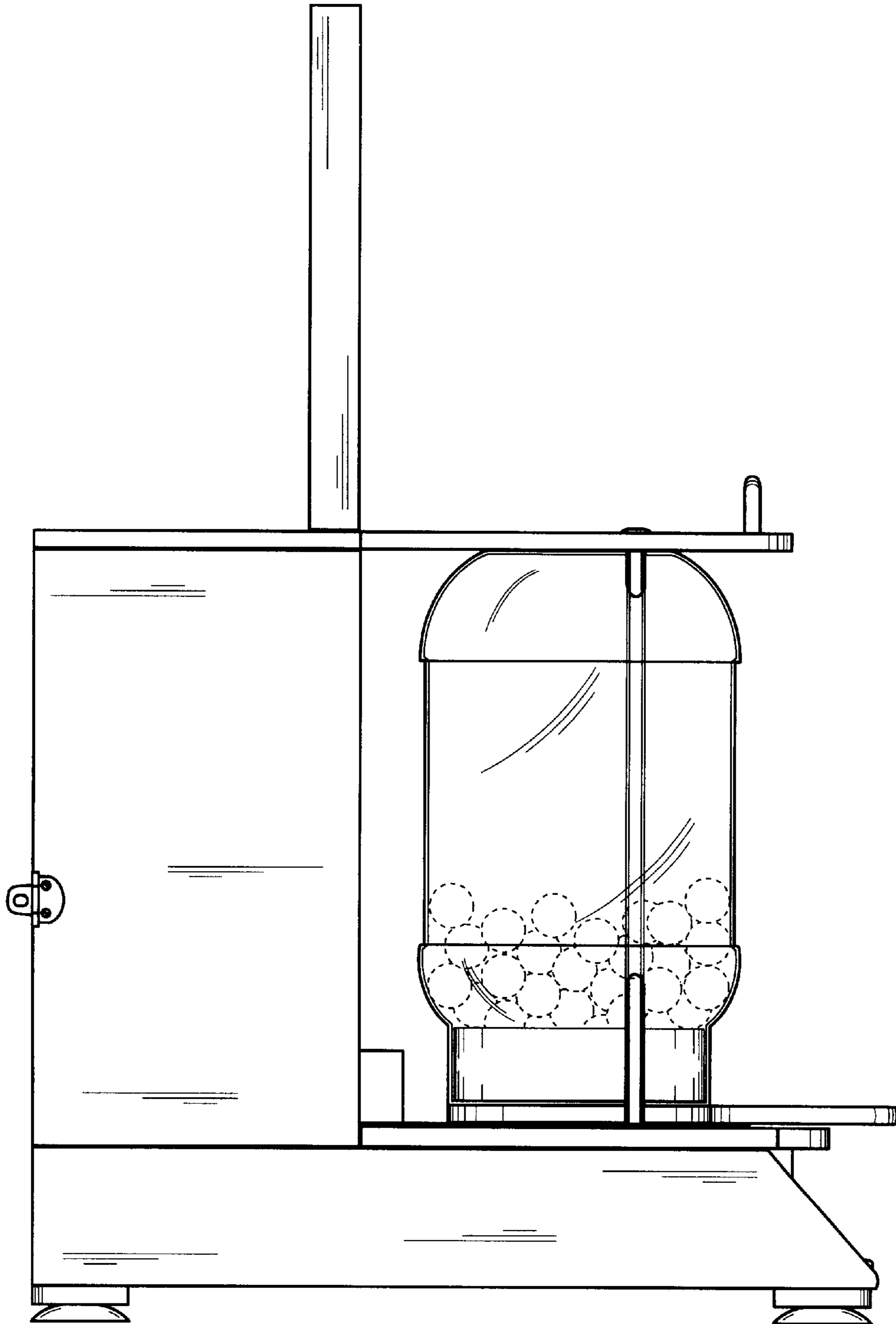


FIG. 5

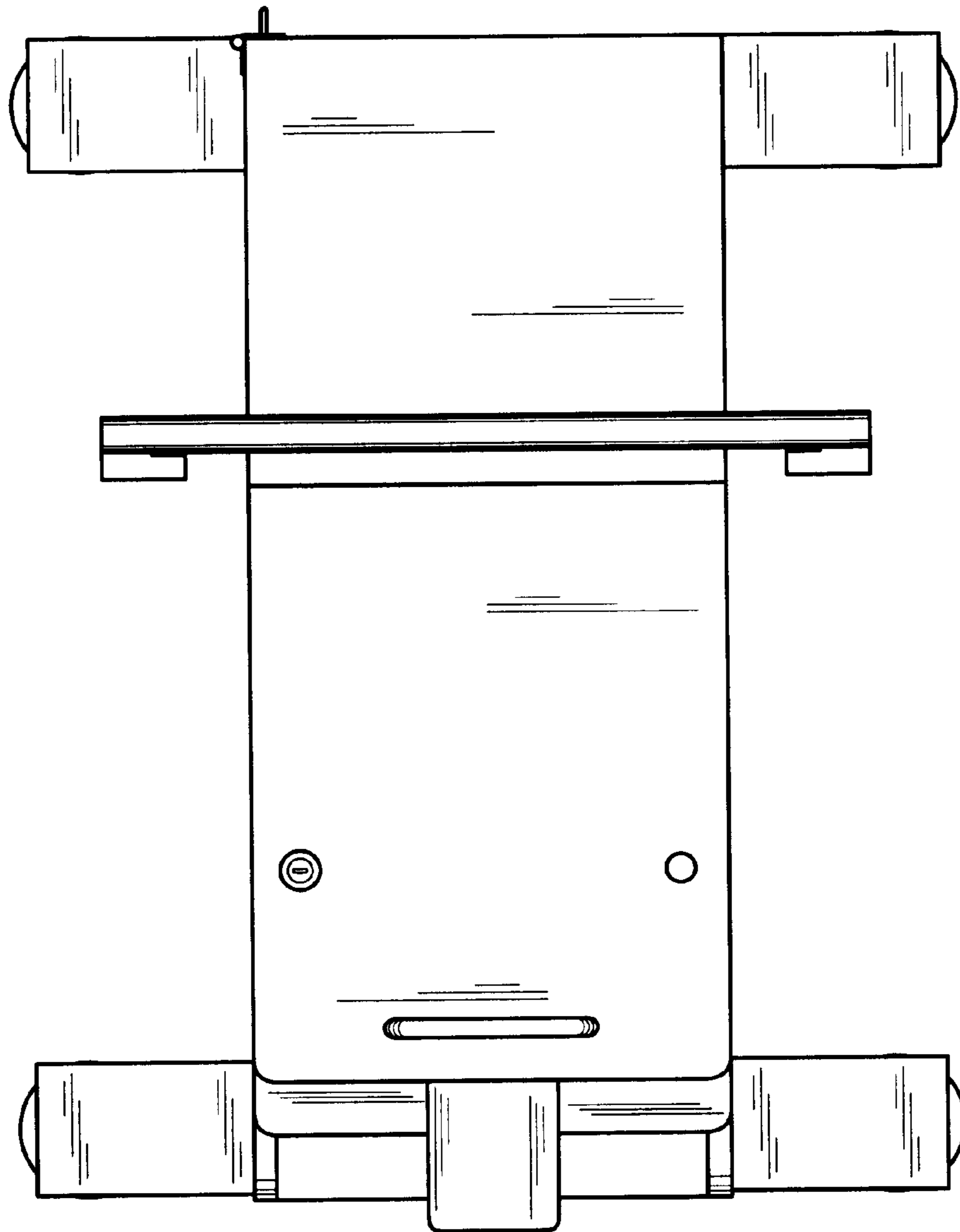


FIG. 6

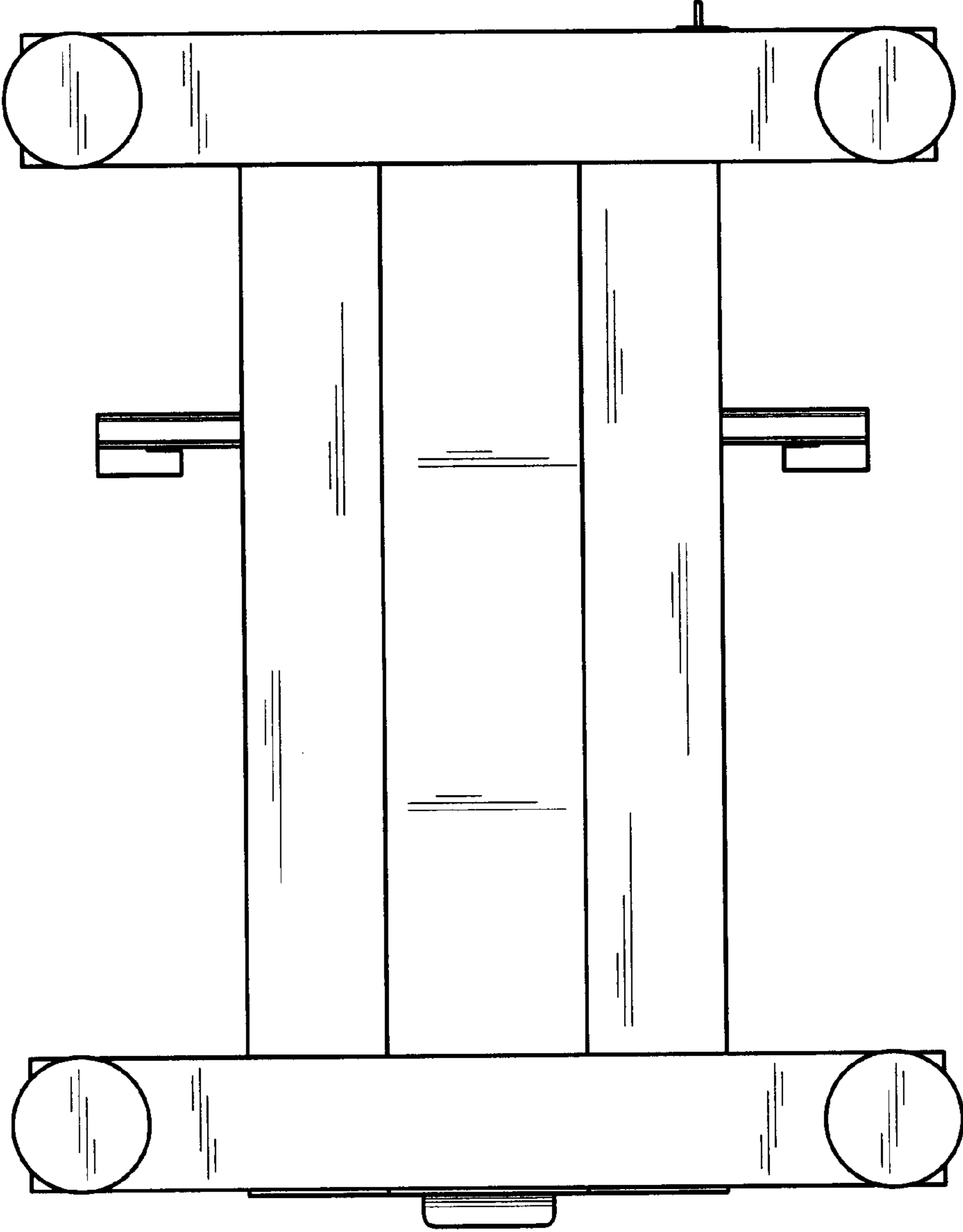


FIG. 7

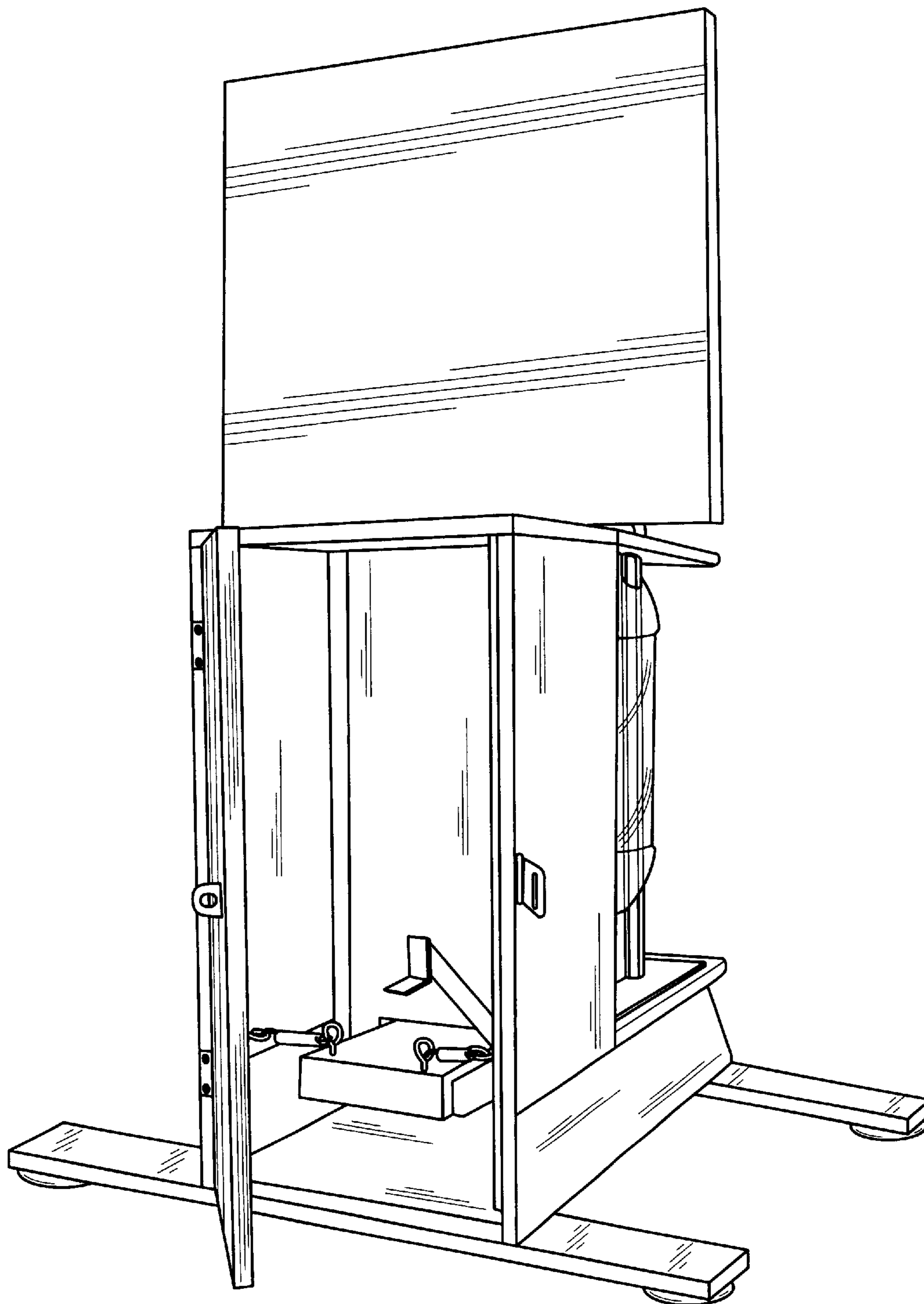


FIG. 8

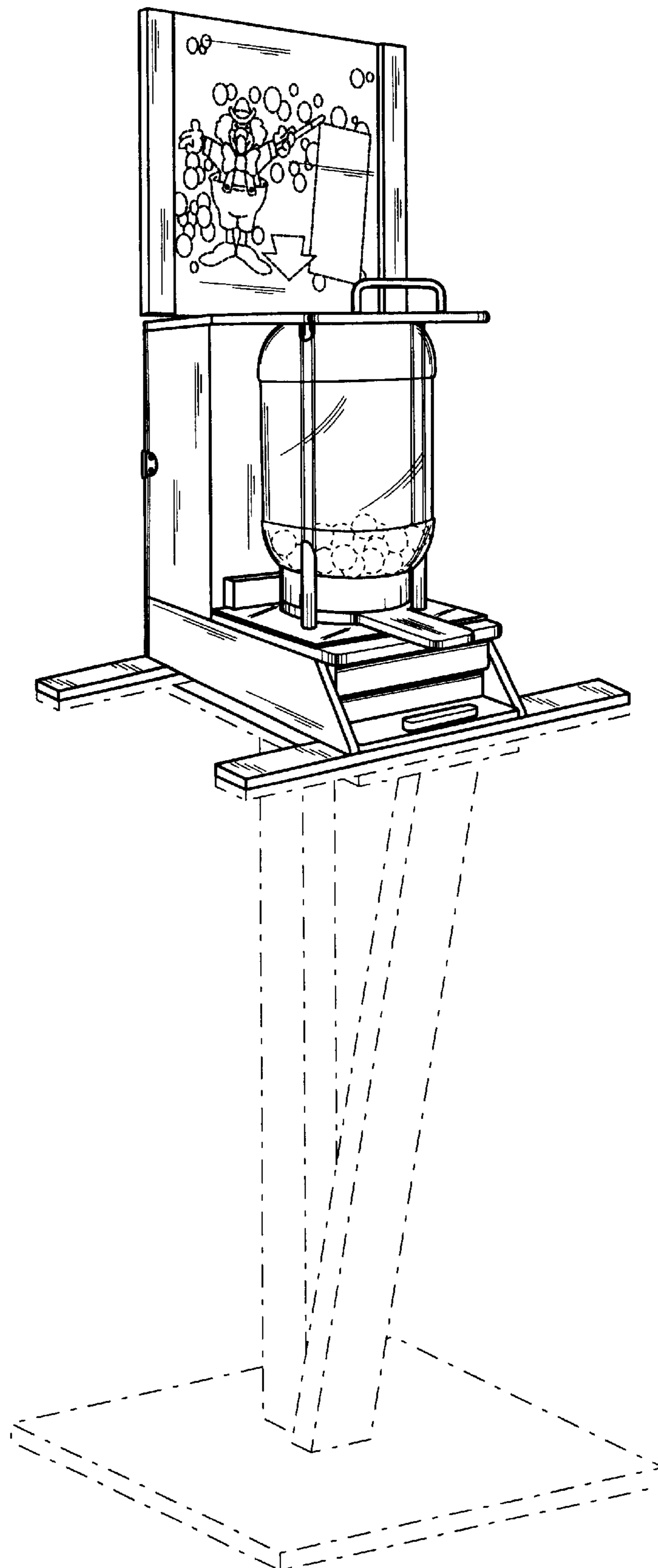


FIG. 9