



US00D515131S

(12) **United States Design Patent** (10) **Patent No.:** **US D515,131 S**
Hwang et al. (45) **Date of Patent:** **** Feb. 14, 2006**

(54) **PRINTER**
(75) Inventors: **Peter G. Hwang**, Vancouver, WA (US);
Anyee J. Worley, Murrieta, CA (US)
(73) Assignee: **Hewlett-Packard Development
Company, L.P.**, Houston, TX (US)
(**) Term: **14 Years**
(21) Appl. No.: **29/188,274**
(22) Filed: **Aug. 15, 2003**
(51) **LOC (8) Cl.** **14-02**
(52) **U.S. Cl.** **D18/55; D18/36**
(58) **Field of Classification Search** D18/14,
D18/19, 21, 36-39, 53-54, 54.1, 55; D14/420-425,
D14/462-470; 400/613, 613.1-613.4, 690.1-690.4,
400/691-694

See application file for complete search history.

D428,049 S * 7/2000 Imai D18/36
D440,247 S 4/2001 Takimoto et al.
D441,394 S 5/2001 Kobayashi et al.
D443,638 S 6/2001 Kobayashi et al.
D444,170 S 6/2001 Ichi et al.
D447,765 S * 9/2001 Hatanaka et al. D18/39
D452,705 S 1/2002 Takenouchi et al.
D453,933 S * 2/2002 Mulcahy et al. D14/420
D455,172 S 4/2002 Falk et al.
D456,445 S 4/2002 Kusanagi
D456,834 S * 5/2002 Fetherolf et al. D18/36
D458,297 S * 6/2002 Laidlaw et al. D18/36
D461,492 S 8/2002 Bishop et al.
D463,484 S 9/2002 Kemmochi
D468,765 S 1/2003 Kobayashi et al.
D476,029 S 6/2003 Lee et al.
D478,619 S * 8/2003 Agata et al. D18/55
D494,211 S * 8/2004 Yoshida et al. D18/39
D501,667 S * 2/2005 Ishigami et al. D18/50

* cited by examiner

Primary Examiner—Cathy Anne MacCormac

(56) **References Cited**
U.S. PATENT DOCUMENTS

D277,579 S * 2/1985 Noonan D14/425
D317,420 S * 6/1991 Kosako et al. D18/54
D317,937 S 7/1991 Uchihori et al.
D318,066 S 7/1991 Moro
D324,233 S 2/1992 Sawa et al.
D324,539 S 3/1992 Sawa
D331,401 S * 12/1992 Takeuchi D14/462
D355,907 S * 2/1995 Takeuchi D14/462
D378,378 S 3/1997 Nakazawa et al.
D408,443 S * 4/1999 Sasaki D18/36
D425,552 S 5/2000 Kobayashi et al.
D425,929 S * 5/2000 Imai D18/36
D427,235 S 6/2000 Kaseno et al.

(57) **CLAIM**

The ornamental design for a printer, as shown.

DESCRIPTION

FIG. 1 is a perspective view of a printer, in accordance with the present invention;
FIG. 2 is a front view thereof;
FIG. 3 is a rear view thereof;
FIG. 4 is a right side view thereof;
FIG. 5 is a left side view thereof;
FIG. 6 is a top view thereof; and,
FIG. 7 is a bottom view thereof.

1 Claim, 6 Drawing Sheets

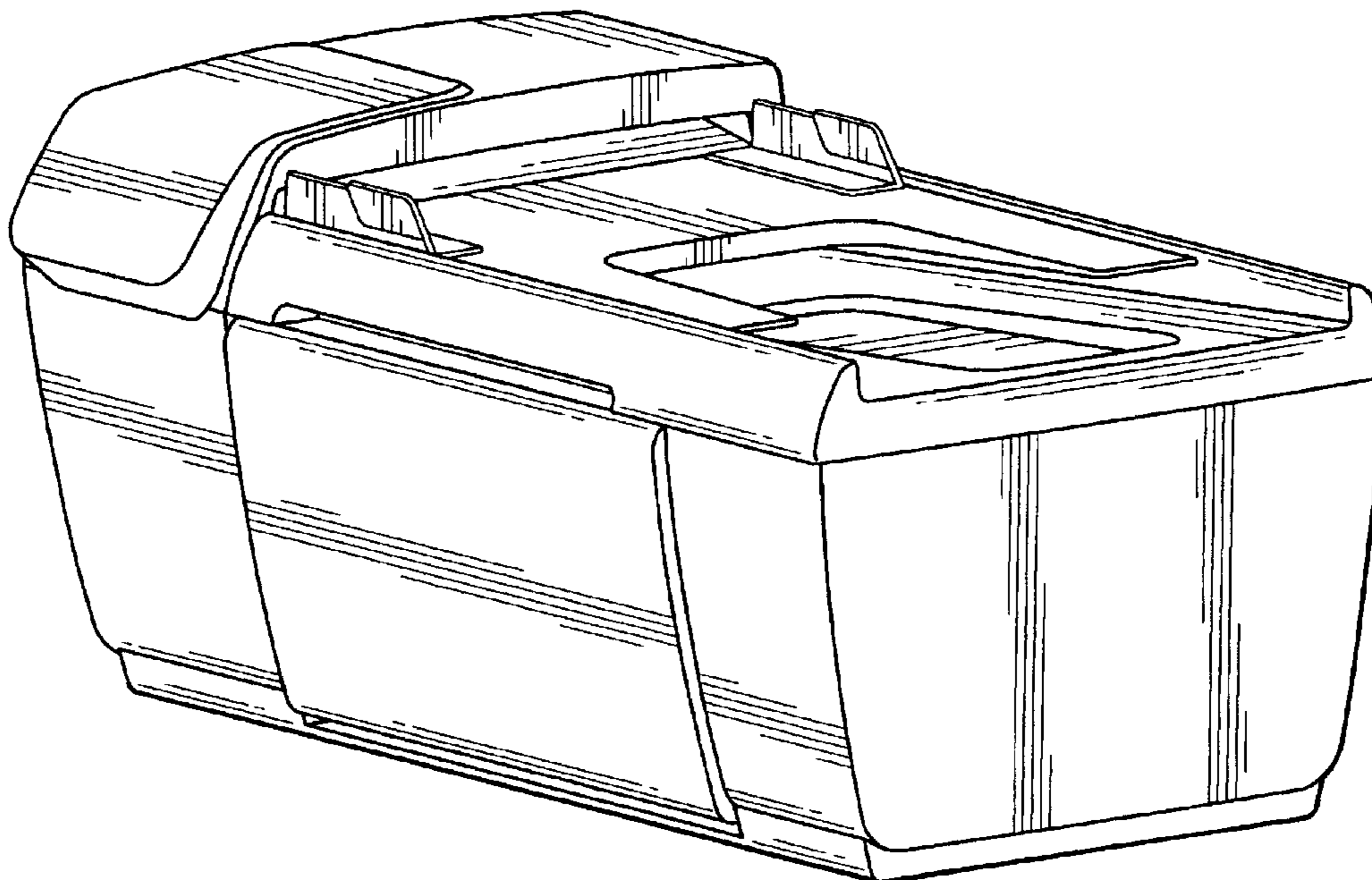
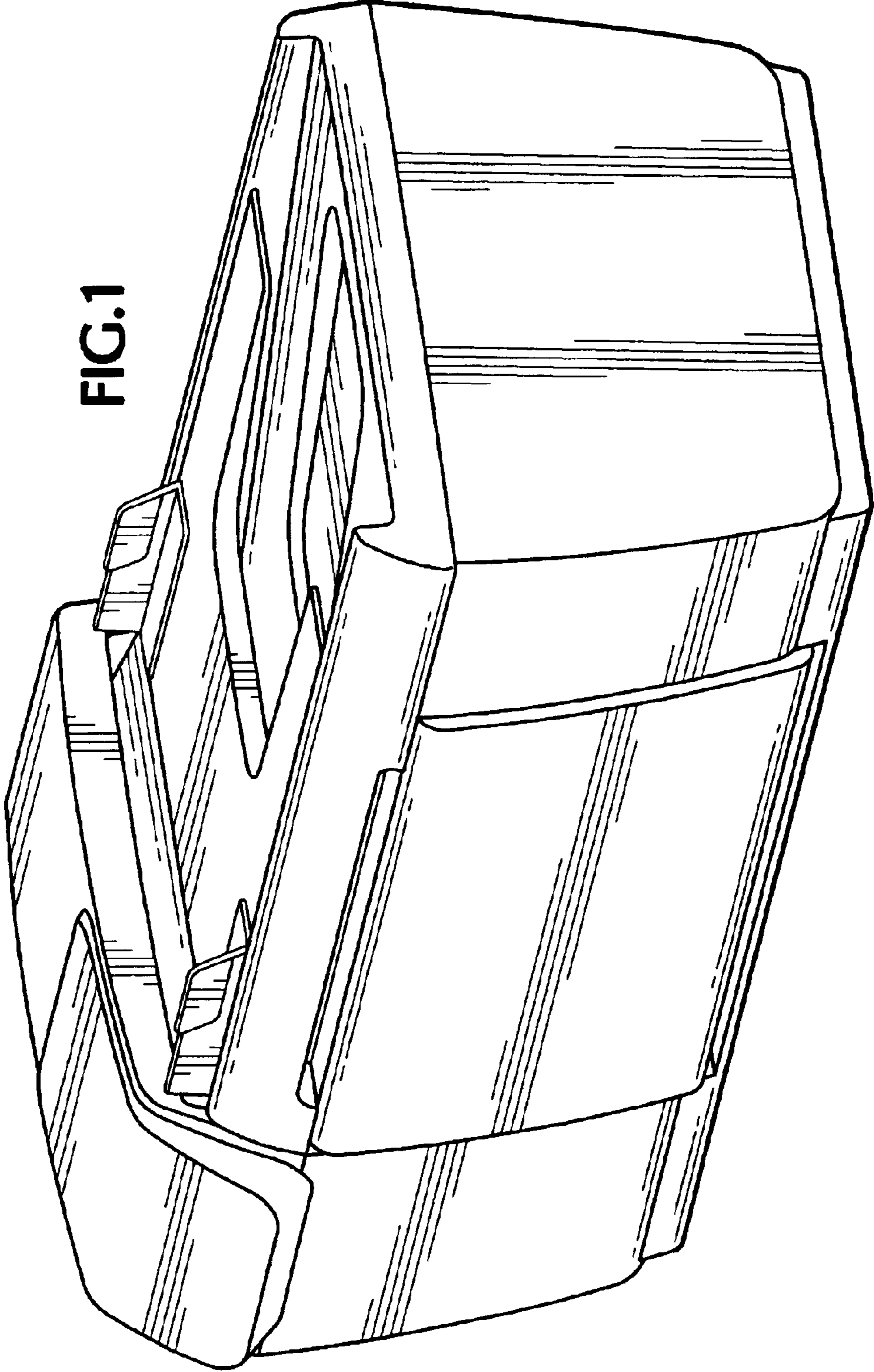


FIG.1



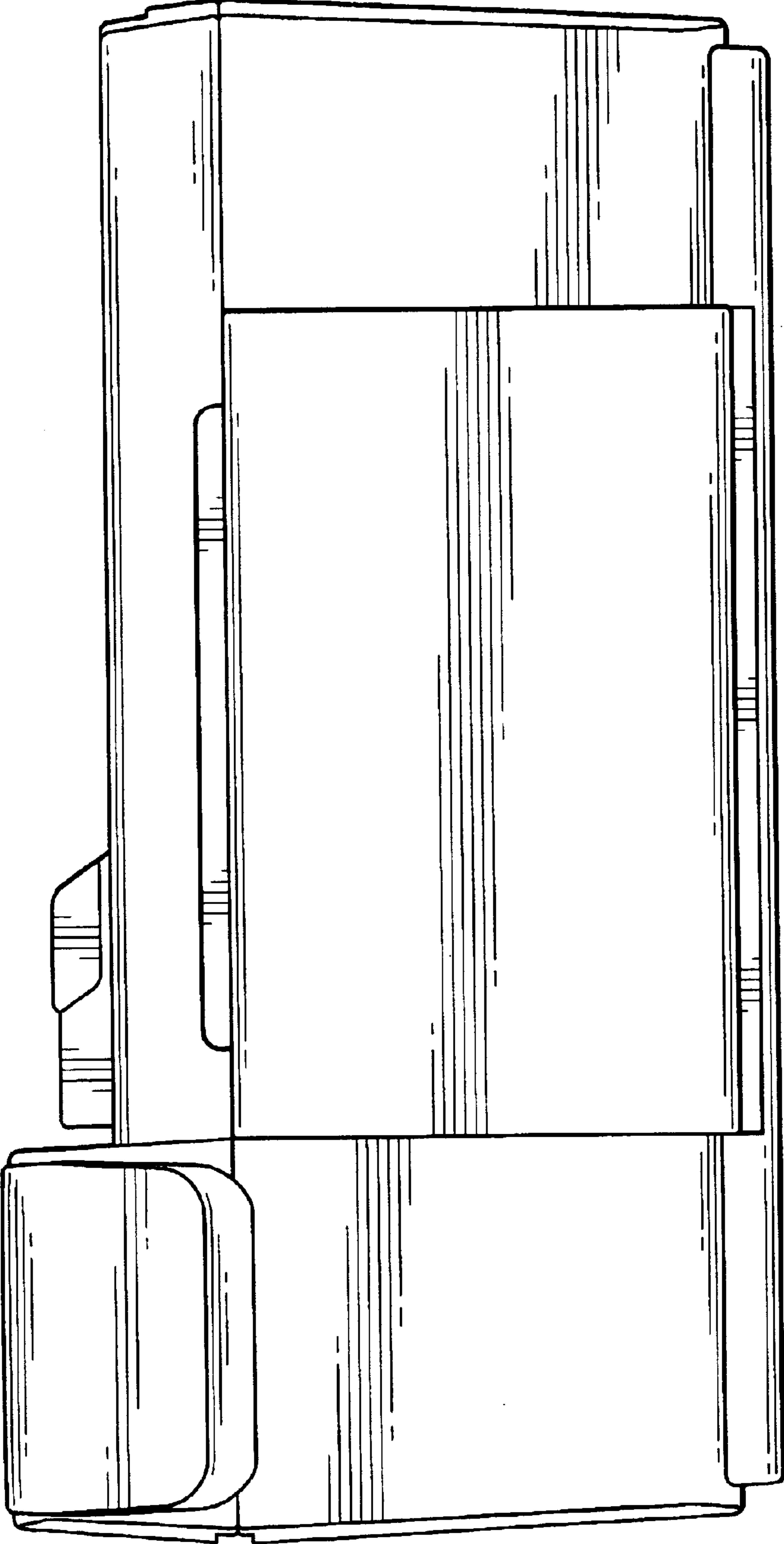


FIG.2

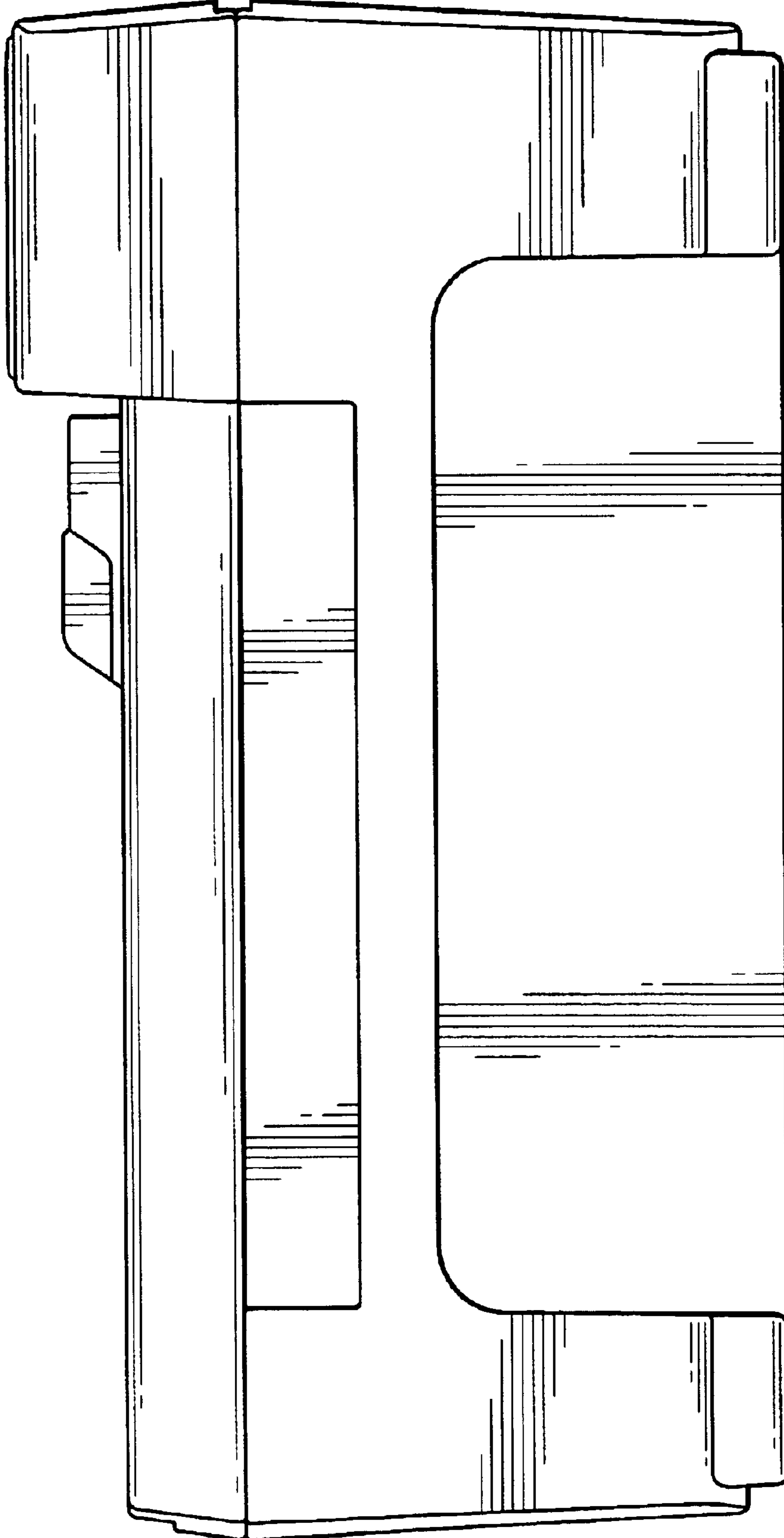
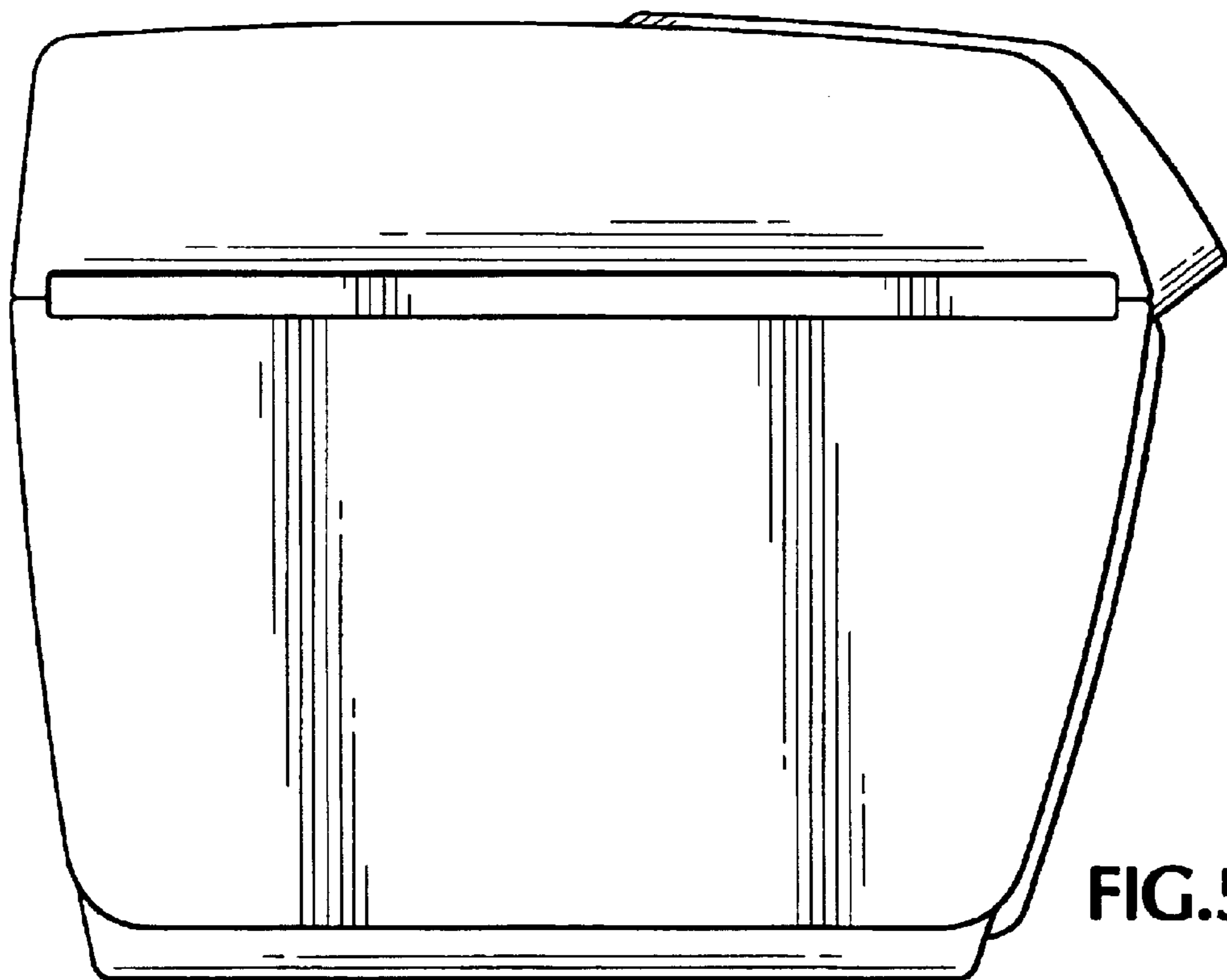
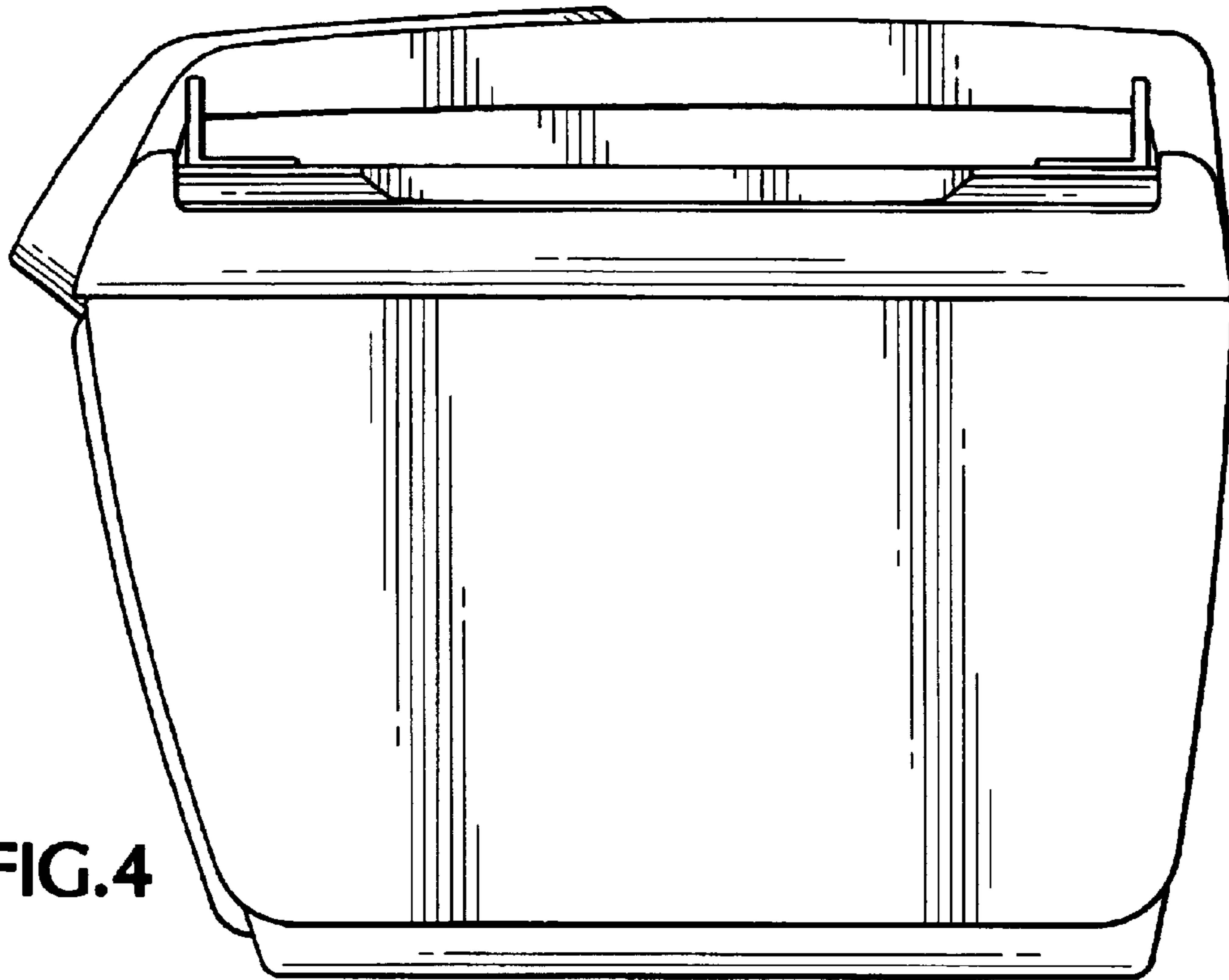


FIG.3



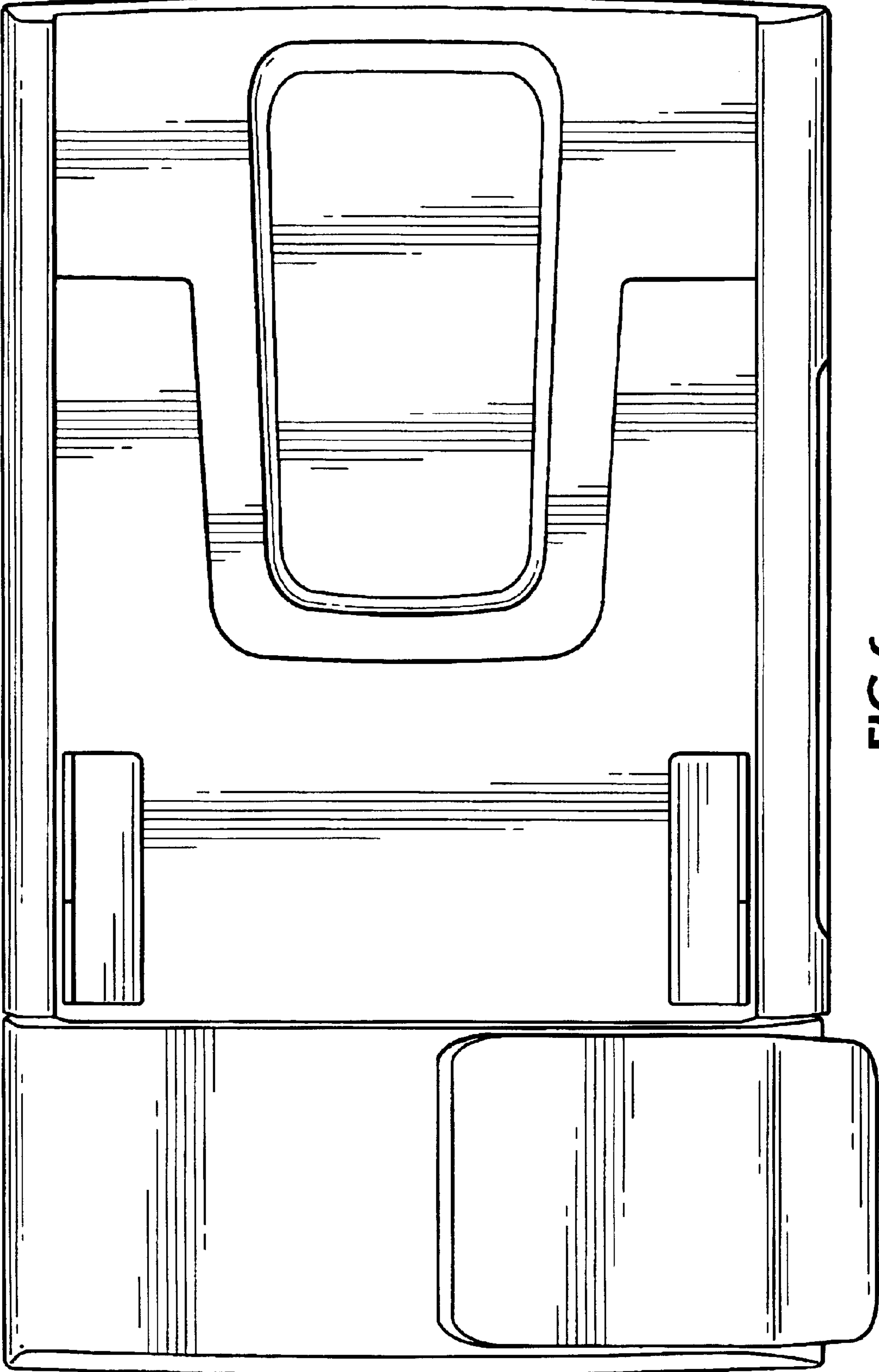


FIG.6

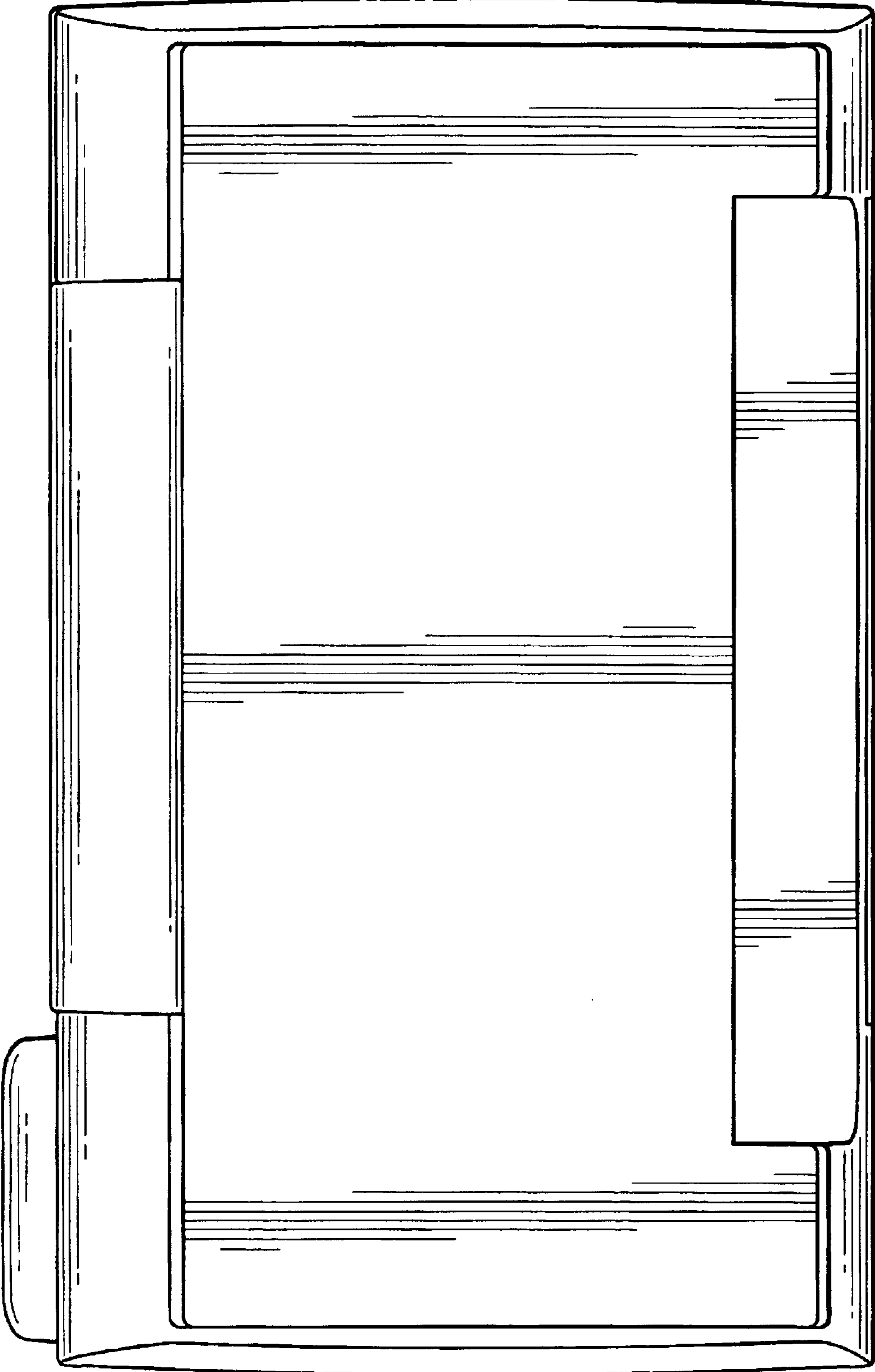


FIG.7