



US00D515128S

(12) **United States Design Patent**
Ishikawa et al.

(10) **Patent No.:** **US D515,128 S**
(45) **Date of Patent:** **** Feb. 14, 2006**

(54) **BOBBIN FOR HEAT TRANSFER PRINTING FILM**

5,433,393 A * 7/1995 Nishitani 242/160.4
D424,552 S * 5/2000 Mochizuki D14/484
D433,028 S * 10/2000 Mochizuki D14/484
D457,544 S * 5/2002 Salzsauler et al. D16/250

(75) Inventors: **Tetsuji Ishikawa, Kanuma (JP);
Tetsuya Abe, Kanuma (JP); Morio
Sekiguchi, Kanuma (JP)**

* cited by examiner

(73) Assignee: **Sony Chemicals Corp., Tokyo (JP)**

Primary Examiner—Adir Aronovich
(74) *Attorney, Agent, or Firm*—Oliff & Berridge PLC

(**) Term: **14 Years**

(57) **CLAIM**

(21) Appl. No.: **29/198,265**

The ornamental design for a bobbin for heat transfer printing film, as shown and described.

(22) Filed: **Jan. 28, 2004**

DESCRIPTION

(51) **LOC (8) Cl.** **16-04**

(52) **U.S. Cl.** **D16/250; D14/484**

(58) **Field of Classification Search** D14/481,
D14/483, 484; D15/78; D16/237, 250; 242/118.4,
242/118.61, 160.4; 396/521–514

FIG. 1 is a front view of a bobbin for heat transfer printing film, the rear view being a mirror image;
FIG. 2 is a plan view thereof, the bottom view being a mirror image;
FIG. 3 is a left side view thereof;
FIG. 4 is a right side view thereof;
FIG. 5 is a cross-sectional view thereof, taken along the line 5—5 of FIG. 1;
FIG. 6 is a perspective view thereof; and,
FIG. 7 is another perspective view thereof.

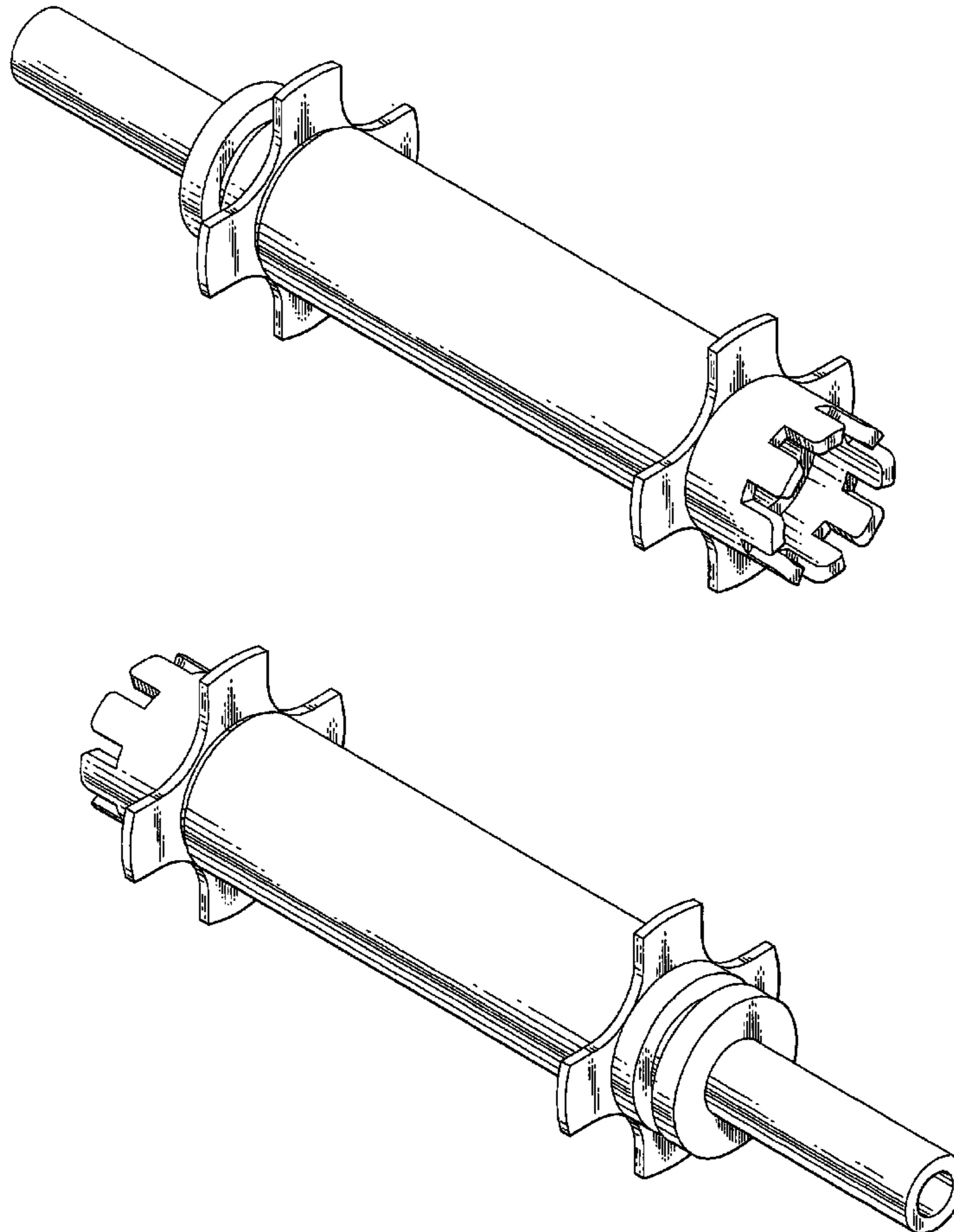
See application file for complete search history.

(56) **References Cited**

U.S. PATENT DOCUMENTS

D250,338 S * 11/1978 LaPierre D15/78
D342,942 S * 1/1994 Kotaki D14/483

1 Claim, 6 Drawing Sheets



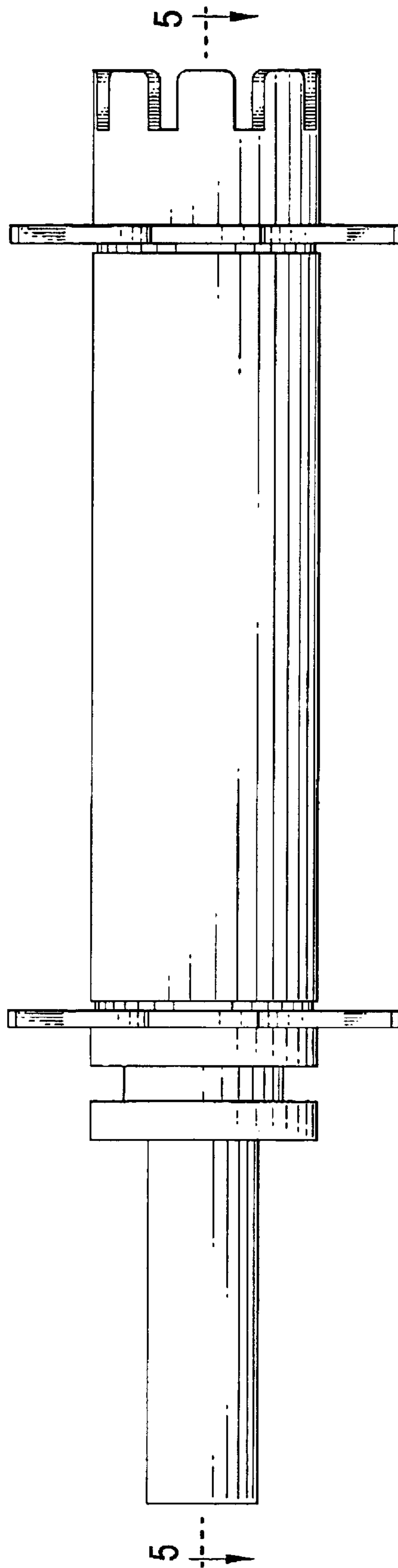


Fig. 1

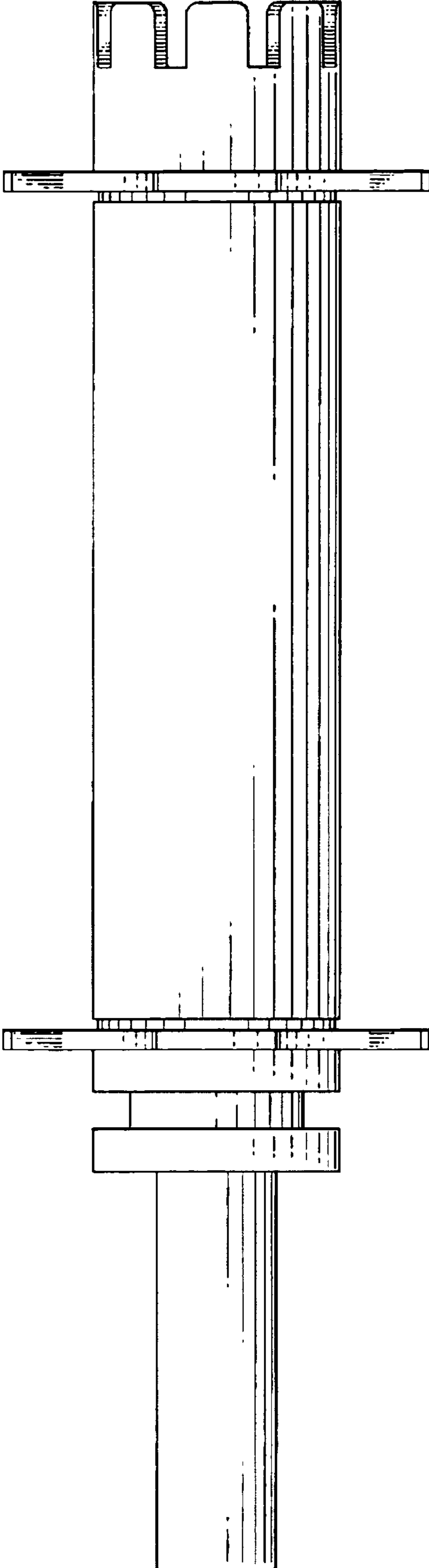


Fig. 2

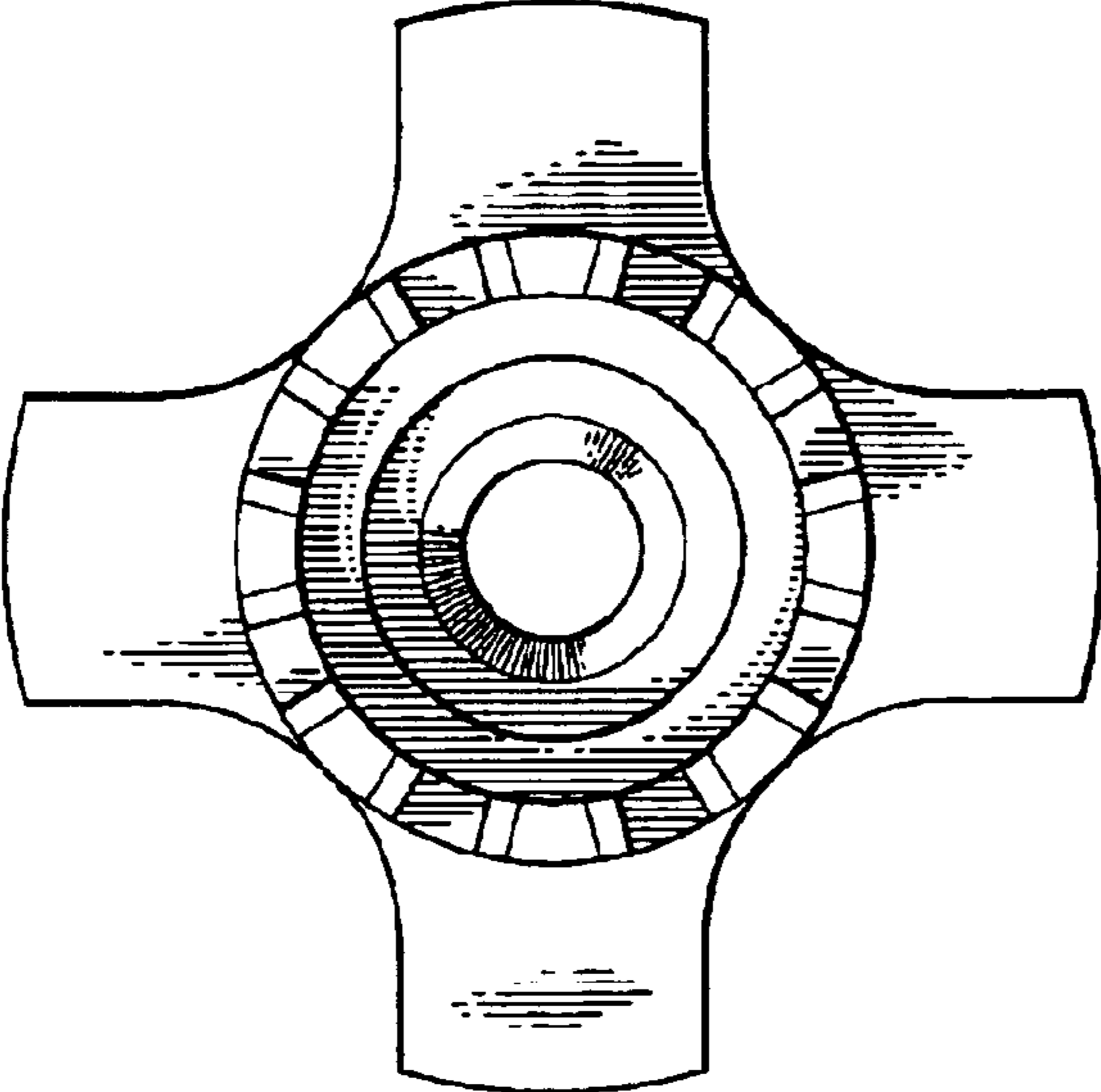


Fig. 4

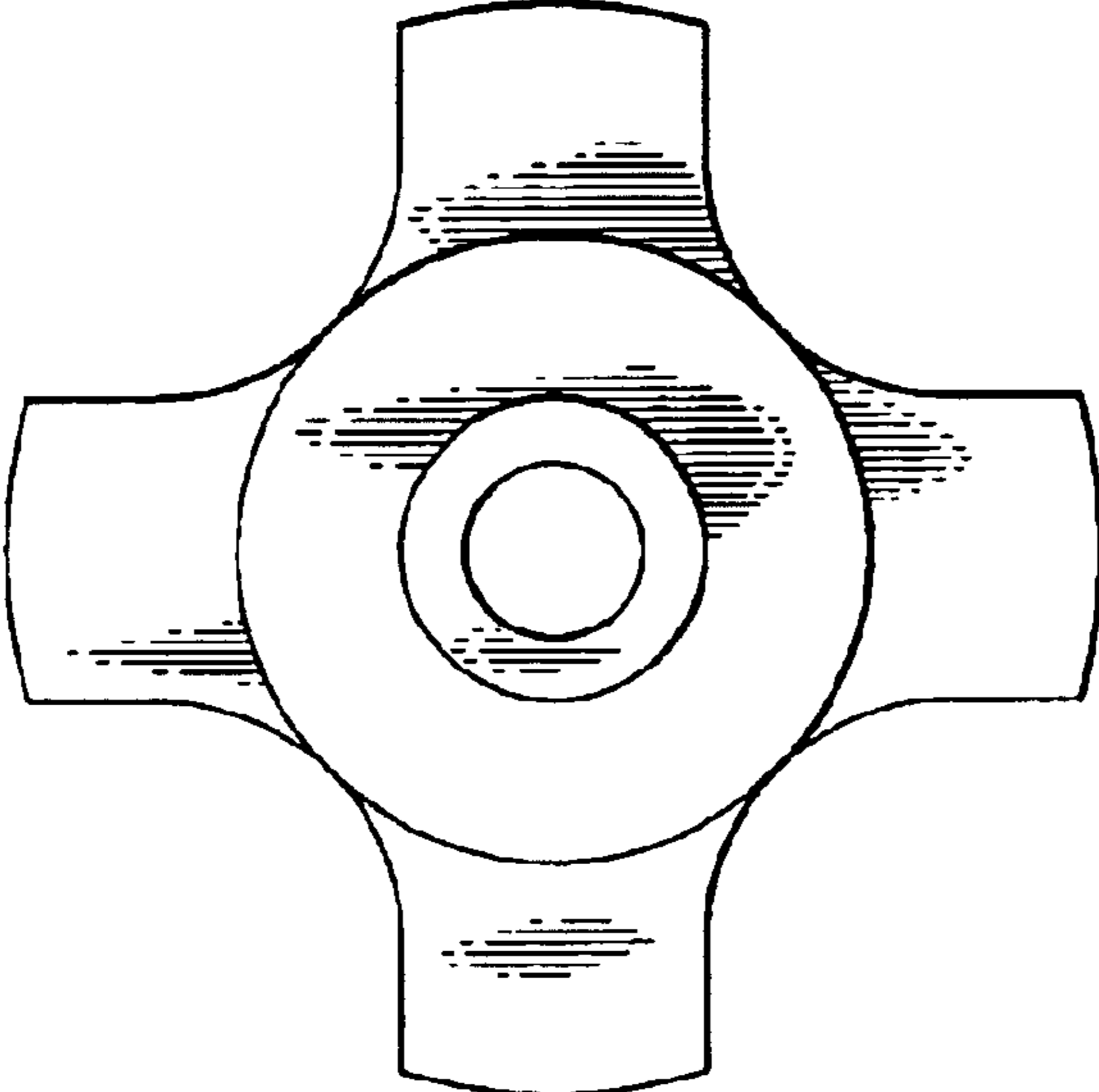


Fig. 3

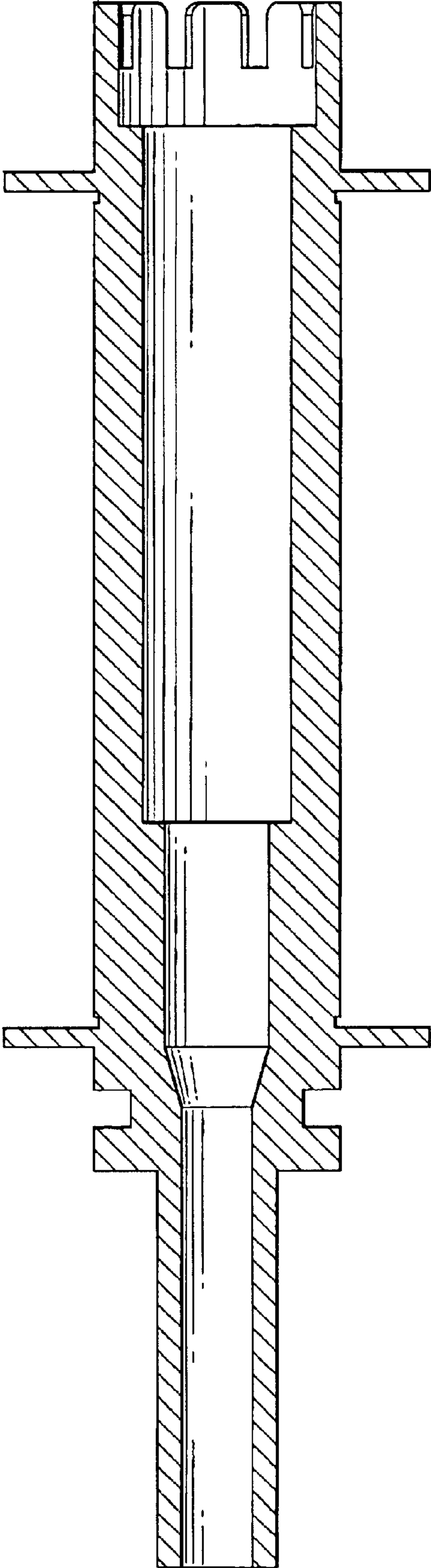


Fig. 5

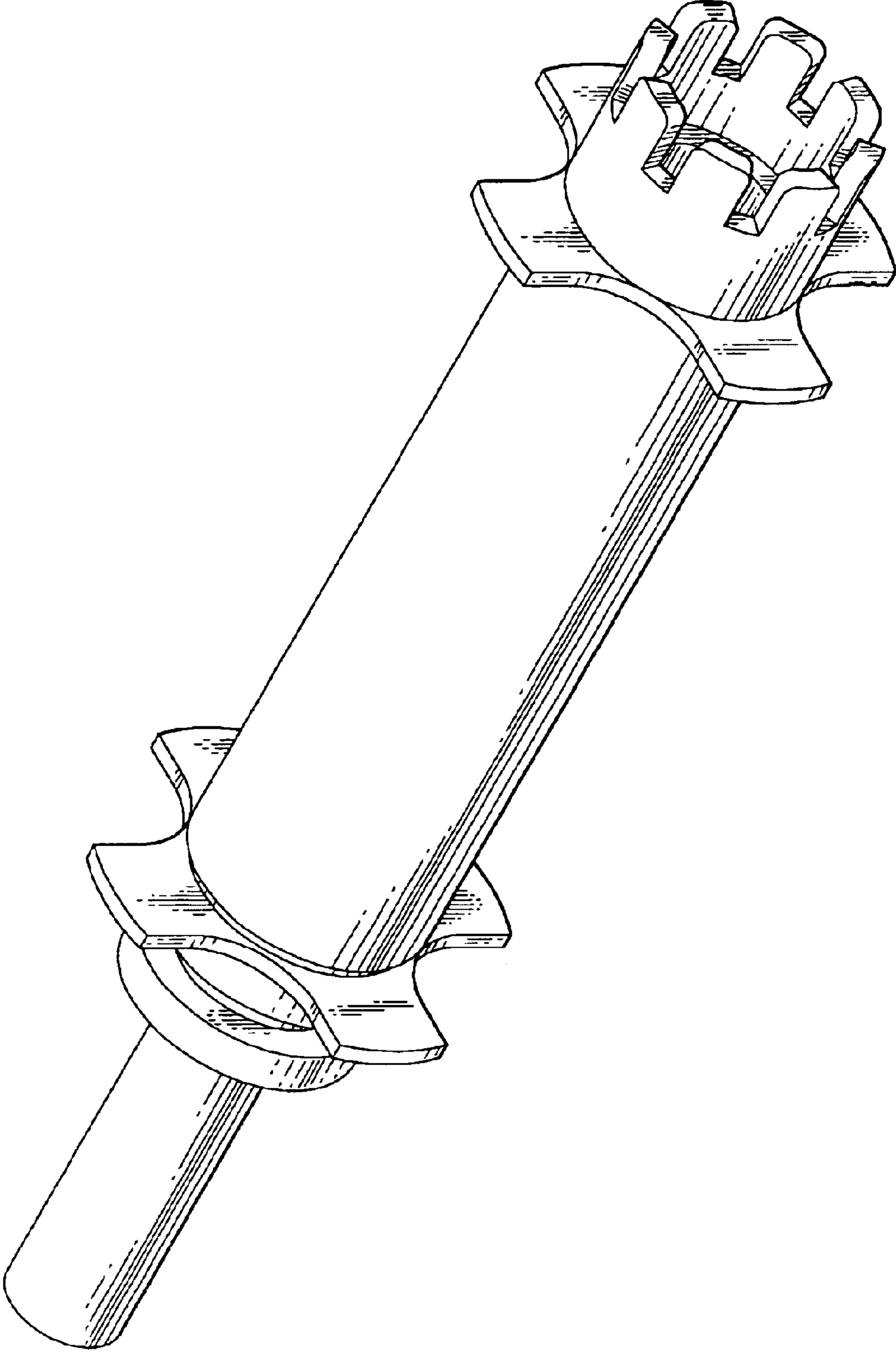


Fig. 6

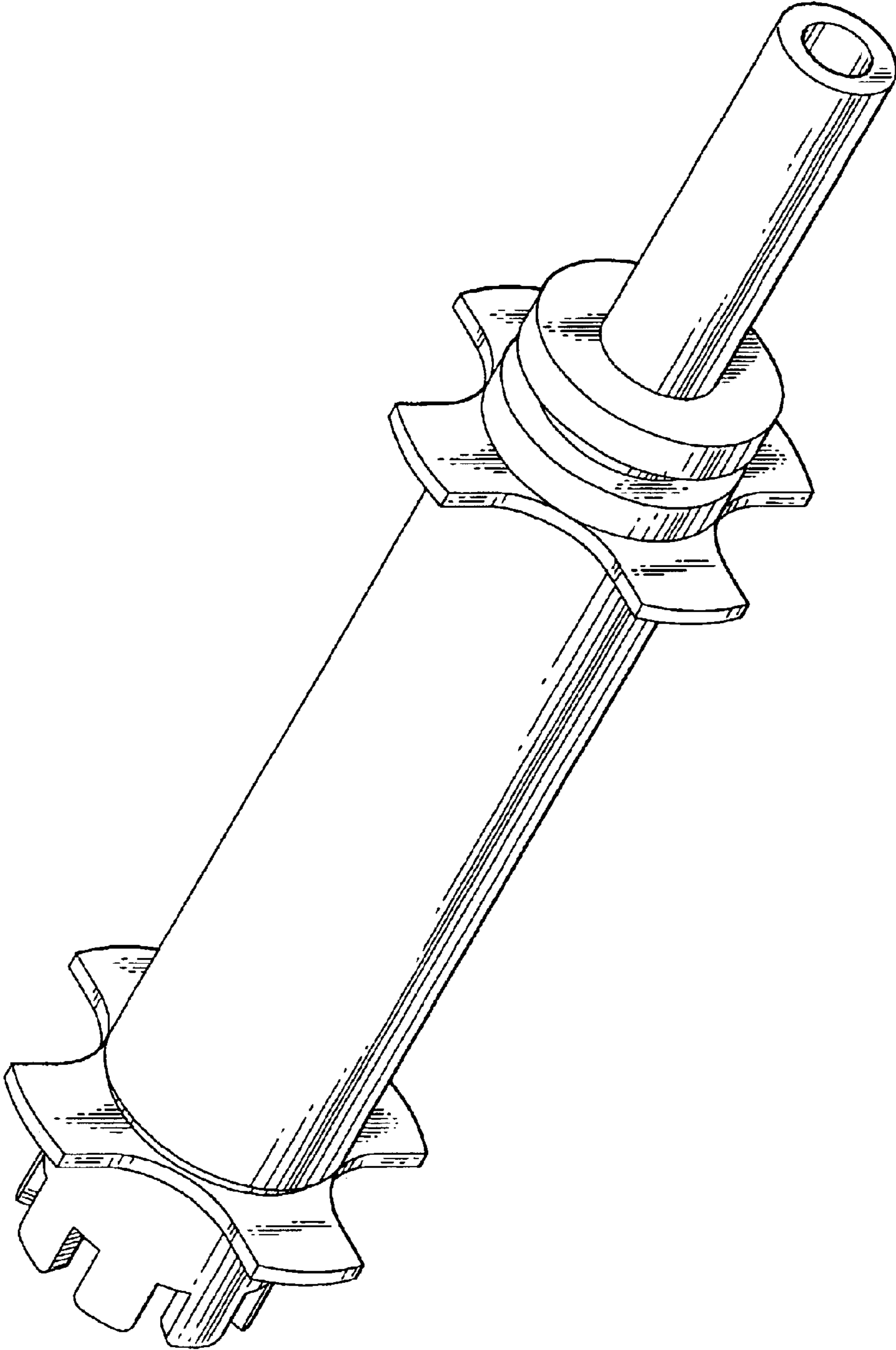


Fig. 7